



Gaze Acoustic | Round & Square

Surface Flush / Surface Standoff

INSTALLATION INSTRUCTIONS



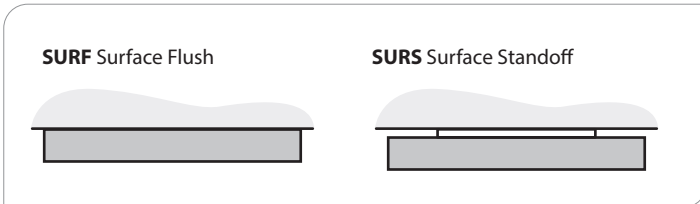
PRUDENTIAL LTG.

PRULITE.COM 213.746.0360

X1 — T-BAR

MAY REQUIRE TWO PEOPLE TO INSTALL

MOUNTING OPTIONS



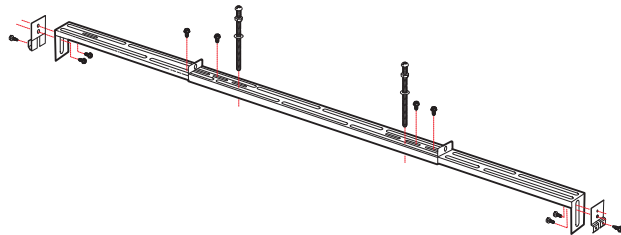
FIXTURE WEIGHTS:

	18"	24"	36"
ROUND LED	5.1lbs	6.5lbs	11.8lbs
SQUARE LED	6.1lbs	7.6lbs	13.9lbs

PART	PART NO.	DESCRIPTION	QTY
	100-00054-20	Nylon Spacer (SURFACE STANDOFF ONLY)	ALL RD & 18" SQ: 4 24" & 36" SQ: 6
	138864	Safety Cable Clip	2
	100-00255-14	1/4-20 KEPS Nut	ALL RD & 18" SQ: 4 24" & 36" SQ: 6

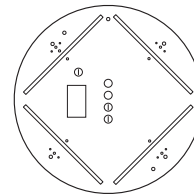
T-BAR MOUNTING RAIL ASSEMBLY:

101962	2
--------	---

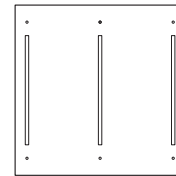


	100-00283-14	1/4-20 x 5" Round Hd. MS SL Type F	ALL RD & 18" SQ: 4 24" & 36" SQ: 6
	100-00165-14	1/4-20 Hex Nut	ALL RD & 18" SQ: 4 24" & 36" SQ: 6
	100-00008-14	1/4 x 1/2 Washer	ALL RD & 18" SQ: 4 24" & 36" SQ: 6
	100-00086-14	#6 x 3/8" Tek Screw	ALL RD & 18" SQ: 4 24" & 36" SQ: 6

SURFACE MOUNT TOP PLATE (INCLUDED WITH FIXTURE):



111584	18"		1
138866	24"	Round	1
138867	36"		1



139266	18"		1
138868	24"	Square	1
138869	36"		1





Gaze Acoustic | Round & Square

Surface Flush / Surface Standoff



PRUDENTIAL LTG.

PRULITE.COM 213.746.0360

INSTALLATION INSTRUCTIONS

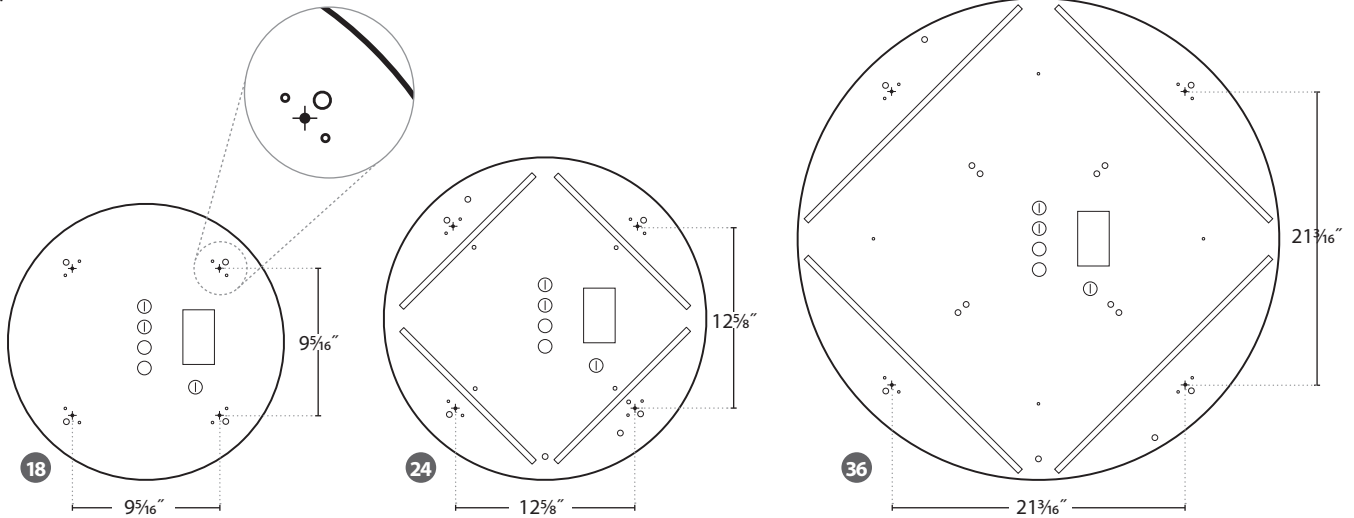
X1 — T-BAR

MAY REQUIRE TWO PEOPLE TO INSTALL

MOUNTING LOCATIONS

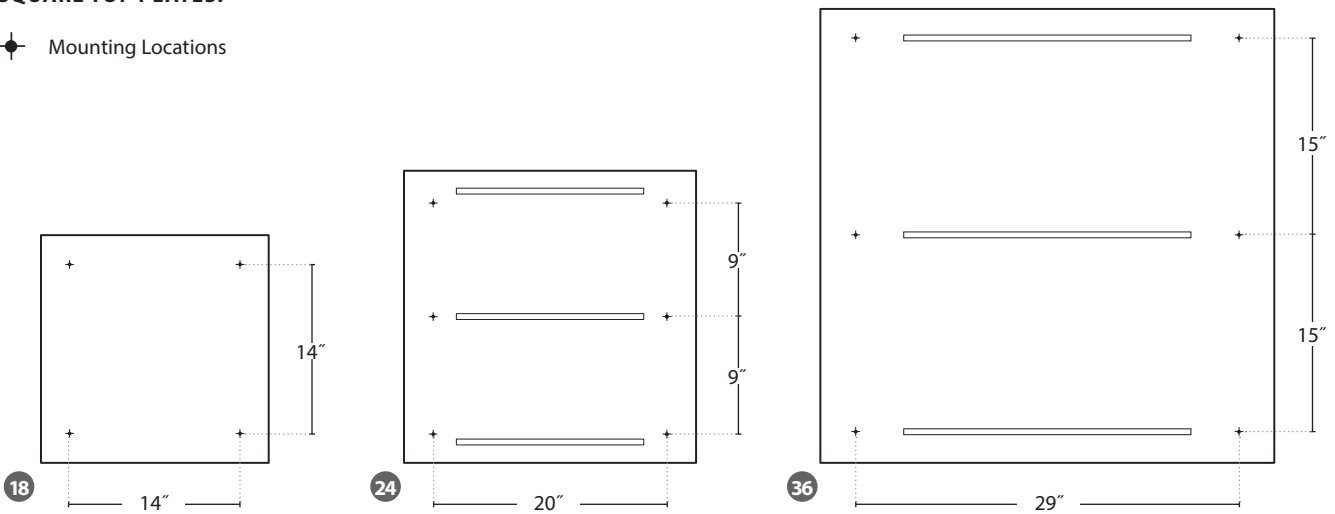
ROUND TOP PLATES:

Mounting Locations



SQUARE TOP PLATES:

Mounting Locations





Gaze Acoustic | Round & Square

Surface Flush / Surface Standoff



PRUDENTIAL LTG.

PRULITE.COM 213.746.0360

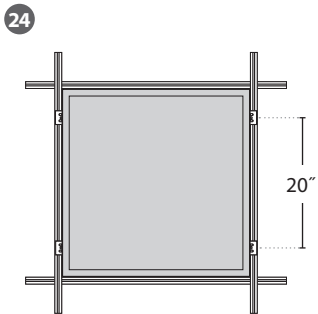
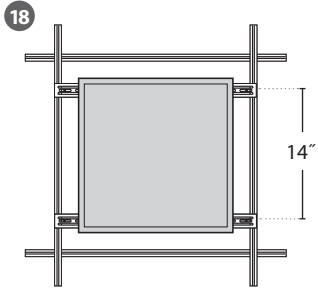
INSTALLATION INSTRUCTIONS

X1 — T-BAR

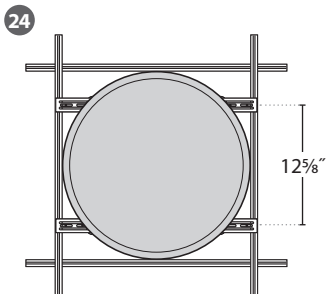
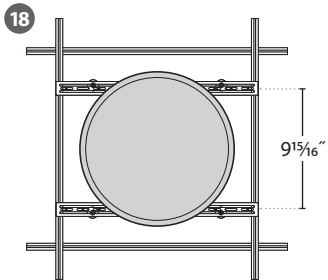
MAY REQUIRE TWO PEOPLE TO INSTALL

2x2 OFF GRID MOUNTING

SQUARE

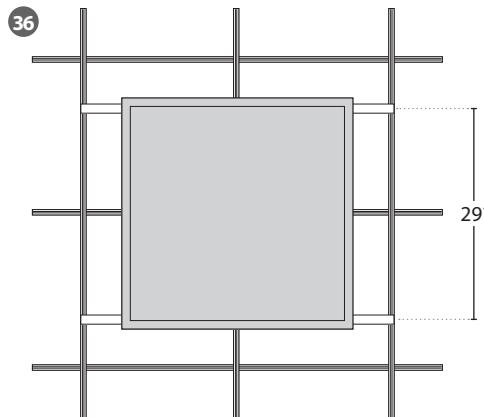
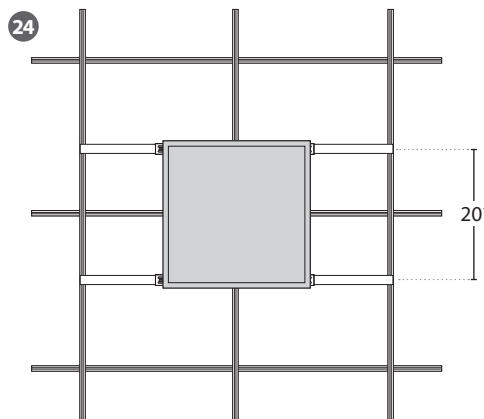
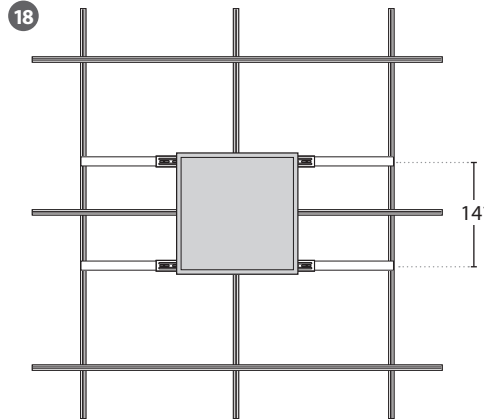


ROUND

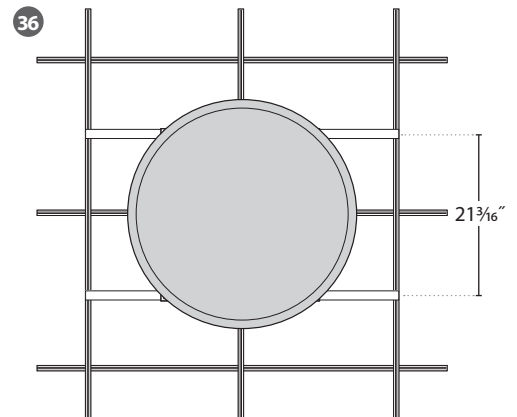
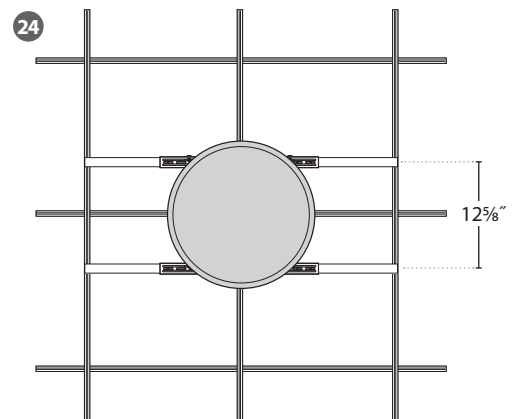
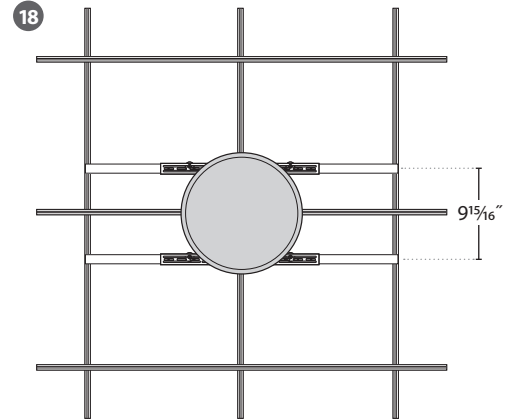


2x2 ON GRID MOUNTING

SQUARE



ROUND





Gaze Acoustic | Round & Square

Surface Flush / Surface Standoff

INSTALLATION INSTRUCTIONS



PRUDENTIAL LTG.

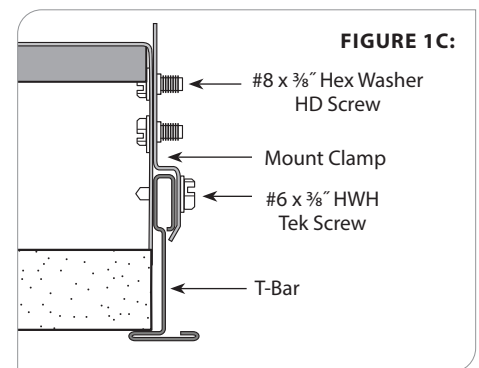
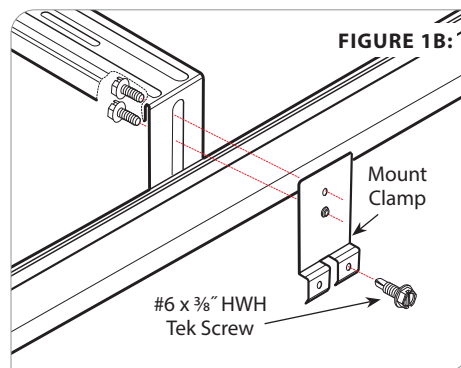
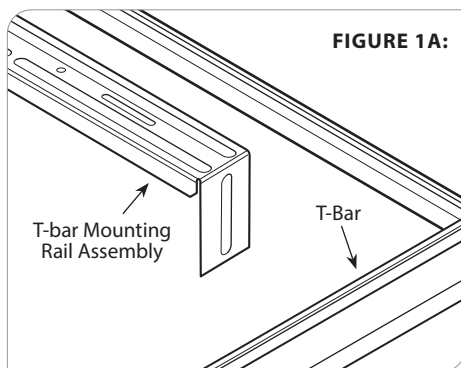
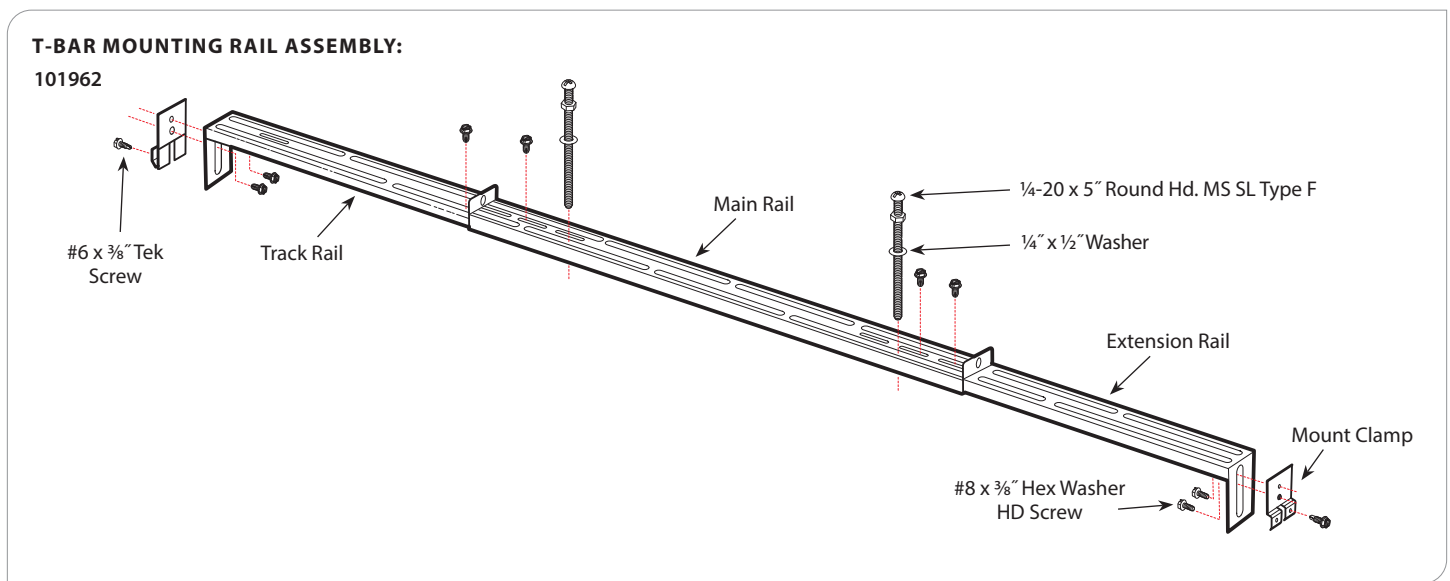
PRULITE.COM 213.746.0360

X1 — T-BAR

⚠️ MAY REQUIRE TWO PEOPLE TO INSTALL

INSTALLATION

1. Use mounting dimensions provided to layout mounting location on installed ceiling tiles
2. Drill (4x) $\frac{3}{8}$ " holes in ceiling tiles to match mounting dimensions provided.
3. Extend t-bar mounting rail assembly to fit t-bar grid (#8 x $\frac{3}{8}$ " Hex Washer HD Screws may need to be removed to expand rails, figures 1A & 1B).
4. Remove mount clamps from T-Bar Mounting Rail Assembly. Place t-bar mounting rail assembly against inner wall of t-bar.
5. Secure assembly to t-bar with clamps (figures 1B & 1C).
6. Drive #6 x $\frac{3}{8}$ " Tek Screws through clamp and t-bar.





Gaze Acoustic | Round & Square Surface Flush / Surface Standoff



PRUDENTIAL LTG.

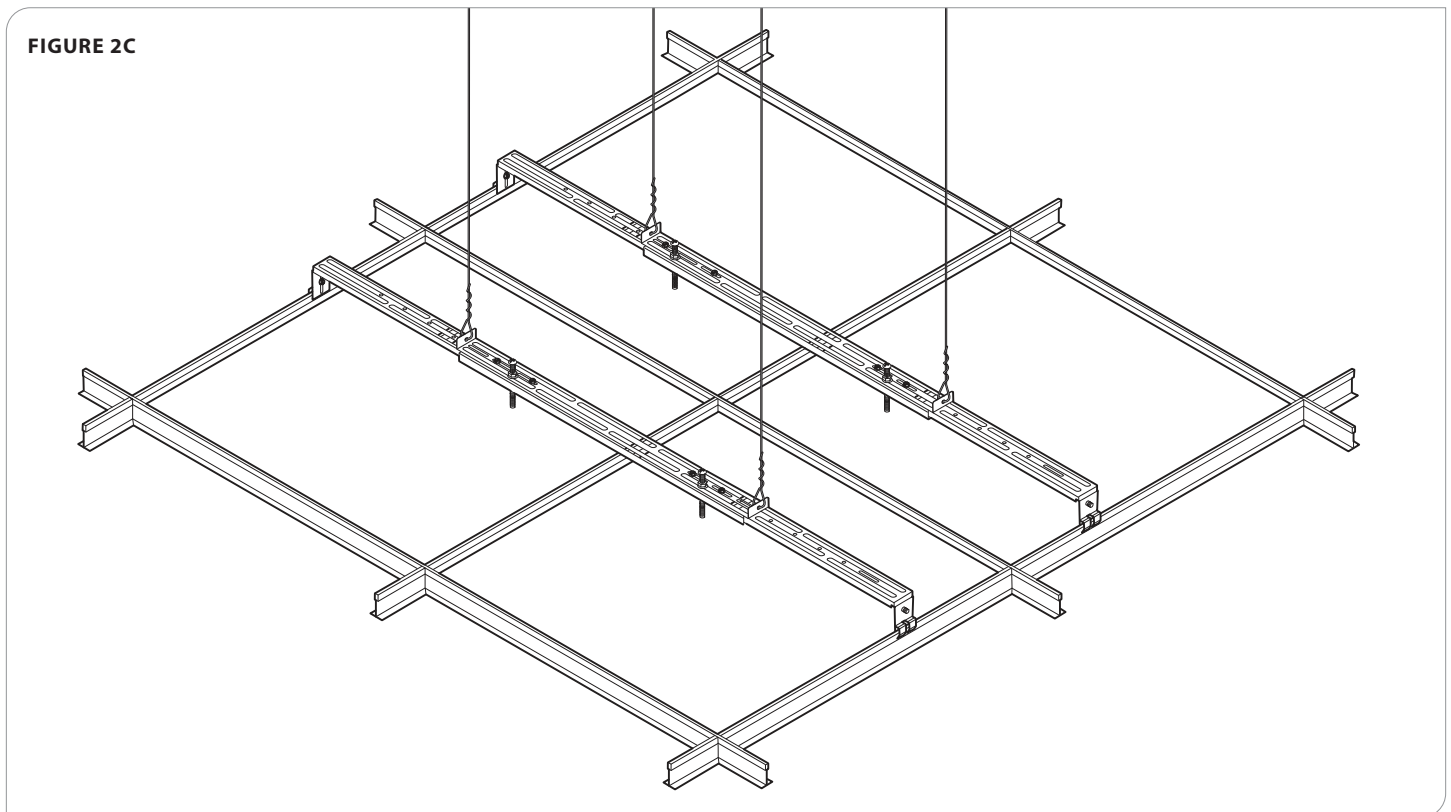
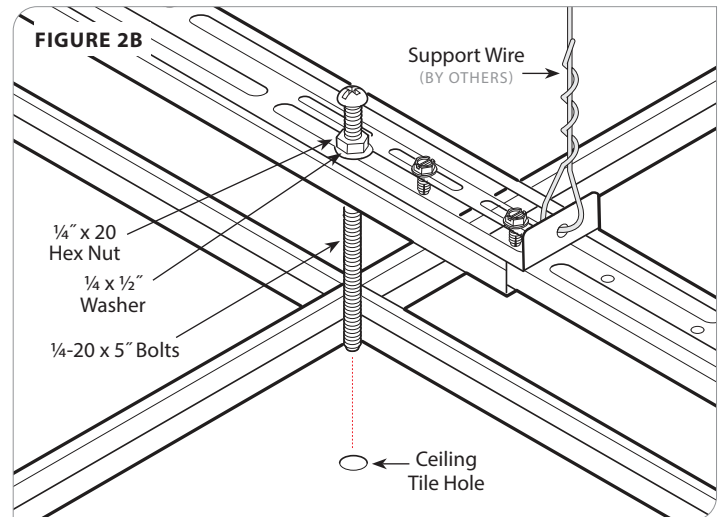
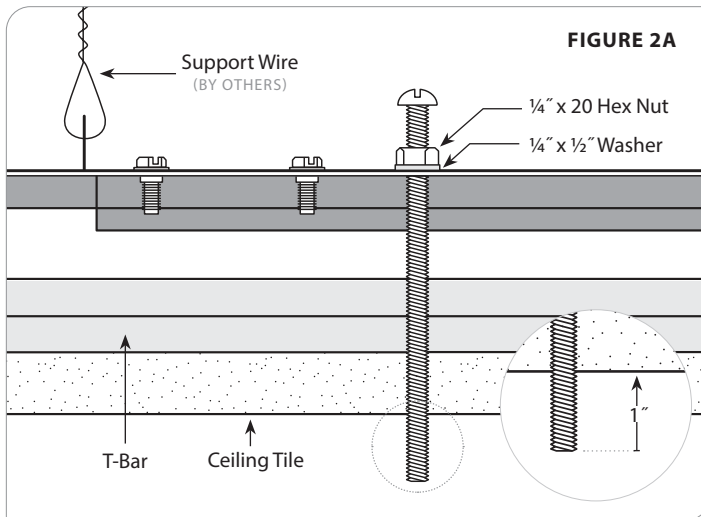
PRULITE.COM 213.746.0360

INSTALLATION INSTRUCTIONS

X1 — T-BAR

MAY REQUIRE TWO PEOPLE TO INSTALL

- Place (4) 1/4-20 x 5" bolts to t-bar mounting rail assembly. Be sure bolts are aligned with hole pattern cut in ceiling tiles (figures 2b & 2c).
- Be sure bolts protrude through ceiling by 1" to properly support top plate (figure 2A).
- Tie t-bar mounting rail assemblies to structure above (figures 2A, 2B & 2C).





Gaze Acoustic | Round & Square

Surface Flush / Surface Standoff



PRUDENTIAL LTG.

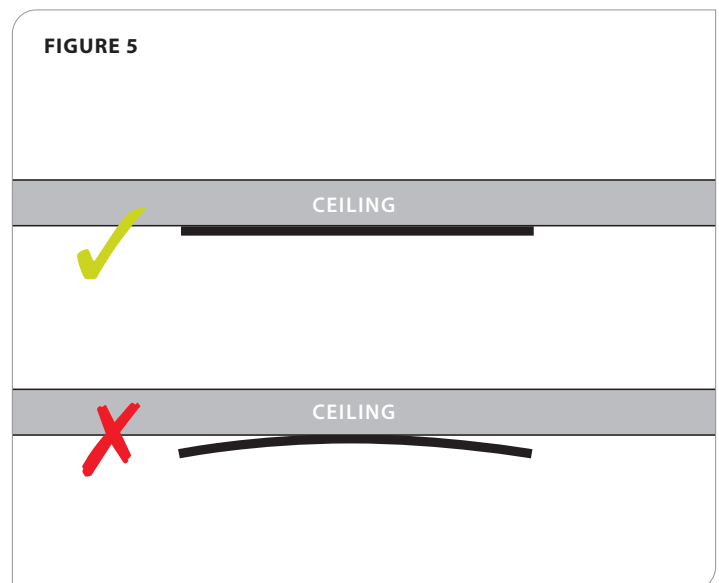
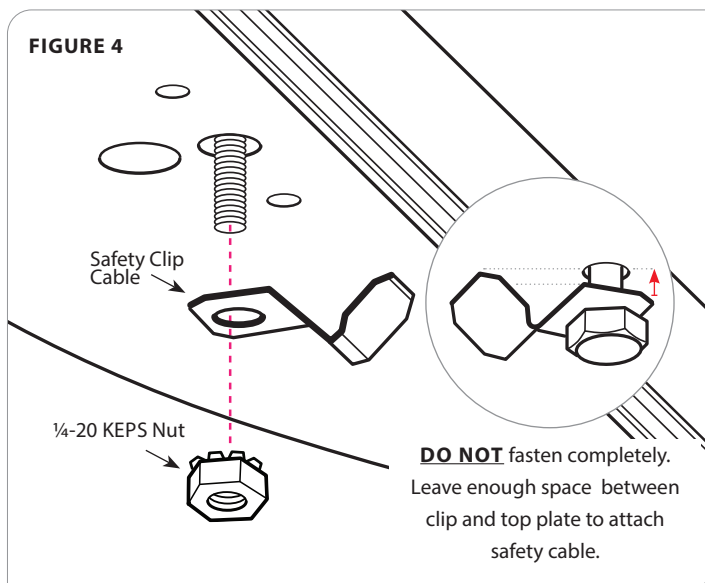
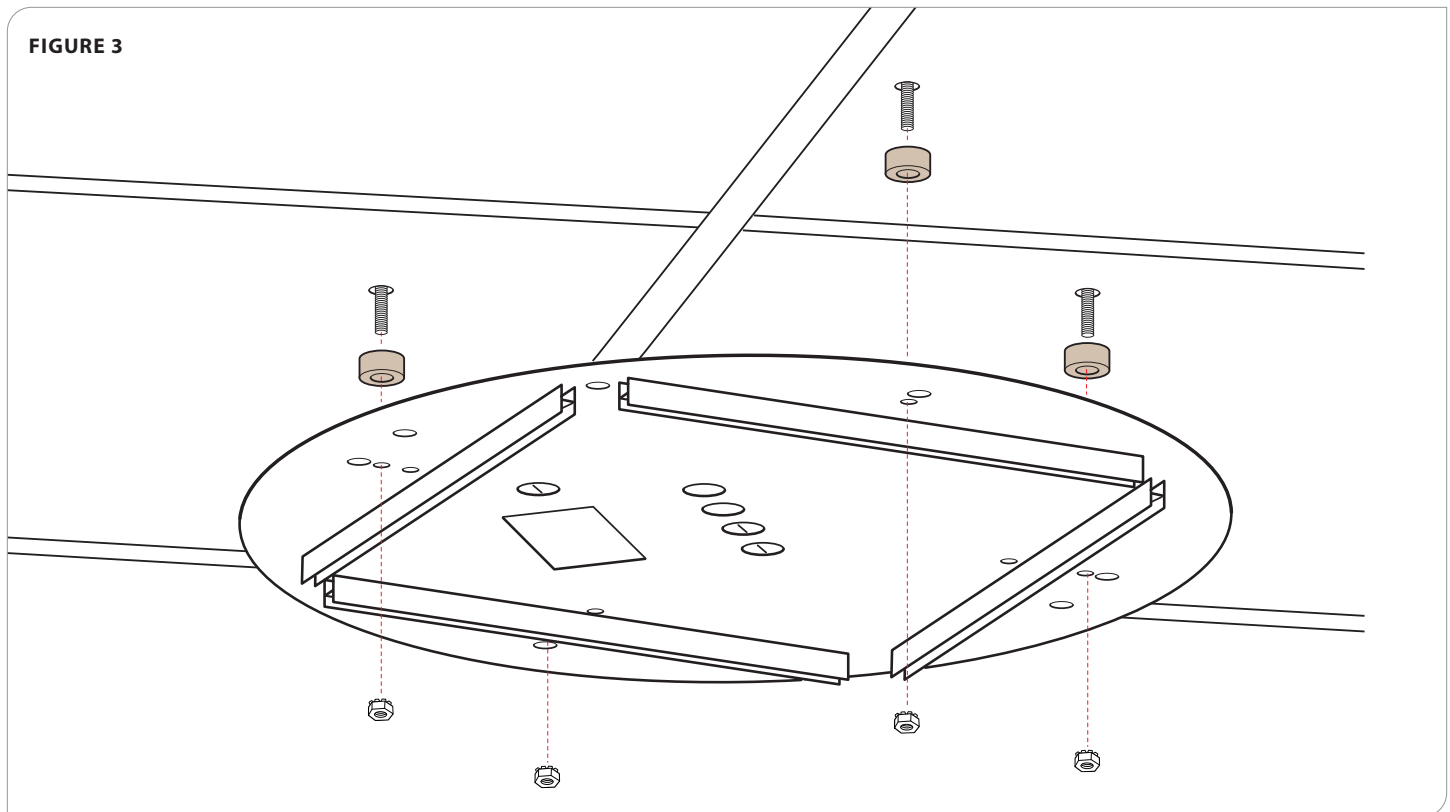
PRULITE.COM 213.746.0360

INSTALLATION INSTRUCTIONS

X1 — T-BAR

MAY REQUIRE TWO PEOPLE TO INSTALL

10. Mount top plate to ceiling in two opposite locations (figure 3).
11. Attach safety cable clips (2x) through remaining open mounting locations (figure 4).
12. Make visual inspection of top plate to ensure it is installed flat. Uneven areas could cause poor fixture attachment (figure 5).





Gaze Acoustic | Round & Square Surface Flush / Surface Standoff

INSTALLATION INSTRUCTIONS



PRUDENTIAL LTG.

PRULITE.COM 213.746.0360

X1 — T-BAR

MAY REQUIRE TWO PEOPLE TO INSTALL

13. Hang fixture with two safety cables and tighten fasteners (figures 6).
14. Make final installation by aligning one edge of fixture with edge of top plate. Pivot fixture up until all magnets are engaged. Be sure perimeter of top plate is seated into fixture frame (figure 7).

