



Gaze Acoustic | Round & Square

CAX Cable Mount

INSTALLATION INSTRUCTIONS

X3 — HARD CEILING



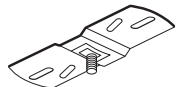
PRUDENTIAL LTG.

PRULITE.COM 213.746.0360

MAY REQUIRE TWO PEOPLE TO INSTALL

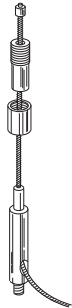
PART	PART NO.	DESCRIPTION	QTY
	100-00006-08	5½" Ø NPF Canopy (1 Hole) (CAX - NON POWERED)	4

MOUNTING STRAP KIT:



19031	Mounting Strap ¼-20 x 5/8" Pan Head Bolt ¼-20 Speed Nut	4
-------	---	---

SUPPORT CABLE:



100-00039-08	53"		
100-00085-08	100"	Support Cable & Crimp ¼-20 Coupler & Ring Adjustable Glider	4
100-00042-08	200"		

FIXTURE WEIGHTS:

	18"	24"	36"
ROUND LED	5.1lbs	6.5lbs	11.8lbs
SQUARE LED	6.1lbs	7.6lbs	13.9lbs





Gaze Acoustic | Round & Square

CAX Cable Mount

INSTALLATION INSTRUCTIONS



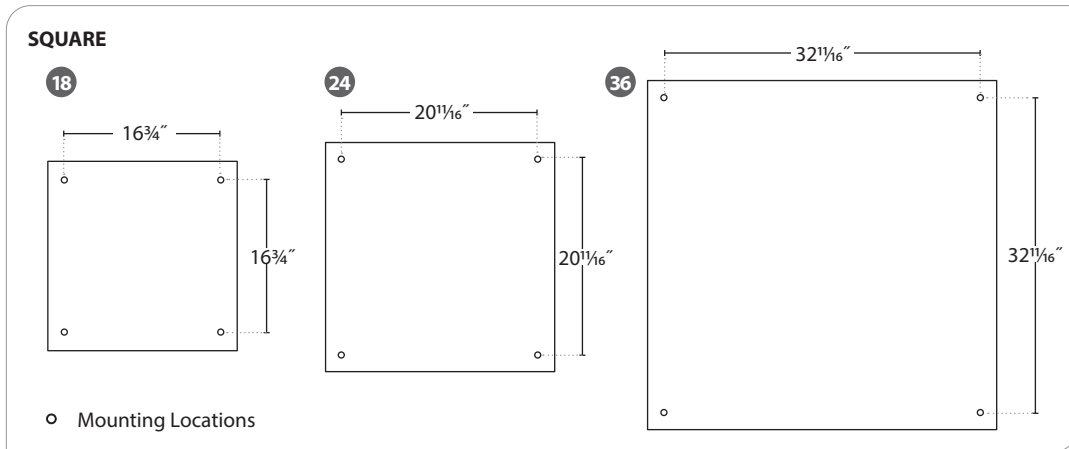
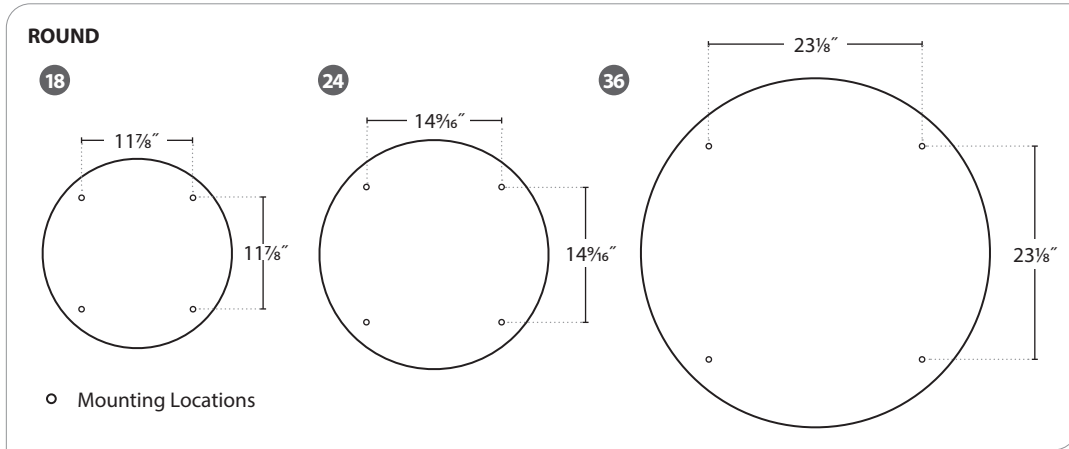
PRUDENTIAL LTG.

PRULITE.COM 213.746.0360

X3 — HARD CEILING

MAY REQUIRE TWO PEOPLE TO INSTALL

CABLE MOUNTING DIMENSIONS





INSTALLATION INSTRUCTIONS

X3 — HARD CEILING

⚠️ MAY REQUIRE TWO PEOPLE TO INSTALL

INSTALLATION

1. Insert non-crimped end of support cable through top threaded end of 1/4-20 coupler. Pull cable until crimp stops inside threaded end of coupler.
2. Push non-crimped end of cable through top (smooth end adjustable glider). Insert cable completely through glider. Glider will engage by pressing top smooth end down. Hold in place and pull back for adjustment.
3. Thread adjustable glider into weld nut located on top plate of light fixture.
4. Unscrew threaded ring from top of 1/4-20 coupler. Insert 1/4-20 coupler through 1 3/32" diameter center hole on canopy and let threaded ring and canopy rest on fixture end. Lift coupling/cable to ceiling with fixture attached and thread 1/4-20 coupler onto 1/4-20 x 5" mounting strap bolt fastened to ceiling structure. Adjust cable to required distance from ceiling surface. Lift canopy against ceiling surface and secure in place with threaded ring.
5. Once fixture is level and at it's permanent mounting position, trim excess cable.

CAUTION: Do not remove crimp from cable. Crimps are factory pressed onto cable for maximum strength. Prudential Lighting will not be responsible for damage or injuries which occur due to cable/crimp alterations. If different cable lengths are required, contact Prudential Lighting immediately.

