



Gaze Acoustic | Round & Square CAX Cable Mount

INSTALLATION INSTRUCTIONS



PRUDENTIAL LTG.

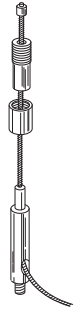
PRULITE.COM 213.746.0360

X1 — T-BAR

MAY REQUIRE TWO PEOPLE TO INSTALL

PART	PART NO.	DESCRIPTION	QTY
	100-00078-07	2" Ø Canopy (1 Hole) (CAX - NON POWERED)	4

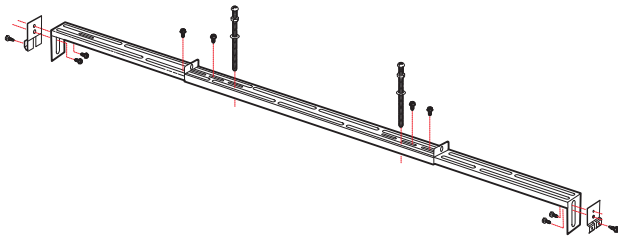
SUPPORT CABLE:



100-00039-08	53"	Support Cable & Crimp	4
100-00085-08	100"	¼-20 Coupler & Ring Adjustable Glider	4
100-00042-08	200"		4

T-BAR MOUNTING RAIL ASSEMBLY:

101962			2
--------	--	--	---



	100-00283-14	¼-20 x 5" Round Hd. MS SL Type F	4
	100-00165-14	¼-20 Hex Nut	4
	100-00008-14	¼" x ½" Washer	4
	100-00086-14	#6 x ¾" Tek Screw	4

FIXTURE WEIGHTS:

	18"	24"	36"
ROUND LED	5.1lbs	6.5lbs	11.8lbs
SQUARE LED	6.1lbs	7.6lbs	13.9lbs





Gaze Acoustic | Round & Square

CAX Cable Mount

INSTALLATION INSTRUCTIONS



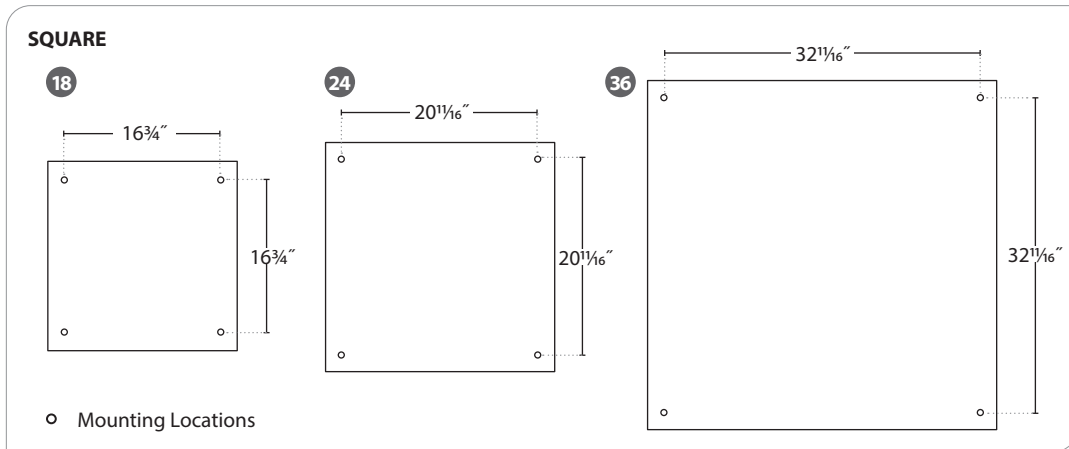
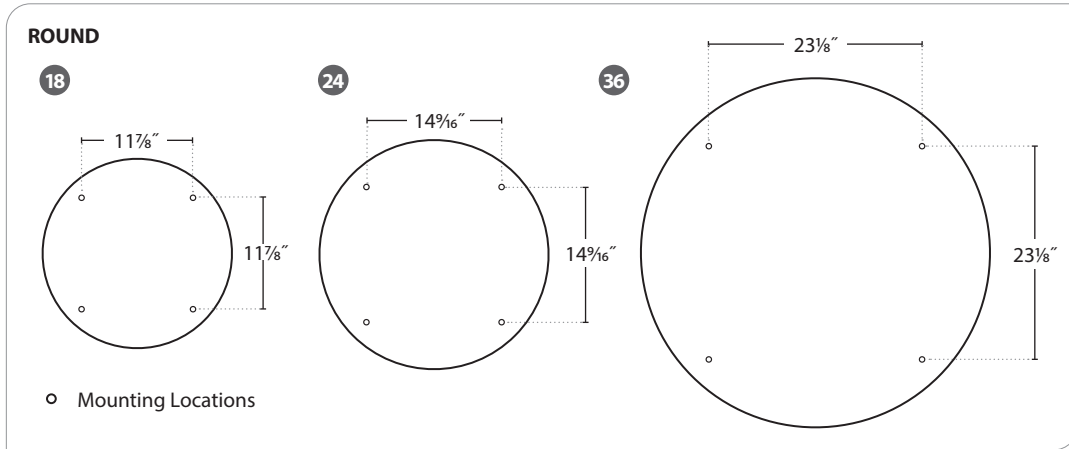
PRUDENTIAL LTG.

PRULITE.COM 213.746.0360

X1 — T-BAR

MAY REQUIRE TWO PEOPLE TO INSTALL

CABLE MOUNTING DIMENSIONS





Gaze Acoustic | Round & Square

CAX Cable Mount

INSTALLATION INSTRUCTIONS



PRUDENTIAL LTG.

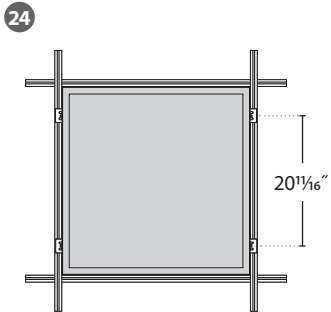
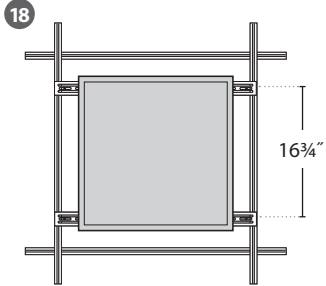
PRULITE.COM 213.746.0360

X1 — T-BAR

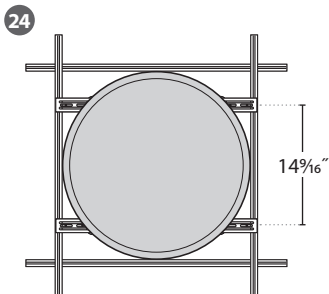
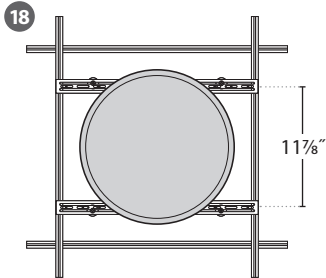
⚠️ MAY REQUIRE TWO PEOPLE TO INSTALL

2x2 OFF GRID MOUNTING

SQUARE

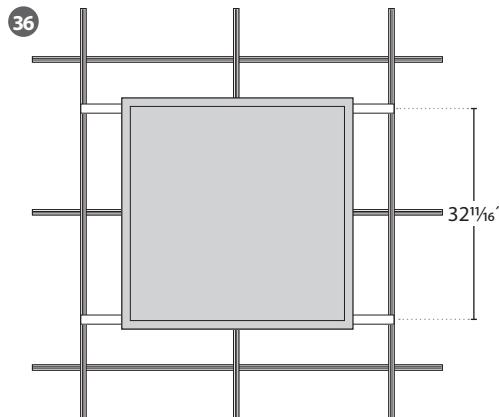
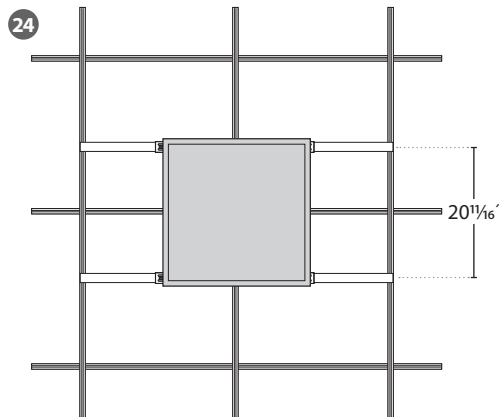
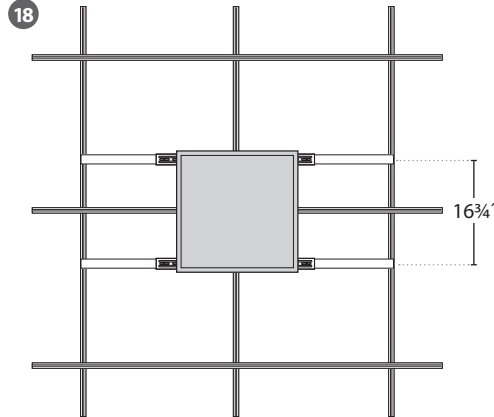


ROUND

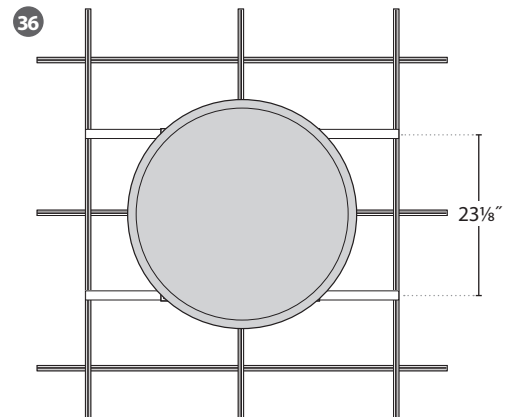
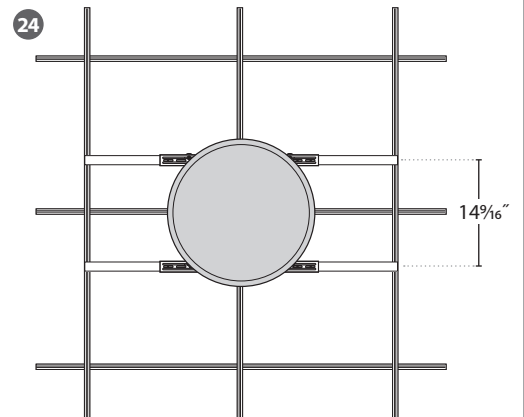
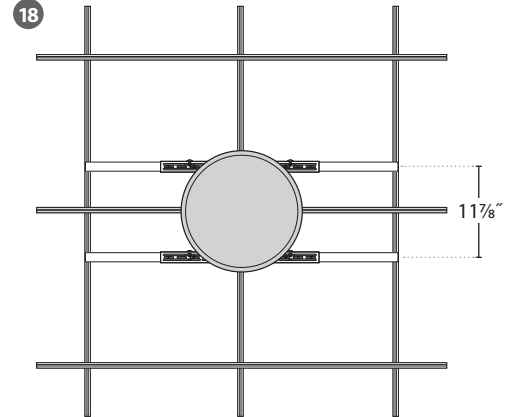


2x2 ON GRID MOUNTING

SQUARE



ROUND



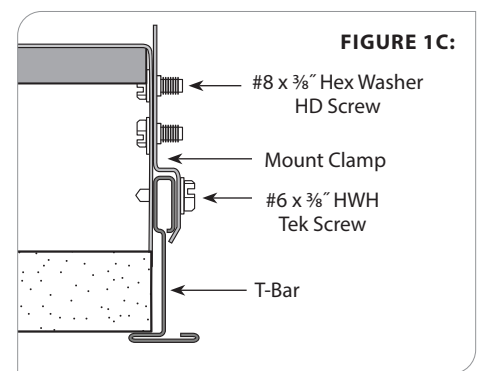
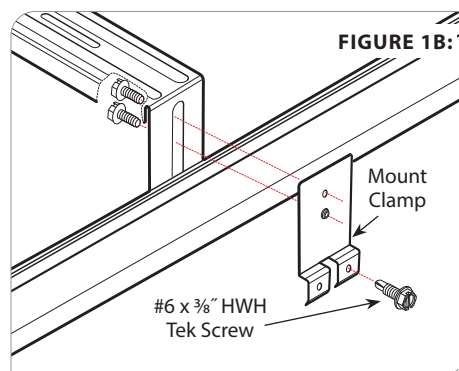
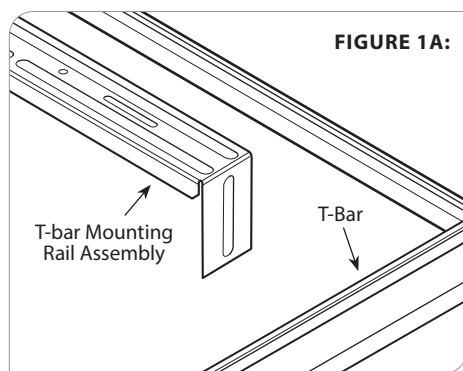
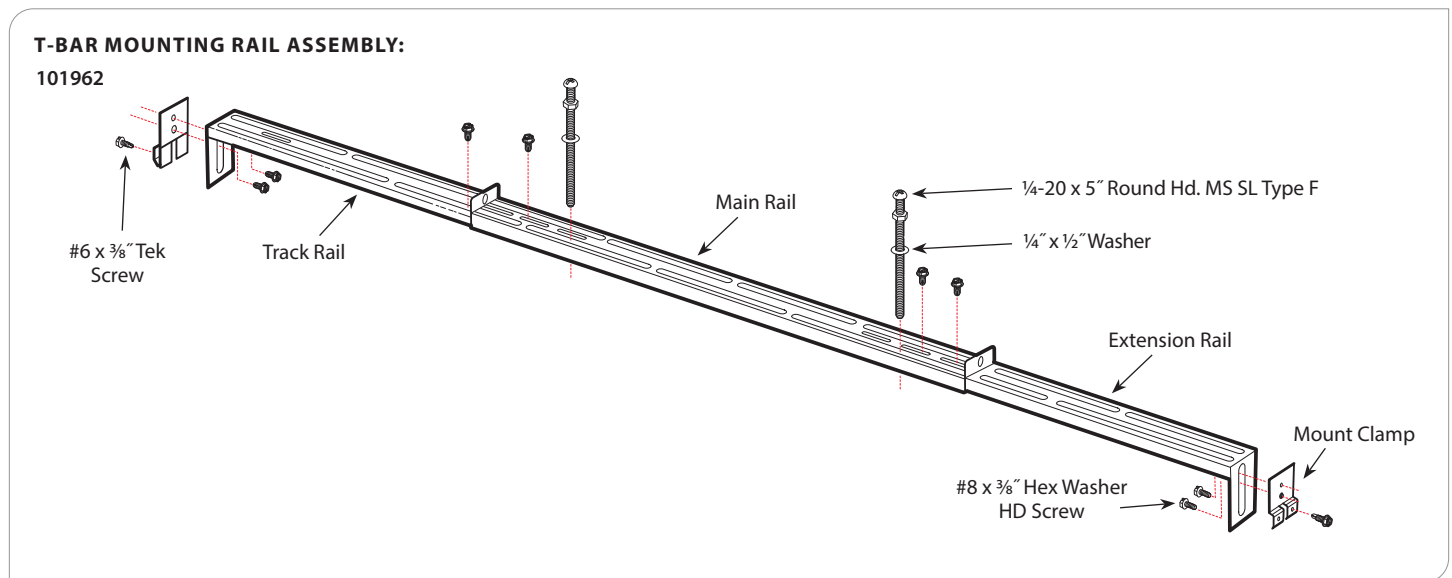


X1 — T-BAR

👤👤 MAY REQUIRE TWO PEOPLE TO INSTALL

INSTALLATION

1. Use mounting dimensions provided to layout mounting location on installed ceiling tiles
2. Drill (4x) 3/8" holes in ceiling tiles to match mounting dimensions provided.
3. Extend t-bar mounting rail assembly to fit t-bar grid (#8 x 3/8" Hex Washer HD Screws may need to be removed to expand rails, figures 1A & 1B).
4. Remove mount clamps from T-Bar Mounting Rail Assembly. Place t-bar mounting rail assembly against inner wall of t-bar.
5. Secure assembly to t-bar with clamps (figures 1B & 1C).
6. Drive #6 x 3/8" Tek Screws through clamp and t-bar.
7. Place (4) 1/4-20 x 5" bolts to t-bar mounting rail assembly. Be sure bolts are aligned with hole pattern cut in ceiling tiles (figure 2A).





Gaze Acoustic | Round & Square

CAX Cable Mount

INSTALLATION INSTRUCTIONS



PRUDENTIAL LTG.

PRULITE.COM 213.746.0360

X1 — T-BAR

MAY REQUIRE TWO PEOPLE TO INSTALL

8. Be sure bolts protrude through ceiling by $\frac{3}{4}$ " to properly support canopy and cable hardware (figure 2C).
9. Tie t-bar mounting rail assemblies to structure above (figures 2A & 2B).

FIGURE 2A

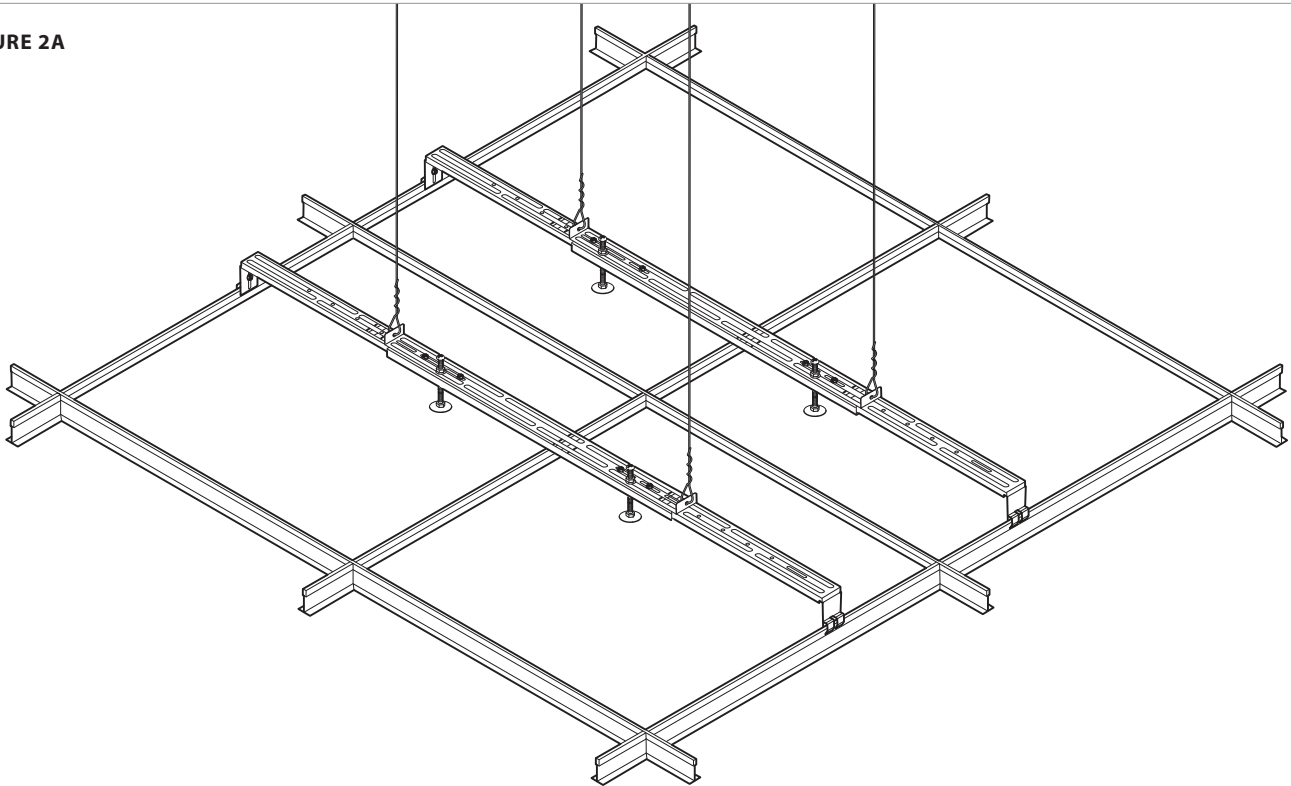


FIGURE 2B

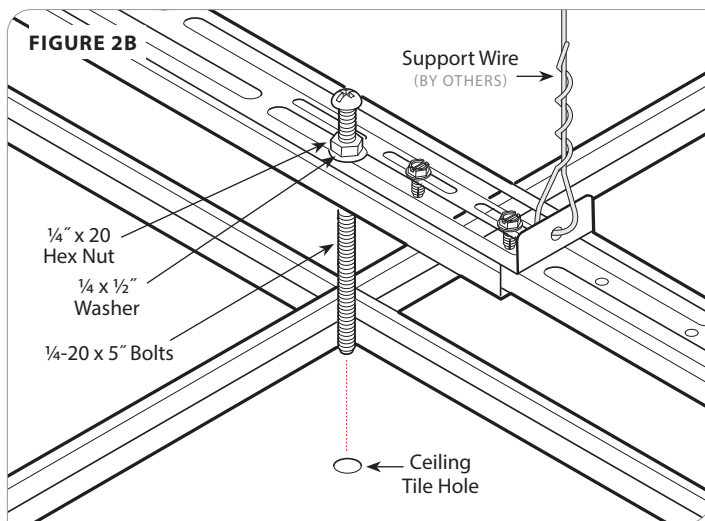
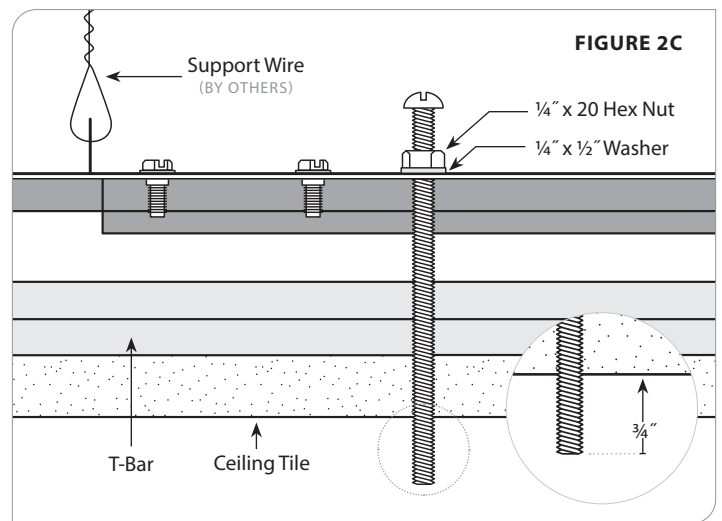


FIGURE 2C





X1 — T-BAR

👤👤 MAY REQUIRE TWO PEOPLE TO INSTALL

INSTALLATION

1. Insert non-crimped end of support cable through top threaded end of 1/4-20 coupling. Pull cable until crimp stops inside threaded end of coupling.
2. Push non-crimped end of cable through top (smooth end adjustable glider). Insert cable completely through glider. Glider will engage by pressing top smooth end down. Hold in place and pull back for adjustment.
3. Thread adjustable glider into weld nut located on top plate of light fixture.
4. Unscrew threaded ring from top of 1/4-20 coupling. Insert 1/4-20 coupling through 1 3/32" diameter center hole on canopy and let threaded ring and canopy rest on fixture end. Lift coupling/cable to ceiling with fixture attached and thread 1/4-20 coupler onto 1/4-20 x 5" bolt protruding through ceiling tile. Adjust cable to required distance from ceiling surface. Lift canopy against ceiling surface and secure in place with threaded ring.
5. Once fixture is level and at it's permanent mounting position, trim excess cable.

CAUTION: Do not remove crimp from cable. Crimps are factory pressed onto cable for maximum strength. Prudential Lighting will not be responsible for damage or injuries which occur due to cable/crimp alterations. If different cable lengths are required, contact Prudential Lighting immediately.

