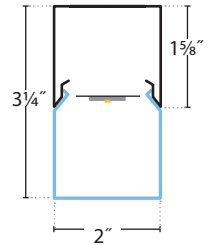




Type:

Job:



Snap's sleeker, more sophisticated sibling now with much higher lumen levels (and efficiencies). Improved aesthetic with more LEDs close together for smooth, soft side viewing of lens. Available in any row length (1/16" increments) and a multitude of fully illuminated corners.

**High Output:**  
BOLTPRO-LED4-HO-04-SAL-DM01

- 6853 Delivered Lumens
- 49 Watts
- 140 lm/w
- 4000 CCT

**NEW HIGHER LUMEN LEVELS**

UP TO **140** LPW

	LO	MO	SO	HO
lm/ft	525	925	1300	1700
w/ft	3.75	6.5	9.4	12.5

**Want to keep the older Bolt lumen levels?**

Specify: PROG500 = 500 lumens/ft  
PROG7W = 7 watts/ft



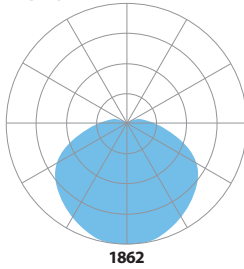
Lumen output may vary +/- 5%  
Light Loss Factor (LLF) for CCTs other than 3500K:  
4000K +2%, 3000K -5%, 2700K -20%  
90 CRI -15% (3K, 3500K, 4K & 5K)  
See LED Details PDF for more info

SERIES	LED COLOR	OUTPUT	NOMINAL LENGTH	SHIELDING	COLOR/ FINISH	VOLTAGE	MOUNTING	CEILING SYSTEMS	DRIVERS	OPTIONS, SENSORS & CORNERS
BOLT-PRO				SAL						
	LED27 2700K (90CRI)	LO Low	2'	SAL Satin Acrylic Lens	TMW Textured Matte White	UNV (120- 277)	SUR Ceiling or Wall Mount	X1 T-Bar 1 5/16" or 3/8" (Standard) Consult factory for 3/16" Tegular	ND Non-Dimming DM01 0-10v, 1% Dimming (Standard)	EMHE CA T20 Emergency Battery (1250 Delivered lumens; CA Title 20 compliant; 4' or longer) ETS-DR Iota ETS-DR Emergency Transfer Switch EBCP1G/2G Single/ Dual Gang (Electrical Box Cover Plate/Mud Ring) JA8 90 CRI, ECO Driver Only (Consult factory for pricing)
	LED3 3000K	MO Me- dium	3'		YGW Gloss White (Standard)	347 (Emer- gency battery requires a Step Down trans- former)	CA48", 96" & 144" Aircraft Cable (Adjustable)	X2 Di- mension- al T-Bar Arm- strong Inter- lude®	LDE1 Lutron Hi-lume 1% EcoSystem LED (Soft fade on, fade-to- black dimming)	
	LED35 3500K	SO Stan- dard	4'		Y Pre- mium Color			X3 Hard Ceiling	ECO 1% 0-10v, EldoLED (Logarithmic dimming std)	SENSORS: 205-ON/OFF WattStopper PIR Occupancy (No power to fixture) 205-DM WattStopper PIR Occupancy (Sets to min. dimming level) ENL Enlighted SU-5E-IOT
	LED4 4000K	HO High	5'		CC Custom Color			X6 Slot Grid or Interlude	ECDA 1% DALI, EldoLED (Logarithmic dimming std)	LUX Phillips DL LVOC Lutron Vive (Occ & RF) LVRF Lutron Vive (RF Only) NXSMP Hubbell (Occ)
	LED3- 90 90CRI	PROG Pro- gram- ma- ble Light Output (Specify desired lm/ft or w/ft)	6'		<b>NOTE:</b> All canopies are painted the same color as the fixture. Consult factory to specify				SOLO 0.1% 0-10v, EldoLED (Dim-to-dark, Logarithmic dimming std)	
	LED35- 90 90CRI		7'						SODA 0.1% DALI, EldoLED (Dim-to-dark, Logarithmic dimming std)	CORNERS: C2 Lit 2-Way C3T Lit 3-Way 90°: T C3Y 120° Lit 3-Way: Y C4 Lit 4-Way 90° Cross
	LED4- 90 90CRI		8'							C2X Lit 2-Way, (Any angle 45° to 179°, 1" increments) C3T-X Lit 3-Way: T (45° to 135°) C3Y-X Lit 3-Way: Y (45° to 135°) C4X Lit 4-Way (45° to 135°)
	LED5- 90 90CRI		R (Row length to 1/16")							
			SRL Symmetric Row Length (See page 5.)							
			Row lengths are typically made up of 8' and 4' fixtures, (eg. 12' row is (1) 8' and (1) 4'), unless SRL Symmetric Row Lengths are specified							
			<b>NOTE:</b> Individual fixtures are <u>NOT</u> intended for row mounting							
			For Patterns, Specifiers may write in 'Pattern' and include a drawing with corners and dimensions							



PHOTOMETRICS

**High Output:**  
**BOLTPRO-LED4-HO-04-SAL-DM01**  
 6853 Delivered Lumens  
 49 Watts  
 140 lm/w  
 4000 CCT



**Zonal Lumen Summary:**  
 0-90 (Down) = 86.9%  
 90-180 (Up) = 13.1%

Vertical Angle	0°	22.5°	45°	67.5°	90°
0°	1849	1849	1849	1849	1849
5°	1862	1856	1840	1839	1843
15°	1804	1797	1775	1757	1739
25°	1668	1655	1620	1583	1540
35°	1523	1493	1420	1347	1271
45°	1406	1349	1218	1083	973
55°	1280	1206	1022	825	684
65°	1089	1018	822	593	427
75°	833	783	615	383	209
85°	578	548	421	216	44
90°	473	453	98	165	5
95°	405	391	310	150	4
105°	307	300	246	124	4
115°	246	240	192	72	5
125°	205	193	120	56	5
135°	146	114	82	45	6
145°	105	80	66	36	7
155°	74	56	46	27	8
165°	17	23	11	16	10
170°	9	9	9	9	9

LUMEN MAINTENANCE

**L70** — 200,000+ Hours  
**L90** — 100,000+ Hours (LO, MO & SO)  
**L90** — 60,000+ Hours (HO)

**LED SYSTEM** LED modules and drivers are field replaceable.

**PROG** (OPTIONAL) Programmable light output. Specify desired lumens or watts per linear foot. Min: 3.75 w/ft, Max 12.5 w/ft.

**BINNING** Standard binning (all Prudential LED boards) includes testing at the chip level and board integration to provide consistent color temperature within a 3-step MacAdam ellipse, with +/- 5% lumen output range and +/- .004 Duv.

**LABELS** CSA and ETL damp labeled and I.B.E.W. manufactured.

**ELECTRICAL** Must specify LED dimming controls. LED fixtures have constant current driver(s) with less than 20% THD when loaded to a minimum of 60%. Drivers sink a maximum of 6mA per driver. DM01 LED drivers are 0-10V dimmable and are compatible with most 0-10V wall slide dimmers and direct 0-10V analog signal dimmers. Max driver size 1.65" w x 1.25" h.

32v Forward Voltage (+/- 1 volt based on drive current)  
 Drive Currents: **LO:** 100mA, **MO:** 100mA, **SO:** 250mA, **HO:** 325mA

CONSTRUCTION

Housing Extruded aluminum, 25% PC recycled, 100% recyclable

End Caps Cast aluminum, >25% PC recycled, 100% recyclable

Lens Single-piece (up to 8' lengths) extruded acrylic, 100% recyclable

Weight 2 lbs/ft

**MOUNTING** Surface mounted to walls or ceilings or suspended by cable.

**WARRANTY** Single-source, 5 year limited warranty covers standard components and construction.



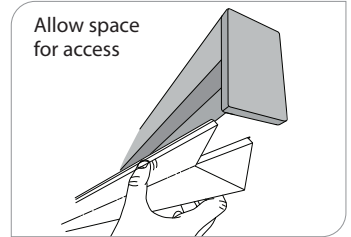
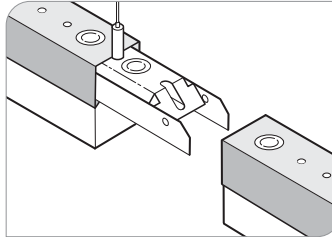
YSW – Seashell White (Matte)	YCH – Champagne (Metallic)
YSL – Silver (Metallic)	YPE – Pewter (Matte)
YRG – Rain Grey (Gloss)	YSTM – Storm Grey (Matte)
YBK – Black (Matte)	YBB – Black (Semi Gloss)
YSKM – Sky (Matte)	YMB – Military Blue (Matte)
YIB – Interstate Blue (Matte)	YSAM – Sapphire (Matte)
YFGM – Forest Green (Matte)	YBR – Bronze (Matte)
YBY – Boysenberry (Matte)	YSRM – Sunset Red (Matte)
YOR – Orange (Matte)	YDAM – Daffodil (Matte)



**SENSOR BOX**



**ADJOINING DETAILS**



Choose from one of our Premium Colors with no set-up fee.

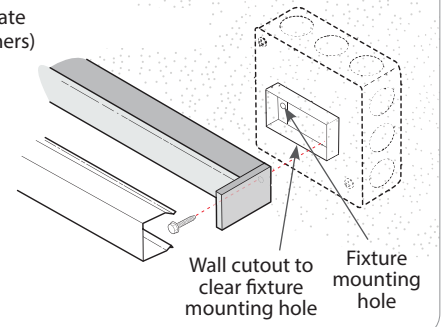
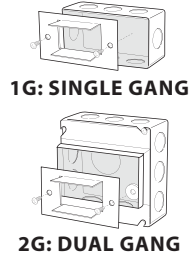
For paint chip samples, please email: [info@prulite.com](mailto:info@prulite.com)

**NOTES:**

- Sensor plate will match fixture color.
- 3' or longer fixtures.
- Consult factory for other sensors.

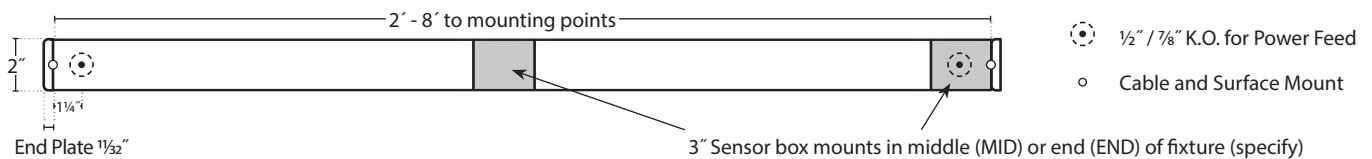
**EBCP ELECTRICAL BOX COVER (OPTIONAL)**

7/8" Dia. K.O. will accommodate 2"x 4" or 4"x 4" J-Box (by others)

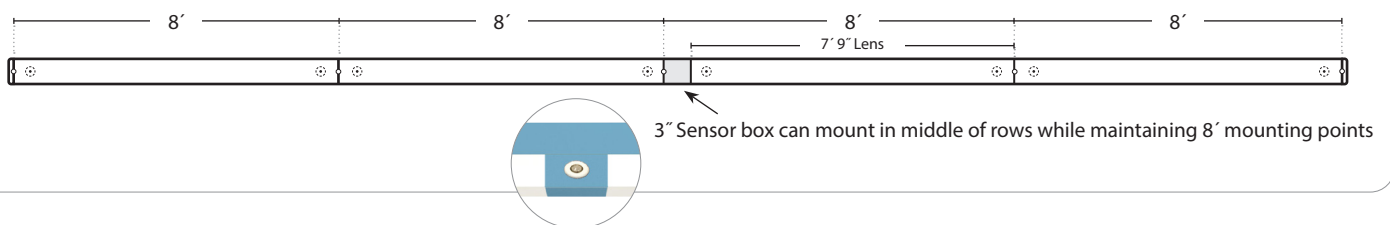


**MOUNTING LOCATIONS**

**INDIVIDUAL FIXTURE:**

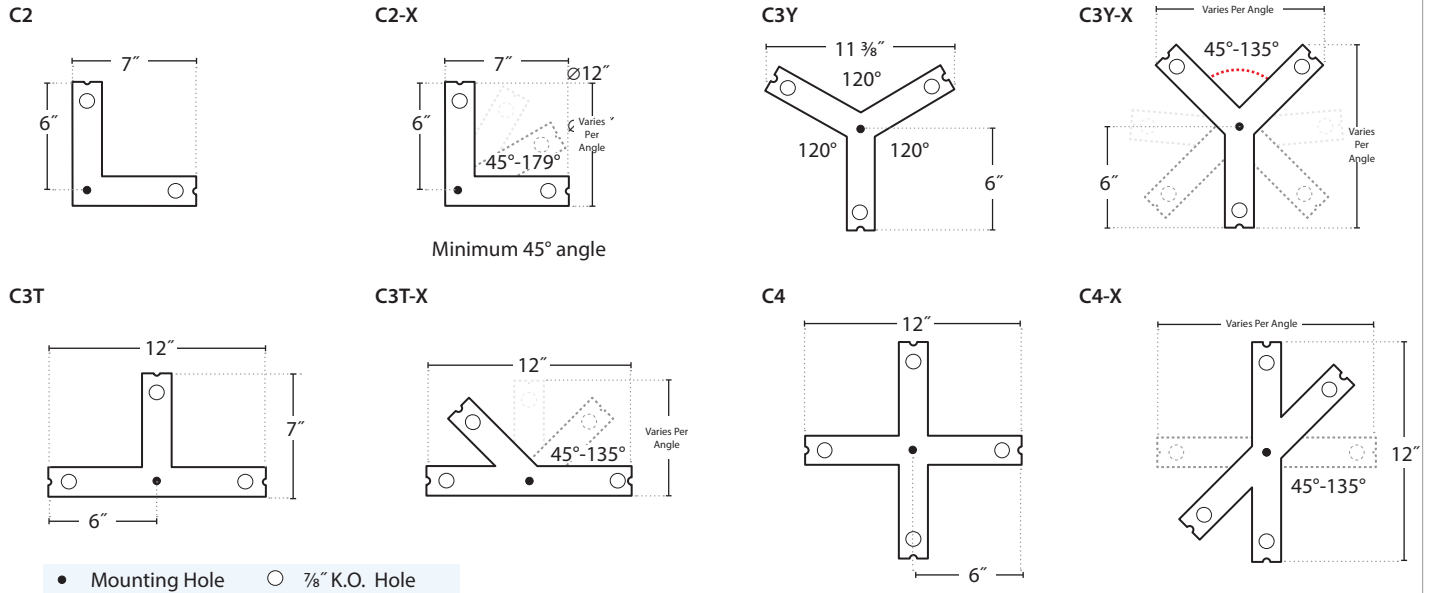


**CABLE OR SURFACE MOUNTING WITH SENSOR BOX:**





### CORNERS

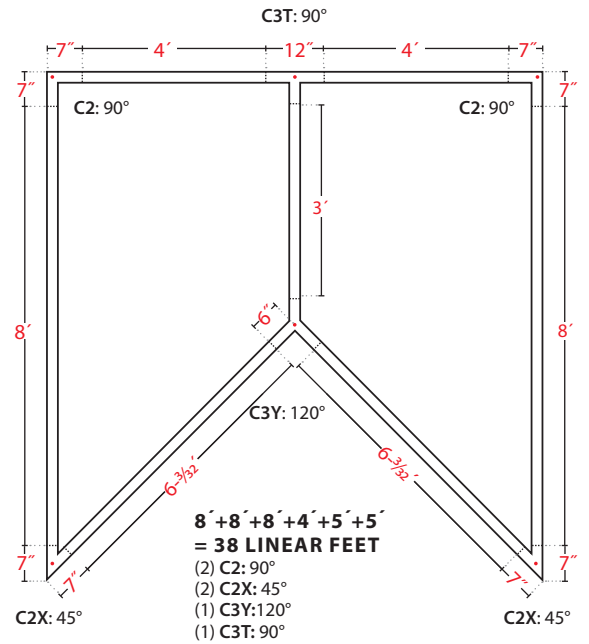
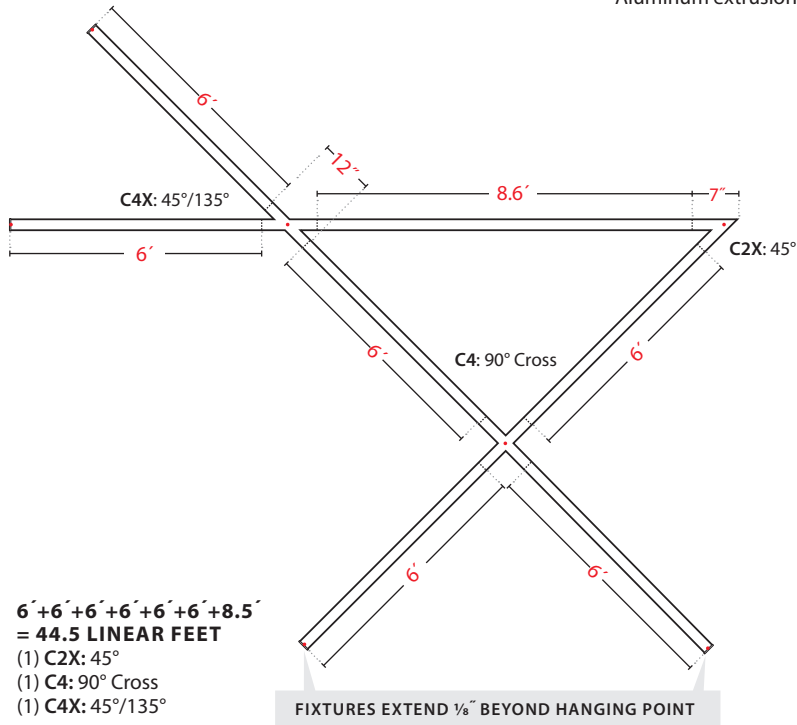


### SPECIFYING PATTERNS:

A configuration drawing is required (examples below), consult factory for assistance.

### NOTE:

- Lens seams only at mitered corners or lengths above 8'
- Aluminum extrusion

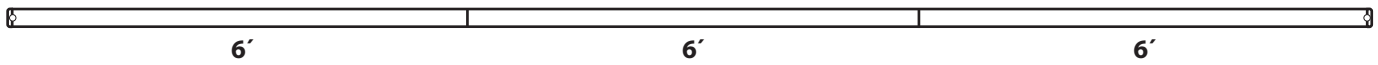




### 18' TYPICAL:



### 18' SYMMETRIC ROW LENGTH (SRL):



ROW LENGTH	FIXTURE BREAKDOWN	SYMMETRIC ROW LENGTH (SRL)
9'	(1) 6' + (1) 3'	(3) 3'
10'	(1) 6' + (1) 4'	5' + 5'
11'	(1) 8' + (1) 3'	4' + 3' + 4'
12'	(1) 8' + (1) 4'	(2) 6'
13'	(1) 8' + (1) 5'	4' + 5' + 4'
14'	(1) 8' + (1) 6'	(2) 7'
15'	(1) 8' + (1) 7'	(3) 5'
16'	(2) 8'	—
17'	(1) 8' + (1) 6' + (1) 3'	6' + 5' + 6'
18'	(1) 8' + (1) 6' + (1) 4'	(3) 6'
19'	(2) 8' + (1) 3'	6' + 7' + 6'
20'	(2) 8' + (1) 4'	8' + 4' + 8'
21'	(2) 8' + (1) 5'	(3) 7'
22'	(2) 8' + (1) 6'	8' + 6' + 8'
23'	(2) 8' + (1) 7'	8' + 7' + 8'
24'	(3) 8'	—
25'	(2) 8' + (1) 6' + (1) 3'	(5) 5'
26'	(2) 8' + (1) 6' + (1) 4'	7' + 6' + 6' + 7'
27'	(3) 8' + (1) 3'	5' + 5' + 7' + 5' + 5'
28'	(3) 8' + (1) 4'	(4) 7'
29'	(3) 8' + (1) 5'	6' + 6' + 5' + 6' + 6'

ROW LENGTH	FIXTURE BREAKDOWN	SYMMETRIC ROW LENGTH (SRL)
30'	(3) 8' + (1) 6'	(5) 6'
31'	(3) 8' + (1) 7'	6' + 6' + 7' + 6' + 6'
32'	(4) 8'	—
33'	(3) 8' + (1) 6' + (1) 3'	7' + 7' + 5' + 7' + 7'
34'	(3) 8' + (1) 6' + (1) 4'	7' + 7' + 6' + 7' + 7'
35'	(4) 8' + (1) 3'	(5) 7'
36'	(4) 8' + (1) 4'	(6) 6'
37'	(4) 8' + (1) 5'	8' + 8' + 5' + 8' + 8'
38'	(4) 8' + (1) 6'	8' + 8' + 6' + 8' + 8'
39'	(4) 8' + (1) 7'	8' + 8' + 7' + 8' + 8'
40'	(5) 8'	—
41'	(4) 8' + (1) 6' + (1) 3'	6' + 6' + 6' + 5' + 6' + 6' + 6'
42'	(4) 8' + (1) 6' + (1) 4'	(6) 7'
43'	(5) 8' + (1) 3'	6' + 6' + 6' + 7' + 6' + 6' + 6'
44'	(5) 8' + (1) 4'	6' + 6' + 6' + 8' + 6' + 6' + 6'
45'	(5) 8' + (1) 5'	7' + 7' + 7' + 3' + 7' + 7' + 7'
46'	(5) 8' + (1) 6'	7' + 7' + 7' + 4' + 7' + 7' + 7'
47'	(5) 8' + (1) 7'	7' + 7' + 7' + 5' + 7' + 7' + 7'
48'	(6) 8'	—
49'	(5) 8' + (1) 6' + (1) 3'	(7) 7'
50'	(5) 8' + (1) 6'	(10) 5'

**NOTE:** SRL will effect pricing – please consult factory.



**LM79 & TM30 DATA:**

	MEASURED CCT	MEASURED LUMENS	CRI	R9	DuV	SPD	TM30 — COLOR VECTOR	TM30 — COLOR DISTORTION
<b>LED27</b>	2680	80%	93	58	0.001		 89 Rf	 97 Rg
<b>LED3</b>	3042	95%	82	6	0.001		 81 Rf	 92 Rg
<b>LED3-90</b>	3016	85%	93	61	0.000		 88 Rf	 96 Rg
<b>LED35</b>	3482	100%	82	3	0.002		 81 Rf	 92 Rg
<b>LED35-90</b>	3417	85%	93	67	0.000		 88 Rf	 96 Rg
<b>LED4</b>	3952	102%	82	4	0.003		 81 Rf	 92 Rg
<b>LED4-90</b>	3882	85%	92	67	0.003		 87 Rf	 96 Rg
<b>LED5-90</b>	4889	85%	94	84	0.002		 86 Rf	 95 Rg