



# Gaze | Pendant & Surface

## Surface Flush / Surface Standoff

### INSTALLATION INSTRUCTIONS

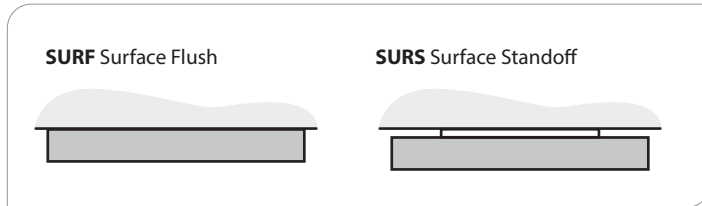
## X3 — HARD CEILING



PRUDENTIAL LTG.

PRULITE.COM 213.746.0360

### MOUNTING OPTIONS



### FIXTURE WEIGHTS:

	12"	18"	24"	36"	48"
<b>ROUND LED</b>	8lbs	17lbs	23lbs	44lbs	75lbs
<b>SQUARE LED</b>	9lbs	21lbs	28lbs	54lbs	100lbs

PART	PART NO.	DESCRIPTION	QTY
<b>MOUNTING BRACKETS:</b>			
	151473	Surface (SURF)	12": 1 18" + 24": 2 36" + 48": 4
	151474	Surface Standoff (SURS)	12": 1 18" + 24": 2 36" + 48": 4

PART	PART NO.	DESCRIPTION	QTY
	111588	Universal Access Plate (SURF + SURS)	1
	100-00018-14	6-32 x 1/4" Phil Pan Head Screw (SURF + SURS)	1

PART	PART NO.	DESCRIPTION	QTY
<b>INSTALLATION TEMPLATES:</b>			
	163556	12"	1
	158485	18" + 24" Surface (SURF) Surface Standoff (SURS)	1
	151475	36" + 48"	1

PART	PART NO.	DESCRIPTION	QTY
<b>STRAIN RELIEF:</b>			
	100-00228-14	Surface (SURF)	1
	100-00228-14	Surface Standoff (SURS)	2

### HARDWARE NOT INCLUDED

#### MOUNTING SCREWS

(1/4" x 2" lag bolts recommended for mounting to wood studs. Contractor to determine appropriate hardware for specific conditions)

12": 1 per Installation 18" & 24": 4 per Installation 36" & 48": 8 per Installation

#### NON-STRUCTURAL MOUNTING SCREWS (FOR TEMPLATE PLATES)

(No. 8" x 2" wood screws recommended for mounting to wood studs. Contractor to determine appropriate hardware for specific conditions)

12", 18" & 24": 1 per Installation 36" & 48": 3 per Installation

#### J-BOX SCREWS

2-4 per installation

#### MASKING TAPE

To aid in fixture installation

**WARNING:** Ground fixture in accordance with local and national electrical codes. Failure to do so may result in serious personal injury.



# Gaze | Pendant & Surface

## Surface Flush / Surface Standoff

### INSTALLATION INSTRUCTIONS



PRUDENTIAL LTG.

PRULITE.COM 213.746.0360

## X3 — HARD CEILING

**MAY REQUIRE TWO PEOPLE TO INSTALL**

**NOTE:** These instructions apply to round and square fixtures. Images may vary slightly based on fixture size.

**CEILING** **WALL**

2 1/2" Clear from Wall

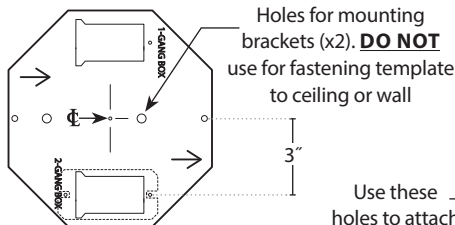
**CAUTION:**  
Gaze surface installation is achieved by "shift and lock" technique. 2 1/2" of clearance from wall is needed to ensure that there is no interference.

**FIXTURE SIZES:**

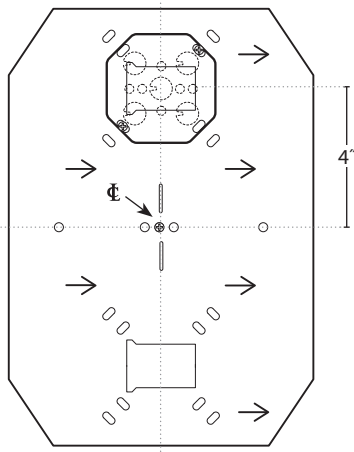
	12"	18"	24"	36"	48"
<b>ROUND LED</b>	12 5/8"	19"	22 3/4"	34 7/8"	46 3/8"
<b>SQUARE LED</b>	13"	19"	22 3/4"	34 7/8"	46 7/8"

### 1) Mount Installation Template to Ceiling or Wall.

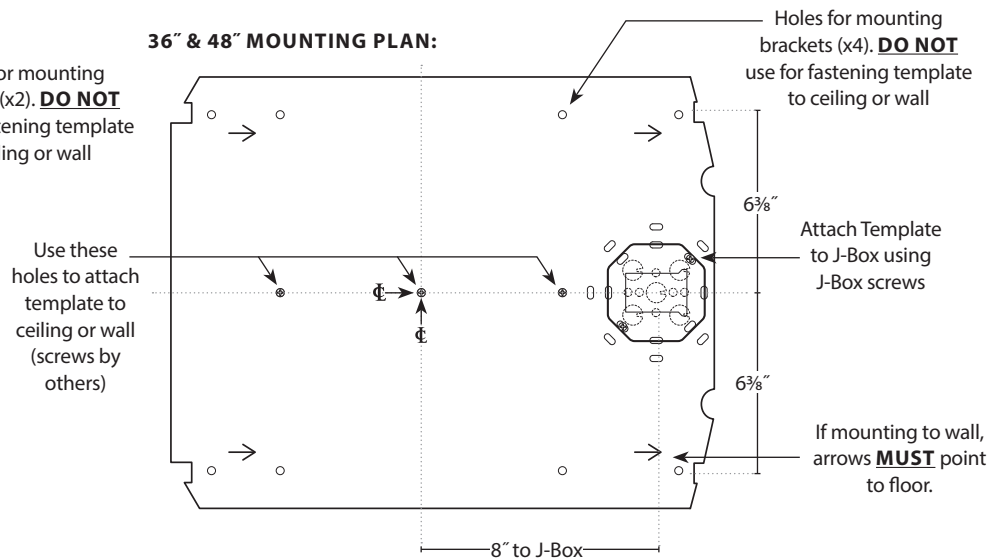
#### 12" MOUNTING PLAN:



#### 18" & 24" MOUNTING PLAN:



#### 36" & 48" MOUNTING PLAN:



**NOTE:** Installation template to stay permanently attached to wall or ceiling.

**WARNING:** Ground fixture in accordance with local and national electrical codes. Failure to do so may result in serious personal injury.

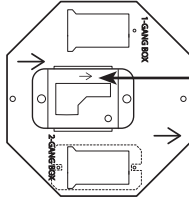


**INSTALLATION INSTRUCTIONS**

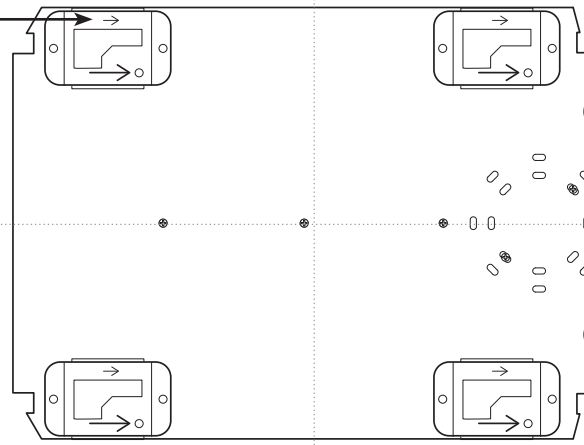
**X3 — HARD CEILING**

**2)** Fasten Mounting Brackets over template and into structure. Make sure brackets are securely fastened structure. These are load-bearing.

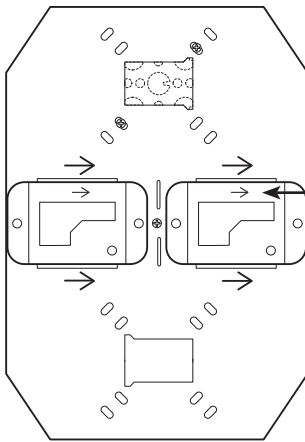
**12" MOUNTING PLAN:**



**36" & 48" MOUNTING PLAN:**



**18" & 24" MOUNTING PLAN:**



Make sure arrows on installation template and mounting brackets point in the same direction  
Mounting Screws (by others)

**WARNING:** Ground fixture in accordance with local and national electrical codes. Failure to do so may result in serious personal injury.



# Gaze | Pendant & Surface

## Surface Flush / Surface Standoff



PRUDENTIAL LTG.

PRULITE.COM 213.746.0360

### INSTALLATION INSTRUCTIONS

## X3 — HARD CEILING

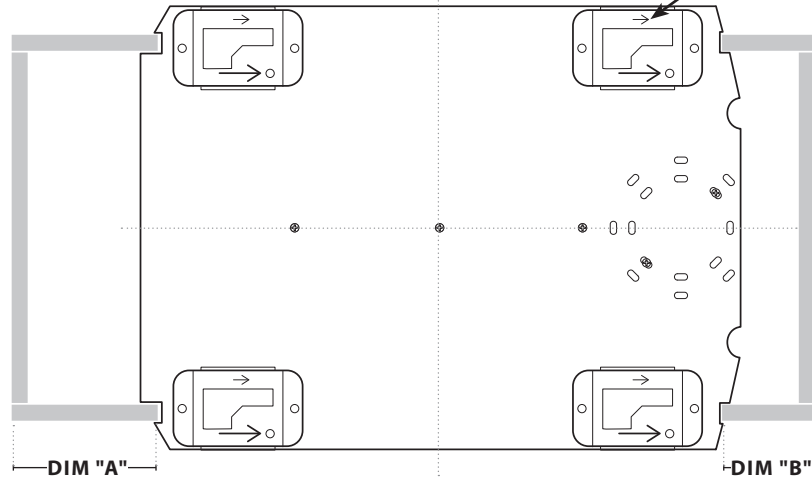
THE NEXT TWO STEPS ONLY APPLY TO 36" & 48" FIXTURES. IF INSTALLING AN 18" OR 24" FIXTURE PROCEED TO STEP 5.

**3)**

Apply masking tape as shown. This will help to position the fixture during final installation. Without the masking tape as a guide, aligning fixture with mounting brackets may be difficult.

**NOTE:** Remove masking tape after final installation.

Note the direction of the arrows when measuring to two lengths of tape



	ROUND		SQUARE	
	Soft	Hard	Soft	Hard
36"	10¼"	9¾"	10¼"	9¾"
48"	15½"	16"	16¼"	15¾"

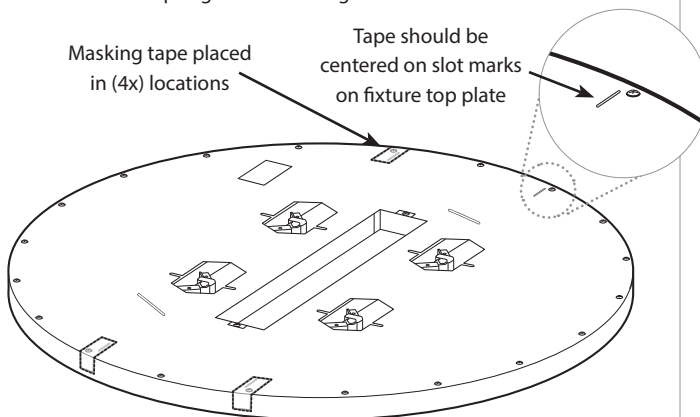
	ROUND		SQUARE	
	Soft	Hard	Soft	Hard
36"	7⅝"	7⅞"	7⅝"	7⅞"
48"	12⅞"	13⅜"	13⅝"	13⅞"

**4)**

Apply masking tape on 36" & 48" fixtures as shown below. This will help align fixture during final installation.

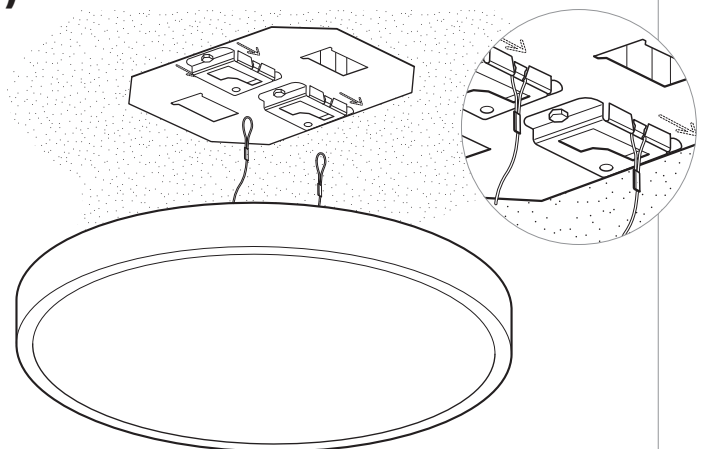
Masking tape placed in (4x) locations

Tape should be centered on slot marks on fixture top plate



**5)**

Hang fixture by hooking safety cables to mounting brackets.



**WARNING:** Ground fixture in accordance with local and national electrical codes. Failure to do so may result in serious personal injury.



Prudential Ltg. reserves the right to change design specifications or materials without notice. Please visit prulite.com for most current data.  
© 2015 All rights reserved – All products manufactured at: Prudential Ltg. 1774 E. 21st Street, Los Angeles, CA 90058



# Gaze | Pendant & Surface

## Surface Flush / Surface Standoff

### INSTALLATION INSTRUCTIONS

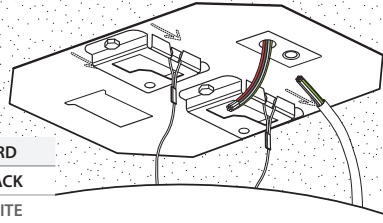


PRUDENTIAL LTG.

PRULITE.COM 213.746.0360

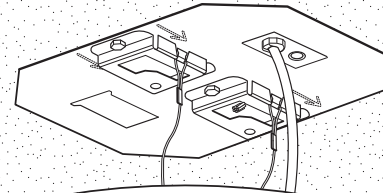
## X3 — HARD CEILING

- 6)** Perform wire makeups between SJT cord(s) and J-Box. Route wires through Universal Access Plate as shown. Attach universal access plate with 6-32 x 1/4 phil pan head screw.

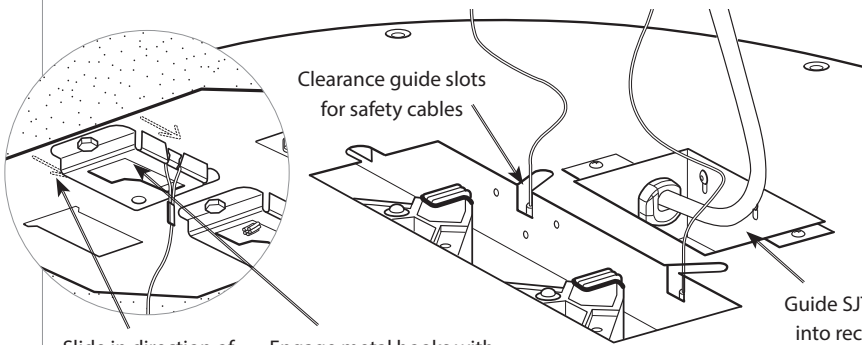


WIRING COLOR CODE (FIXTURE)	CORD
LINE VOLTAGE HOT : BLACK	BLACK
NEUTRAL : WHITE	WHITE
GROUND : GREEN	GREEN
CONSTANT OR SECOND CIRCUIT HOT (EM) : RED	RED
LOW VOLTAGE (+) : PURPLE	ORANGE
LOW VOLTAGE (-) : PINK	BLUE

- 7)** Use Strain Relief to secure cord to universal access plate. Fixture can be powered up to test.



- 8)** Surface mount light fixture to wall or ceiling using “shift and lock” technique. Read all notes on diagram shown below before attempting surface mount.

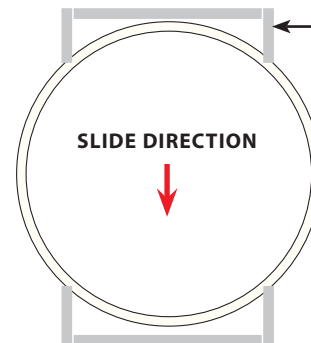


Slide in direction of arrow when installing

Engage metal hooks with mounting brackets on ceiling / wall. Slide to lock.

Guide SJT cable into recessed compartment when installing

For 36" & 48" fixtures, use masking tape guides to align fixture to mounting brackets.



Align fixture with edge of tape. Tape indicates starting point for installation

**WARNING:** Ground fixture in accordance with local and national electrical codes. Failure to do so may result in serious personal injury.



Prudential Ltg. reserves the right to change design specifications or materials without notice. Please visit prulite.com for most current data. © 2015 All rights reserved – All products manufactured at: Prudential Ltg. 1774 E. 21st Street, Los Angeles, CA 90058