

Gaze | Round & Square RPM & SPM Pendant Mount

INSTALLATION INSTRUCTIONS



PRUDENTIAL LTG.

PRULITE.COM 213.746.0360

X1 — T-BAR — OFF-GRID / X3 — HARD CEILING

👤👤 MAY REQUIRE TWO PEOPLE TO INSTALL

PART	PART NO.	DESCRIPTION
------	----------	-------------



CANOPY BODIES:

	100-00071-03	Round
	100-00072-03	Square

CANOPY COVERS:

	105760	Single Feed
	105892	Dual Feed
	105597	Support Ring
	100-00183-10	Insulation Ring
	100-00144-09	Romex Clamp — NPT 1/2"
	105717	Romex Clamp Bracket — NPT 1/2"
	100-00145-09	Romex Clamp — NPT 3/4" (Dual Feed)
	106029	Romex Clamp Bracket — NPT 3/4" (Dual Feed)

DUAL FEED BUSHINGS:


	100-00338-14	Black
	100-00339-14	White

FIXTURE WEIGHTS:

	12"	18"	24"	36"	48"
ROUND LED	8lbs	17lbs	23lbs	44lbs	75lbs
SQUARE LED	9lbs	21lbs	28lbs	54lbs	100lbs


PART	PART NO.	DESCRIPTION
------	----------	-------------

POWER CORDS:

	100-00023-09	3-Wire
	100-00024-09	4-Wire
	100-00912-09	5-Wire
	100-01002-09	6-Wire

SJT Power Cord

SUPPORT CABLE: (CABLE GRIPPER WILL BE INSTALLED BY FACTORY)

	100-00563-09	48"
	100-00564-09	96"
	100-00565-09	144"

1/16" Galvanized Cable & 1/4" Ball Nut & Gripper


	100-00449-09	Grounding Wire 7"
---	--------------	-------------------

	100-00187-14	#8-32 x 3/8" HHWSL GREEN Ground Screw
--	--------------	---

	100-00047-14	#8-32 x 3/8" HWH SL Self-Tap Screws
---	--------------	--

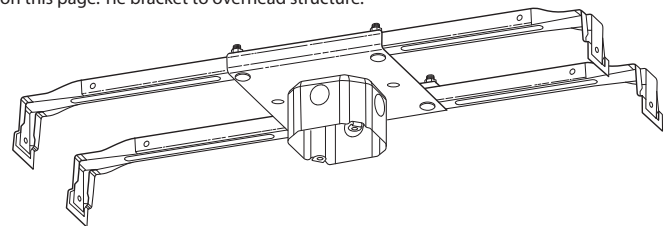
	100-00334-14	8 x #6-32 x 3/8" Phillips Pan Head, Type F Screw
---	--------------	---

PLASTIC STRAIN RELIEF:

	100-00228-14	WHITE	3/4 Wire
	100-00309-14	BLACK	
	100-00346-14	WHITE	5/6 Wire
	100-00308-14	BLACK	

CADDY FAN-FIXTURE ASSEMBLY FOR T-BAR CEILING (BY OTHERS):

Use appropriate bracket for weights shown on this page. Tie bracket to overhead structure.



WARNING: Ground fixture in accordance with local and national electrical codes. Failure to do so may result in serious personal injury. Fixture Installations should ONLY be done by a qualified licensed electrical professional.

Gaze | Round & Square RPM & SPM Pendant Mount

INSTALLATION INSTRUCTIONS

X1 — T-BAR — OFF-GRID / X3 — HARD CEILING

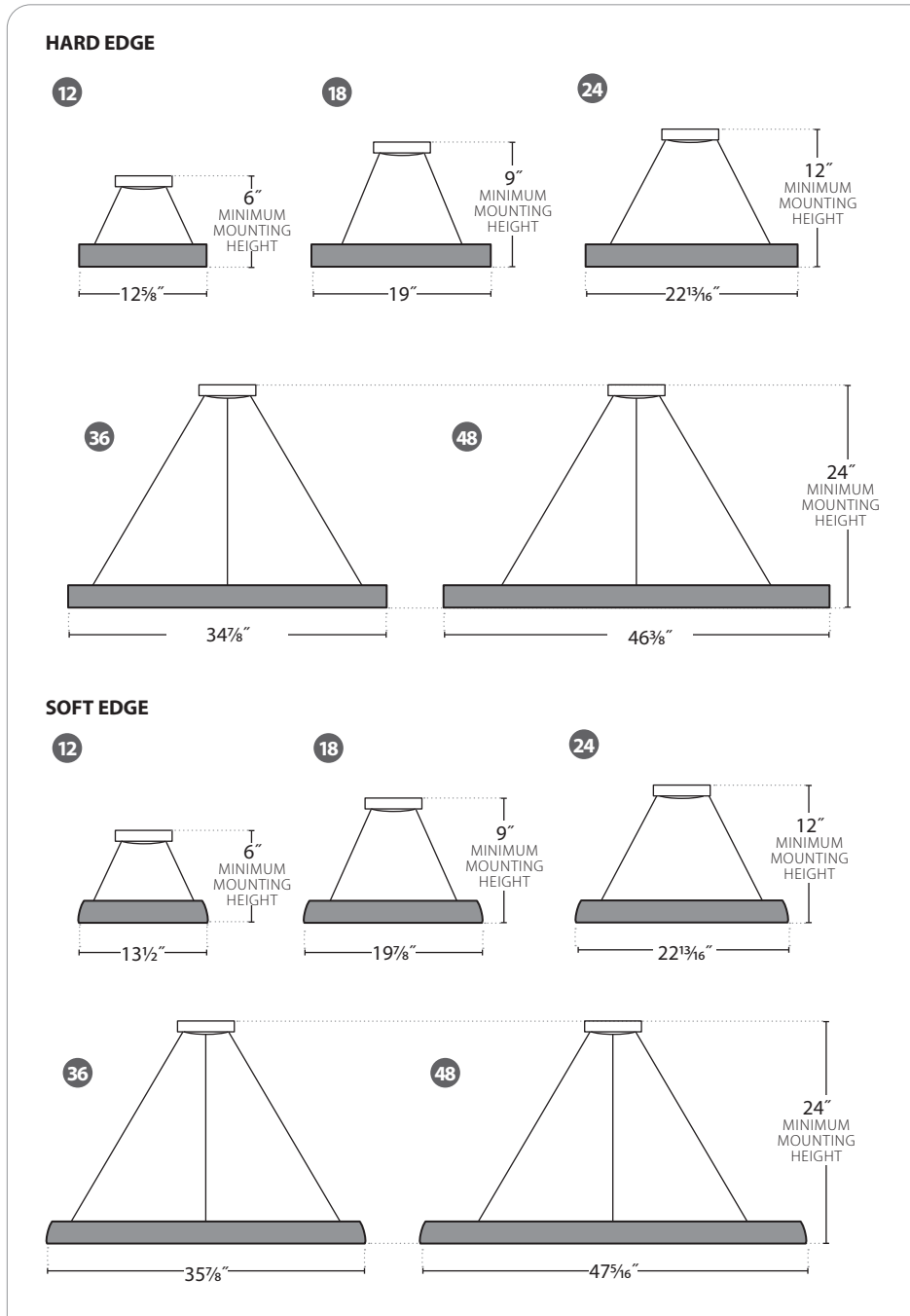


PRUDENTIAL LTG.

PRULITE.COM 213.746.0360

👤👤 MAY REQUIRE TWO PEOPLE TO INSTALL

RPM/SPM CANOPY MINIMUM MOUNTING HEIGHT



WARNING: Ground fixture in accordance with local and national electrical codes. Failure to do so may result in serious personal injury. Fixture installations should ONLY be done by a qualified licensed electrical professional.

Gaze | Round & Square

RPM & SPM Pendant Mount

INSTALLATION INSTRUCTIONS



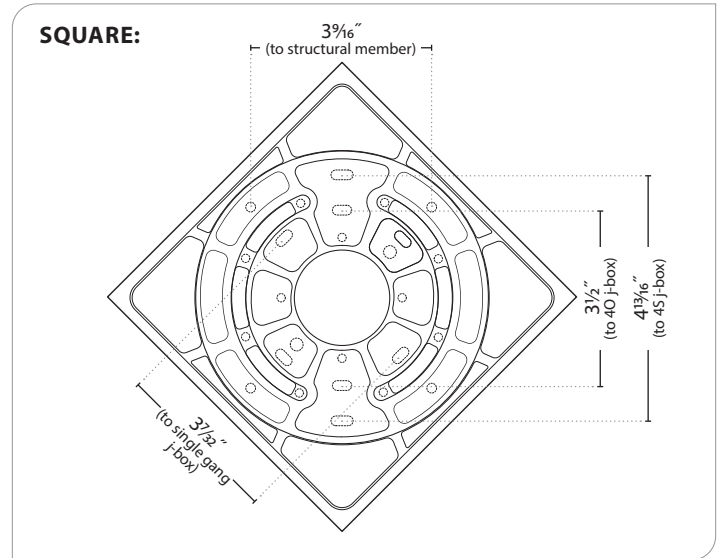
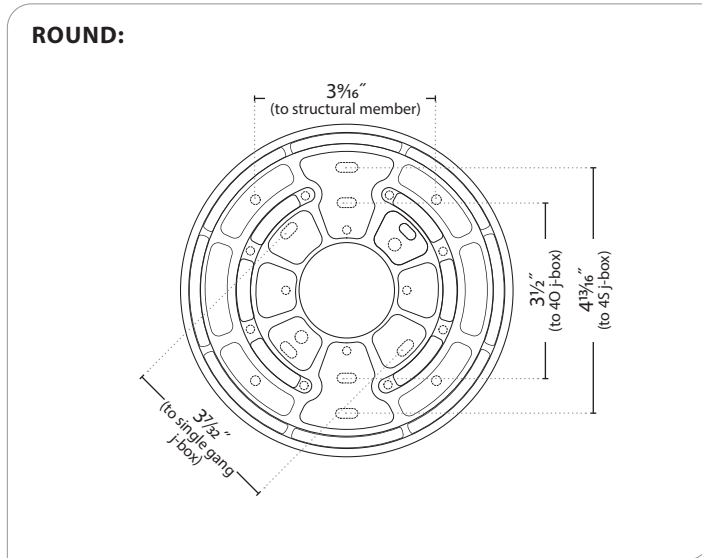
PRUDENTIAL LTG.

PRULITE.COM 213.746.0360

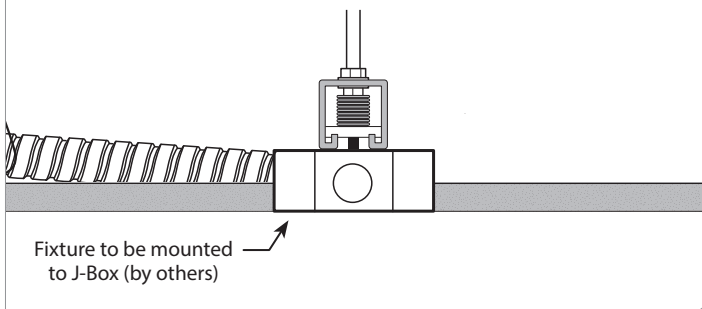
X1 — T-BAR — OFF-GRID / X3 — HARD CEILING

👤👤 MAY REQUIRE TWO PEOPLE TO INSTALL

MOUNTING LOCATIONS



36" & 48" Fixtures: J-Box must be tied to overhead structure with strut channel of other appropriate bracing to be determined by contractor.



WARNING: Ground fixture in accordance with local and national electrical codes. Failure to do so may result in serious personal injury. Fixture Installations should ONLY be done by a qualified licensed electrical professional.

Gaze | Round & Square

RPM & SPM Pendant Mount

INSTALLATION INSTRUCTIONS

X1 — T-BAR — OFF-GRID / X3 — HARD CEILING

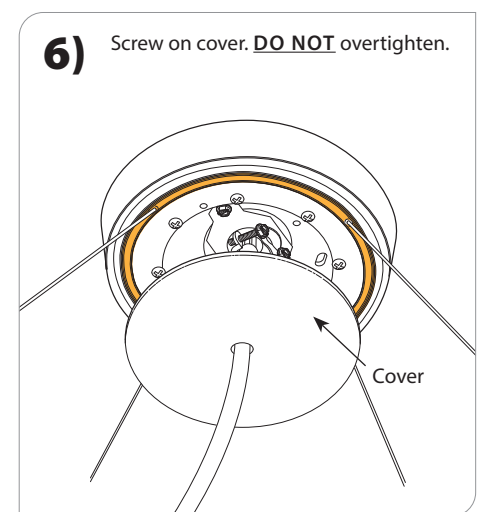
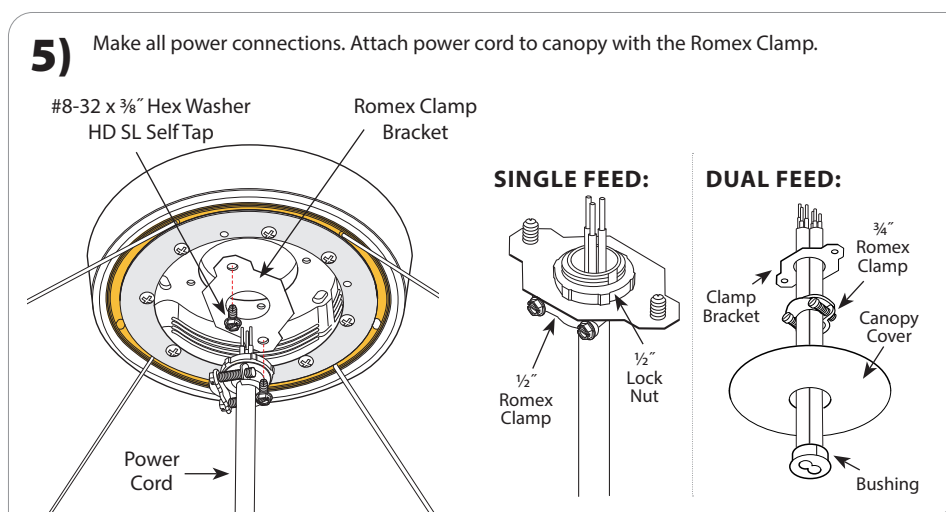
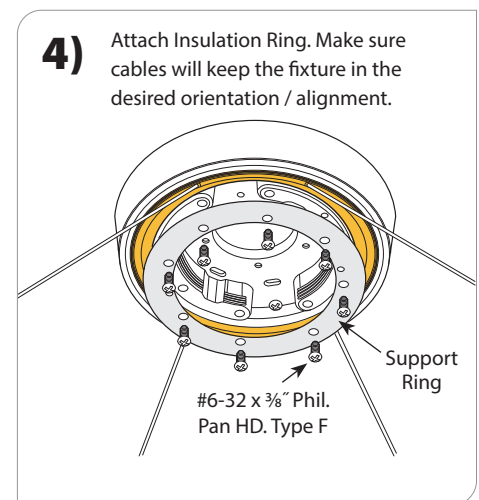
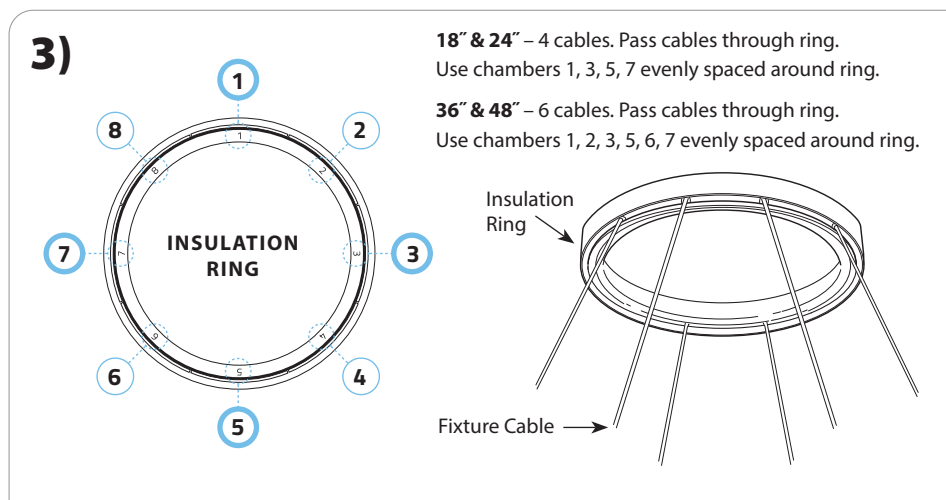
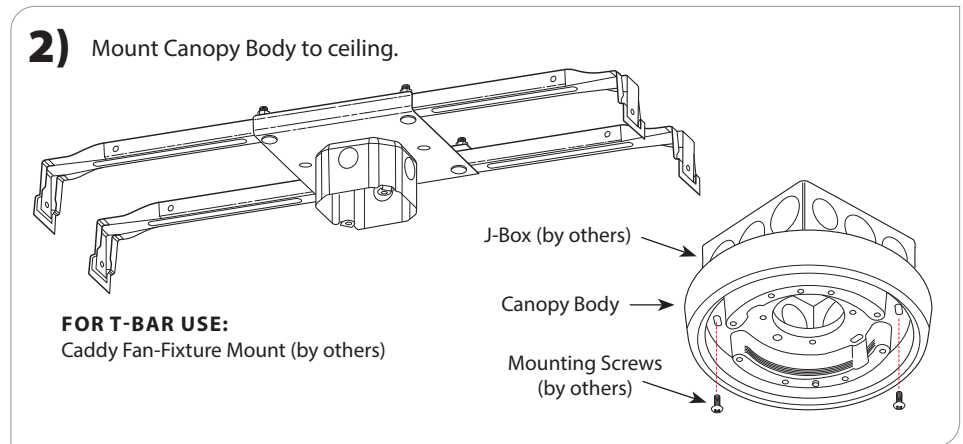
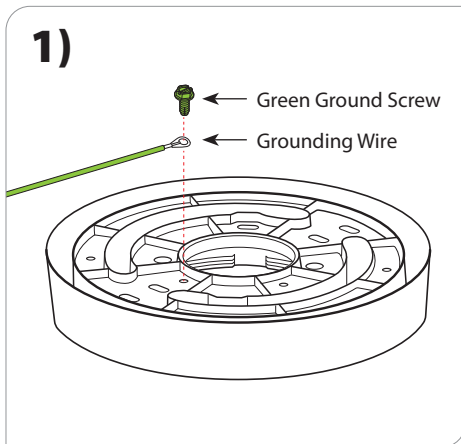


PRUDENTIAL LTG.

PRULITE.COM 213.746.0360

MAY REQUIRE TWO PEOPLE TO INSTALL

INSTALLATION



WARNING: Ground fixture in accordance with local and national electrical codes. Failure to do so may result in serious personal injury. Fixture Installations should ONLY be done by a qualified licensed electrical professional.

Gaze | Round & Square

RPM & SPM Pendant Mount

INSTALLATION INSTRUCTIONS

X1 — T-BAR — OFF-GRID / X3 — HARD CEILING

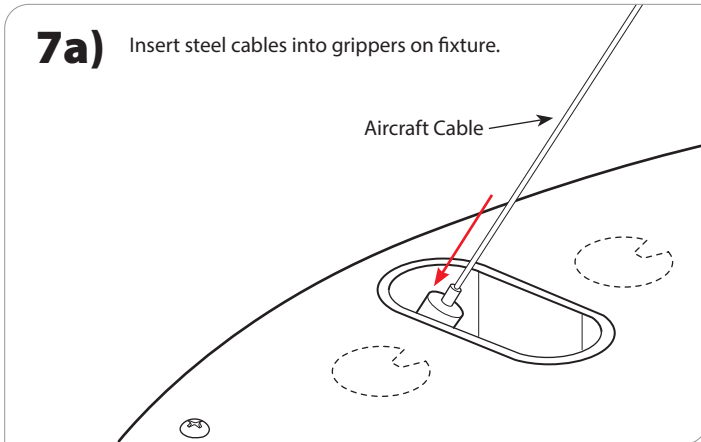


PRUDENTIAL LTG.

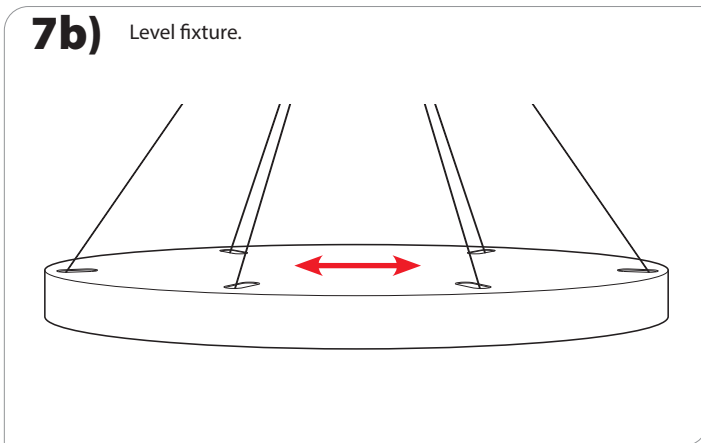
PRULITE.COM 213.746.0360

👤👤 MAY REQUIRE TWO PEOPLE TO INSTALL

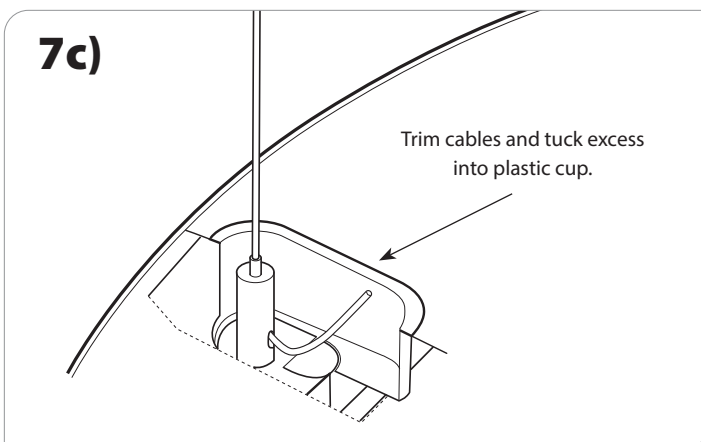
7a) Insert steel cables into grippers on fixture.



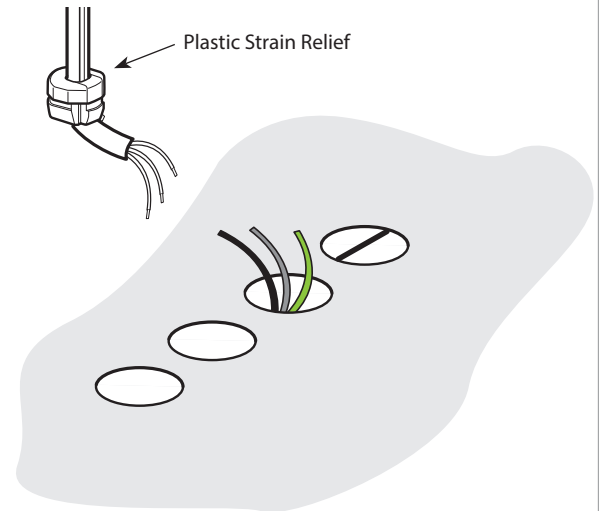
7b) Level fixture.



7c)



8) Field cut SJT cord to proper length and strip back portion of outer insulation. Perform wire makeups above fixture (see color diagram below) and press wire nuts (by others) individually through $\frac{3}{8}$ " hole. Use plastic strain relief provided to secure cord in place.



WIRING:

0-10V (+) : Purple	0-10V (-) : Grey
DALI (+) : Purple	DALI (-) : GREY
EcoSystem DALI (+) : Purple	EcoSystem DALI (-) : GREY
HOT : BLACK	
NEUTRAL : WHITE	
GROUND : GREEN	
CONSTANT HOT (EM) : RED	

NOTE: If drivers are installed remotely, connect low voltage (red & blue) wires only.

WARNING: Ground fixture in accordance with local and national electrical codes. Failure to do so may result in serious personal injury. Fixture Installations should ONLY be done by a qualified licensed electrical professional.