

Gaze | Round & Square

CAX & CCAX Pendant Mount

INSTALLATION INSTRUCTIONS

X1 — T-BAR — ON/OFF-GRID

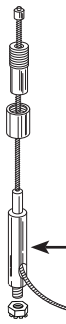


PRUDENTIAL LTG.

PRULITE.COM 213.746.0360

| PART | PART NO. | DESCRIPTION | QTY |
|------|----------|-------------|-----|
|------|----------|-------------|-----|

SUPPORT CABLE:

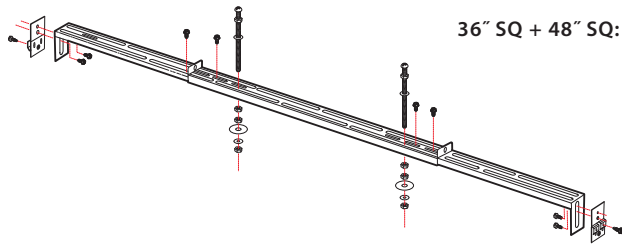


| | | | | |
|--------------|------|--|-----------------|---|
| 100-00039-08 | 53" | Support Cable & Crimp 1/4-20 Coupler & Ring | 12", 18" + 24": | 4 |
| 100-00085-08 | 100" | | 36" + 48": | 6 |
| 100-00042-08 | 200" | | | |

(CABLE GRIPPER WILL BE INSTALLED BY FACTORY)

T-BAR MOUNTING RAIL ASSEMBLY:

101962



| | |
|------------------|---|
| 12", 18" + 24": | 2 |
| 36" RD + 48" RD: | 4 |
| 36" SQ + 48" SQ: | 6 |

| | | | |
|--|--------------|------------------------------------|----|
| | 100-00283-14 | 1/4-20 x 5" Round Hd. MS SL Type F | 2* |
| | 100-00165-14 | 1/4-20 Hex Nut | 2* |
| | 100-00008-14 | 1/4 x 1/2 Washer | 2* |
| | 100-00086-14 | #6 x 3/8" Tek Screw | 2* |

* PER MOUNTING RAIL ASSEMBLY

| 18GA SJT CORD: | 3 WIRE | 4 WIRE | 5 WIRE | 6 WIRE |
|----------------|--------------|--------------|--------------|--------------|
| WHITE | 100-00023-09 | 100-00024-09 | 100-00912-09 | 100-01002-09 |
| BLACK | 100-00956-09 | 100-00025-09 | 100-00933-09 | 100-00317-09 |

FIXTURE WEIGHTS:

| | 12" | 18" | 24" | 36" | 48" |
|------------|------|-------|-------|-------|--------|
| ROUND LED | 8lbs | 17lbs | 23lbs | 44lbs | 75lbs |
| SQUARE LED | 9lbs | 21lbs | 28lbs | 54lbs | 100lbs |

WARNING: Ground fixture in accordance with local and national electrical codes. Failure to do so may result in serious personal injury. Fixture installations should ONLY be done by a qualified licensed electrical professional.

| PART | PART NO. | DESCRIPTION | QTY |
|------|----------|-------------|-----|
|------|----------|-------------|-----|

MOUNTING STRAP KIT:

| | | | |
|-------------------------------|--------------|---|-----------------------------------|
| | 19031 | X3 Mounting Strap | 1 |
| | 100-00284-14 | 1/2" IPS Brass Nipple | SINGLE FEED: 1 DUAL FEED: 2 |
| | 100-00239-14 | 1/2" IPS Brass Knurled Nut | SINGLE FEED: 1 DUAL FEED: 2 |
| | 100-00078-07 | 2" Ø Canopy (1 Hole) (CAX NON-POWERED) | 12", 18" + 24": 3 36" + 48": 5 |
| | 28975 | 5 1/2" Ø SPF Canopy (2 Hole) (CCAX POWERED) | SINGLE FEED: 1 |
| | 65392 | 5 1/2" Ø DPF Canopy (3 Hole) (CCAX POWERED) | DUAL FEED: 1 |
| | 100-00264-14 | Metal Strain Relief Bushing | SINGLE FEED: 1 DUAL FEED: 2 |
| | 100-00319-14 | WHITE Threaded Bushing | SINGLE FEED: 1 |
| | 100-00316-14 | BLACK Threaded Bushing | DUAL FEED: 2 |
| | 100-00318-14 | WHITE 5/8" Universal Bushing | SINGLE FEED: 1 |
| | 100-00321-14 | BLACK 5/8" Universal Bushing | DUAL FEED: 2 |
| PLASTIC STRAIN RELIEF: | | | |
| | 100-00228-14 | WHITE 3/4 Wire | SINGLE FEED: 1 |
| | 100-00309-14 | BLACK 3/4 Wire | DUAL FEED: 2 |
| | 100-00346-14 | WHITE 5/6 Wire | SINGLE FEED: 1 |
| | 100-00308-14 | BLACK 5/6 Wire | DUAL FEED: 2 |

Gaze | Round & Square

CAX & CCAX Pendant Mount



PRUDENTIAL LTG.

PRULITE.COM 213.746.0360

INSTALLATION INSTRUCTIONS

X1 — T-BAR — ON/OFF-GRID

⚠️ MAY REQUIRE TWO PEOPLE TO INSTALL

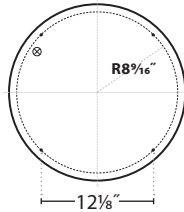
CA CABLE MOUNTING DIMENSIONS

ROUND:

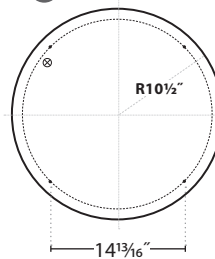
12



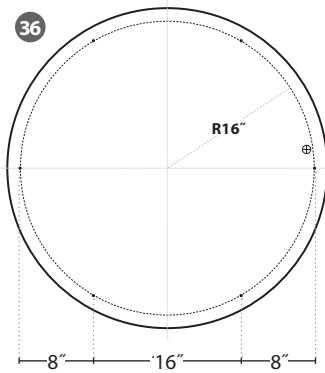
18



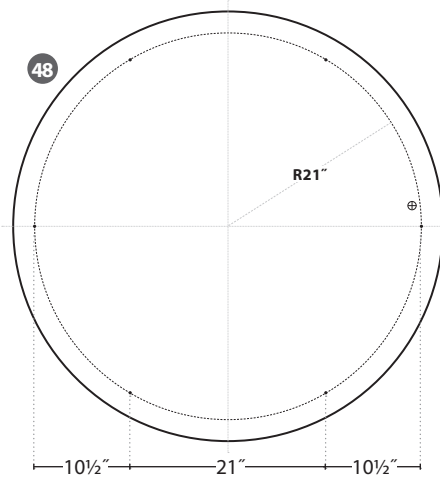
24



36



48



⊕ 7/8" K.O. for Cord Drop

- Mounting Locations

WARNING: Ground fixture in accordance with local and national electrical codes. Failure to do so may result in serious personal injury. Fixture Installations should ONLY be done by a qualified licensed electrical professional.

Gaze | Round & Square

CAX & CCAX Pendant Mount

INSTALLATION INSTRUCTIONS

X1 — T-BAR — ON/OFF-GRID



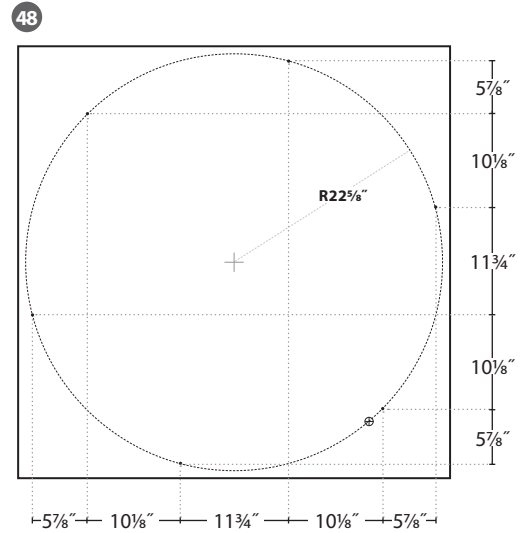
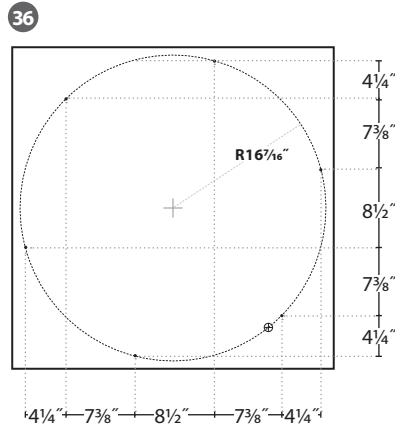
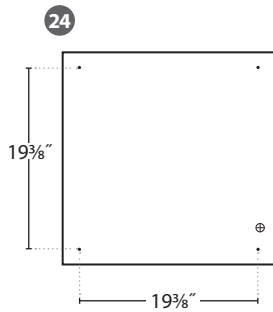
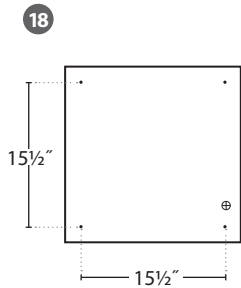
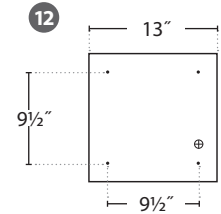
PRUDENTIAL LTG.

PRULITE.COM 213.746.0360

👤👤 MAY REQUIRE TWO PEOPLE TO INSTALL

CA CABLE MOUNTING DIMENSIONS

SQUARE:



⊕ 7/8" K.O. for Cord Drop

• Mounting Locations

WARNING: Ground fixture in accordance with local and national electrical codes. Failure to do so may result in serious personal injury. Fixture Installations should ONLY be done by a qualified licensed electrical professional.

Gaze | Round & Square

CAX & CCAX Pendant Mount

INSTALLATION INSTRUCTIONS

X1 — T-BAR — ON/OFF-GRID

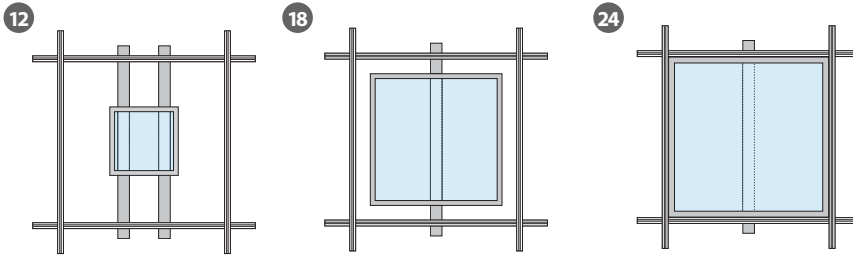


PRUDENTIAL LTG.

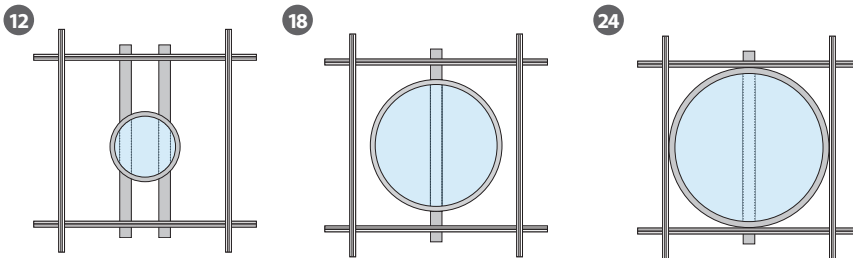
PRULITE.COM 213.746.0360

2x2 OFF- GRID MOUNTING

SQUARE



ROUND



WARNING: Ground fixture in accordance with local and national electrical codes. Failure to do so may result in serious personal injury. Fixture Installations should ONLY be done by a qualified licensed electrical professional.

Gaze | Round & Square

CAX & CCAX Pendant Mount

INSTALLATION INSTRUCTIONS

X1 — T-BAR — ON/OFF-GRID

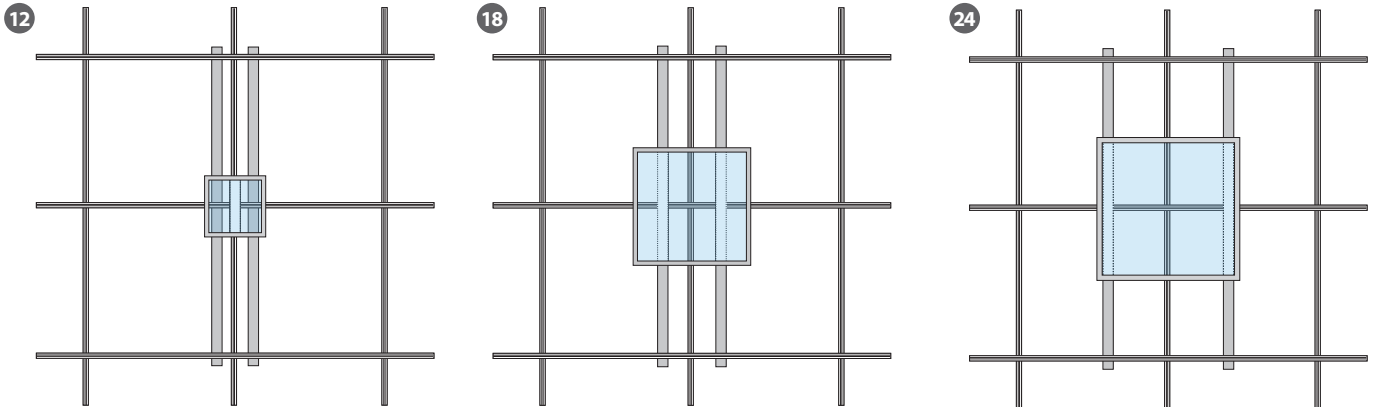


PRUDENTIAL LTG.

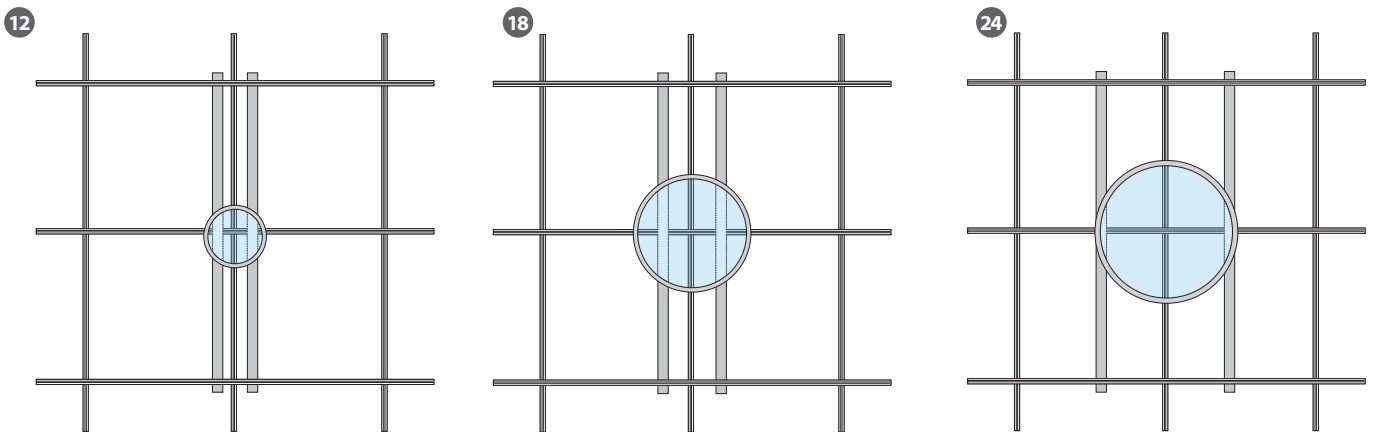
PRULITE.COM 213.746.0360

2x2 ON- GRID MOUNTING

SQUARE



ROUND



WARNING: Ground fixture in accordance with local and national electrical codes. Failure to do so may result in serious personal injury. Fixture Installations should ONLY be done by a qualified licensed electrical professional.

Gaze | Round & Square

CAX & CCAX Pendant Mount

INSTALLATION INSTRUCTIONS

X1 — T-BAR — ON/OFF-GRID

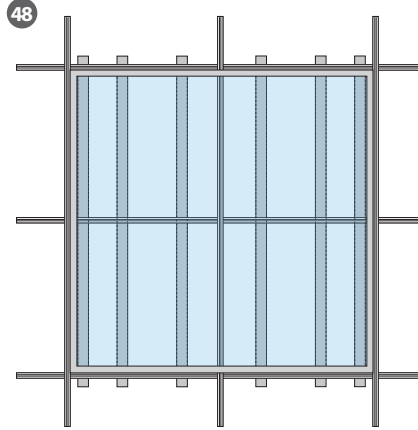
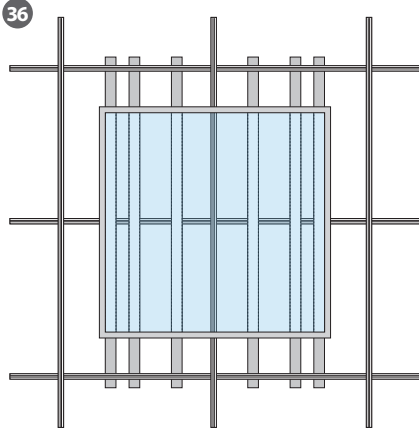


PRUDENTIAL LTG.

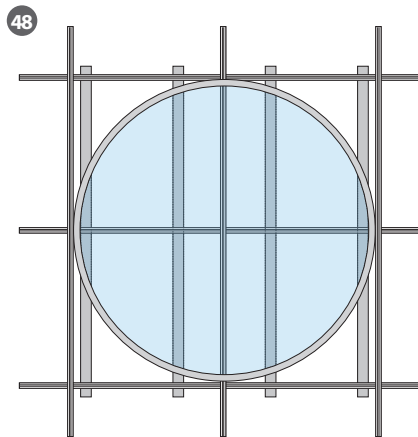
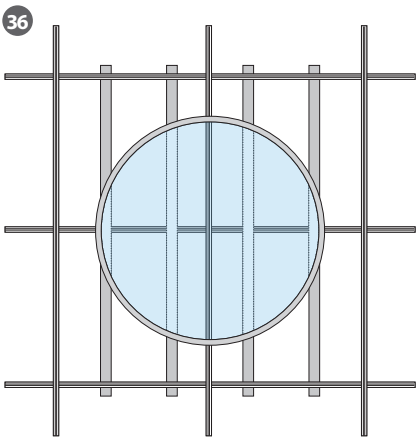
PRULITE.COM 213.746.0360

2x2 ON- GRID MOUNTING

SQUARE



ROUND



WARNING: Ground fixture in accordance with local and national electrical codes. Failure to do so may result in serious personal injury. Fixture Installations should ONLY be done by a qualified licensed electrical professional.



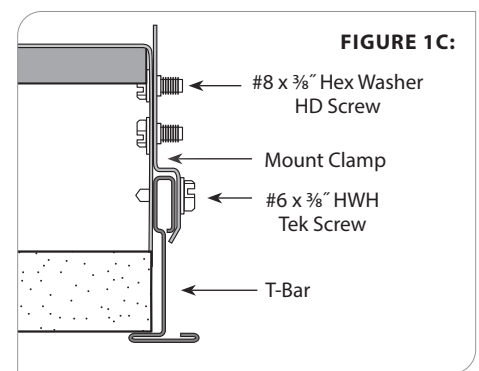
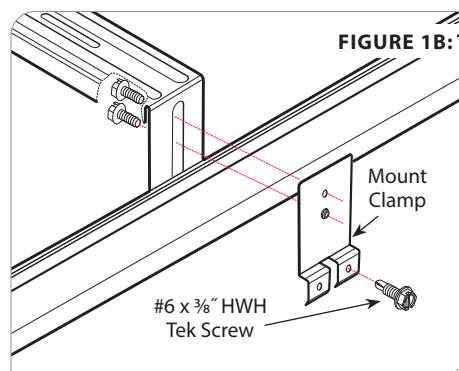
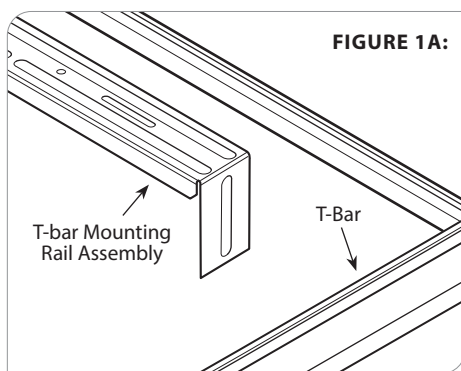
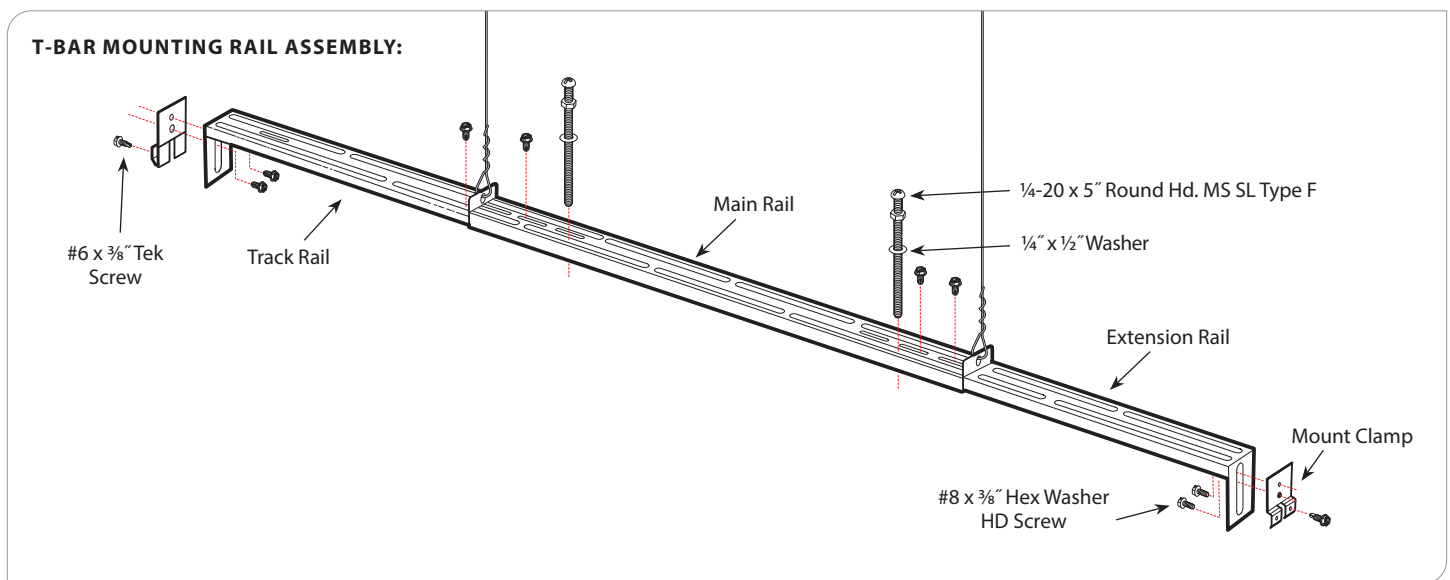
INSTALLATION INSTRUCTIONS

X1 — T-BAR — ON/OFF-GRID

👤👤 MAY REQUIRE TWO PEOPLE TO INSTALL

INSTALLATION

1. Use mounting dimensions provided to layout mounting location on ceiling tiles.
2. Drill (3) $\frac{3}{8}$ " holes in ceiling tiles to match mounting dimensions provided. Fourth mounting location to be a clearance hole for the junction box (by others), the max size of the opening must not exceed $3\frac{3}{4}$ " x $3\frac{3}{4}$ " (Figures 2A, page 5). The box is assumed to be mounted on the centerline of the fourth mounting hole.
3. Extend T-BAR mounting rail assembly (101962) to fit t-bar grid. (Figures 1A & 1B). (8-32 x $\frac{1}{2}$ " Washer HD screws may need to be removed to expand rails).
4. Place T-BAR mounting rail assembly against inner wall of t-bar with clamps.
5. Secure assembly to t-bar with clamps (Figures 1B & 1C).
6. Drive #6 x $\frac{3}{8}$ " Tek Screws through clamp and t-bar.



WARNING: Ground fixture in accordance with local and national electrical codes. Failure to do so may result in serious personal injury. Fixture Installations should ONLY be done by a qualified licensed electrical professional.



INSTALLATION INSTRUCTIONS

X1 — T-BAR — ON/OFF-GRID

👤👤 MAY REQUIRE TWO PEOPLE TO INSTALL

7. Place (3) 1/4-20 x 5" bolts to t-bar mounting rail assembly. Be sure bolts are aligned with hole pattern cut in ceiling tiles. (Figure 2A).
8. Adjust fender washers against back of ceiling tile to prevent movement (Figure 2B).
9. Be sure bolts protrude through ceiling by 3/4" to properly support canopy and cable hardware (Figure 2C).
10. T-Bar Mounting Rails **MUST** be tied to structure above using support wire (by others) (Figures 2A & 2B).

FIGURE 2A

Cut clearance for J-Box
at one location
(3 3/4" x 3 3/4" max
opening).

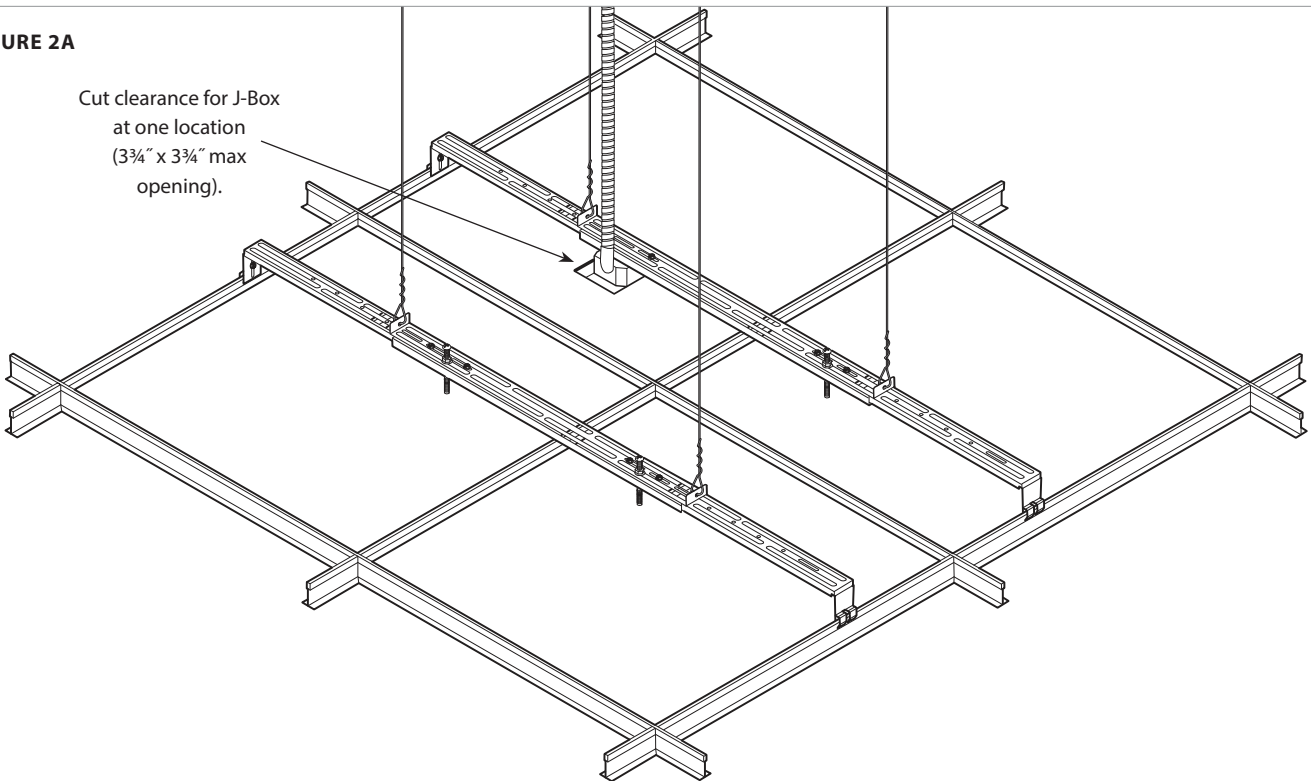


FIGURE 2B

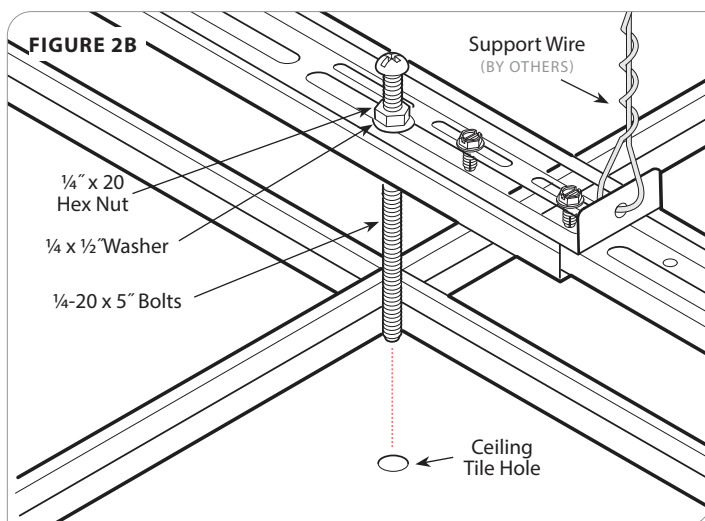
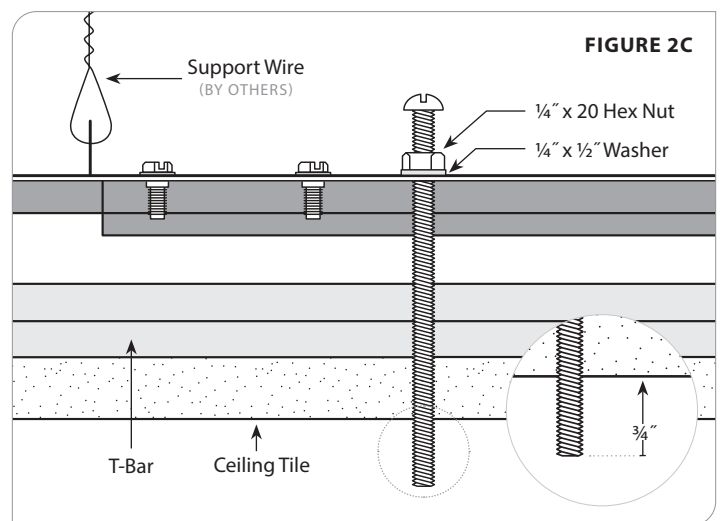


FIGURE 2C

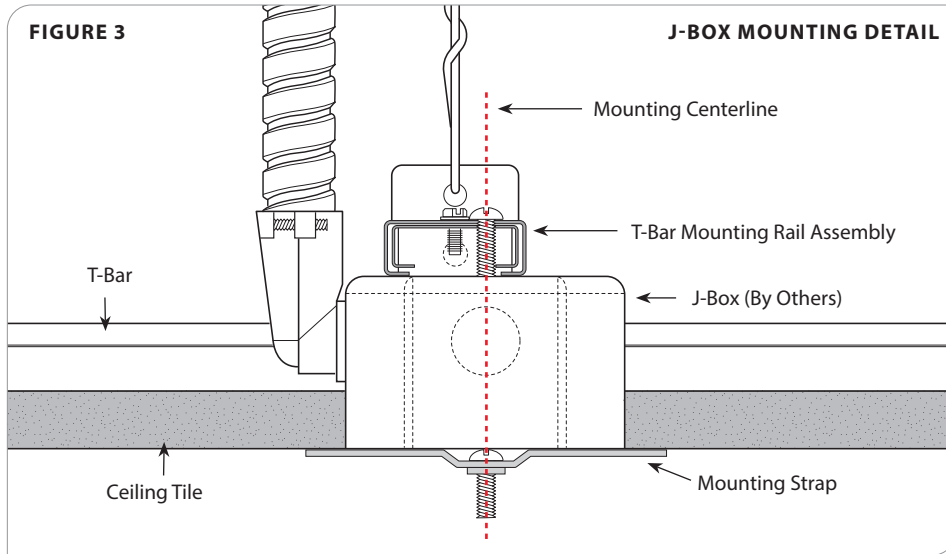


WARNING: Ground fixture in accordance with local and national electrical codes. Failure to do so may result in serious personal injury. Fixture Installations should **ONLY** be done by a qualified licensed electrical professional.



👤👤 MAY REQUIRE TWO PEOPLE TO INSTALL

11. Mount J-Box (by others) to underside of T-Bar mounting rail assembly (Figure 3). Contractor to provide appropriate hardware for mounting J-Box.



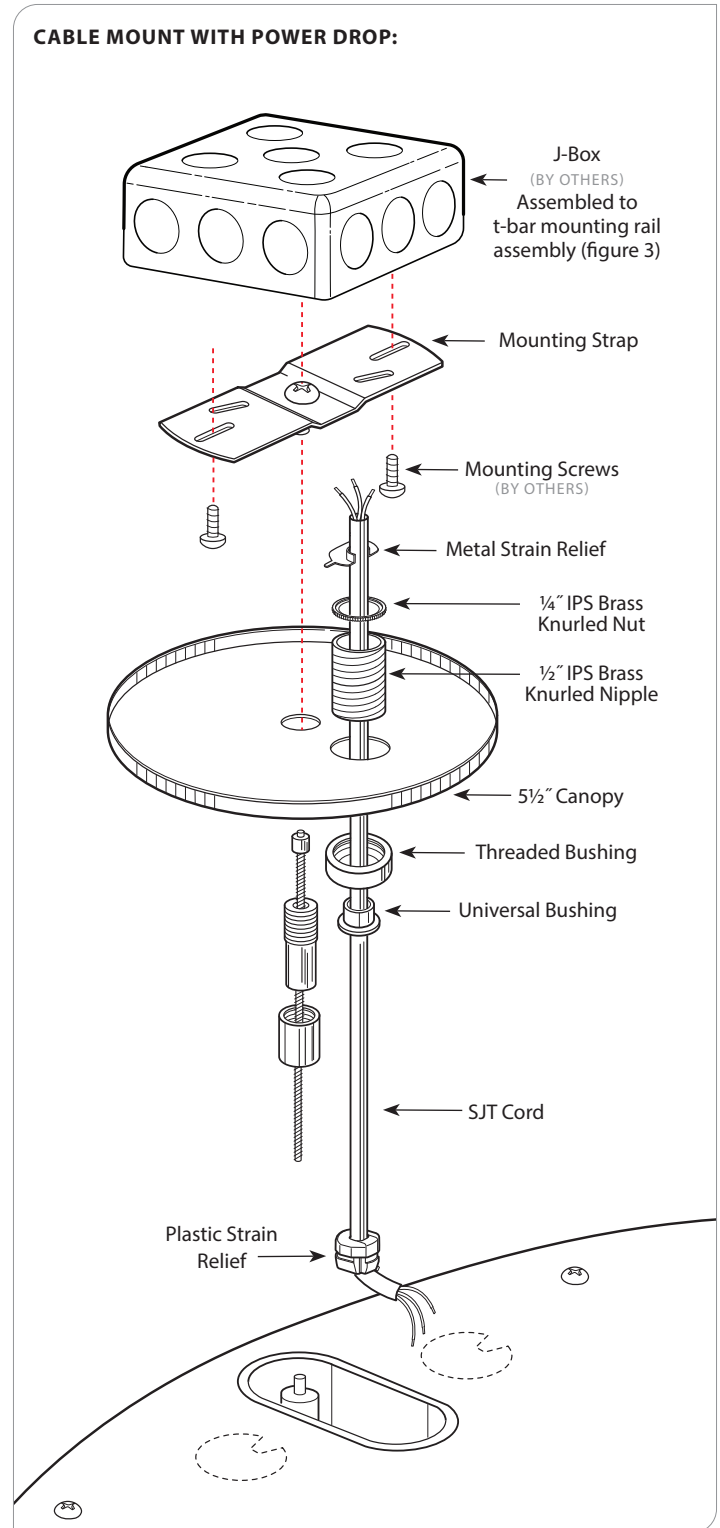
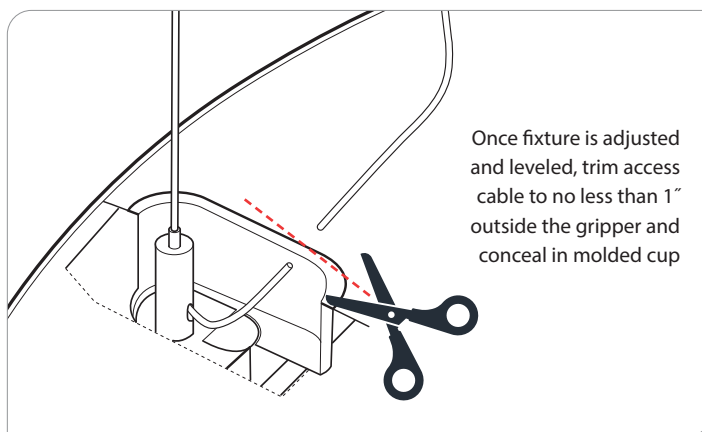
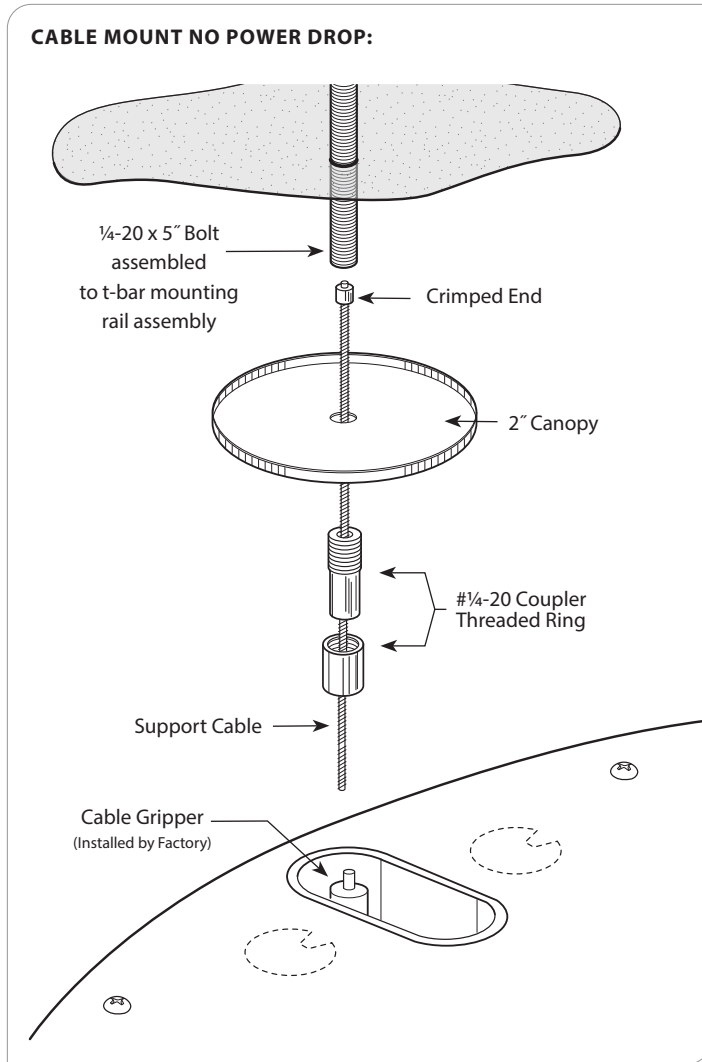
WARNING: Ground fixture in accordance with local and national electrical codes. Failure to do so may result in serious personal injury. Fixture Installations should ONLY be done by a qualified licensed electrical professional.



INSTALLATION INSTRUCTIONS

X1 — T-BAR — ON/OFF-GRID

👤👤 MAY REQUIRE TWO PEOPLE TO INSTALL



WARNING: Ground fixture in accordance with local and national electrical codes. Failure to do so may result in serious personal injury. Fixture Installations should ONLY be done by a qualified licensed electrical professional.

Gaze | Round & Square CAX & CCAX Pendant Mount

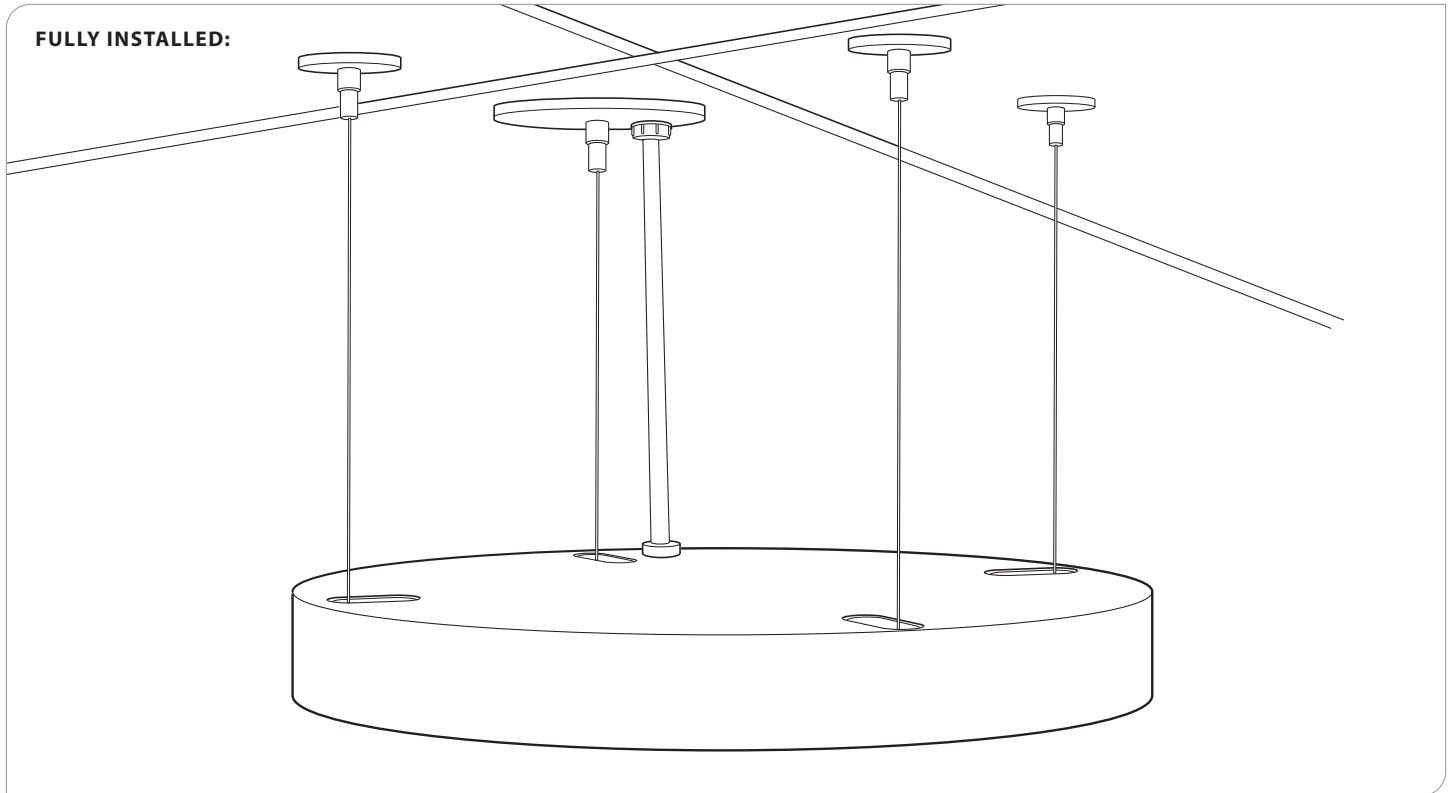
INSTALLATION INSTRUCTIONS

X1 — T-BAR — ON/OFF-GRID



PRUDENTIAL LTG.

PRULITE.COM 213.746.0360



WARNING: Ground fixture in accordance with local and national electrical codes. Failure to do so may result in serious personal injury. Fixture Installations should ONLY be done by a qualified licensed electrical professional.