

Gaze | Round & Square

CAX & CCAX Pendant Mount

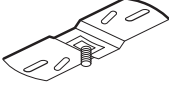
INSTALLATION INSTRUCTIONS

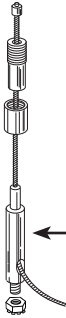
X3 — HARD CEILING



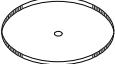







PRUDENTIAL LTG.


PRULITE.COM 213.746.0360

PART	PART NO.	DESCRIPTION	QTY
MOUNTING STRAP KIT:			
	19031	X3 Mounting Strap	12", 18" + 24": 4 36" + 48": 6

SUPPORT CABLE:			
	100-00039-08	53"	12", 18" + 24": 4
	100-00085-08	100"	36" + 48": 6
	100-00042-08	200"	
	(CABLE GRIPPER WILL BE INSTALLED BY FACTORY)		

	100-00284-14	1/2" IPS Brass Nipple	SINGLE FEED: 1 DUAL FEED: 2
	100-00239-14	1/2" IPS Brass Knurled Nut	SINGLE FEED: 1 DUAL FEED: 2
	100-00006-08	5 1/2" Ø Canopy (1 Hole) (CAX NON-POWERED)	12", 18" + 24": 3 36" + 48": 5
	28975	5 1/2" Ø SPF Canopy (2 Hole) (CCAX - POWERED)	SINGLE FEED: 1
	65392	5 1/2" Ø DPF Canopy (3 Hole) (CCAX POWERED)	DUAL FEED: 1
	100-00264-14	Metal Strain Relief Bushing	SINGLE FEED: 1 DUAL FEED: 2
	100-00319-14	WHITE Threaded Bushing	SINGLE FEED: 1
	100-00316-14	BLACK Threaded Bushing	DUAL FEED: 2
	100-00318-14	WHITE 5/8" Universal Bushing	SINGLE FEED: 1
	100-00321-14	BLACK 5/8" Universal Bushing	DUAL FEED: 2

PLASTIC STRAIN RELIEF:			
	100-00228-14	WHITE 3/4 Wire	SINGLE FEED: 1
	100-00309-14	BLACK 3/4 Wire	DUAL FEED: 2
	100-00346-14	WHITE 5/6 Wire	SINGLE FEED: 1
	100-00308-14	BLACK 5/6 Wire	DUAL FEED: 2

18GA SJT CORD:				
	3 WIRE	4 WIRE	5 WIRE	6 WIRE
	WHITE 100-00023-09	100-00024-09	100-00912-09	100-01002-09
	BLACK 100-00956-09	100-00025-09	100-00933-09	100-00317-09

FIXTURE WEIGHTS:

	12"	18"	24"	36"	48"
ROUND LED	8lbs	17lbs	23lbs	44lbs	75lbs
SQUARE LED	9lbs	21lbs	28lbs	54lbs	100lbs

WARNING: Ground fixture in accordance with local and national electrical codes. Failure to do so may result in serious personal injury. Fixture Installations should ONLY be done by a qualified licensed electrical professional.



INSTALLATION INSTRUCTIONS

X3 — HARD CEILING

PRULITE.COM 213.746.0360

⚠️ MAY REQUIRE TWO PEOPLE TO INSTALL

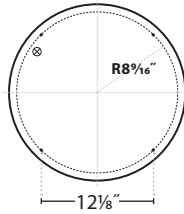
CA CABLE MOUNTING DIMENSIONS

ROUND:

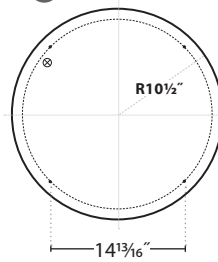
12



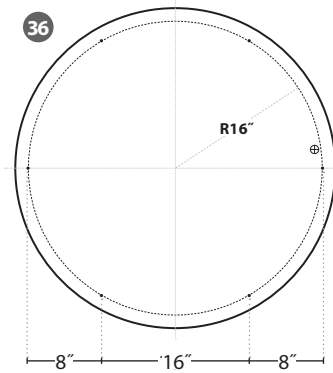
18



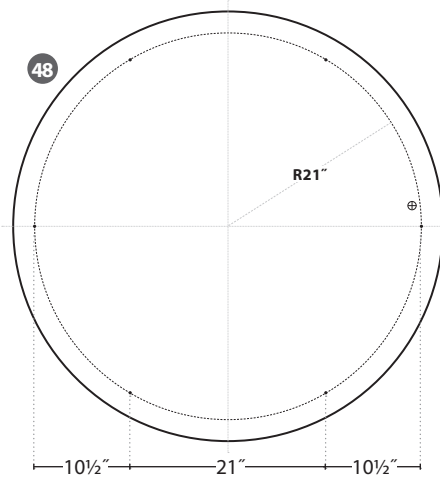
24



36



48



⊕ 7/8" K.O. for Cord Drop

- Mounting Locations

WARNING: Ground fixture in accordance with local and national electrical codes. Failure to do so may result in serious personal injury. Fixture Installations should ONLY be done by a qualified licensed electrical professional.



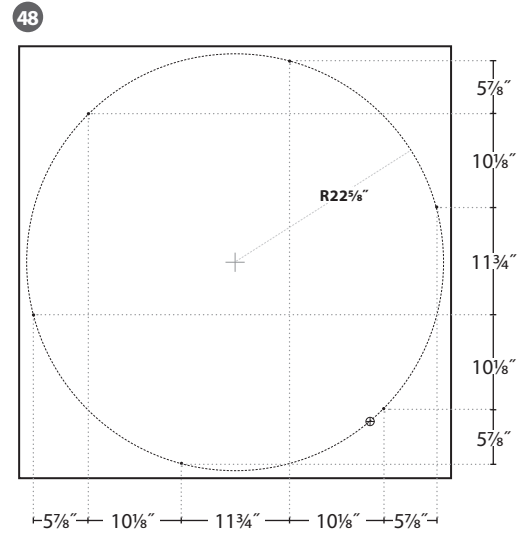
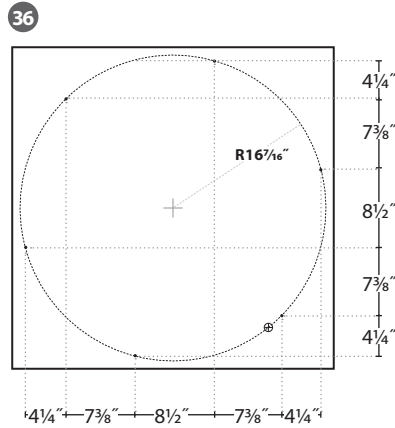
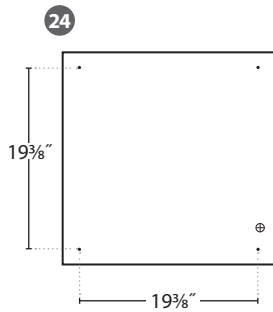
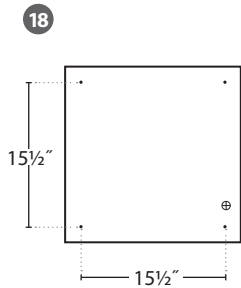
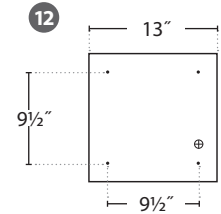
INSTALLATION INSTRUCTIONS

X3 — HARD CEILING

👤👤 MAY REQUIRE TWO PEOPLE TO INSTALL

CA CABLE MOUNTING DIMENSIONS

SQUARE:



⊕ 7/8" K.O. for Cord Drop

• Mounting Locations

WARNING: Ground fixture in accordance with local and national electrical codes. Failure to do so may result in serious personal injury. Fixture Installations should ONLY be done by a qualified licensed electrical professional.

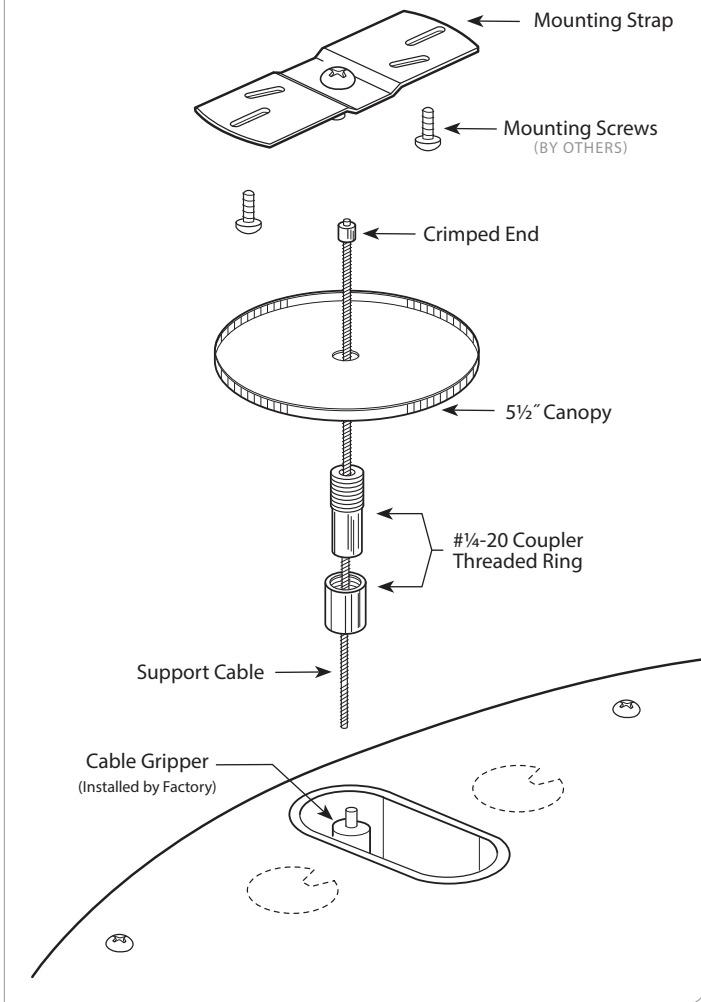


INSTALLATION INSTRUCTIONS

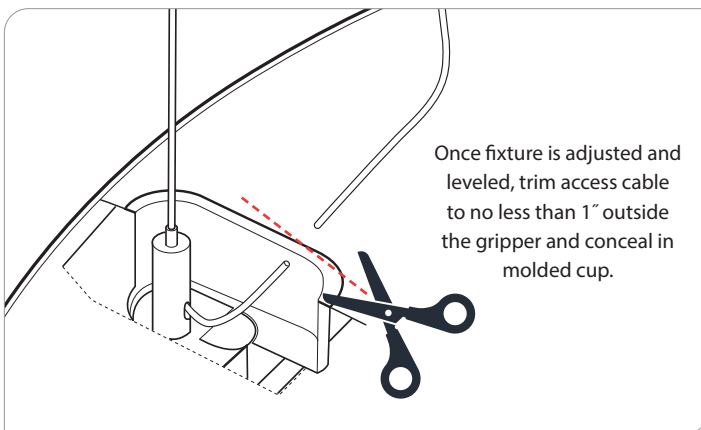
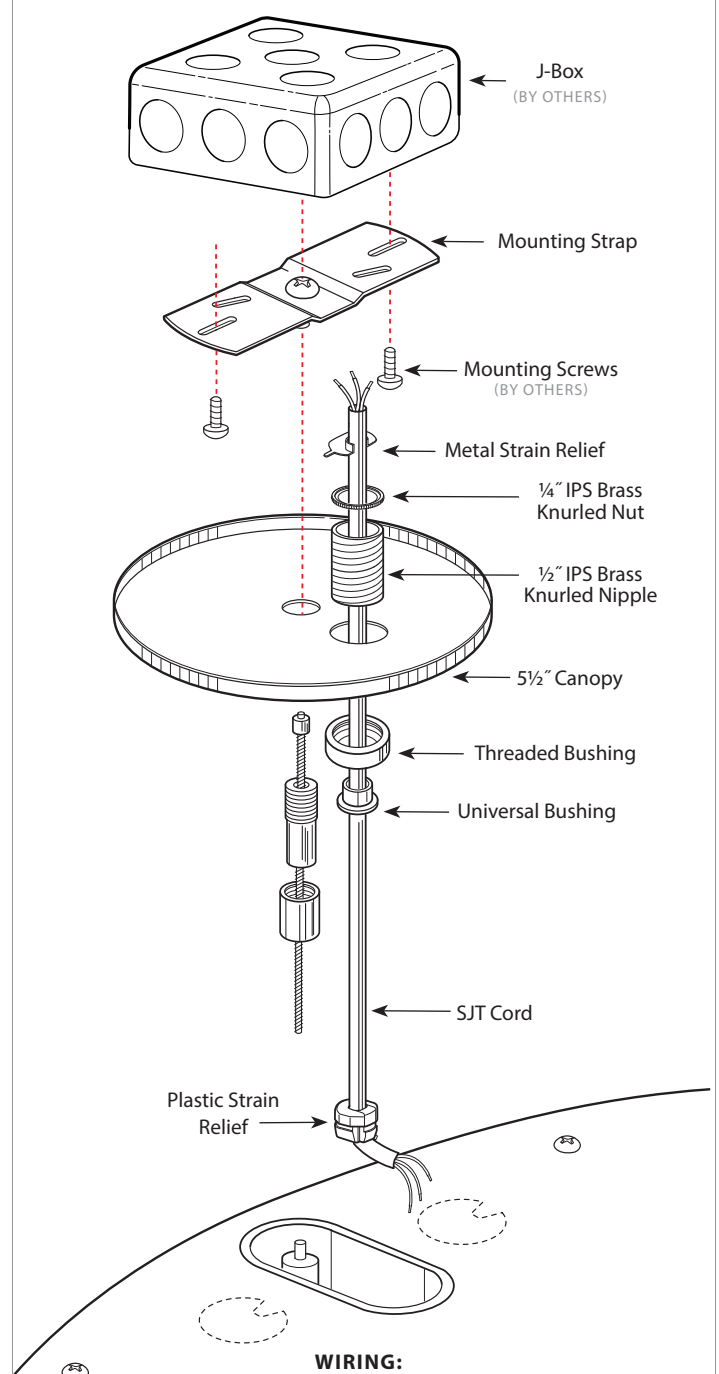
PRULITE.COM 213.746.0360

X3 — HARD CEILING

CABLE MOUNT NO POWER DROP:



CABLE MOUNT WITH POWER DROP:



WIRING:

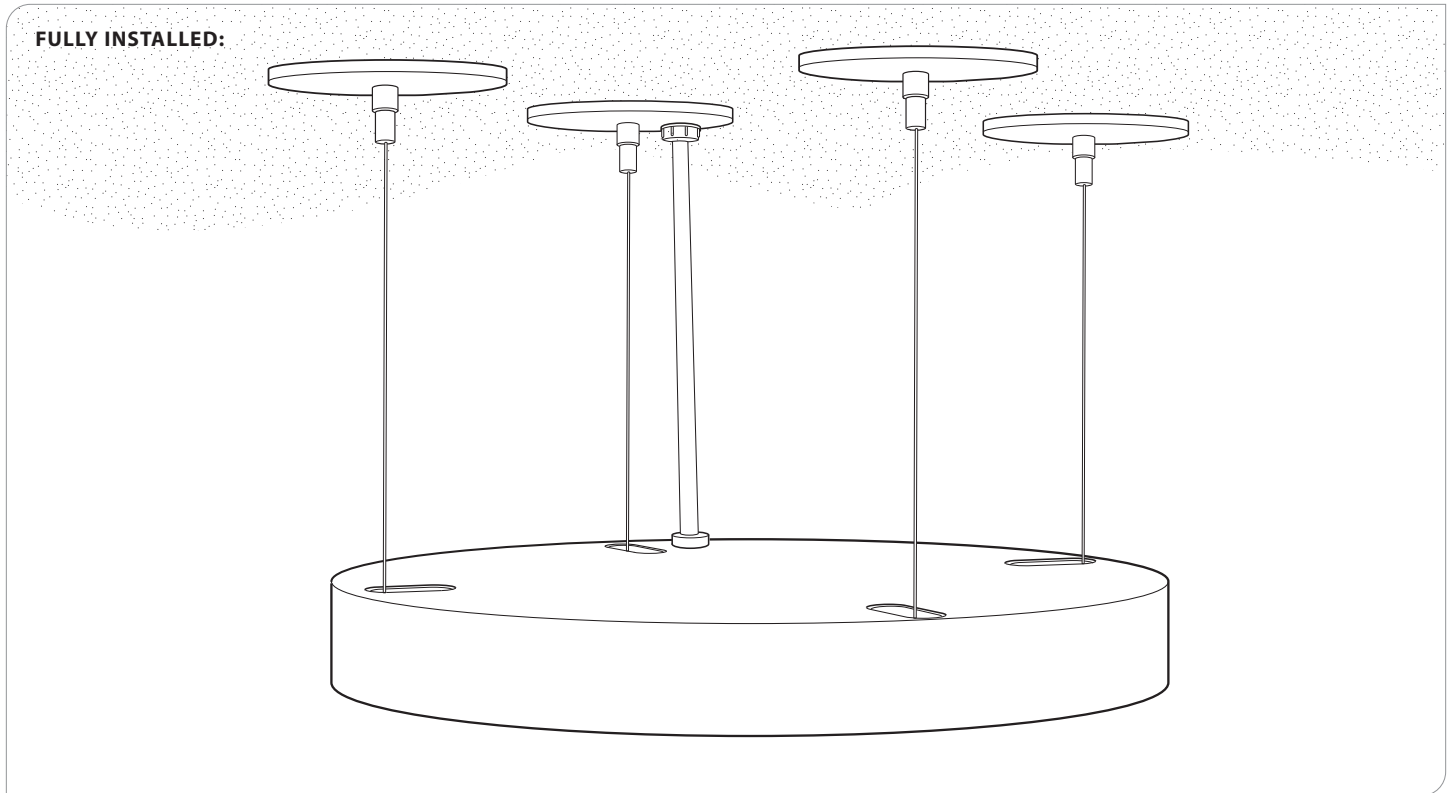
- HOT : BLACK
- NEUTRAL : WHITE
- GROUND : GREEN
- CONSTANT OR SECOND CONDUIT HOT (EM) : RED
- LOW VOLTAGE (+) : PURPLE
- LOW VOLTAGE (-) : PINK

WARNING: Ground fixture in accordance with local and national electrical codes. Failure to do so may result in serious personal injury. Fixture Installations should ONLY be done by a qualified licensed electrical professional.



INSTALLATION INSTRUCTIONS

X3 — HARD CEILING



WARNING: Ground fixture in accordance with local and national electrical codes. Failure to do so may result in serious personal injury. Fixture Installations should ONLY be done by a qualified licensed electrical professional.