

BoltPro — Side Mount / Inside-Outside

Cable Mount

INSTALLATION INSTRUCTIONS

X3 — HARD CEILING

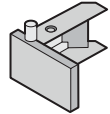


PRUDENTIAL LTG.

PRULITE.COM 213.746.0360

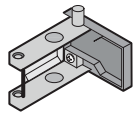
PARTS LIST	PART NO.	DESCRIPTION
------------	----------	-------------

FINISH PLATES



110002

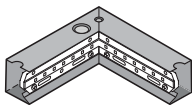
LEFT — Side Mount
Die Cast End Plate



110003

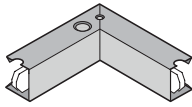
RIGHT — Side Mount
Die Cast End Plate

CORNERS



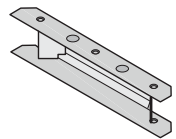
105786

C21 — Inside Corner



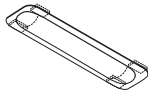
105787

C20 — Outside Corner



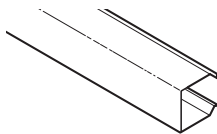
108348

Joiner Bracket



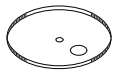
138571

Magnetic Flash Suppression Device



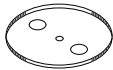
Lens

CANOPIES:



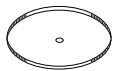
28975

5 1/2" Ø SPF Canopy (2 Hole)



65392

5 1/2" Ø DPF Canopy (3 Hole)



100-00006-08

5 1/2" Ø NPF Canopy (1 Hole)

18GA SJT CORD:

3 WIRE

4 WIRE

5 WIRE

6 WIRE



WHITE

100-00023-09

100-00024-09

100-00912-09

100-01002-09

WHITE 600v

100-00059-09

100-00060-09

100-00919-09

100-00604-09

BLACK

100-00956-09

100-00025-09

100-00933-09

100-00317-09

BLACK 600v

100-00318-09

100-00606-09

100-00457-09

100-00607-09

PARTS LIST	PART NO.	DESCRIPTION
------------	----------	-------------

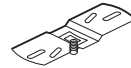
PRU CABLE ASSEMBLY:



100-00039-08 53"

100-00085-08 100" Aircraft Cable

100-00042-08 200"



19031

Mounting Strap



100-00262-14 3/4 WIRE

Metal Strain Relief Bushing

100-00264-14 5/6 WIRE



100-00319-14 WHITE

Threaded Bushing

100-00316-14 BLACK



100-00318-14 WHITE

5/8" Universal Bushing

100-00321-14 BLACK



100-00284-14

1/2" x 1 1/8" IPT Brass Threaded Nipple



100-00239-14

1/2" IP Knurled Nut



100-00228-14 3/4 WIRE

Plastic Strain Relief Bushing

100-00346-14 5/6 WIRE

WARNING: Ground fixture in accordance with local and national electrical codes. Failure to do so may result in serious personal injury. Fixture installations should ONLY be done by a qualified licensed electrical professional.



Prudential Ltg. reserves the right to change design specifications or materials without notice. Please visit prulite.com for most current data. © 2025 All rights reserved – All products manufactured at: Prudential Ltg. 1774 E. 21st Street, Los Angeles, CA 90058

BoltPro — Side Mount / Inside-Outside

Cable Mount

INSTALLATION INSTRUCTIONS

X3 — HARD CEILING



PRUDENTIAL LTG.

PRULITE.COM 213.746.0360

GENERAL NOTES

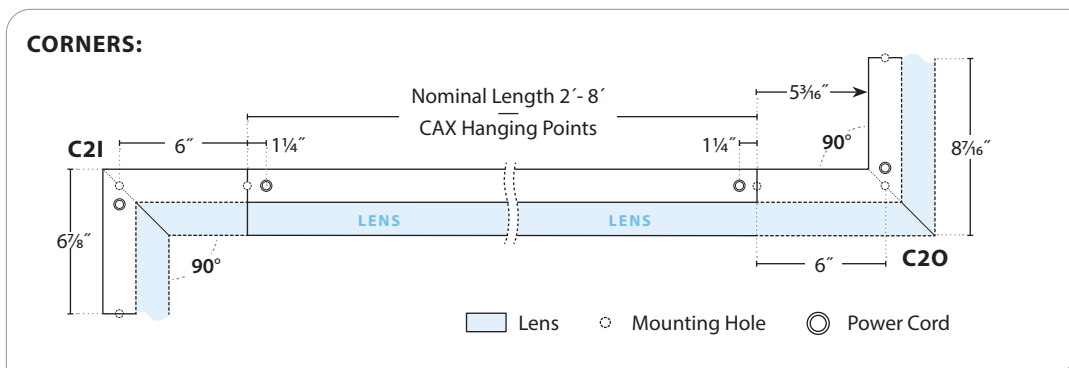
- See row diagram or Prudential Ltg. layout plan (if provided). Begin all row mounting from left to right (see arrows).
- Depending upon ceiling or wall construction reinforcement may be required at mounting locations.
- Power cord provided in bulk and is to be cut to length and stripped by installer unless "PIF" is specified.

NOTE: Must have at least one corner per pattern.

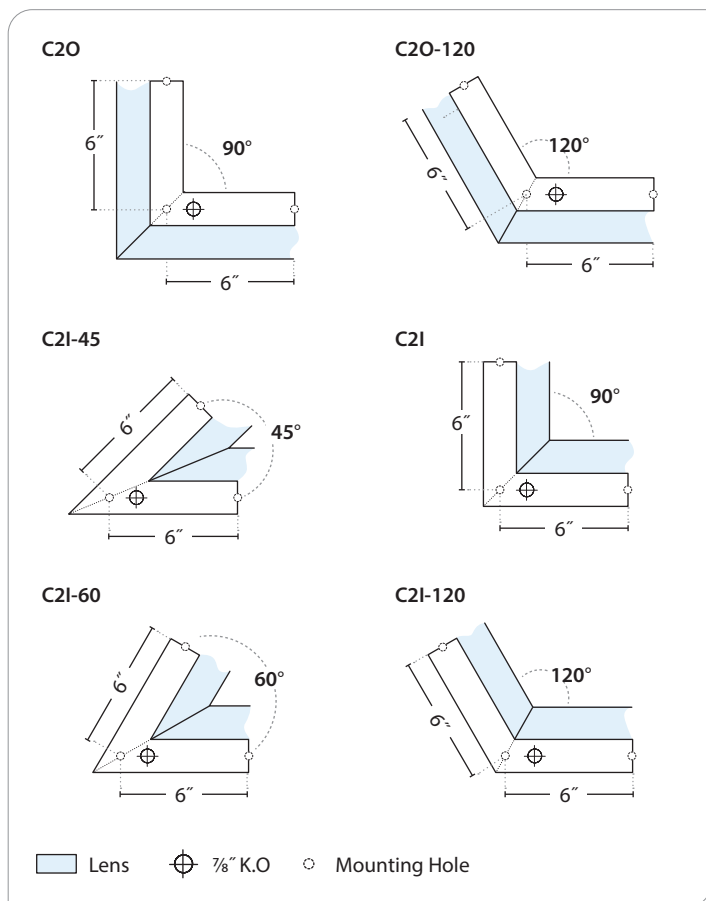
CONTINUOUS ROW

- Install one fixture section at a time.
- Some field trimming of lenses may be required (see layout drawing).
- We recommend using a chop saw with an 80 tooth blade for trimming lenses.

MOUNTING LOCATIONS



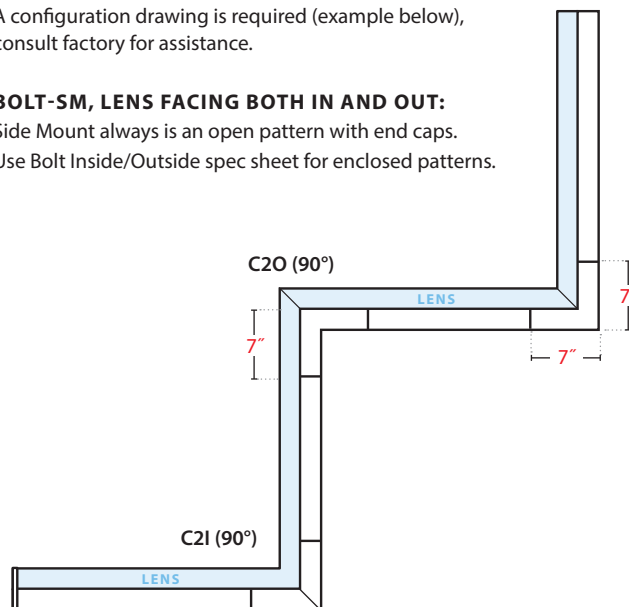
CORNERS



BOLTPRO SIDE MOUNT

A configuration drawing is required (example below), consult factory for assistance.

BOLT-SM, LENS FACING BOTH IN AND OUT:
Side Mount always is an open pattern with end caps.
Use Bolt Inside/Outside spec sheet for enclosed patterns.



WARNING: Ground fixture in accordance with local and national electrical codes. Failure to do so may result in serious personal injury. Fixture Installations should ONLY be done by a qualified licensed electrical professional.

BoltPro — Side Mount / Inside-Outside

Cable Mount

INSTALLATION INSTRUCTIONS

X3 — HARD CEILING



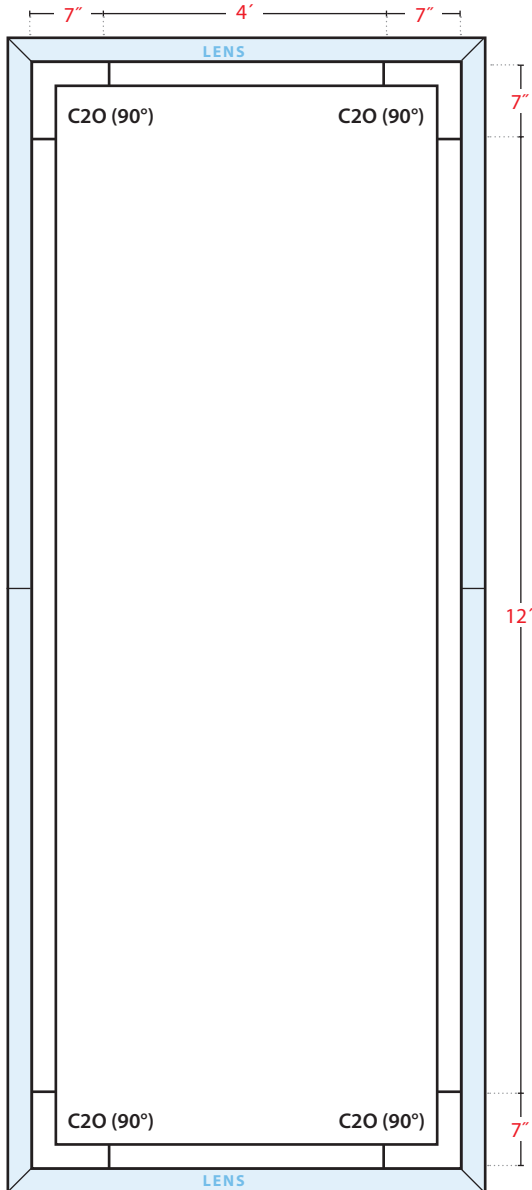
PRUDENTIAL LTG.

PRULITE.COM 213.746.0360

BOLTPRO INSIDE-OUTSIDE

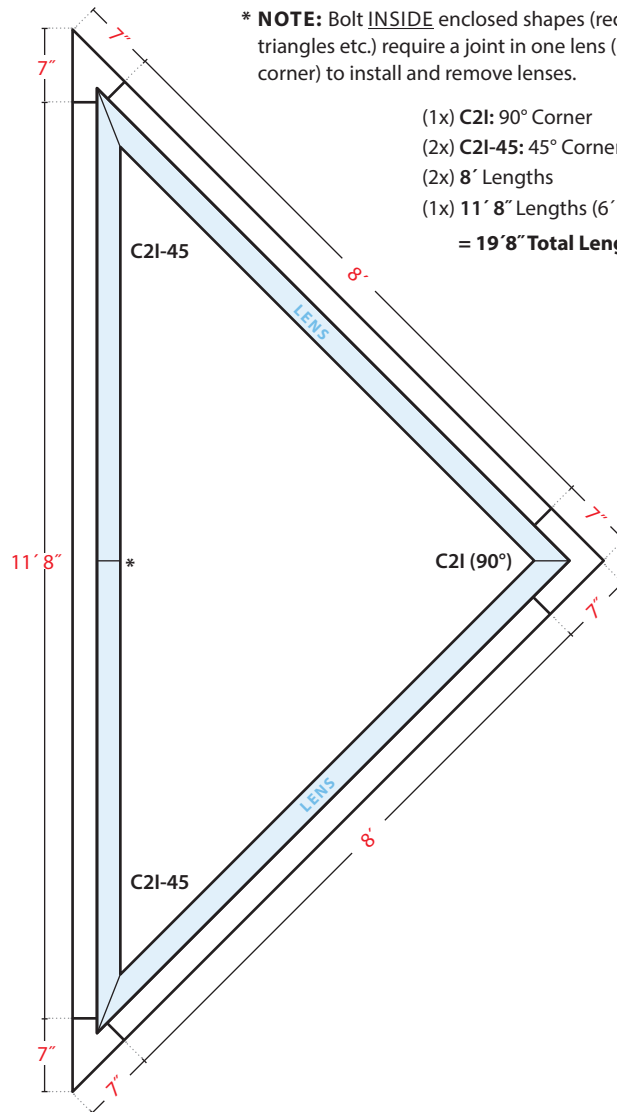
SPECIFYING PATTERNS: A configuration drawing is required (examples below), consult factory for assistance.

BOLT-O, LENS FACING OUT EXAMPLE:



- (4x) C20: 90° Corner
- (2x) 4' Lengths
- (2x) 12' Lengths (6' Segments)
- = 32' Total Length**

BOLT-I, LENS FACING IN EXAMPLE:



* **NOTE:** Bolt INSIDE enclosed shapes (rectangles, triangles etc.) require a joint in one lens (not a corner) to install and remove lenses.

- (1x) C2I: 90° Corner
- (2x) C2I-45: 45° Corner
- (2x) 8' Lengths
- (1x) 11' 8" Lengths (6' & 5' 8" Segments)
- = 19' 8" Total Length**

WARNING: Ground fixture in accordance with local and national electrical codes. Failure to do so may result in serious personal injury. Fixture Installations should ONLY be done by a qualified licensed electrical professional.

BoltPro — Side Mount / Inside-Outside

Cable Mount

INSTALLATION INSTRUCTIONS

X3 — HARD CEILING



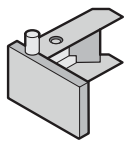
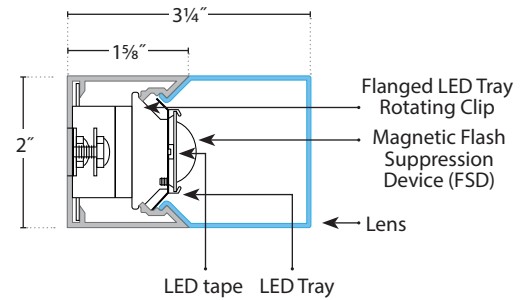
PRUDENTIAL LTG.

PRULITE.COM 213.746.0360

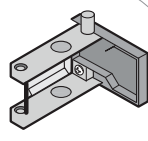
INDIVIDUAL

1. Install cable hardware on ceiling (see separate cable installation instructions).
2. Attach plastic strain relief bushing to end of power cord (figure 1).
3. Attach aircraft cables to housing by screwing the cable gripper into housing at mounting location.
4. Wire power cord to fixture wires protruding the back of fixture housing. For fixtures with internal EM drivers, **DO NOT** plug the connectors until after normal power has been applied to the fixture.
5. Secure power cord to housing by pushing cord into exposed hole until strain relief bushing snaps into place.

CROSS SECTION

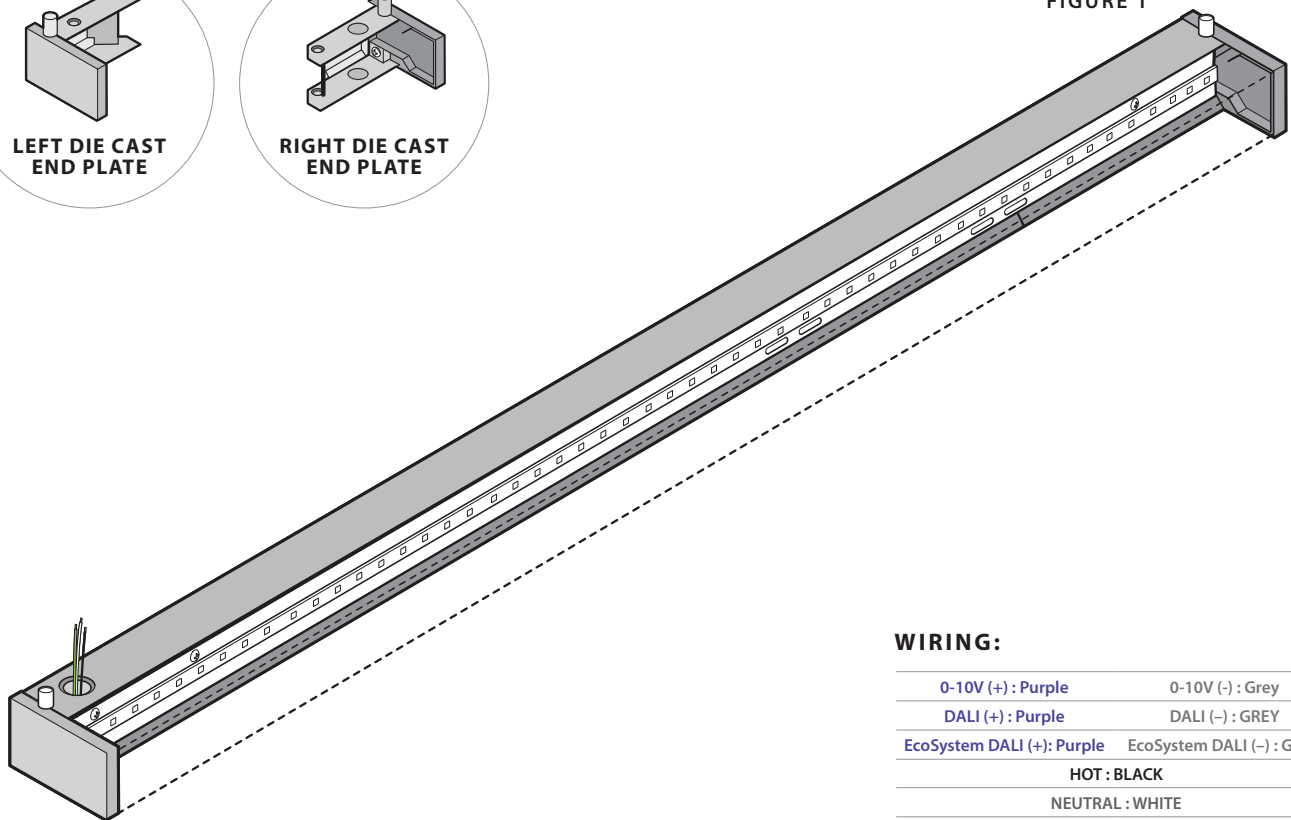


LEFT DIE CAST END PLATE



RIGHT DIE CAST END PLATE

FIGURE 1



WIRING:

0-10V (+) : Purple	0-10V (-) : Grey
DALI (+) : Purple	DALI (-) : GREY
EcoSystem DALI (+) : Purple	EcoSystem DALI (-) : GREY
HOT : BLACK	
NEUTRAL : WHITE	
GROUND : GREEN	
CONSTANT HOT (EM) : Red	

WARNING: Ground fixture in accordance with local and national electrical codes. Failure to do so may result in serious personal injury. Fixture Installations should ONLY be done by a qualified licensed electrical professional.

BoltPro — Side Mount / Inside-Outside

Cable Mount

INSTALLATION INSTRUCTIONS

X3 — HARD CEILING



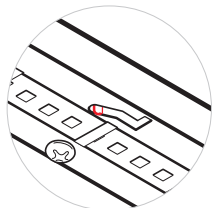
PRUDENTIAL LTG.

PRULITE.COM 213.746.0360

CONTINUOUS ROWS

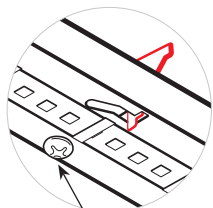
1. Unlock LED tray from clips and remove the LED tray by unplugging the LED lead wire disconnects on first fixture, remove LED Tray (figure 2).
2. Install die cast end plate to start (left end of fixture) and joiner on the seam end (figure 3).
3. Hang fixtures by screwing bottom cable gripper to the cable mounting points on both ends of start fixture.
4. Install plastic strain relief bushing to power cord and snap it into the fixture (figure 4).

ROTATING CLIP DETAIL



UNLOCK

Turn the Rotating Clip Screw counter-clockwise until the clip is loose.
DO NOT unscrew completely. Rotate the Rotating Clip counter clockwise till it dead ends in the slot holding the Rotating Clip in place, tighten the Rotating Clip Screw to maintain the Rotating Clip position.

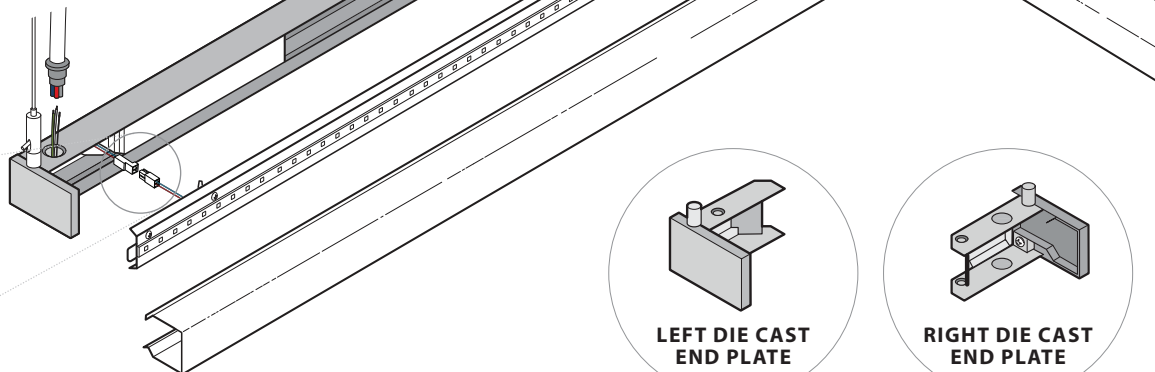
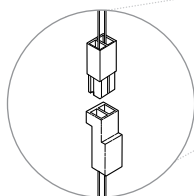


LOCK

Loosen Rotating Clip Screw until clip is loose. Move Rotating Clip clockwise until its dead end in the slot. Tighten Rotating Clip Screw.

Rotating Clip Screw

FIGURE 2



LEFT DIE CAST
END PLATE

RIGHT DIE CAST
END PLATE

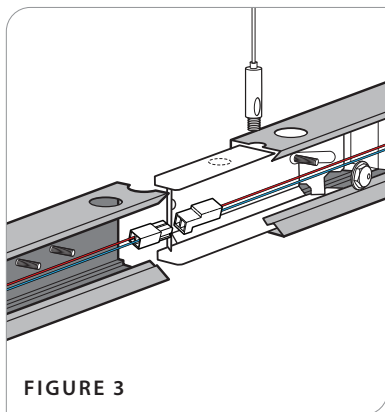


FIGURE 3

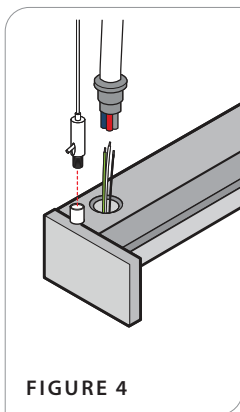
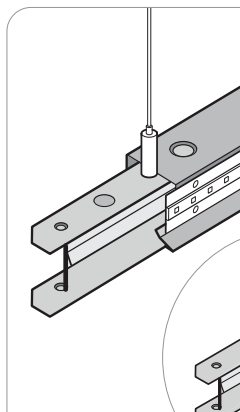
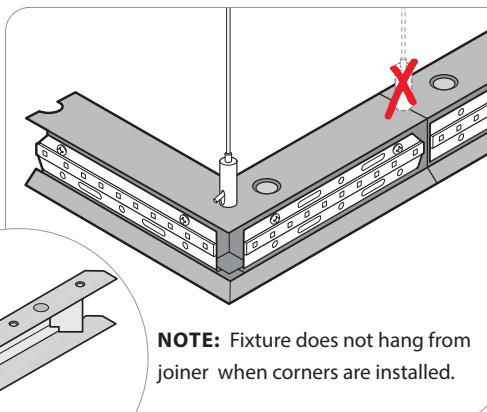


FIGURE 4



JOINER
BRACKET



NOTE: Fixture does not hang from joiner when corners are installed.

WARNING: Ground fixture in accordance with local and national electrical codes. Failure to do so may result in serious personal injury. Fixture Installations should ONLY be done by a qualified licensed electrical professional.



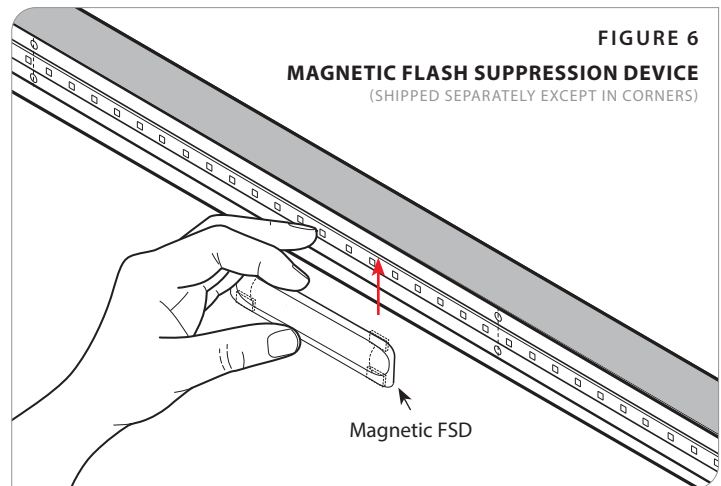
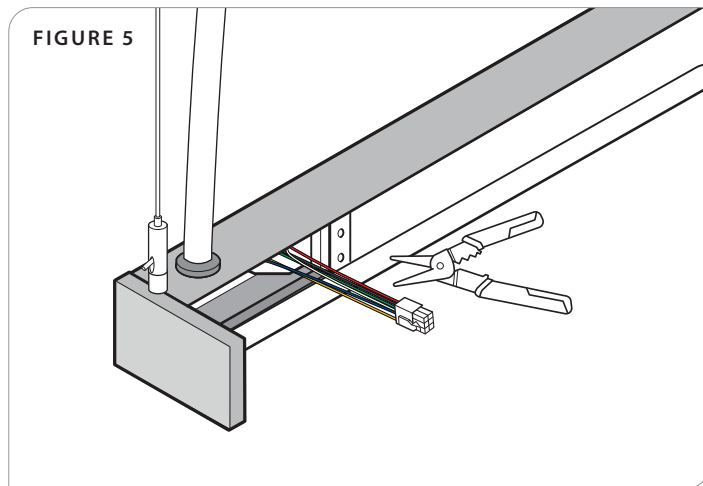
Prudential Ltg. reserves the right to change design specifications or materials without notice. Please visit prulite.com for most current data.
© 2025 All rights reserved – All products manufactured at: Prudential Ltg. 1774 E. 21st Street, Los Angeles, CA 90058

BoltPro — Side Mount / Inside-Outside Cable Mount

INSTALLATION INSTRUCTIONS

X3 — HARD CEILING

5. Cut lead end of the wire harness and strip wires. Make electrical connections (figure 5).
6. Remove reflector on all subsequent fixtures (intermediates and ends).
 - Install joiner on right end of all intermediate fixtures.
 - Install die cast end plate on right end of end fixtures.
7. Join fixture by sliding the left hand end onto joiner of previously installed fixture and secure with pal nut. Screw the cable gripper in the mounting hole on right-hand end of fixture. Continue this until all fixtures in the row are installed.
8. Plug circuit assembly together for wiring rest of row.
9. Re-install reflectors. Ensure no wires are pinched between trays and housing to avoid electrical and alignment issues.
10. Install magnetic flash suppression devices at all lens seams (figure 6).
11. Re-install lenses. Some lenses may require field trimming.



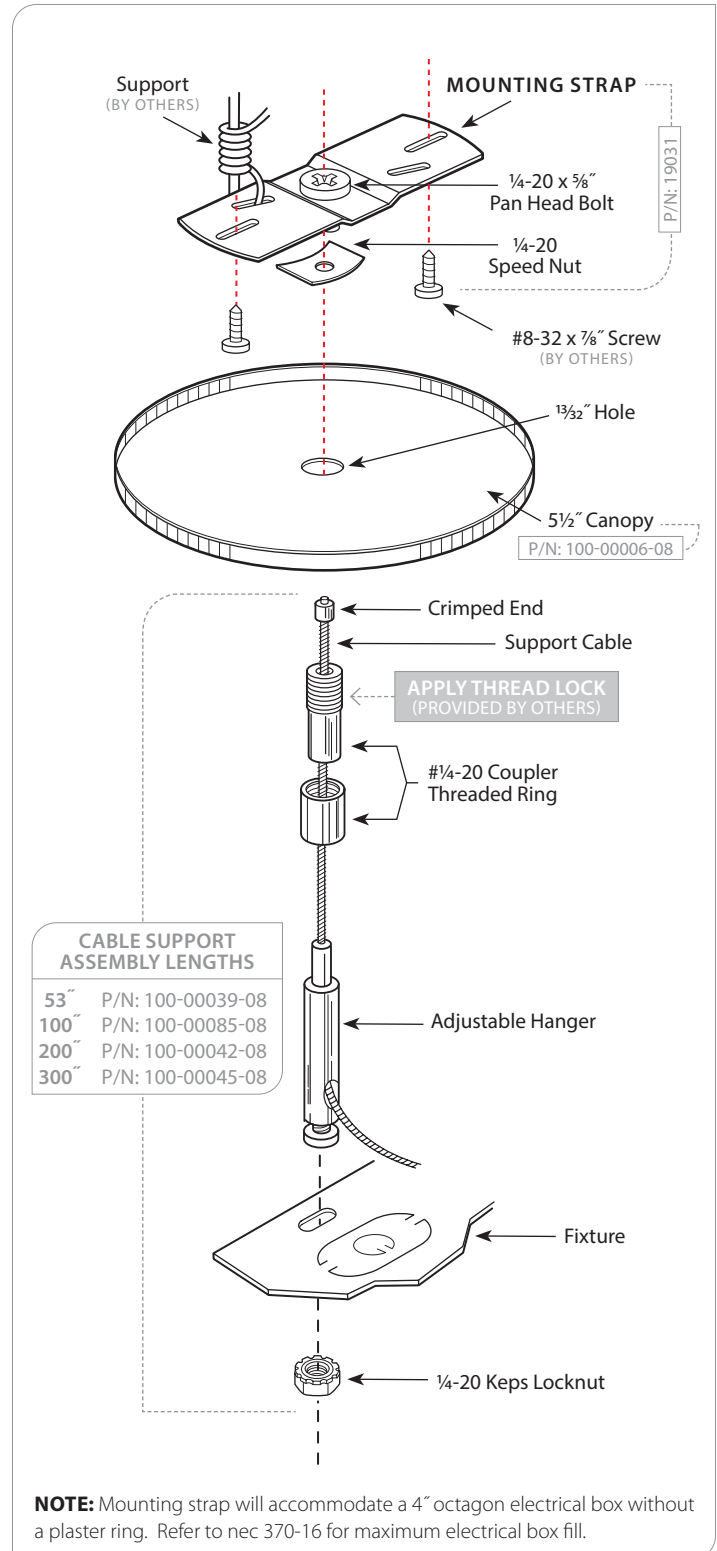
WARNING: Ground fixture in accordance with local and national electrical codes. Failure to do so may result in serious personal injury. Fixture Installations should ONLY be done by a qualified licensed electrical professional.

INSTALLATION

1. Anchor mounting straps to ceiling at cable locations. If mounting plan drawings is provided follow dimensions specified in row or pattern layout. (Contractor is to determine best anchoring hardware to be used in securing mounting strap to ceiling)
2. Insert non-crimped end of support cable through top threaded end of 1/4-20 coupling. Pull cable until crimp stops inside threaded end of coupling.
3. Push non-crimped end of cable through top (smooth end adjustable glider). Insert cable completely through glider. Glider will engage by pressing top smooth end down. Hold in place and pull back for adjustment.
4. Insert threaded barrel of adjustable glider through fixture. Securely attach glider to fixture with nutkeys lock (do not tighten with excessive force). Trim excess cable no less than 3" beyond cable outlet.
5. Unscrew threaded ring from top of 1/4-20 coupling. Insert 1/4-20 coupling through 1 3/32" dia. center hole on canopy and let threaded ring and canopy rest on fixture end. Lift coupling/cable to ceiling with fixture attached and thread 1/4-20 coupler onto strap bolt (be sure coupling is secure). Adjust cable to required distance from ceiling surface. Lift canopy against ceiling surface and secure in place with threaded ring.

NOTE: Depending on ceiling construction, reinforcement may be required at each mounting location.

CAUTION: Do not remove crimp from cable. Crimps are factory pressed onto cable for maximum strength. Prudential Lighting will not be responsible for damage or injuries which occur due to cable/crimp alterations. If different cable lengths are required, contact Prudential Lighting immediately.



Hard Ceiling (X3) | CAX

Adjustable Cord / Cable Support

INSTALLATION INSTRUCTIONS

PRUDENTIAL LTG.

PRULITE.COM 213.746.0360

INSTALLATION

1. Use #8-32 x 7/8" screws (provided by others) to fasten the mounting strap to the J-box. If weight exceeds 50 pounds, reinforce mounting strap with support wire secured to structural material (support wire provided by others).
2. Insert non-crimped end of support cable through top threaded end of coupling. Pull cable until crimp stops inside threaded end of coupling, push non-crimped end of cable through top (smooth end of adjustable glider). Insert cable completely through glider. Glider will engage around cable to prevent slipping. Disengage glider by pressing top smooth end down. Hold in place and pull cable back for adjustment.
3. Insert threaded barrel of adjustable glider through fixture. Attach glider to fixture with lock washer and hex nut. (**DO NOT TIGHTEN WITH EXCESSIVE FORCE**) Trim excess cable no less than 3" beyond cable outlet.
4. Remove 1/2" round K.O. located on surface of fixture end. Contractor to field cut SJT cord at specified lengths and strip back a portion of outer insulation from one end of SJT cord (contractor to determine amount to be stripped). Insert stripped end of cord through snap bushing. Press snap bushing & cord into 1/2" round opening. Place metal strain relief bushing around cord under fixture end and crimp with pliers. Cord should be secured to fixture end. Insert top end of cord through universal bushing, and threaded bushing. Trim cord to required length and secure to canopy with strain relief through 1/2" nipple. Make all wire connection.
5. Unscrew threaded ring from top of 1/4-20 coupling. Insert 1/4-20 coupling through center hole on canopy. Apply small amount of thread lock on mounting stud. Lift coupling/canopy, and fixture to mounting strap and screw coupling to bolt (be sure coupling is secure). Adjust cable to required distance from ceiling surface.

CAUTION: Do not remove crimp from cable. Crimps are factory pressed onto cable for maximum strength. Prudential Lighting will not be responsible for damage or injuries which occur due to cable/crimp alterations. If different cable lengths are required, contact Prudential Lighting immediately.

