

BoltPro — Side Mount / Inside-Outside

Cable Mount

INSTALLATION INSTRUCTIONS

X1, X6 — T-BAR

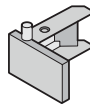


PRUDENTIAL LTG.

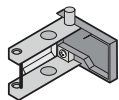
PRULITE.COM 213.746.0360

| PARTS LIST | PART NO. | DESCRIPTION |
|------------|----------|-------------|
|------------|----------|-------------|

FINISH PLATES

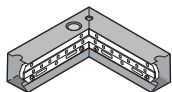


110002 **LEFT** — Side Mount Die Cast End Plate

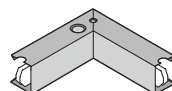


110003 **RIGHT** — Side Mount Die Cast End Plate

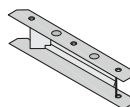
CORNERS



105786 **C21** — Inside Corner



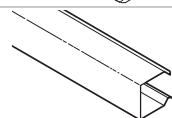
105787 **C20** — Outside Corner



108348 Joiner Bracket

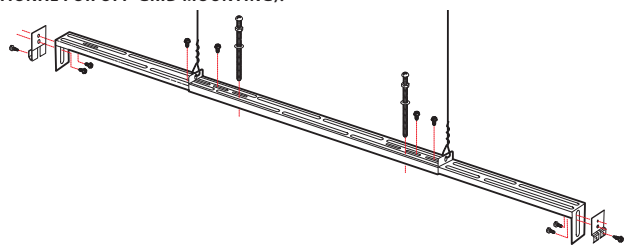


138571 Magnetic Flash Suppression Device



— Lens

T-BAR MOUNTING RAIL ASSEMBLY (OPTIONAL FOR OFF-GRID MOUNTING):



100-00283-14 1/4-20 x 5" Round Hd. MS SL Type F



100-00165-14 1/4-20 Hex Nut



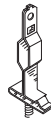
100-00008-14 1/4" x 1/2" Washer



100-00086-14 #6 x 3/8" Tek Screw

| PARTS LIST | PART NO. | DESCRIPTION |
|------------|----------|-------------|
|------------|----------|-------------|

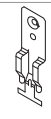
CABLE MOUNT HARDWARE SHIPPED SEPARATELY



100-00004-08 I.D.S. Clip (X1 - Standard)



100-00003-08 I.D.S. 95 Clip (X2, X6)



100-00091-08 A.T. Clip (X1, X2, X6)

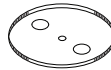


100-00114-14 1/4-20 x 3/4" Truss Head Screw

CANOPIES SHIPPED SEPARATELY



28975 5 1/2" Ø SPF Canopy (2 Hole)



65392 5 1/2" Ø DPF Canopy (3 Hole)



100-00078-07 2" Ø NPF Canopy X1, X2, X6 (1 Hole)

PRU CABLE ASSEMBLY



100-00039-08 53"



100-00085-08 100" Aircraft Cable



100-00042-08 200"

100-00262-14 3/4 WIRE Metal Strain Relief Bushing

100-00264-14 5/6 WIRE



100-00319-14 WHITE Threaded Bushing

100-00316-14 BLACK



100-00318-14 WHITE 5/8" Universal Bushing

100-00321-14 BLACK



100-00284-14 1/2" x 1 1/8" IPT Brass Threaded Nipple



100-00239-14 1/2" IP Knurled Nut



100-00228-14 3/4 WIRE Plastic Strain Relief Bushing

100-00346-14 5/6 WIRE

18GA SJT CORD:

3 WIRE

4 WIRE

5 WIRE

6 WIRE



| | | | | |
|------------|--------------|--------------|--------------|--------------|
| WHITE | 100-00023-09 | 100-00024-09 | 100-00912-09 | 100-01002-09 |
| WHITE 600v | 100-00059-09 | 100-00060-09 | 100-00919-09 | 100-00604-09 |
| BLACK | 100-00956-09 | 100-00025-09 | 100-00933-09 | 100-00317-09 |
| BLACK 600v | 100-00318-09 | 100-00606-09 | 100-00457-09 | 100-00607-09 |

WARNING: Ground fixture in accordance with local and national electrical codes. Failure to do so may result in serious personal injury. Fixture Installations should ONLY be done by a qualified licensed electrical professional.



Prudential Ltg. reserves the right to change design specifications or materials without notice. Please visit prulite.com for most current data. © 2025 All rights reserved – All products manufactured at: Prudential Ltg. 1774 E. 21st Street, Los Angeles, CA 90058

BoltPro — Side Mount / Inside-Outside

Cable Mount



INSTALLATION INSTRUCTIONS

X1, X6 — T-BAR

GENERAL NOTES

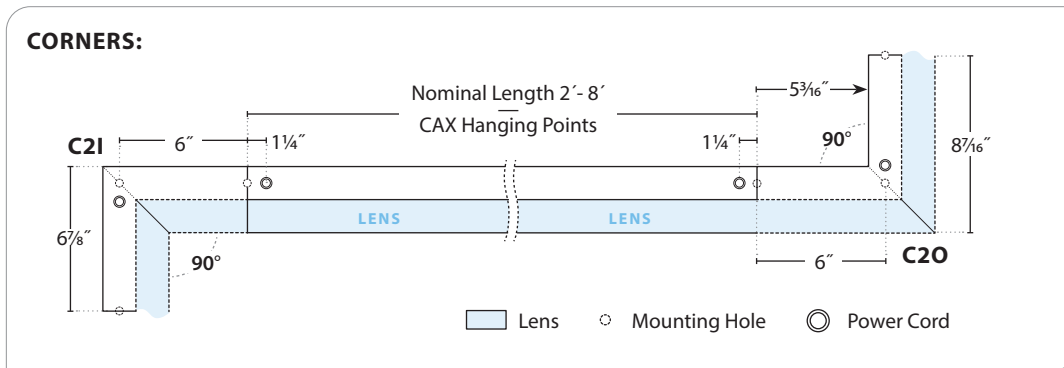
- See row diagram or Prudential Ltg. layout plan (if provided). Begin all row mounting from left to right (see arrows).
- Depending upon ceiling or wall construction reinforcement may be required at mounting locations.
- Power cord provided in bulk and is to be cut to length and stripped by installer unless "PIF" is specified.

NOTE: Must have at least one corner per pattern.

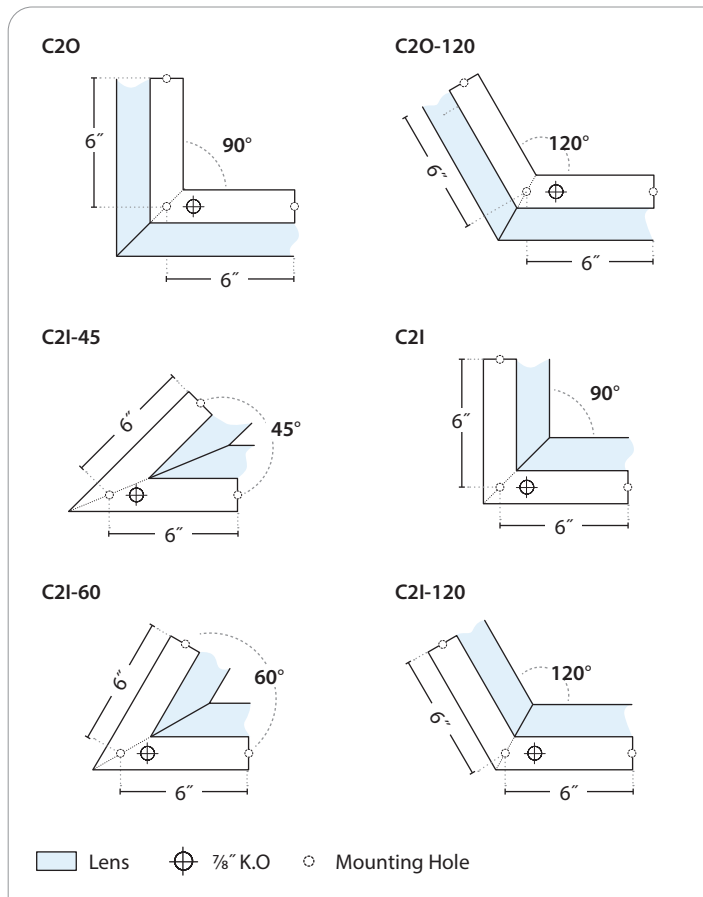
CONTINUOUS ROW

- Install one fixture section at a time.
- Some field trimming of lenses may be required (see layout drawing).
- We recommend using a chop saw with an 80 tooth blade for trimming lenses.

MOUNTING LOCATIONS



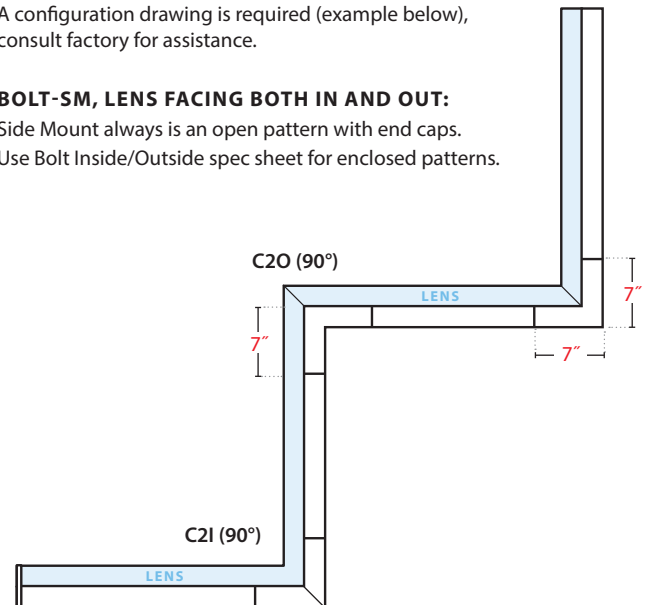
CORNERS



BOLTPRO SIDE MOUNT

A configuration drawing is required (example below), consult factory for assistance.

BOLT-SM, LENS FACING BOTH IN AND OUT:
Side Mount always is an open pattern with end caps.
Use Bolt Inside/Outside spec sheet for enclosed patterns.



WARNING: Ground fixture in accordance with local and national electrical codes. Failure to do so may result in serious personal injury. Fixture Installations should ONLY be done by a qualified licensed electrical professional.

BoltPro — Side Mount / Inside-Outside

Cable Mount

INSTALLATION INSTRUCTIONS

X1, X6 — T-BAR



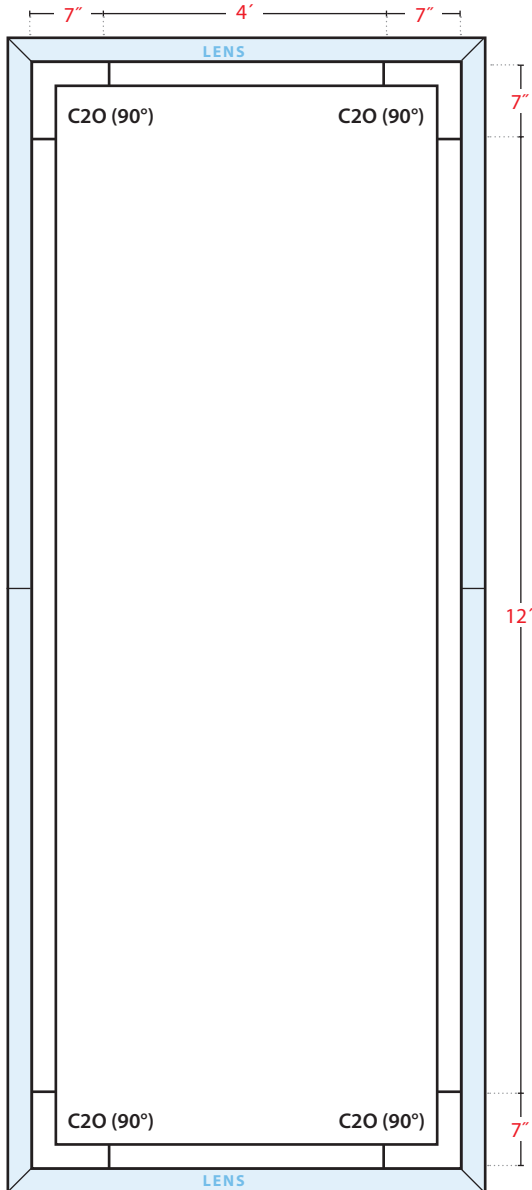
PRUDENTIAL LTG.

PRULITE.COM 213.746.0360

BOLTPRO INSIDE-OUTSIDE

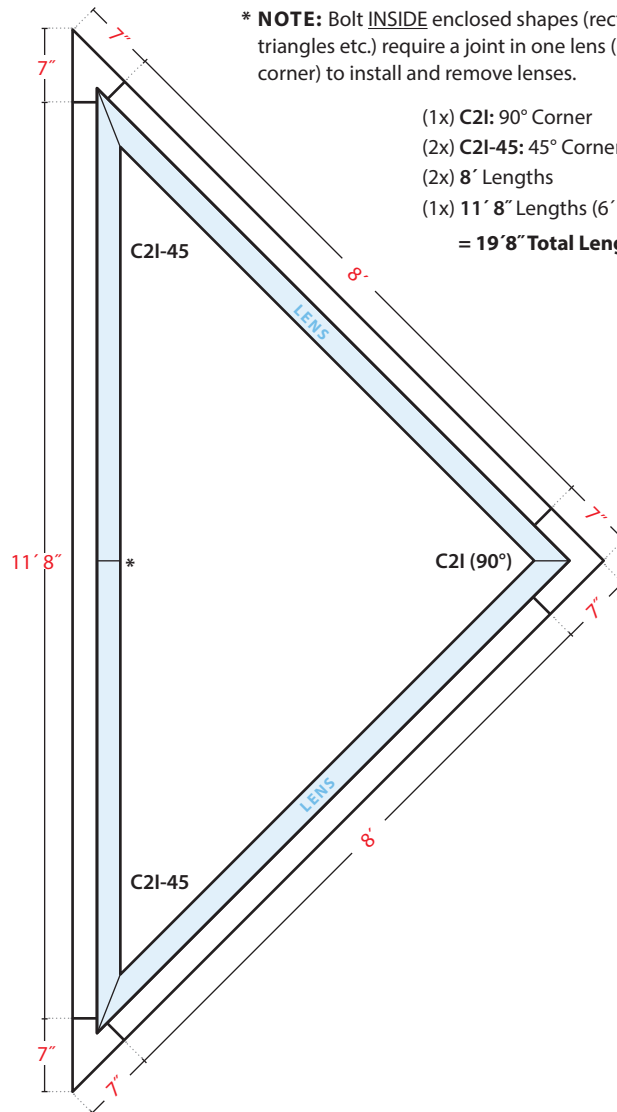
SPECIFYING PATTERNS: A configuration drawing is required (examples below), consult factory for assistance.

BOLT-O, LENS FACING OUT EXAMPLE:



- (4x) C20: 90° Corner
- (2x) 4' Lengths
- (2x) 12' Lengths (6' Segments)
- = 32' Total Length**

BOLT-I, LENS FACING IN EXAMPLE:



* **NOTE:** Bolt INSIDE enclosed shapes (rectangles, triangles etc.) require a joint in one lens (not a corner) to install and remove lenses.

- (1x) C21: 90° Corner
- (2x) C21-45: 45° Corner
- (2x) 8' Lengths
- (1x) 11' 8" Lengths (6' & 5' 8" Segments)
- = 19' 8" Total Length**

WARNING: Ground fixture in accordance with local and national electrical codes. Failure to do so may result in serious personal injury. Fixture Installations should ONLY be done by a qualified licensed electrical professional.

BoltPro — Side Mount / Inside-Outside Cable Mount

INSTALLATION INSTRUCTIONS

X1, X6 — T-BAR

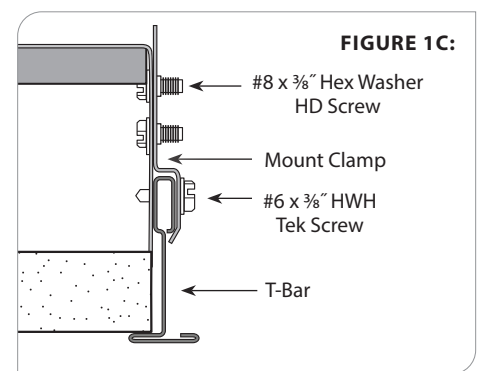
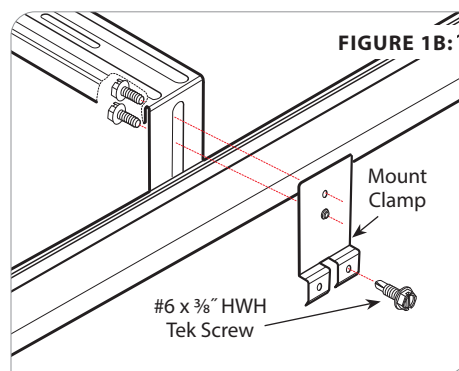
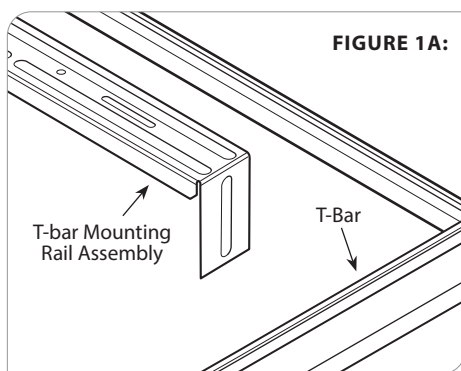
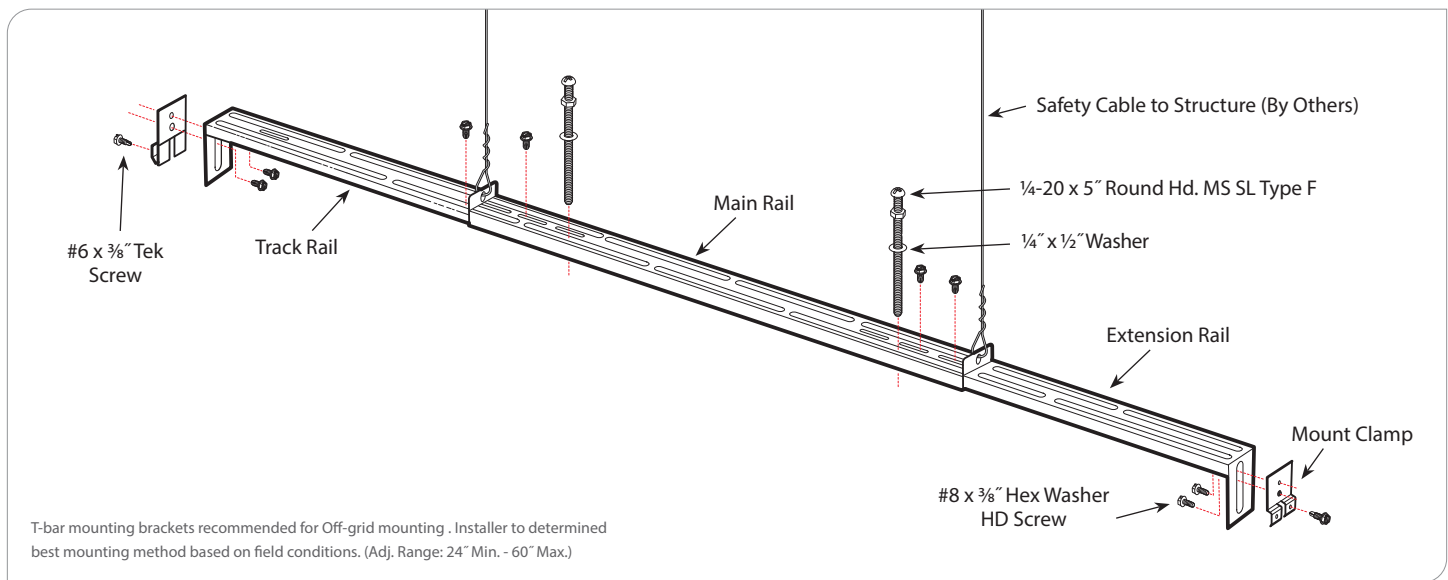


PRUDENTIAL LTG.

PRULITE.COM 213.746.0360

T-BAR MOUNTING RAIL ASSEMBLY (OPTIONAL)

1. Mark mounting dimensions on ceiling tile and drill (2) $\frac{3}{8}$ " holes.
2. Extend T-BAR mounting rail assembly (101962) to fit t-bar grid. (Figures 1A & 1B). (8-32 x $\frac{1}{2}$ " Washer HD screws may need to be removed to expand rails).
3. Place T-BAR mounting rail assembly against inner wall of t-bar with clamps.
4. Secure assembly to t-bar with clamps (Figures 1B & 1C).
5. Drive #6 x $\frac{3}{8}$ " Tek Screws through clamp and t-bar.
6. Use $\frac{1}{4}$ -20 x 5" Round Hd. Mounting Screws at each mounting location. Adjust so screw protrudes ceiling tile by $\frac{1}{2}$ ".
7. Attach safety cable (by others) to rail assembly and secure to structure.



WARNING: Ground fixture in accordance with local and national electrical codes. Failure to do so may result in serious personal injury. Fixture Installations should ONLY be done by a qualified licensed electrical professional.

BoltPro — Side Mount / Inside-Outside Cable Mount

INSTALLATION INSTRUCTIONS

X1, X6 — T-BAR



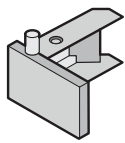
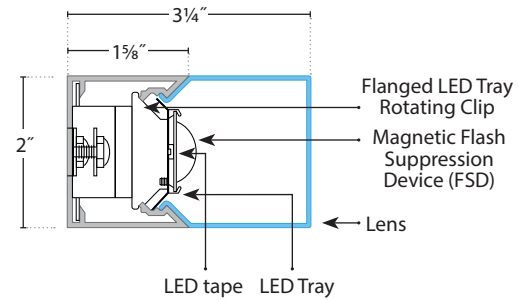
PRUDENTIAL LTG.

PRULITE.COM 213.746.0360

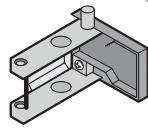
INDIVIDUAL

1. Install cable hardware on ceiling (see separate cable installation instructions).
2. Attach plastic strain relief bushing to end of power cord (figure 1).
3. Attach aircraft cables to housing by screwing the cable gripper into housing at mounting location.
4. Wire power cord to fixture wires protruding the back of fixture housing. For fixtures with internal EM drivers, **DO NOT** plug the connectors until after normal power has been applied to the fixture.
5. Secure power cord to housing by pushing cord into exposed hole until strain relief bushing snaps into place.

CROSS SECTION

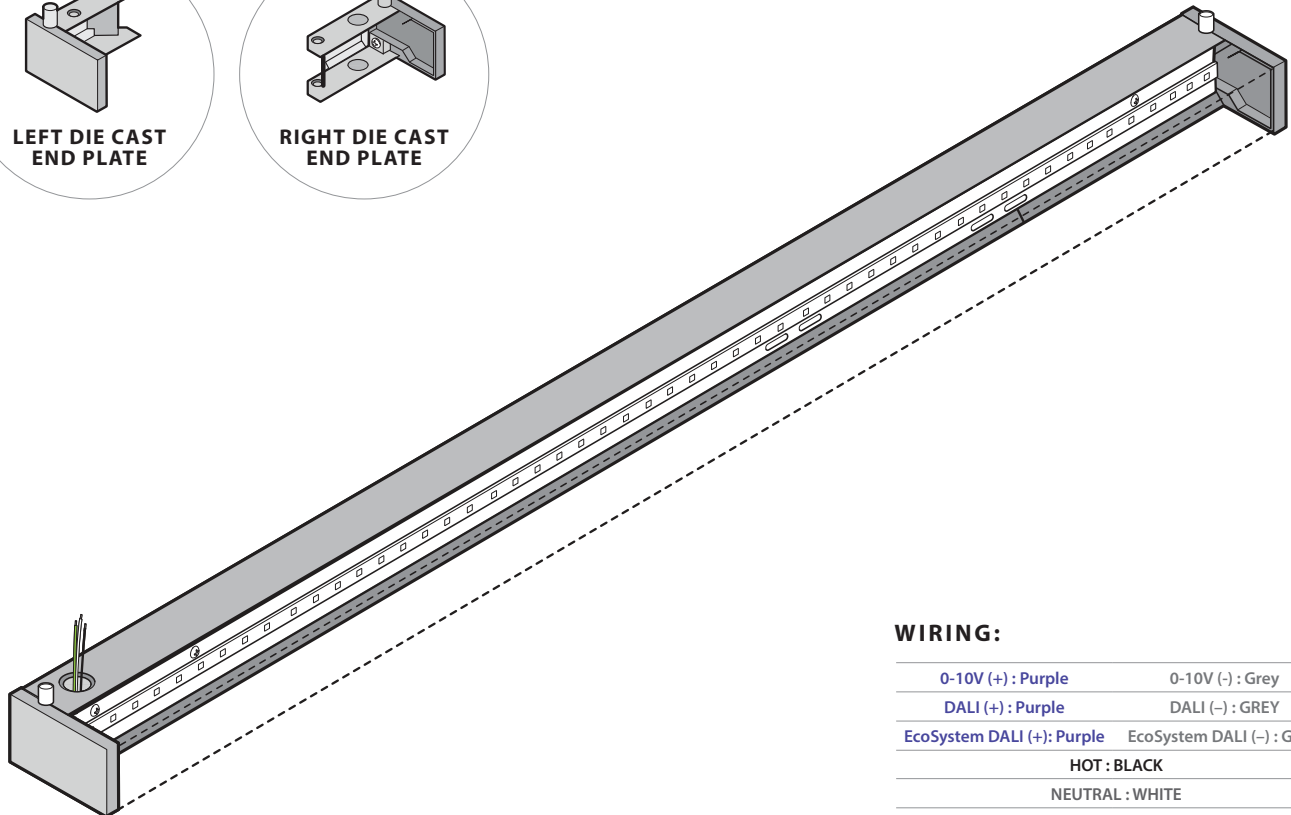


LEFT DIE CAST
END PLATE



RIGHT DIE CAST
END PLATE

FIGURE 1



WIRING:

| | |
|--------------------------------|---------------------------|
| 0-10V (+) : Purple | 0-10V (-) : Grey |
| DALI (+) : Purple | DALI (-) : GREY |
| EcoSystem DALI (+) : Purple | EcoSystem DALI (-) : GREY |
| HOT : BLACK | |
| NEUTRAL : WHITE | |
| GROUND : GREEN | |
| CONSTANT HOT (EM) : Red | |

WARNING: Ground fixture in accordance with local and national electrical codes. Failure to do so may result in serious personal injury. Fixture Installations should ONLY be done by a qualified licensed electrical professional.

BoltPro — Side Mount / Inside-Outside Cable Mount



PRUDENTIAL LTG.

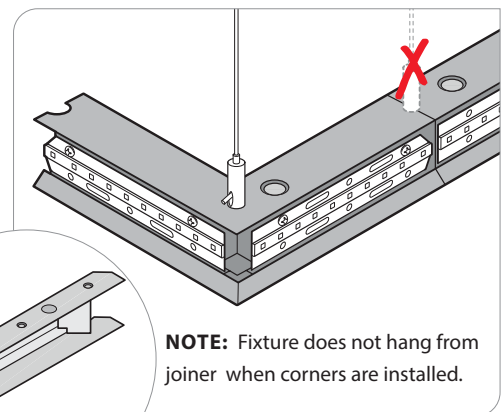
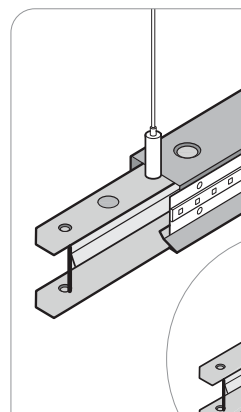
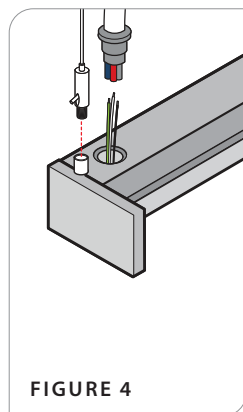
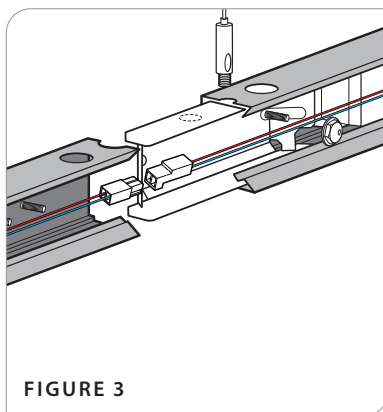
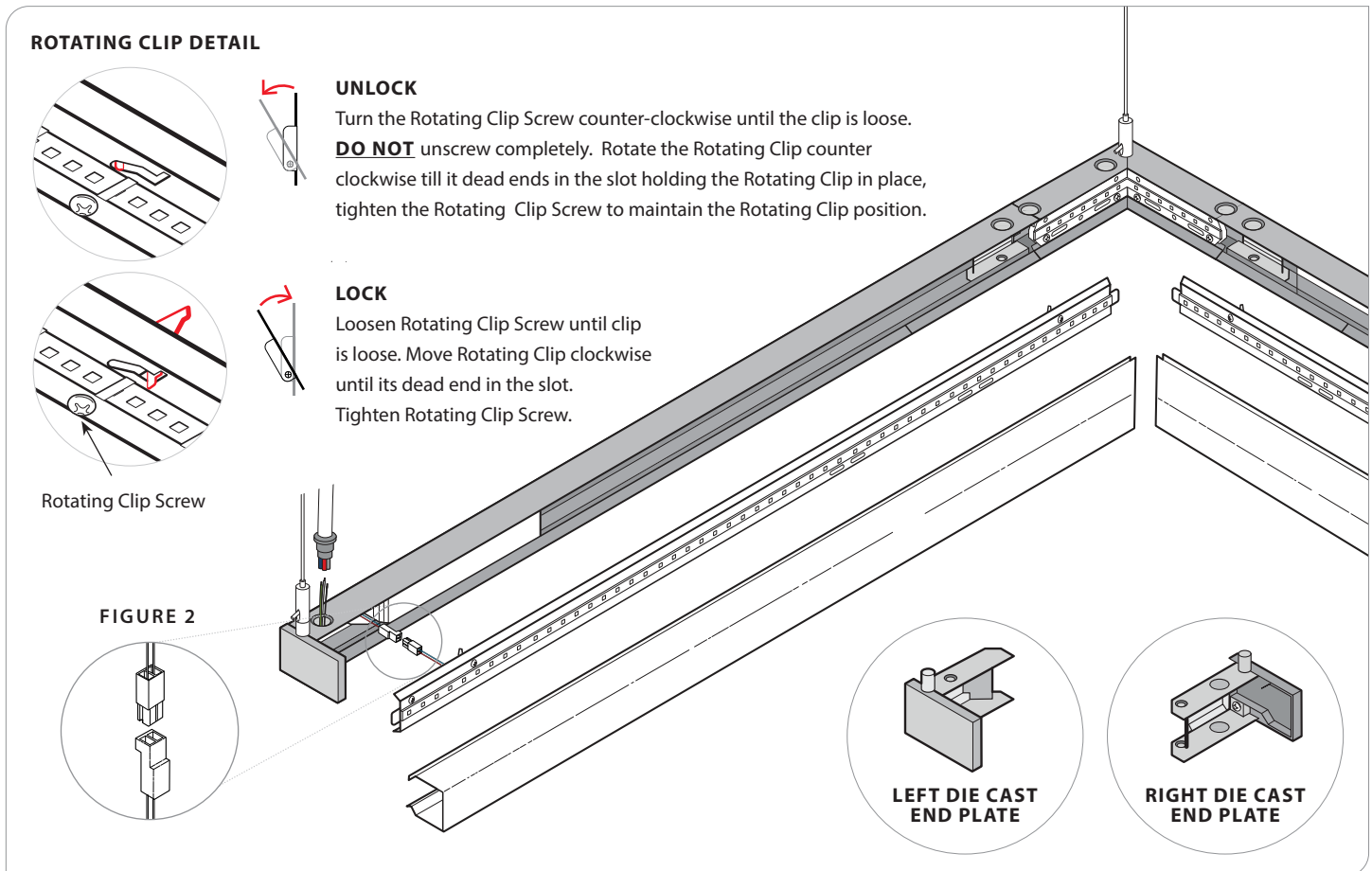
PRULITE.COM 213.746.0360

INSTALLATION INSTRUCTIONS

X1, X6 — T-BAR

CONTINUOUS ROWS

1. Unlock LED tray from clips and remove the LED tray by unplugging the LED lead wire disconnects on first fixture, remove LED Tray (figure 2).
2. Install die cast end plate to start (left end of fixture) and joiner on the seam end (figure 3).
3. Hang fixtures by screwing bottom cable gripper to the cable mounting points on both ends of start fixture.
4. Install plastic strain relief bushing to power cord and snap it into the fixture (figure 4).



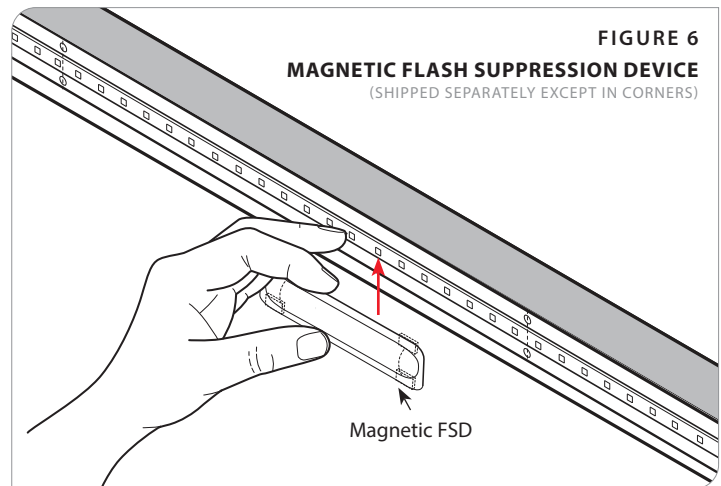
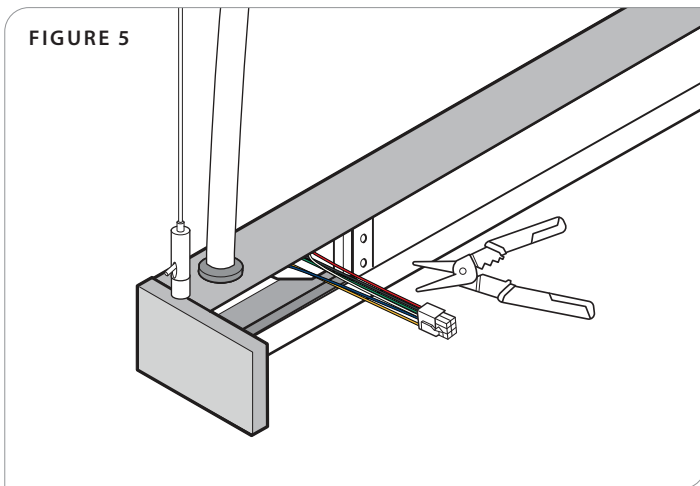
WARNING: Ground fixture in accordance with local and national electrical codes. Failure to do so may result in serious personal injury. Fixture Installations should ONLY be done by a qualified licensed electrical professional.

BoltPro — Side Mount / Inside-Outside Cable Mount

INSTALLATION INSTRUCTIONS

X1, X6 — T-BAR

1. Cut lead end of the wire harness and strip wires. Make electrical connections (figure 5).
2. Remove reflector on all subsequent fixtures (intermediates and ends).
 - Install joiner on right end of all intermediate fixtures.
 - Install die cast end plate on right end of end fixtures.
3. Join fixture by sliding the left hand end onto joiner of previously installed fixture and secure with pal nut. Screw the cable gripper in the mounting hole on right-hand end of fixture. Continue this until all fixtures in the row are installed.
4. Plug circuit assembly together for wiring rest of row.
5. Re-install reflectors. Ensure no wires are pinched between trays and housing to avoid electrical and alignment issues.
6. Install magnetic flash suppression devices at all lens seams (figure 6).
7. Re-install lenses. Some lenses may require field trimming.



WARNING: Ground fixture in accordance with local and national electrical codes. Failure to do so may result in serious personal injury. Fixture Installations should ONLY be done by a qualified licensed electrical professional.



T-Bar (X1) | CAX1

Adjustable Cable Support

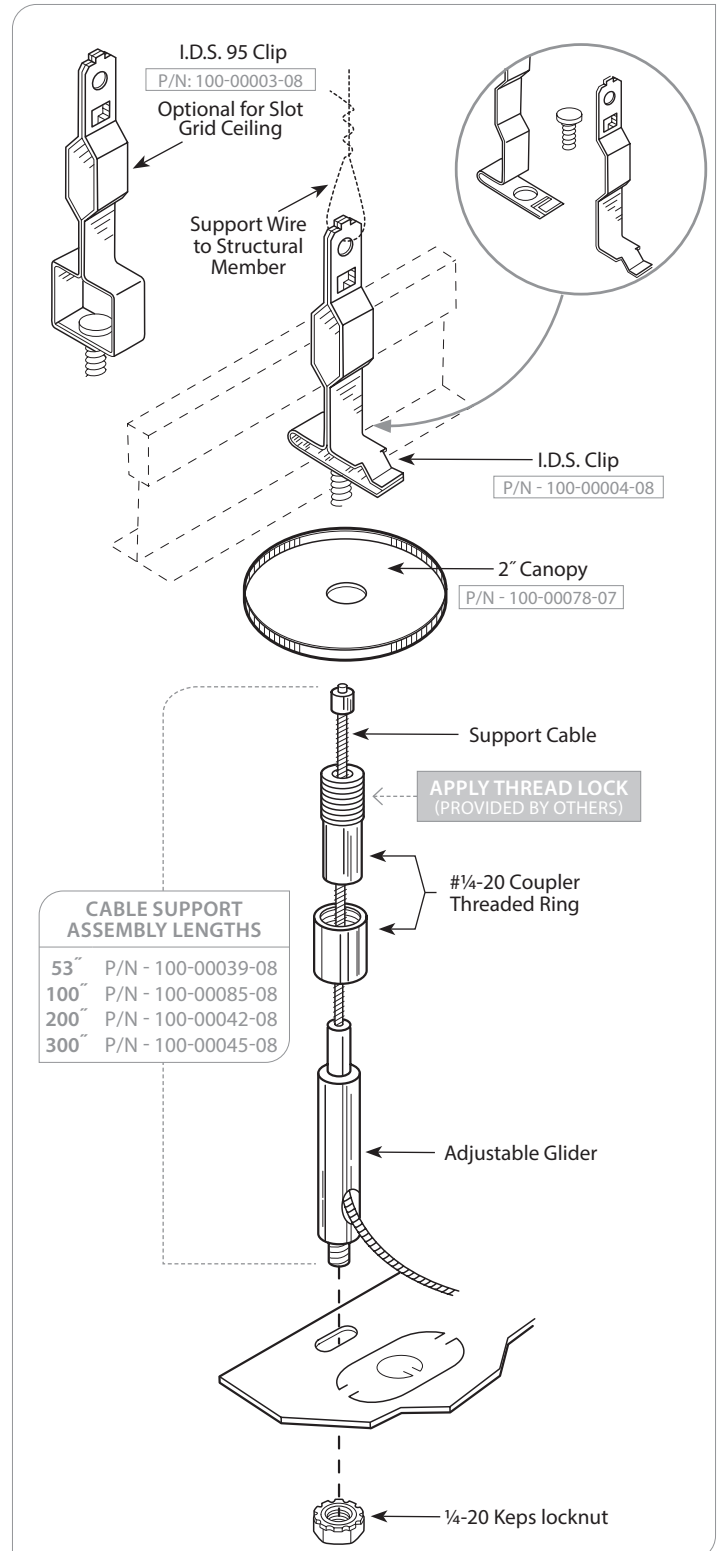
INSTALLATION INSTRUCTIONS



INSTALLATION

1. Place 1/4-20 stud into square opening on the bottom of I.D.S. clip. Position I.D.S. clip on ceiling grid at required location. Secure clip to structural member by inserting support wire through 1/4" dia. hole located at top of I.D.S. clip (Wire provided by others).
2. Insert open end of support cable through top threaded end of 1/4-20 coupling. Pull cable until crimp stops inside threaded end of coupling.
3. Push open (non crimped) end of cable through top (smooth end of adjustable glider). Insert cable completely through glider. Glider will engage around cable to prevent slipping. Disengage glider by pressing top smooth end down. Hold in place and pull cable back for adjustment.
4. Insert threaded barrel of adjustable glider through fixture. Securely attach glider to fixture with lock washer and hex nut. (**DO NOT TIGHTEN WITH EXCESS FORCE**). Trim excess cable no less than 3" beyond cable outlet.
5. Lift glider/cable to ceiling (with fixture attached). Place 2" canopy over mounting stud on I.D.S. clip. Hold canopy against ceiling surface. Thread 1/4-20 coupling onto stud (Be sure coupling is secure).

CAUTION: Do not remove crimp from cable. Crimps are factory pressed onto cable for maximum strength. Prudential Lighting will not be responsible for damage or injuries which occur due to cable/crimp alterations. If different cable lengths are required, contact Prudential Lighting immediately.



T-Bar (X1) | CCAX1

Adjustable Cord / Cable Support

INSTALLATION INSTRUCTIONS



PRUDENTIAL LTG.

PRULITE.COM 213.746.0360

INSTALLATION

- Place 1/4-20 stud into square opening on the bottom of I.D.S. clip. Position I.D.S. clip on ceiling grid at required location. Place A.T. Clip onto ceiling grid. Slide A.T. clip against I.D.S. clip. Attach 3-1/2" octagonal electrical box to A.T. clip with 1/4-20 x 3/4" screw. Place washers between A.T. clip and electrical box. Secure box to grid. (See figure 1).
- Insert open end of support cable through top threaded end of 1/4-20 coupler. Pull cable until crimp stops inside threaded end of coupler. Push (Non-crimped end) of cable through top (smooth end of adjustable glider). Insert cable completely through glider. Hold in place and pull cable for adjustment. Insert threaded barrel of adjustable glider through fixture. Securely attach adjustable glider to fixture with lock washer and hex nut. (**DO NOT TIGHTEN WITH EXCESS FORCE**). Trim excess cable no less than 3" beyond cable outlet.
- Remove 1/2" round K.O. from the fixture. Contractor to field cut SJT cord at specified lengths and strip back a portion of outer insulation from one end of SJT cord. (Contractor to determine amount to be stripped). Insert stripped end of SJT cord through snap bushing. Press snap bushing and cord through 1/2" hole of the fixture. The cord should be secured with strain relief inside fixture.
- Place threaded ring over top of 1/4-20 coupler. Insert 1/4-20 coupler through 1 3/32" dia. center hole on canopy. Slip universal bushing and threaded bushing over top end of SJT cord. Let canopy rest on fixture end. Lift coupler/cable to ceiling with fixture attached. Thread 1/4-20 coupler onto I.D.S. stud. (Be sure coupler is secure). Adjust cable to require distance from ceiling surface.
- Use 1/2" nipple from canopy to electrical box. Trim SJT cord to required length and secure to electrical box with strain relief. Make all wire connections and replace electrical box cover. Lift canopy against ceiling surface. Apply a small amount of thread lock to coupler threaded area. Secure in place with threaded ring. Hold SJT cord under canopy and turn threaded bushing onto 1/2" nipple. Snap universal bushing into threaded bushing.

NOTE: Canopy will accommodate 3-1/2" octagonal electrical box. Electrical box must be attached to A.T. clip. Refer to NEC 370-16 for maximum electrical box fill. Clamp connector and electrical box provided by other.

CAUTION: Do not remove crimp from cable. Crimps are factory pressed onto cable for maximum strength. Prudential Lighting will not be responsible for damage or injuries which occur due to cable/crimp alterations. If different cable lengths are required, contact Prudential Lighting immediately.

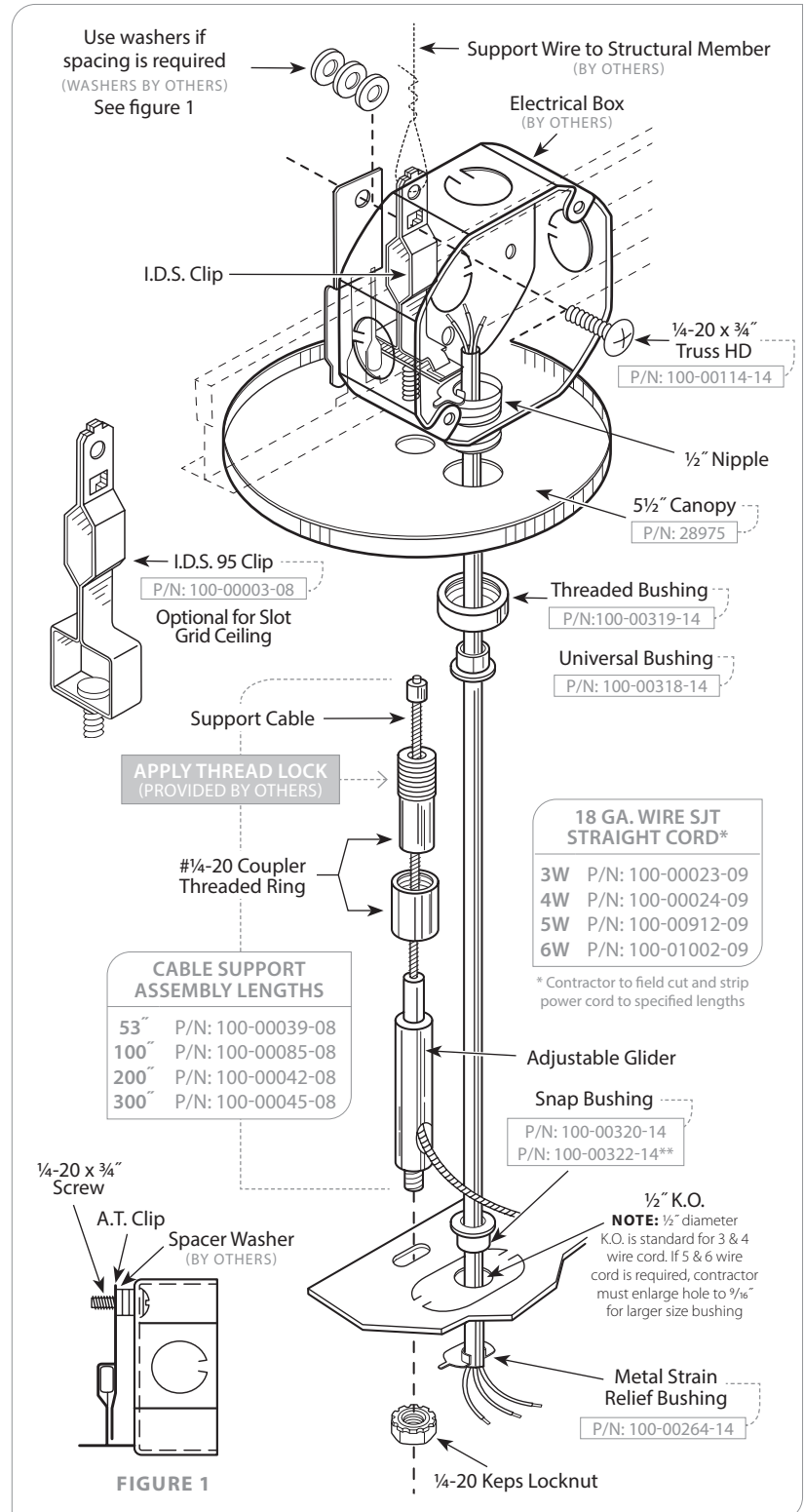


FIGURE 1

