

BionicPro & BionicPro2 Mini | Linear Surface/Wall WMC .75"+2" Continuous Channels

INSTALLATION INSTRUCTIONS



PRUDENTIAL LTG.

PRULITE.COM 213.746.0360

PART	PART NO.	DESCRIPTION
------	----------	-------------

OPTICS & LOUVERS:

	100-00472-10	Soft Asymmetric Ceiling Wash
	100-00471-10	Soft Ceiling Wash
	100-00186-10	Plastic Lens Holder
	100-00321-02	Reflector
	100-00479-10	Top Glow Lens
	100-01002-18	CLEAR Acrylic Dust Cover
	100-00885-18	FROSTED Acrylic Dust Cover
	100-00333-14	Plastic Push-In Fasteners
	100-00374-07	2" — Louver
	100-00375-07	3" — Louver
	100-00376-10	4" — Louver
	100-00377-07	5" — Louver
	100-00353-14	#4-40 x 1/4" Flat Head Screw (Painted)

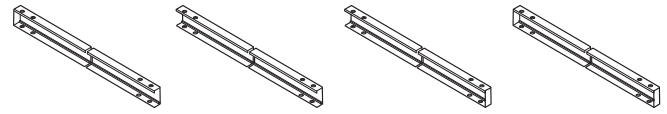
FTR (FEATHERING DIFFUSER):

	100-00843-10	Diffuser
	100-00374-14	Nylon Spacer Washer
	100-00182-14	6-32 x 1/2" Screw
	100-00283-14	1/4-20 x 5.0 Round Head Combination Drive Machine Screw
	100-00255-14	1/4-20 KEPS Hex Nut
	100-00486-10	Seam Reflector

BIONICPRO LENS TOOL:

	100-00462-10	2" — White
	100-00464-10	3" — Natural
	100-00465-10	4" — Black
	100-00463-10	5" — White
	100-00040-20	Tape Strip
	100-00424-14	8-32 x 5/8" Flat Head Phillips Screw
	100-00184-14	8-32 x 3/8" Pan head Phillips screws

CHANNELS-WMC



LENGTH	START	INTERMEDIATE	END	INDIVIDUAL
0.75" SURFACE:				
8'	192146	192090	192160	192174
7'	192147	192091	192161	192175
6'	192148	192092	192162	192176
5'	192149	192093	192163	192177
4'	192150	192094	192164	192178
3'	192151	192095	192165	192179
2'	192152	192096	192166	192180
0.75" WALL:				
8'	192104	192062	192118	192132
7'	192105	192063	192119	192133
6'	192106	192064	192120	192134
5'	192107	192065	192121	192135
4'	192108	192066	192122	192136
3'	192109	192067	192123	192137
2'	192110	192068	192124	192138
2" SURFACE:				
8'	192139	192083	192153	192167
7'	192140	192084	192154	192168
6'	192141	192085	192155	192169
5'	192142	192086	192156	192170
4'	192143	192087	192157	192171
3'	192144	192088	192158	192172
2'	192145	192089	192159	192173
2" WALL:				
8'	192097	192055	192111	192125
7'	192098	192056	192112	192126
6'	192099	192057	192113	192127
5'	192100	192058	192114	192128
4'	192101	192059	192115	192129
3'	192102	192060	192116	192130
2'	192103	192061	192117	192131

PART	PART NO.	DESCRIPTION
------	----------	-------------

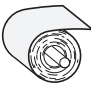
	82484	Lens Removal Tool (Maintenance Only)
	74454	(4x4) Electrical Box Cover Plate (EBCP2G)
	100-00214-14	8-32 x 7/8" Phil Pan HS MS Type-F Screw
	100-00018-14	6-32 x 1/4" Screw
	177778	BionicPro Channel Joiner Aligner

WARNING: Ground fixture in accordance with local and national electrical codes. Failure to do so may result in serious personal injury. Fixture installations should ONLY be done by a qualified licensed electrical professional.

BionicPro & BionicPro2 Mini | Linear Surface/Wall WMC .75"+2" Continuous Channels

INSTALLATION INSTRUCTIONS



PARTS LIST	SIZE	PART NO.						
LENSES:		SAL	BTW	WWF	PFL/WWG	NGZ	MGZ	WGZ
	2" —	100-00966-18	100-00961-18	100-00973-18	100-00978-18	100-00983-18	100-01004-18	100-00988-18
	3" —	100-00967-18	100-00962-18	100-00974-18	100-00979-18	100-00984-18	100-01005-18	100-00989-18
	4" —	100-00968-18	100-00963-18	100-00975-18	100-00980-18	100-00985-18	100-01006-08	100-00990-18
	5" —	100-00969-18	100-00964-18	100-00976-18	100-00981-18	100-00986-18	100-01007-18	100-00991-18

WARNING: Ground fixture in accordance with local and national electrical codes. Failure to do so may result in serious personal injury. Fixture Installations should ONLY be done by a qualified licensed electrical professional.

BionicPro & BionicPro2 Mini | Linear Surface/Wall WMC .75"+2" Continuous Channels

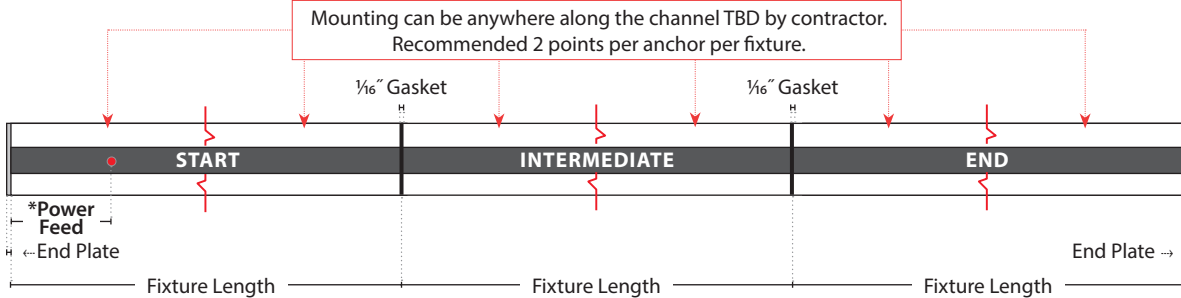
INSTALLATION INSTRUCTIONS



WMC (CHANNELS): SURFACE/WALL — MOUNTING

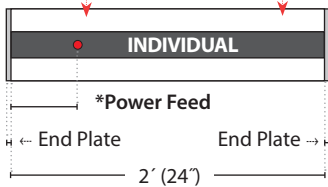
NOTE: 2' ROW FIXTURES NOT AVAILABLE

● POWER FEED

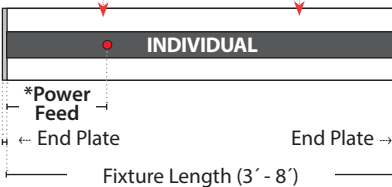


INDIVIDUAL (2'):

Mounting can be anywhere along the channel TBD by contractor.
Recommended 2 points per anchor per fixture.



Mounting can be anywhere along the channel TBD by contractor.
Recommended 2 points per anchor per fixture.



WMC — SURFACE

	FIXTURE LENGTHS	
	*Power Feed	All
2'	3 1/2"	24"
3'	5 1/2"	36"
4'	5 1/2"	48"
5'	5 1/2"	60"
6'	5 1/2"	72"
7'	5 1/2"	84"
8'	5 1/2"	96"

WMC — WALL

	FIXTURE LENGTHS	
	*Power Feed	All
2'	4"	24"
3'	10"	36"
4'	10"	48"
5'	10"	60"
6'	10"	72"
7'	10"	84"
8'	10"	96"

WMC2 — SURFACE

	FIXTURE LENGTHS	
	*Power Feed	All
2'	3 1/2"	24"
3'	5 1/2"	36"
4'	5 1/2"	48"
5'	5 1/2"	60"
6'	5 1/2"	72"
7'	5 1/2"	84"
8'	5 1/2"	96"

WMC2 — WALL

	FIXTURE LENGTHS	
	*Power Feed	All
2'	4"	24"
3'	10"	36"
4'	10"	48"
5'	10"	60"
6'	10"	72"
7'	10"	84"
8'	10"	96"

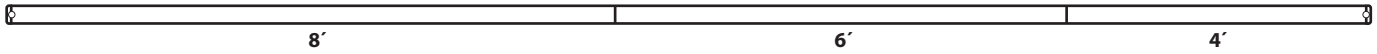
WARNING: Ground fixture in accordance with local and national electrical codes. Failure to do so may result in serious personal injury. Fixture Installations should ONLY be done by a qualified licensed electrical professional.

BionicPro & BionicPro2 Mini | Linear Surface/Wall WMC .75"+2" Continuous Channels

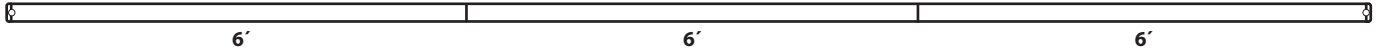


INSTALLATION INSTRUCTIONS

18' STANDARD ROW LENGTH:



18' SYMMETRIC ROW LENGTH (SRL):



STANDARD

ROW LENGTH			TOTAL LENGTH WITH ENDCAPS (FOR BPRO-MINI SUBTRACT 1/2" FROM TOTAL)
9'	5+4	5FT STR + 4FT END	109
10'	6+4	6FT STR + 4FT END	121
11'	7+4	7FT STR + 4FT END	133
12'	8+4	8FT STR + 4FT END	145
13'	8+5	8FT STR + 5FT END	157
14'	8+6	8FT STR + 6FT END	169
15'	8+7	8FT STR + 7FT END	181
16'	8+8	8FT STR + 8FT END	193
17'	8+5+4	8FT STR + 5FT INT + 4FT END	205
18'	8+6+4	8FT STR + 6FT INT + 4FT END	217
19'	8+7+4	8FT STR + 7FT INT + 4FT END	229
20'	8+8+4	8FT STR + 8FT INT + 4FT END	241
21'	8+8+5	8FT STR + 8FT INT + 5FT END	253
22'	8+8+6	8FT STR + 8FT INT + 6FT END	265
23'	8+8+7	8FT STR + 8FT INT + 7FT END	277
24'	8+8+8	8FT STR + 8FT INT + 8FT END	289
25'	8+8+5+4	8FT STR + 8FT INT + 5FT INT + 4FT END	301
26'	8+8+6+4	8FT STR + 8FT INT + 6FT INT + 4FT END	313
27'	8+8+7+4	8FT STR + 8FT INT + 7FT INT + 4FT END	325
28'	8+8+8+4	8FT STR + (2) 8FT INT + 4FT END	337
29'	8+8+8+5	8FT STR + (2) 8FT INT + 5FT END	349
30'	8+8+8+6	8FT STR + (2) 8FT INT + 6FT END	361
31'	8+8+8+7	8FT STR + (2) 8FT INT + 7FT END	373
32'	8+8+8+8	8FT STR + (2) 8FT INT + 8FT END	385
33'	8+8+8+5+4	8FT STR + (2) 8FT INT + 5FT INT + 4FT END	397
34'	8+8+8+6+4	8FT STR + (2) 8FT INT + 6FT INT + 4FT END	409
35'	8+8+8+7+4	8FT STR + (2) 8FT INT + 7FT INT + 4FT END	421
36'	8+8+8+8+4	8FT STR + (3) 8FT INT + 4FT END	433
37'	8+8+8+8+5	8FT STR + (3) 8FT INT + 5FT END	445
38'	8+8+8+8+6	8FT STR + (3) 8FT INT + 6FT END	457
39'	8+8+8+8+7	8FT STR + (3) 8FT INT + 7FT END	469
40'	8+8+8+8+8	8FT STR + (3) 8FT INT + 8FT END	481
41'	8+8+8+8+5+4	8FT STR + (3) 8FT INT + 5FT INT + 4FT END	493
42'	8+8+8+8+6+4	8FT STR + (3) 8FT INT + 6FT INT + 4FT END	505
43'	8+8+8+8+7+4	8FT STR + (3) 8FT INT + 7FT INT + 4FT END	517
44'	8+8+8+8+8+4	8FT STR + (4) 8FT INT + 4FT END	529
45'	8+8+8+8+8+5	8FT STR + (4) 8FT INT + 5FT END	541
46'	8+8+8+8+8+6	8FT STR + (4) 8FT INT + 6FT END	553
47'	8+8+8+8+8+7	8FT STR + (4) 8FT INT + 7FT END	565
48'	8+8+8+8+8+8	8FT STR + (4) 8FT INT + 8FT END	577
49'	8+8+8+8+8+5+4	8FT STR + (4) 8FT INT + 5FT INT + 4FT END	589
50'	8+8+8+8+8+6+4	8FT STR + (4) 8FT INT + 6FT INT + 4FT END	601

BionicPro & BionicPro2 Mini | Linear Surface/Wall WMC .75" + 2" Continuous Channels

INSTALLATION INSTRUCTIONS



SYMMETRICAL

ROW LENGTH			TOTAL LENGTH WITH ENDCAPS (FOR BPRO-MINI SUBTRACT 1/2" FROM TOTAL)
9'	3+3+3	3FT STR + 3FT INT + 3FT END	109
10'	5+5	5FT STR + 5FT END	121
11'	4+3+4	4FT STR + 3FT INT + 4FT END	133
12'	6+6	6FT STR + 6FT END	145
13'	4+5+4	4FT STR + 5FT INT + 4FT END	157
14'	7+7	7FT STR + 7FT END	169
15'	5+5+5	5FT STR + 5FT INT + 5FT END	181
16'	8+8	8FT STR + 8FT END	193
17'	6+5+6	6FT STR + 5FT INT + 6FT END	205
18'	6+6+6	6FT STR + 6FT INT + 6FT END	217
19'	6+7+6	6FT STR + 7FT INT + 6FT END	229
20'	8+4+8	8FT STR + 4FT INT + 8FT END	241
21'	8+5+8	8FT STR + 5FT INT + 8FT END	253
22'	8+6+8	8FT STR + 6FT INT + 8FT END	265
23'	8+7+8	8FT STR + 7FT INT + 8FT END	277
24'	8+8+8	8FT STR + 8FT INT + 8FT END	289
25'	6+4+5+4+6	6FT STR + 4FT INT + 5FT INT + 4FT INT + 6FT END	301
26'	8+5+5+8	8FT STR + (2) 5FT INT + 8FT END	313
27'	6+5+5+5+6	6FT STR + (3) 5FT INT + 6FT END	325
28'	8+6+6+8	8FT STR + (2) 6FT INT + 8FT END	337
29'	8+4+5+4+8	8FT STR + 4FT INT + 5FT INT + 4FT INT + 8FT END	349
30'	8+7+7+8	8FT STR + (2) 7FT INT + 8FT END	361
31'	8+5+5+5+8	8FT STR + (3) 5FT INT + 8FT END	373
32'	8+8+8+8	8FT STR + (2) 8FT INT + 8FT END	385
33'	8+6+5+6+8	8FT STR + 6FT INT + 5FT INT + 6FT INT + 8FT END	397
34'	8+6+6+6+8	8FT STR + 6FT INT + 6FT INT + 6FT INT + 8FT END	409
35'	8+6+7+6+8	8FT STR + 6FT INT + 7FT INT + 6FT INT + 8FT END	421
36'	8+8+4+8+8	8FT STR + 8FT INT + 4FT INT + 8FT INT + 8FT END	433
37'	8+8+5+8+8	8FT STR + 8FT INT + 5FT INT + 8FT INT + 8FT END	445
38'	8+8+6+8+8	8FT STR + 8FT INT + 6FT INT + 8FT INT + 8FT END	457
39'	8+8+7+8+8	8FT STR + 8FT INT + 7FT INT + 8FT INT + 8FT END	469
40'	8+8+8+8+8	8FT STR + (3) 8FT INT + 8FT END	481
41'	8+6+4+5+4+6+8	8FT STR + 6FT INT + 4FT INT + 5FT INT + 4FT INT + 6FT INT + 8FT END	493
42'	8+8+5+5+8+8	8FT STR + 8FT INT + (2) 5FT INT + 8FT INT + 8FT END	505
43'	8+6+5+5+5+6+8	8FT STR + 6FT INT + (3) 5FT INT + 6FT INT + 8FT END	517
44'	8+8+6+6+8+8	8FT STR + 8FT INT + (2) 6FT INT + 8FT INT + 8FT END	529
45'	8+8+4+5+4+8+8	8FT STR + 8FT INT + 4FT INT + 5FT INT + 4FT INT + 8FT INT + 8FT END	541
46'	8+8+7+7+8+8	8FT STR + 8FT INT + (2) 7FT INT + 8FT INT + 8FT END	553
47'	8+8+5+5+5+8+8	8FT STR + 8FT INT + (3) 5FT INT + 8FT INT + 8FT END	565
48	8+8+8+8+8+8	8FT STR + (4) 8FT INT + 8FT END	577
49'	8+8+6+5+6+8+8	8FT STR + 8FT INT + 6FT INT + 5FT INT + 6FT INT + 8FT INT + 8FT END	589
50'	8+8+6+6+6+8+8	8FT STR + 8FT INT + (3) 6FT INT + 8FT INT + 8FT END	601

WARNING: Ground fixture in accordance with local and national electrical codes. Failure to do so may result in serious personal injury. Fixture Installations should ONLY be done by a qualified licensed electrical professional.

BionicPro & BionicPro2 Mini | Linear Surface/Wall WMC .75"+2" Continuous Channels

INSTALLATION INSTRUCTIONS

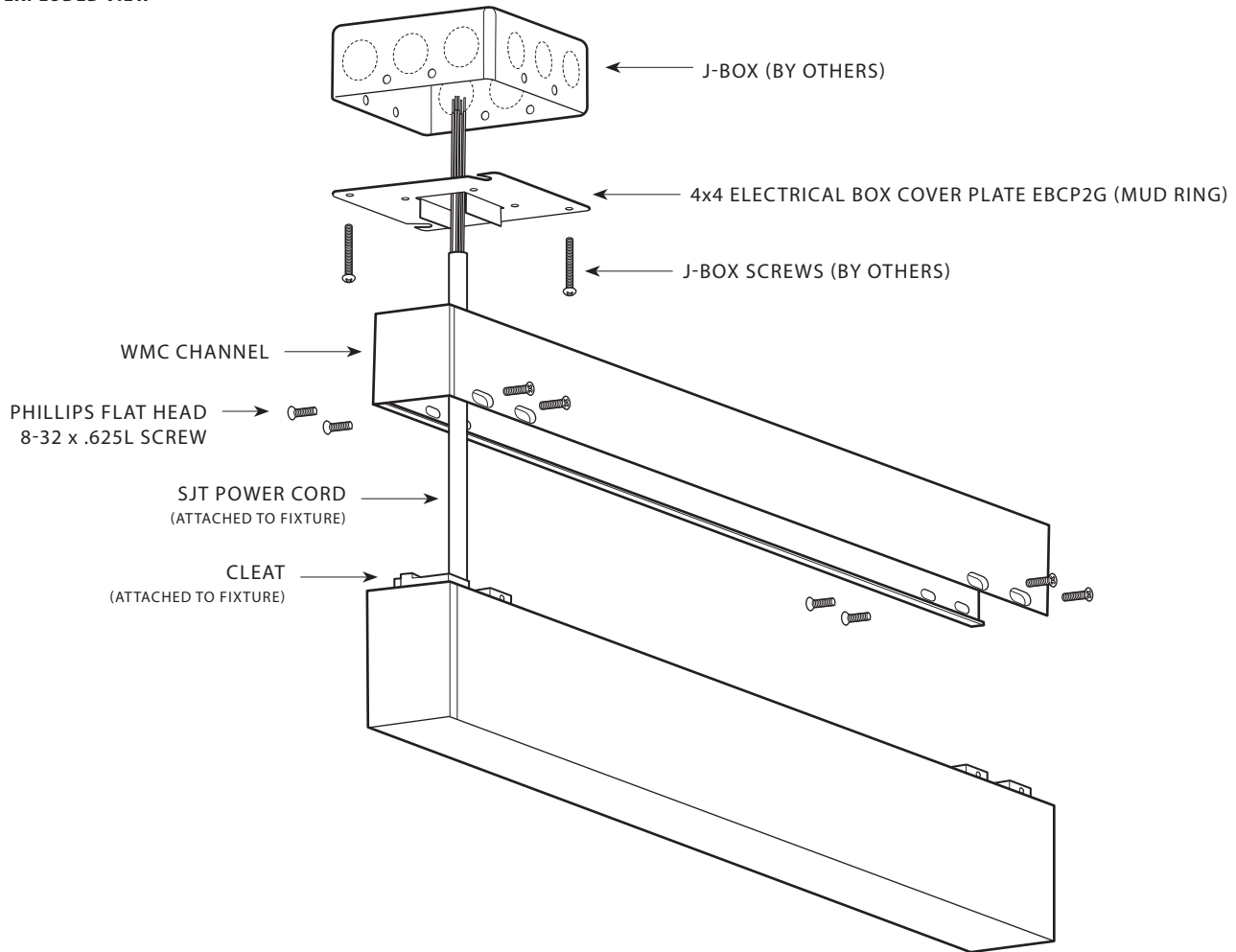


PRUDENTIAL LTG.

PRULITE.COM 213.746.0360

SURFACE MOUNT

EXPLODED VIEW



WARNING: Ground fixture in accordance with local and national electrical codes. Failure to do so may result in serious personal injury. Fixture Installations should ONLY be done by a qualified licensed electrical professional.

BionicPro & BionicPro2 Mini | Linear Surface/Wall WMC .75"+2" Continuous Channels

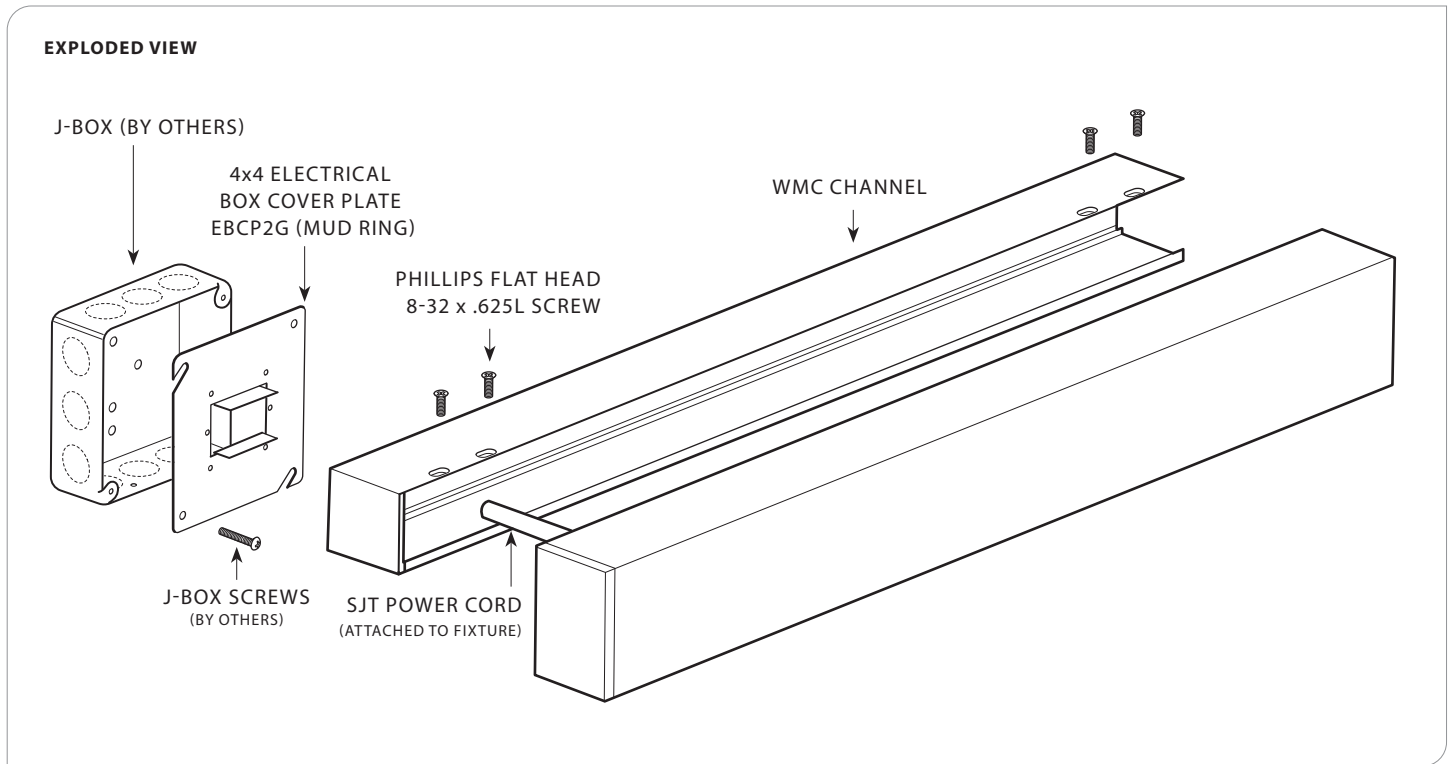
INSTALLATION INSTRUCTIONS



PRUDENTIAL LTG.

PRULITE.COM 213.746.0360

WALL MOUNT



WARNING: Ground fixture in accordance with local and national electrical codes. Failure to do so may result in serious personal injury. Fixture installations should ONLY be done by a qualified licensed electrical professional.

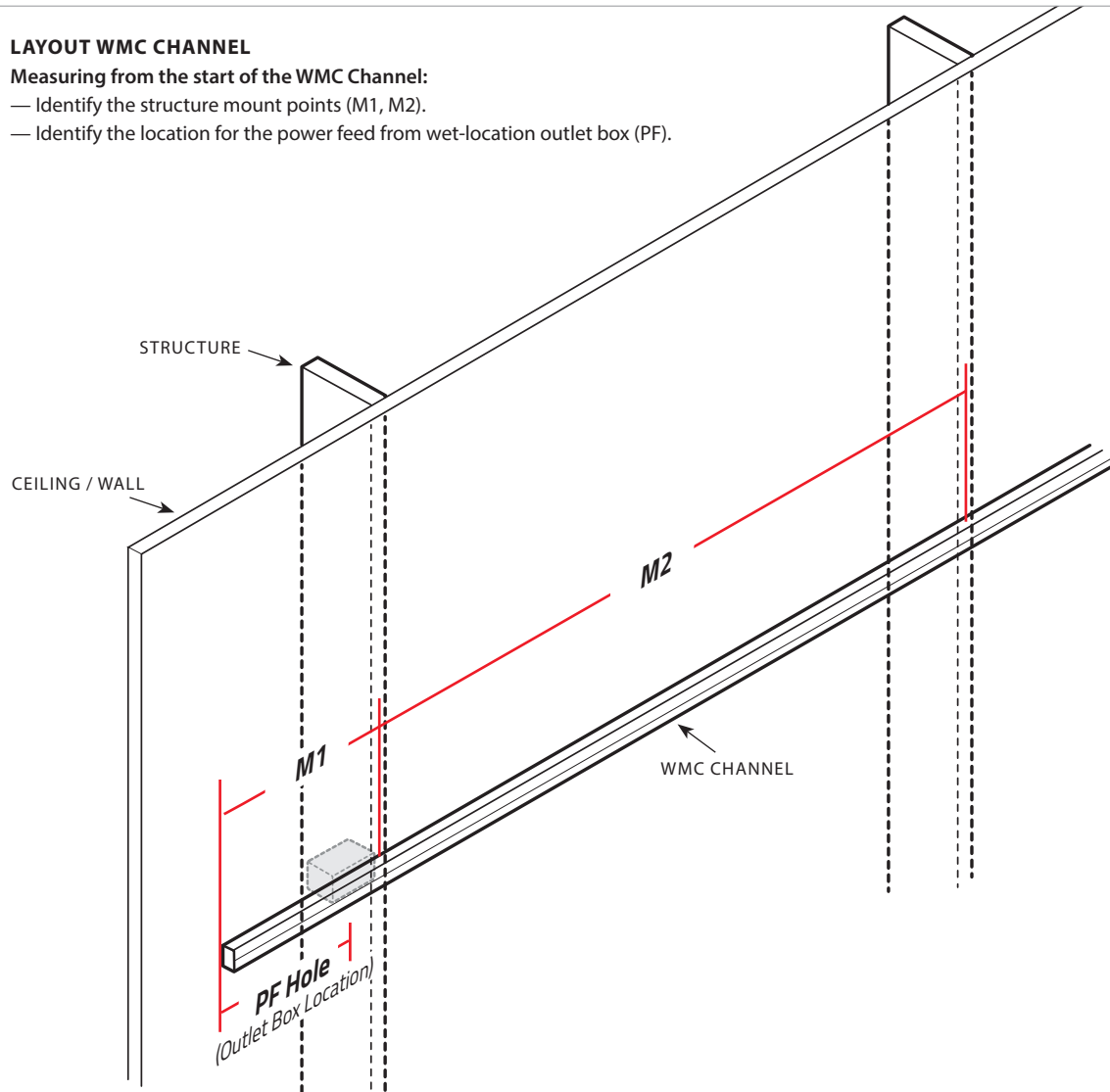


INDIVIDUAL / START POWER FEED FIXTURE INSTALL

1) LAYOUT WMC CHANNEL

Measuring from the start of the WMC Channel:

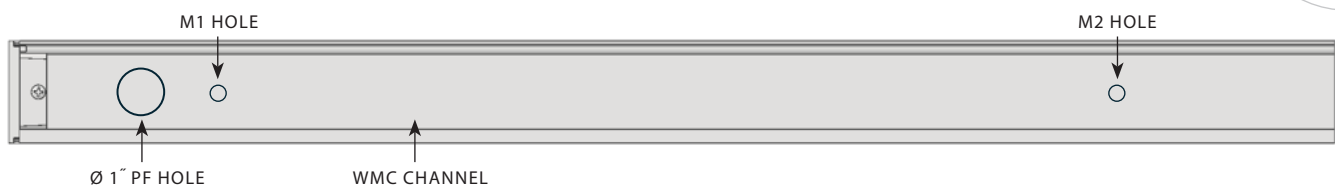
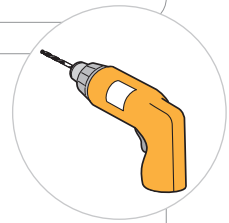
- Identify the structure mount points (M1, M2).
- Identify the location for the power feed from wet-location outlet box (PF).



2) — Drill the M1/M2 holes at the identified locations from step #1.

The hole size is dependent on the mounting hardware (by others).

- Drill a $\varnothing 1"$ PF hole in the WMC channel at the identified location from Step #1.



WARNING: Ground fixture in accordance with local and national electrical codes. Failure to do so may result in serious personal injury. Fixture Installations should ONLY be done by a qualified licensed electrical professional.

BionicPro & BionicPro2 Mini | Linear Surface/Wall WMC .75" + 2" Continuous Channels

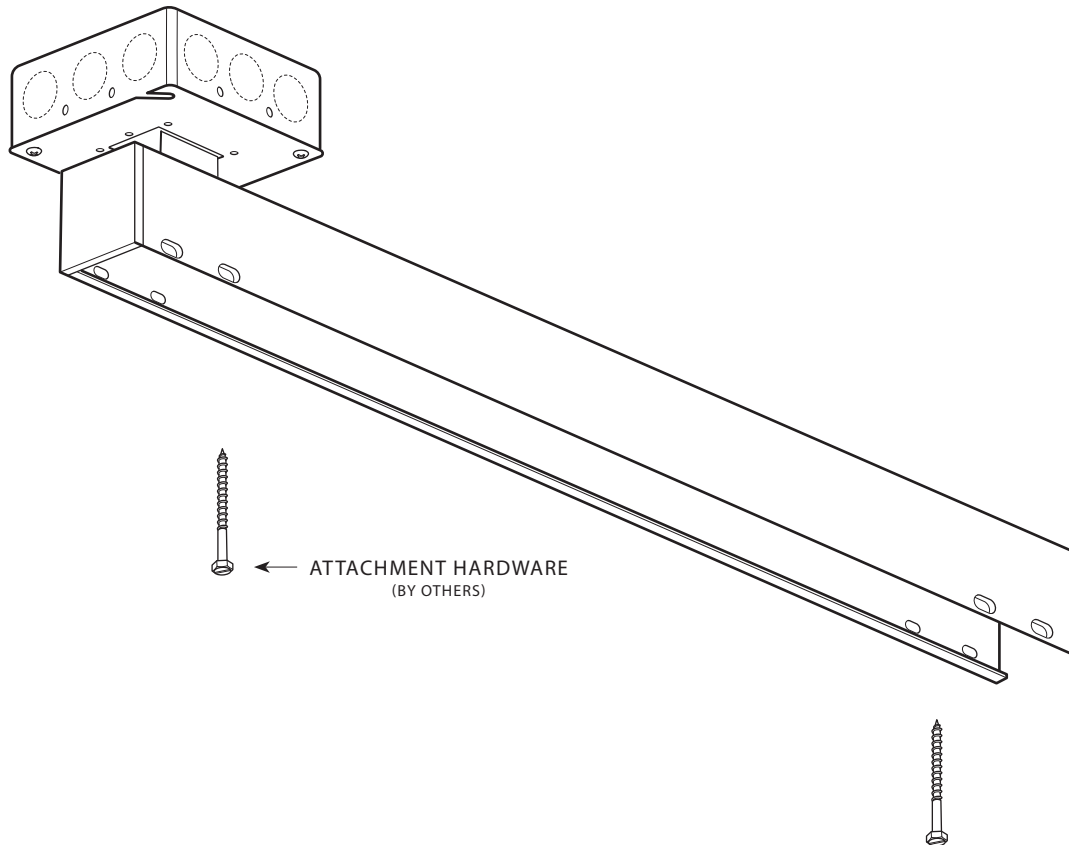
INSTALLATION INSTRUCTIONS



PRUDENTIAL LTG.

PRULITE.COM 213.746.0360

3) Using M1 and M2 holes, attach channel to wall/surface.

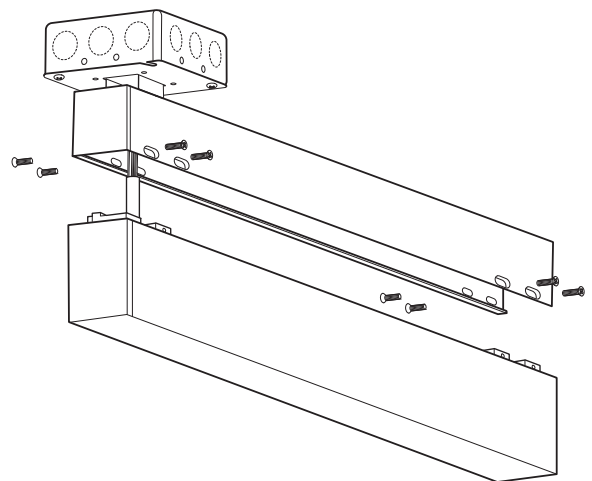


4) Lift the fixture near ceiling and make wire connections.

WIRING:

0-10V (+) : PURPLE	0-10V (-) : PINK
DALI (+) : PURPLE	DALI (-) : PINK
EcoSystem DALI (+) : PURPLE	EcoSystem DALI (-) : PINK
HOT : BLACK	
NEUTRAL : WHITE	
GROUND : GREEN	
CONSTANT HOT (EM) : RED	

5) Using 8-32 x 5/8" flat head Phillips screws, fasten fixture to channel.



WARNING: Ground fixture in accordance with local and national electrical codes. Failure to do so may result in serious personal injury. Fixture Installations should ONLY be done by a qualified licensed electrical professional.



Prudential Ltg. reserves the right to change design specifications or materials without notice. Please visit prulite.com for most current data.
© 2026 All rights reserved—All products manufactured at: Prudential Ltg. 1774 E. 21st Street, Los Angeles, CA 90058

BionicPro & BionicPro2 Mini | Linear Surface/Wall WMC .75"+2" Continuous Channels

INSTALLATION INSTRUCTIONS



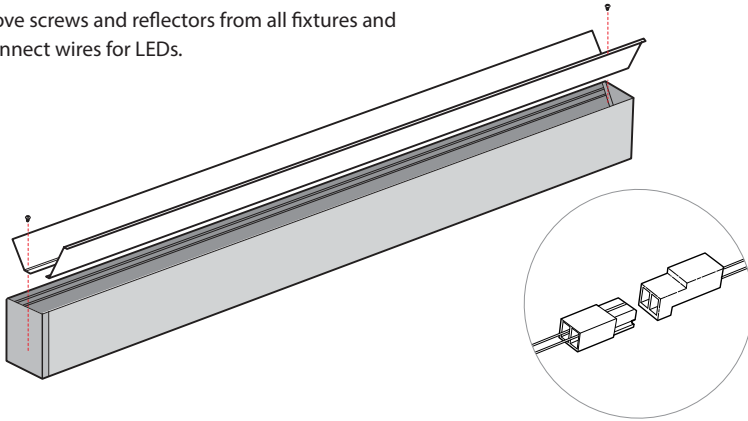
PRUDENTIAL LTG.

PRULITE.COM 213.746.0360

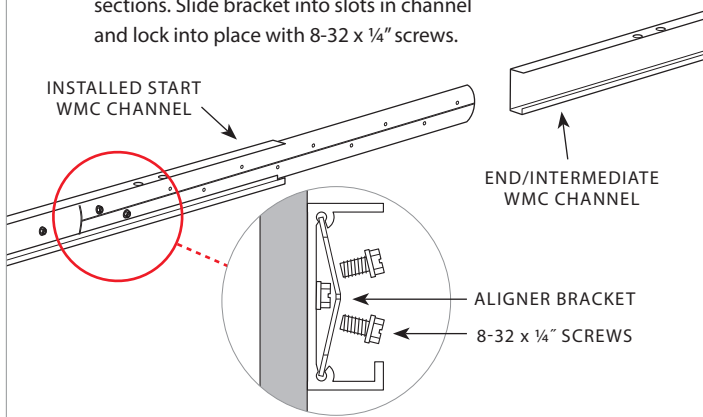
WMC WALL ROW FIXTURE INSTALL

⚠ DO NOT BUILD ROWS ON FLOOR TO HOIST **👤👤 REQUIRES TWO PEOPLE TO INSTALL** **POWER CORD SHIPPED ATTACHED**

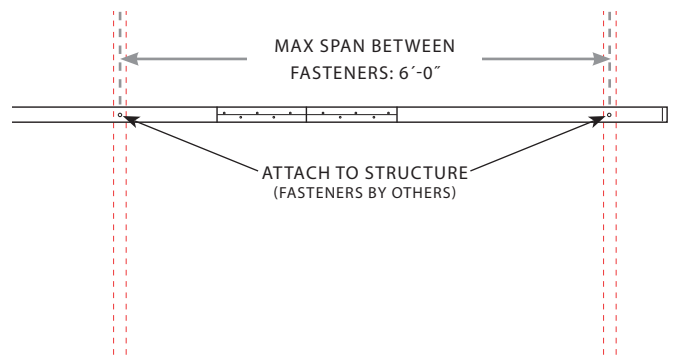
- 1)** Remove screws and reflectors from all fixtures and disconnect wires for LEDs.



- 2)** Continue to layout the next Intermediate or End WMC Channel section, using the channel aligner bracket to align channel sections. Slide bracket into slots in channel and lock into place with 8-32 x 1/4" screws.

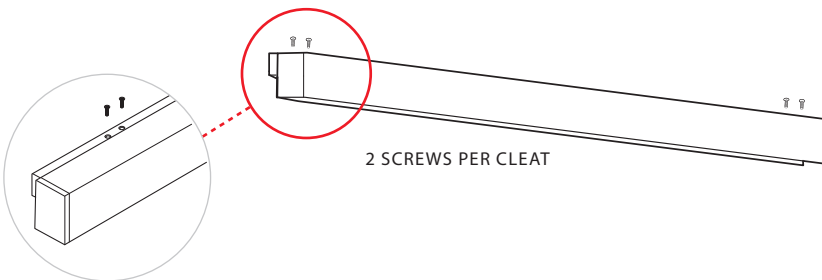


- 3)** Attach WMC channel to structure — if using the aligner bracket to span between connection points, max span is 6'-0". Continue installation of WMC channel until complete.



- 4)** Lift the start fixture up to the installed channel and install cleat screws through WMC channel's factory drilled holes and into the factory installed cleats.

WALL



- 5)** Continue to row joining steps.

WARNING: Ground fixture in accordance with local and national electrical codes. Failure to do so may result in serious personal injury. Fixture Installations should ONLY be done by a qualified licensed electrical professional.

BionicPro & BionicPro2 Mini | Linear Surface/Wall WMC .75"+2" Continuous Channels

INSTALLATION INSTRUCTIONS



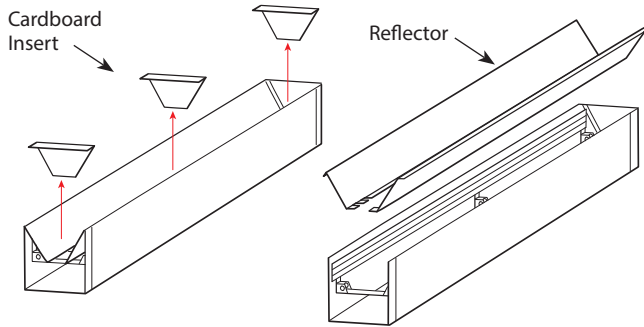
PRUDENTIAL LTG.

PRULITE.COM 213.746.0360

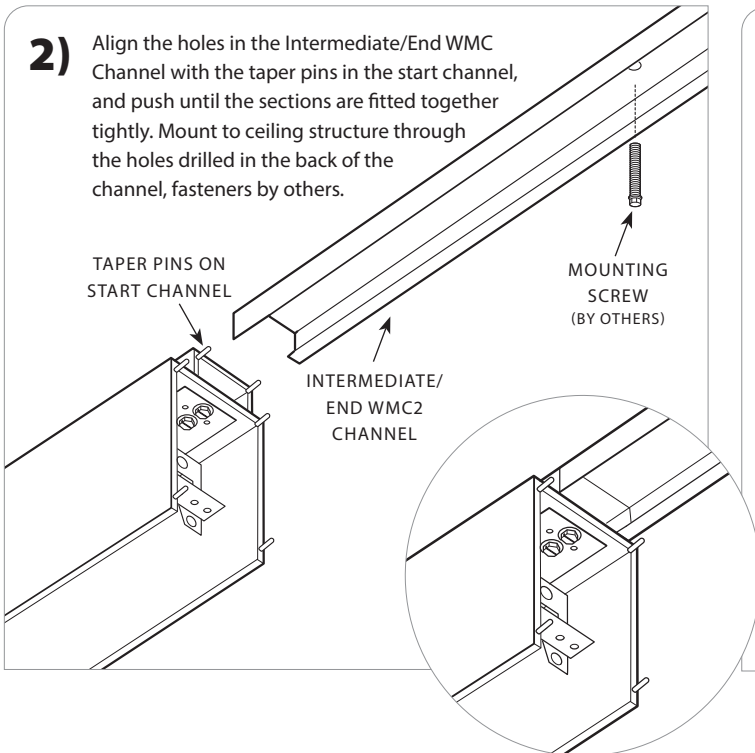
WMC SURFACE ROW FIXTURE INSTALL

⚠ DO NOT BUILD ROWS ON FLOOR TO HOIST **👤👤 REQUIRES TWO PEOPLE TO INSTALL** **POWER CORD SHIPPED ATTACHED**

- 1)** Remove cardboard inserts and reflectors. Leave LED assembly in place.

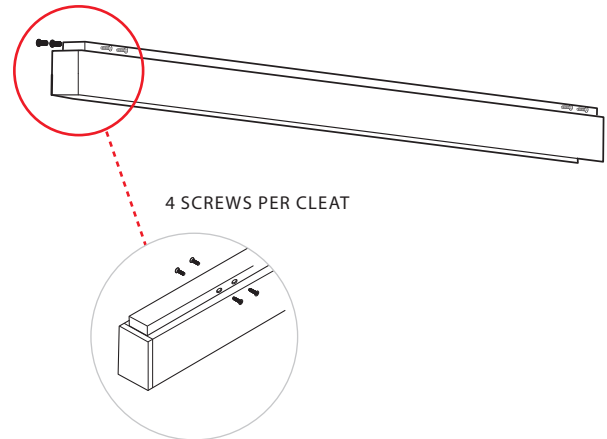


- 2)** Align the holes in the Intermediate/End WMC Channel with the taper pins in the start channel, and push until the sections are fitted together tightly. Mount to ceiling structure through the holes drilled in the back of the channel, fasteners by others.



- 3)** Lift the fixture up to the installed channel and install cleat screws through WMC channel's factory drilled holes and into the factory installed cleats. Tighten screws to channel.

SURFACE



WARNING: Ground fixture in accordance with local and national electrical codes. Failure to do so may result in serious personal injury. Fixture Installations should ONLY be done by a qualified licensed electrical professional.

BionicPro & BionicPro2 Mini | Linear Surface/Wall WMC .75"+2" Continuous Channels

INSTALLATION INSTRUCTIONS



PRUDENTIAL LTG.

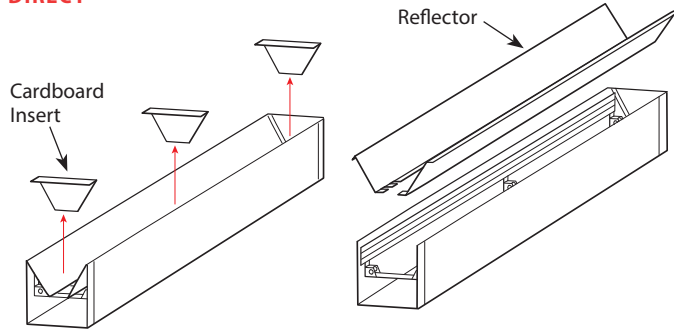
PRULITE.COM 213.746.0360

ROW FIXTURE INSTALL

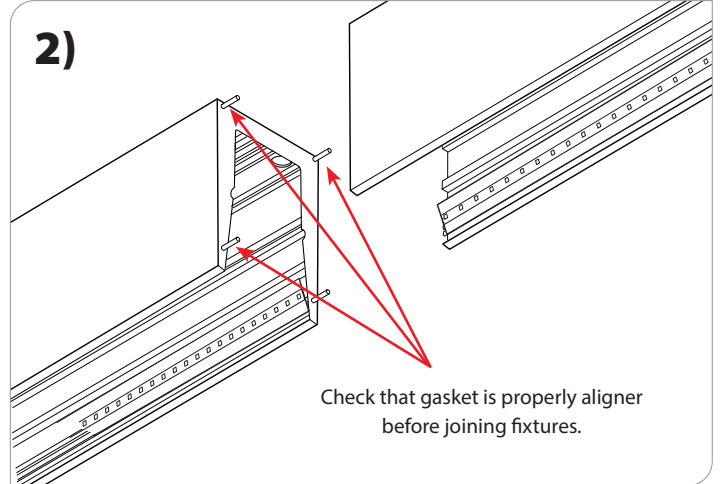
⚠ DO NOT BUILD ROWS ON FLOOR TO HOIST **👤👤 REQUIRES TWO PEOPLE TO INSTALL** **CORD SHIPPED INSTALLED**

- 1)** Remove cardboard inserts and reflectors. Leave LED assembly in place.

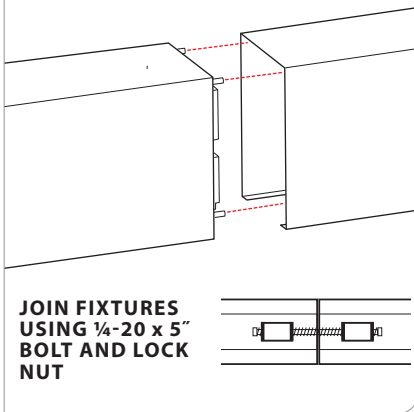
DIRECT



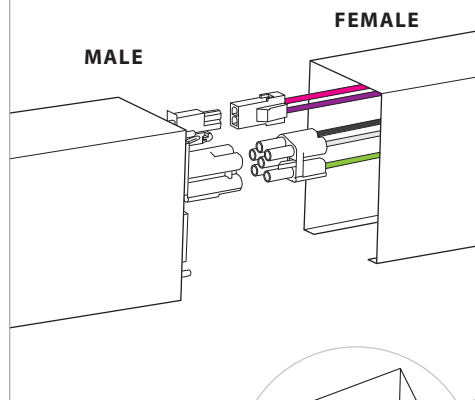
- 2)**



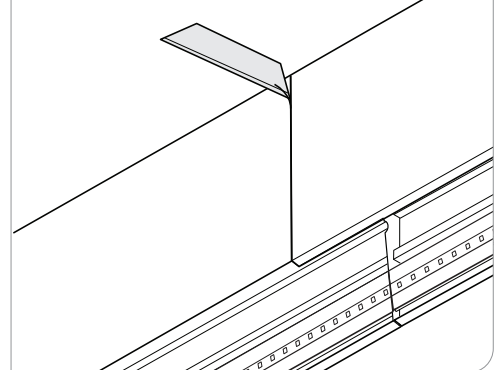
- 3)** Make sure pins are aligner.



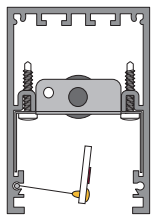
- 4)** Make electrical and dimming harness connections.



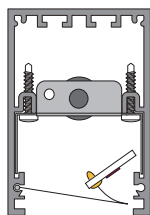
- 5)** If gasket protrudes from the fixture after joining, carefully trim flush with sharp razor blade.



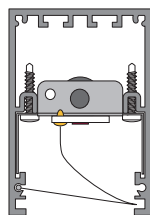
- 6)** Using 6-32 x 1/4" screws, attach LED tray assembly to stiffener brackets. LED assembly should be relatively flush with the end of the extrusion/body when installed correctly.



1. REMOVE LED ASSEMBLY

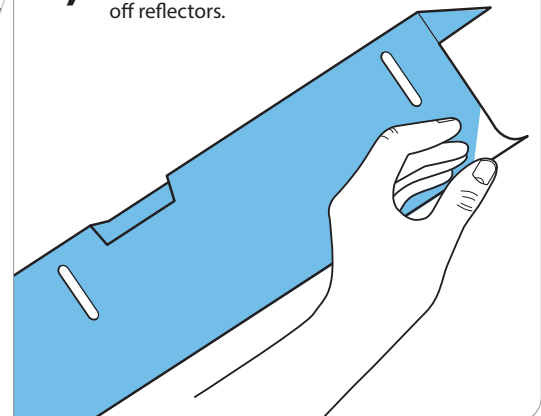


2. ROTATE LED ASSEMBLY



3. INSERT LED ASSEMBLY AGAINST STIFFENER

- 7)** Peel blue protective covering off reflectors.



WARNING: Ground fixture in accordance with local and national electrical codes. Failure to do so may result in serious personal injury. Fixture Installations should ONLY be done by a qualified licensed electrical professional.



Prudential Ltg. reserves the right to change design specifications or materials without notice. Please visit prulite.com for most current data. © 2026 All rights reserved—All products manufactured at: Prudential Ltg. 1774 E. 21st Street, Los Angeles, CA 90058

BionicPro & BionicPro2 Mini | Linear Surface/Wall WMC .75"+2" Continuous Channels

INSTALLATION INSTRUCTIONS

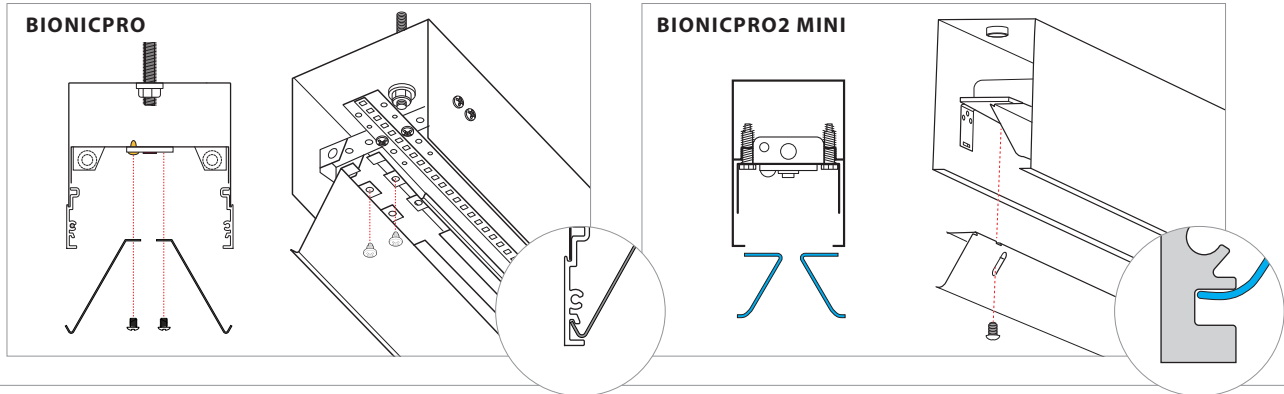


PRUDENTIAL LTG.

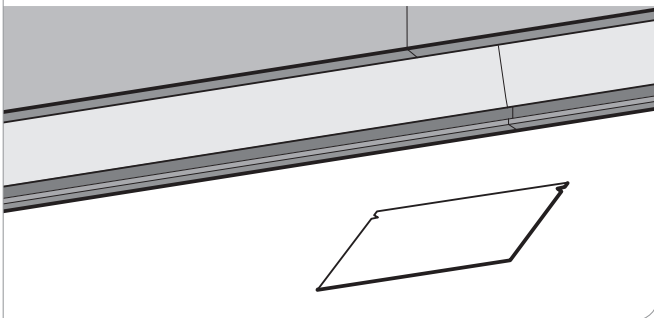
PRULITE.COM 213.746.0360

- 7)** Install reflectors to fixture by attaching them to LED assembly using 6-32 x 1/4" screws. Reflectors should be flush with end of LED assembly. Tuck wiring behind first installed reflector before installing the second.

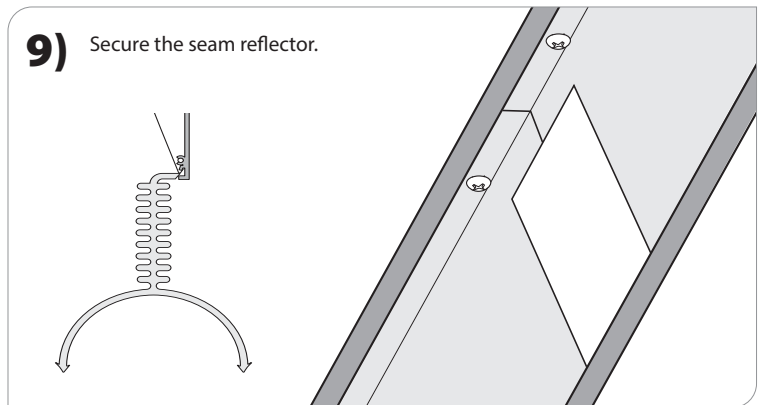
Reflectors should be flush with end of LED assembly.



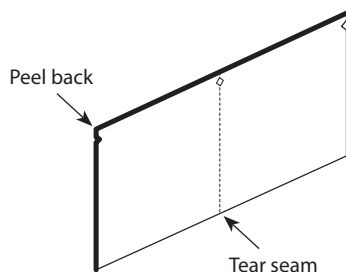
- 8)** Place seam tape over reflector seam.



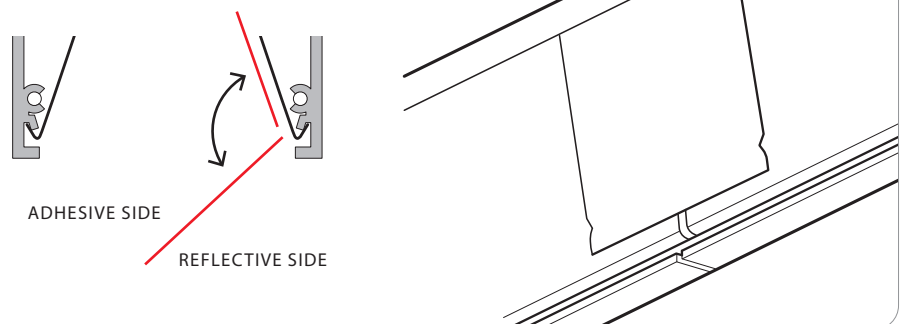
- 9)** Secure the seam reflector.



- 10)** Tear seam reflector at perforation. Peel film to reveal adhesive.



- 11)** Insert seam reflector above break in reflector.



WARNING: Ground fixture in accordance with local and national electrical codes. Failure to do so may result in serious personal injury. Fixture Installations should ONLY be done by a qualified licensed electrical professional.

USA Prudential Ltg. reserves the right to change design specifications or materials without notice. Please visit prulite.com for most current data. © 2026 All rights reserved—All products manufactured at: Prudential Ltg. 1774 E. 21st Street, Los Angeles, CA 90058



LENS INSTALLATION

⚠️ ENERGIZE ROWS TO ENSURE ALL LEDS ARE WORKING BEFORE INSTALL **👤 LENS REQUIRES TWO PEOPLE TO INSTALL**

LENS ORIENTATION

SAL – Satin lens has both sides the same, reversible, no orientation

BTW – Batwing shiny side UP, matte frosted side DOWN.

MGZ/WWF/WWG/PFL – Wall Wash and Perimeter lenses, ribbed side UP (they can be seen and felt).

NOTE: WWG and PFL are the same with opposite orientation

Stickers indicate **WALL** and **ROOM** sides, but the lens also has engraving indicating each as shown.

RECOMMENDED: Start lens installation from **LEFT** to **RIGHT**.

START

INTERMEDIATE

END

LENS INSTALLATION — IF ALL FIXTURES ARE ALREADY INSTALLED

1) Measure 18" from end cap. Using a pencil, place a small mark on the fixture.

2) Make sure lens is square.

3) Install tape strip **TIGHTLY** approximately 16" from start.

4) Insert lens into lens tool, then place just before **TIGHT** tape strip.

FOR BPRO2-REG3

Install clamp before inserting into fixture. Once installed in fixture, remove clamp and proceed to step 5.

Lens tool with clamp installed into fixture Clamp removed

WARNING: Ground fixture in accordance with local and national electrical codes. Failure to do so may result in serious personal injury. Fixture Installations should ONLY be done by a qualified licensed electrical professional.



INSTALLATION INSTRUCTIONS

5) Install **LOOSE** tape strip about 12" from start to hold lens parallel to fixture (easier to pull).

6) Pull lens through channel with fingers or non-marring pliers.

NOTE: Hold lens roll near ceiling, close to horizontal with fixture.

7) Use tape strip to pull lens into end cap.

END OF ROW

8) Make sure lens is tucked inside end cap.

END OF ROW

9) At start of fixture, remove tape strips and as a rough cut trim lens 1" past end cap.

! MAKE SURE LENS IS TUCKED INTO END CAP AT END OF ROW AS SHOWN IN STEP 8

10) Mark lens with pencil where you made the mark 18" from start of row inside fixture.

! MAKE SURE LENS IS TUCKED INTO END CAP AT END OF ROW AS SHOWN IN STEP 8

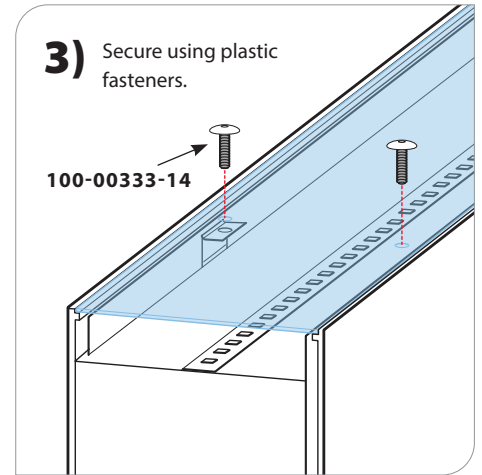
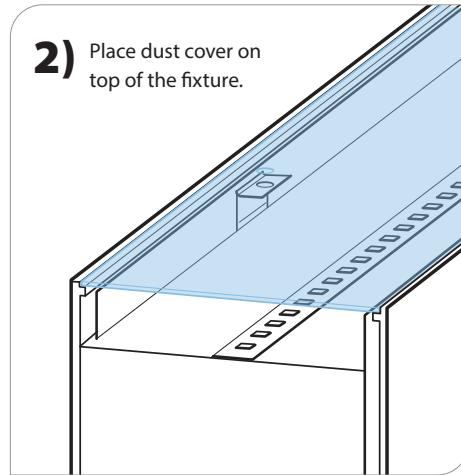
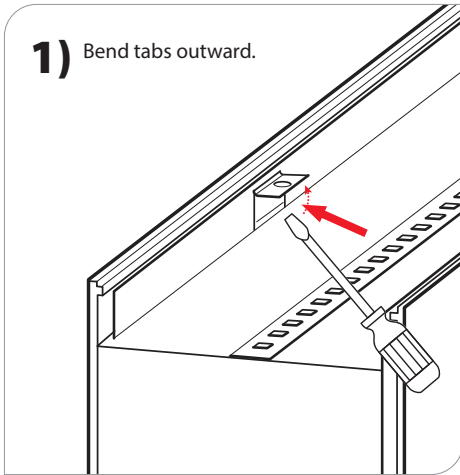
11) Measure 18 1/16" from mark on lens to near end of lens. Mark and trim lens.

12) Slide lens tool end cap to insert remaining lens, using other end of tool or fingers to insert at end cap.

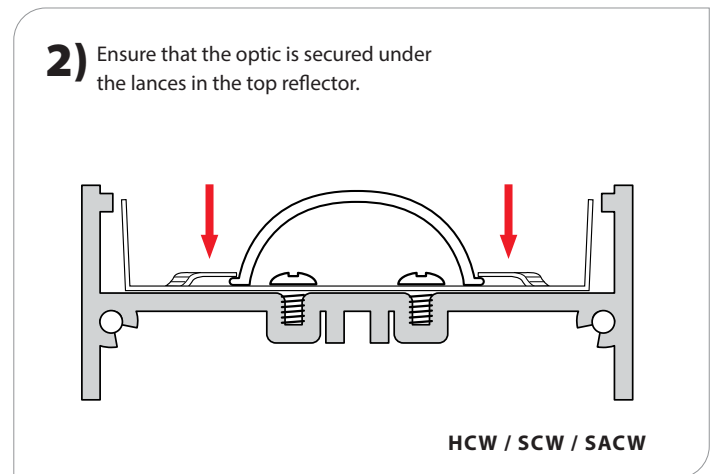
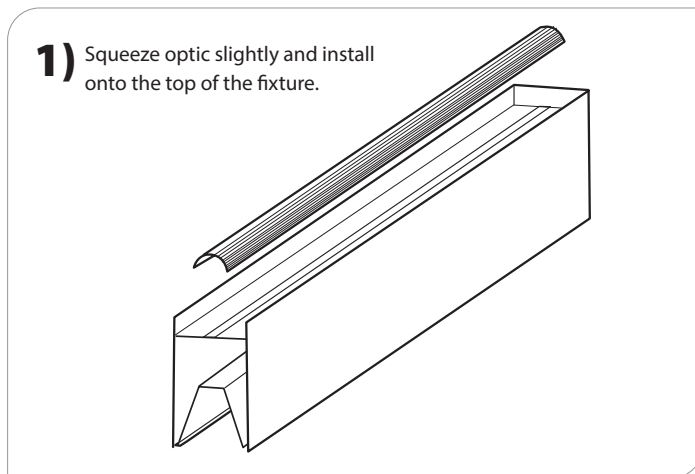
WARNING: Ground fixture in accordance with local and national electrical codes. Failure to do so may result in serious personal injury. Fixture Installations should ONLY be done by a qualified licensed electrical professional.



DUST COVER



INDIRECT OPTIC



WARNING: Ground fixture in accordance with local and national electrical codes. Failure to do so may result in serious personal injury. Fixture Installations should ONLY be done by a qualified licensed electrical professional.