



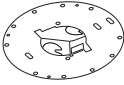




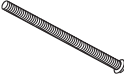






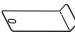
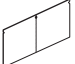
BionicPro & BionicPro2 Mini | Linear

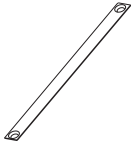
SSC & RSC Stem Mount

INSTALLATION INSTRUCTIONS

X3 (HARD CEILING)






PART	PART NO.	DESCRIPTION
CANOPY ASSEMBLY:		
	100-00025-29	Canopy Body (2 x Start/Individual)
	100-00277-03	Canopy Cover (1 x Intermediate/End)
	100-01163-10 Black	Flex Boot
	100-01164-10 White	
	100-00273-03	SSC (Swivel) Canopy Yoke
	100-00274-03	SSC (Swivel) Center Block
	100-00275-03	SSC (Swivel) Canopy Stem Yoke
	100-00305-03	RSC (Rigid) Canopy Yoke
	100-00120-07	Install Assist Hook (2 x Powered Canopy)
	169332	Installation Sub Plate (1 x Powered Canopy)
	100-00134-14	#10 x 3/4" Screw
	3/8" IPS Threaded Stem	(1 x canopy up to 8') (2 x canopy over 8')
	<small>(Stems ordered over 8' will be provided in two pieces connected by a coupler)</small>	
	100-00058-20	Stem Coupler (Stems over 8' only)
	183548	Cover Install Tool
	100-00283-14	1/4-20 x 5.0 Round Head Combination Drive Machine Screw
	100-00255-14	1/4-20 KEPS Locknut
	100-00302-03	SSC/RSC Lock Nut (1 x Stem)
	100-00464-17	SSC/RSC Lock Nut Gasket (Thick) (1 x Stem)
	100-00463-17	SSC/RSC Lock Nut Friction Ring (Thin) (1 x Stem)
	100-00462-10	2" — BionicPro Lens Tool — White
	100-00464-10	3" — BionicPro Lens Tool — Natural
	100-00465-10	4" — BionicPro Lens Tool — Black
	100-00463-10	5" — BionicPro Lens Tool — White
	100-00040-20	Tape Strips
	82484	Lens Removal Tool (maintenance only)
	100-00486-10	BionicPro Seam Reflector
	100-01177-10	BionicPro2 Mini Seam Reflector

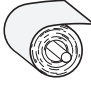
PART	PART NO.	DESCRIPTION
LRT (LINEAR TO RECESSED TRANSITION PLATES):		
	Direct to REC/PER	Direct/Indirect to REC/PER
	2" — 135770	135774
	3" — 135771	135775
	4" — 135772	135776
	5" — 135773	135777

BIONICPRO LINEAR OPTIONS (NA WITH MINI):

PART	PART NO.	DESCRIPTION
OPTICS & LOUVERS:		
	100-00472-10	Soft Asymmetric Ceiling Wash
	100-00471-10	Soft Ceiling Wash
	100-00186-10	Plastic Lens Holder
	100-00321-02	Reflector
	100-00479-10	Top Glow Lens
	100-01002-18	CLEAR Acrylic Dust Cover
	100-00885-18	FROSTED Acrylic Dust Cover
	100-00333-14	Plastic Push-In Fasteners
	100-00374-07	2" — Louver
	100-00375-07	3" — Louver
	100-00376-10	4" — Louver
	100-00377-07	5" — Louver
	100-00353-14	#4-40 x 1/4" Flat Head Screw (Painted)

FTR (FEATHERING DIFFUSER):

	100-00843-10	Diffuser
	100-00374-14	Nylon Spacer Washer
	100-00182-14	6-32 x 1/2" Screw

PARTS LIST	SIZE	PART NO.	SAL	BTW	WWF	PFL/WWG	NGZ	MGZ	WGZ
LENSES:									
	2" —	100-00966-18	100-00961-18	100-00973-18	100-00978-18	100-00983-18	100-01004-18	100-00988-18	100-00988-18
	3" —	100-00967-18	100-00962-18	100-00974-18	100-00979-18	100-00984-18	100-01005-18	100-00989-18	100-00989-18
	4" —	100-00968-18	100-00963-18	100-00975-18	100-00980-18	100-00985-18	100-01006-08	100-00990-18	100-00990-18
	5" —	100-00969-18	100-00964-18	100-00976-18	100-00981-18	100-00986-18	100-01007-18	100-00991-18	100-00991-18

WARNING: Ground fixture in accordance with local and national electrical codes. Failure to do so may result in serious personal injury. Fixture Installations should ONLY be done by a qualified licensed electrical professional.

BionicPro & BionicPro2 Mini | Linear

SSC & RSC Stem Mount

INSTALLATION INSTRUCTIONS

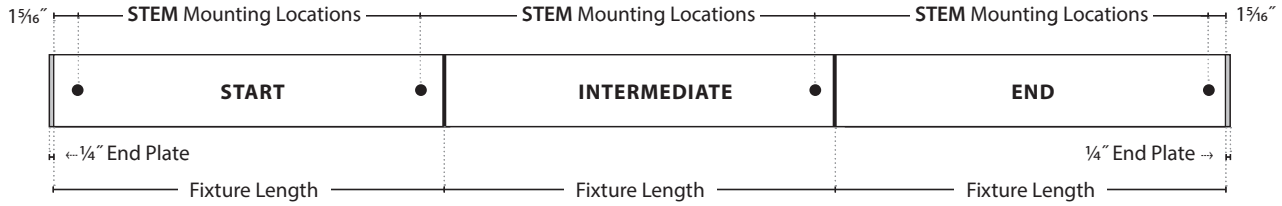
X3 (HARD CEILING)



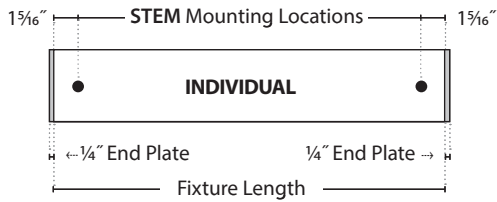
PRUDENTIAL LTG.

PRULITE.COM 213.746.0360

STEM (SSC/RSC) — MOUNTING

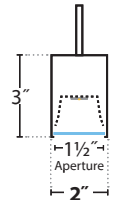


INDIVIDUAL:



	STEM LOCATIONS	
	Start / Individual	Intermediate / End
2'	24"	24"
3'	36"	36"
4'	48"	48"
5'	60"	60"
6'	72"	72"
7'	84"	84"
8'	96"	96"

R/SSC — STEM



WARNING: Ground fixture in accordance with local and national electrical codes. Failure to do so may result in serious personal injury. Fixture Installations should ONLY be done by a qualified licensed electrical professional.

BionicPro & BionicPro2 Mini | Linear

SSC & RSC Stem Mount

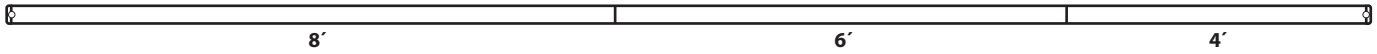
INSTALLATION INSTRUCTIONS



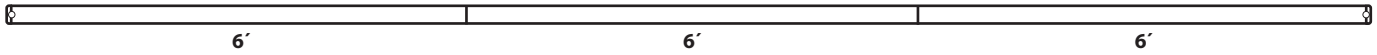
PRUDENTIAL LTG.

PRULITE.COM 213.746.0360

18' STANDARD ROW LENGTH:



18' SYMMETRIC ROW LENGTH (SRL):



STANDARD

ROW LENGTH		
9'	5+4	5FT STR + 4FT END
10'	6+4	6FT STR + 4FT END
11'	7+4	7FT STR + 4FT END
12'	8+4	8FT STR + 4FT END
13'	8+5	8FT STR + 5FT END
14'	8+6	8FT STR + 6FT END
15'	8+7	8FT STR + 7FT END
16'	8+8	8FT STR + 8FT END
17'	8+5+4	8FT STR + 5FT INT + 4FT END
18'	8+6+4	8FT STR + 6FT INT + 4FT END
19'	8+7+4	8FT STR + 7FT INT + 4FT END
20'	8+8+4	8FT STR + 8FT INT + 4FT END
21'	8+8+5	8FT STR + 8FT INT + 5FT END
22'	8+8+6	8FT STR + 8FT INT + 6FT END
23'	8+8+7	8FT STR + 8FT INT + 7FT END
24'	8+8+8	8FT STR + 8FT INT + 8FT END
25'	8+8+5+4	8FT STR + 8FT INT + 5FT INT + 4FT END
26'	8+8+6+4	8FT STR + 8FT INT + 6FT INT + 4FT END
27'	8+8+7+4	8FT STR + 8FT INT + 7FT INT + 4FT END
28'	8+8+8+4	8FT STR + (2) 8FT INT + 4FT END
29'	8+8+8+5	8FT STR + (2) 8FT INT + 5FT END
30'	8+8+8+6	8FT STR + (2) 8FT INT + 6FT END
31'	8+8+8+7	8FT STR + (2) 8FT INT + 7FT END
32'	8+8+8+8	8FT STR + (2) 8FT INT + 8FT END
33'	8+8+8+5+4	8FT STR + (2) 8FT INT + 5FT INT + 4FT END
34'	8+8+8+6+4	8FT STR + (2) 8FT INT + 6FT INT + 4FT END
35'	8+8+8+7+4	8FT STR + (2) 8FT INT + 7FT INT + 4FT END
36'	8+8+8+8+4	8FT STR + (3) 8FT INT + 4FT END
37'	8+8+8+8+5	8FT STR + (3) 8FT INT + 5FT END
38'	8+8+8+8+6	8FT STR + (3) 8FT INT + 6FT END
39'	8+8+8+8+7	8FT STR + (3) 8FT INT + 7FT END
40'	8+8+8+8+8	8FT STR + (3) 8FT INT + 8FT END
41'	8+8+8+8+5+4	8FT STR + (3) 8FT INT + 5FT INT + 4FT END
42'	8+8+8+8+6+4	8FT STR + (3) 8FT INT + 6FT INT + 4FT END
43'	8+8+8+8+7+4	8FT STR + (3) 8FT INT + 7FT INT + 4FT END
44'	8+8+8+8+8+4	8FT STR + (4) 8FT INT + 4FT END
45'	8+8+8+8+8+5	8FT STR + (4) 8FT INT + 5FT END
46'	8+8+8+8+8+6	8FT STR + (4) 8FT INT + 6FT END
47'	8+8+8+8+8+7	8FT STR + (4) 8FT INT + 7FT END
48'	8+8+8+8+8+8	8FT STR + (4) 8FT INT + 8FT END
49'	8+8+8+8+8+5+4	8FT STR + (4) 8FT INT + 5FT INT + 4FT END
50'	8+8+8+8+8+6+4	8FT STR + (4) 8FT INT + 6FT INT + 4FT END

SYMMETRICAL

ROW LENGTH		
9'	3+3+3	3FT STR + 3FT INT + 3FT END
10'	5+5	5FT STR + 5FT END
11'	4+3+4	4FT STR + 3FT INT + 4FT END
12'	6+6	6FT STR + 6FT END
13'	4+5+4	4FT STR + 5FT INT + 4FT END
14'	7+7	7FT STR + 7FT END
15'	5+5+5	5FT STR + 5FT INT + 5FT END
16'	8+8	8FT STR + 8FT END
17'	6+5+6	6FT STR + 5FT INT + 6FT END
18'	6+6+6	6FT STR + 6FT INT + 6FT END
19'	6+7+6	6FT STR + 7FT INT + 6FT END
20'	8+4+8	8FT STR + 4FT INT + 8FT END
21'	8+5+8	8FT STR + 5FT INT + 8FT END
22'	8+6+8	8FT STR + 6FT INT + 8FT END
23'	8+7+8	8FT STR + 7FT INT + 8FT END
24'	8+8+8	8FT STR + 8FT INT + 8FT END
25'	6+4+5+4+6	6FT STR + 4FT INT + 5FT INT + 4FT INT + 6FT END
26'	8+5+5+8	8FT STR + (2) 5FT INT + 8FT END
27'	6+5+5+5+6	6FT STR + (3) 5FT INT + 6FT END
28'	8+6+6+8	8FT STR + (2) 6FT INT + 8FT END
29'	8+4+5+4+8	8FT STR + 4FT INT + 5FT INT + 4FT INT + 8FT END
30'	8+7+7+8	8FT STR + (2) 7FT INT + 8FT END
31'	8+5+5+5+8	8FT STR + (3) 5FT INT + 8FT END
32'	8+8+8+8	8FT STR + (2) 8FT INT + 8FT END
33'	8+6+5+6+8	8FT STR + 6FT INT + 5FT INT + 6FT INT + 8FT END
34'	8+6+6+6+8	8FT STR + 6FT INT + 6FT INT + 6FT INT + 8FT END
35'	8+6+7+6+8	8FT STR + 6FT INT + 7FT INT + 6FT INT + 8FT END
36'	8+8+4+8+8	8FT STR + 8FT INT + 4FT INT + 8FT INT + 8FT END
37'	8+8+5+8+8	8FT STR + 8FT INT + 5FT INT + 8FT INT + 8FT END
38'	8+8+6+8+8	8FT STR + 8FT INT + 6FT INT + 8FT INT + 8FT END
39'	8+8+7+8+8	8FT STR + 8FT INT + 7FT INT + 8FT INT + 8FT END
40'	8+8+8+8+8	8FT STR + (3) 8FT INT + 8FT END
41'	8+6+4+5+4+6+8	8FT STR + 6FT INT + 4FT INT + 5FT INT + 4FT INT + 6FT INT + 8FT END
42'	8+8+5+5+8+8	8FT STR + 8FT INT + (2) 5FT INT + 8FT INT + 8FT END
43'	8+6+5+5+5+6+8	8FT STR + 6FT INT + (3) 5FT INT + 6FT INT + 8FT END
44'	8+8+6+6+8+8	8FT STR + 8FT INT + (2) 6FT INT + 8FT INT + 8FT END
45'	8+8+4+5+4+8+8	8FT STR + 8FT INT + 4FT INT + 5FT INT + 4FT INT + 8FT INT + 8FT END
46'	8+8+7+7+8+8	8FT STR + 8FT INT + (2) 7FT INT + 8FT INT + 8FT END
47'	8+8+5+5+5+8+8	8FT STR + 8FT INT + (3) 5FT INT + 8FT INT + 8FT END
48'	8+8+8+8+8+8	8FT STR + (4) 8FT INT + 8FT END
49'	8+8+6+5+6+8+8	8FT STR + 8FT INT + 6FT INT + 5FT INT + 6FT INT + 8FT INT + 8FT END
50'	8+8+6+6+6+8+8	8FT STR + 8FT INT + (3) 6FT INT + 8FT INT + 8FT END



BionicPro & BionicPro2 Mini | Linear

SSC & RSC Stem Mount

INSTALLATION INSTRUCTIONS

X3 (HARD CEILING)

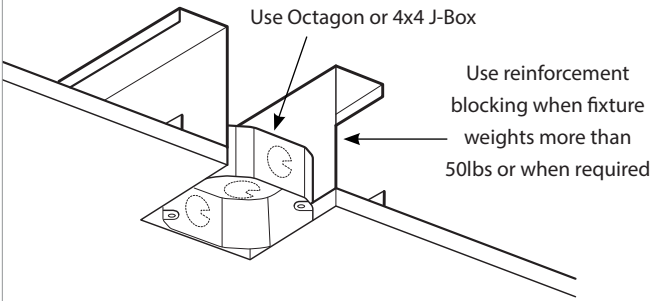


PRUDENTIAL LTG.

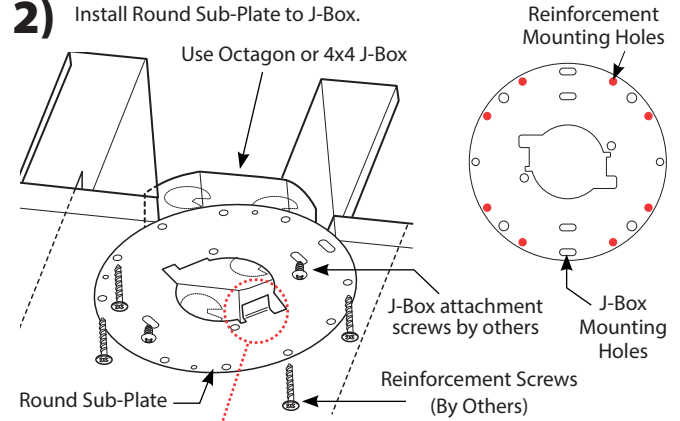
PRULITE.COM 213.746.0360

MAY REQUIRE TWO PEOPLE TO INSTALL

1) Check Ceiling Condition.

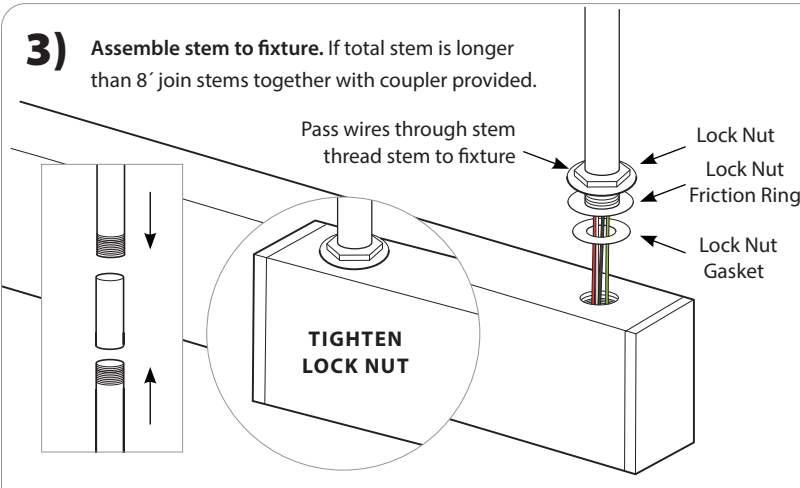


2) Install Round Sub-Plate to J-Box.

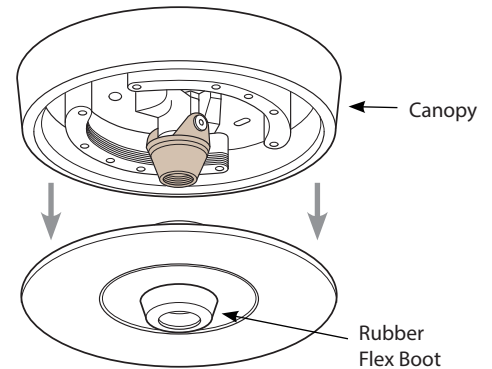


BE SURE TABS ARE POINTING UP

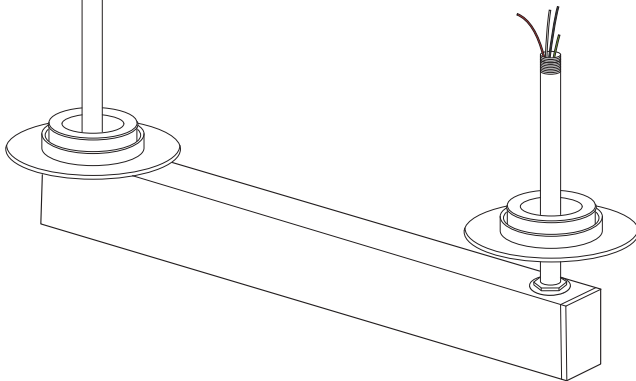
3) Assemble stem to fixture. If total stem is longer than 8' join stems together with coupler provided.



4) Remove canopy cover & rubber flex boot from canopy.

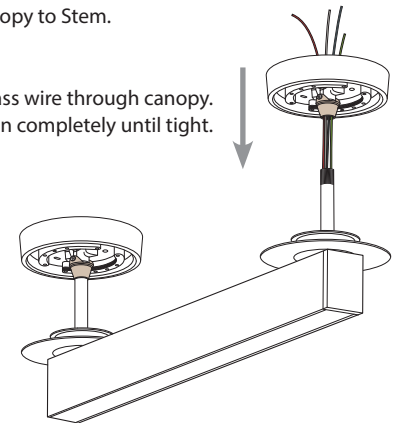


5) Place canopy cover and flex boot over stem and rest on top of fixture.



6) Attach canopy to Stem.

Pass wire through canopy.
Screw canopy on completely until tight.



WARNING: Ground fixture in accordance with local and national electrical codes. Failure to do so may result in serious personal injury. Fixture Installations should ONLY be done by a qualified licensed electrical professional.

BionicPro & BionicPro2 Mini | Linear

SSC & RSC Stem Mount

INSTALLATION INSTRUCTIONS

X3 (HARD CEILING)

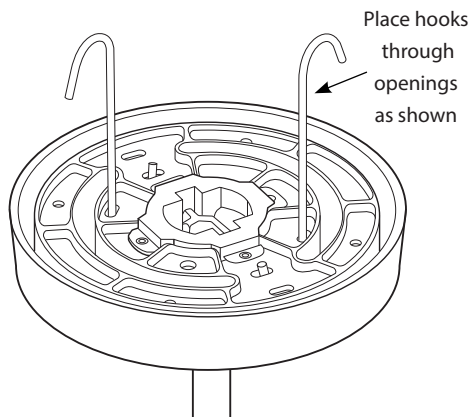


PRUDENTIAL LTG.

PRULITE.COM 213.746.0360

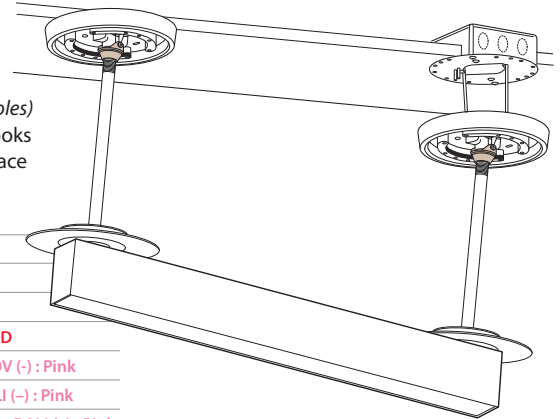
MAY REQUIRE TWO PEOPLE TO INSTALL

7) Insert installation hooks.



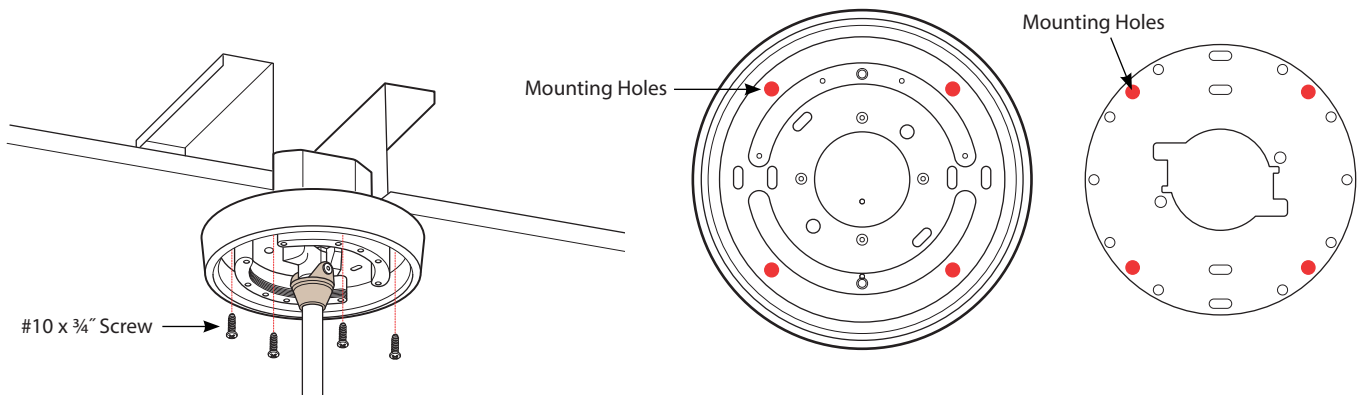
8) Hang fixture.

For non-powered canopy, fasten directly to structure (see step 9 for correct mounting holes)
For powered, use install assist hooks to temporarily hold canopy in place to wire fixture.

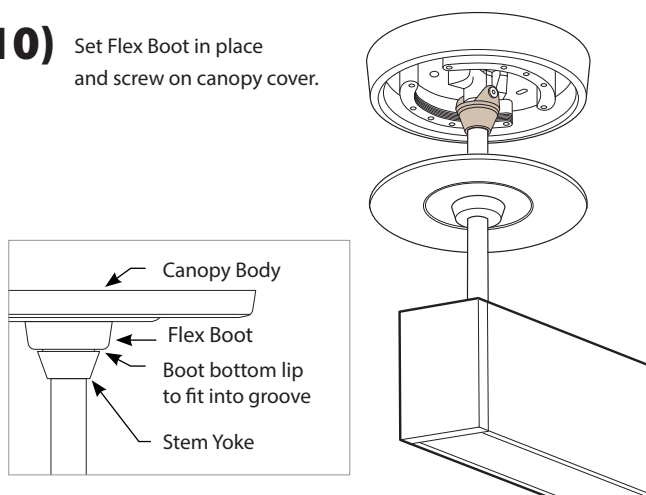


WIRING:	HOT : BLACK
	NEUTRAL : WHITE
	GROUND : GREEN
	CONSTANT HOT (EM) : RED
	0-10V (+) : Purple 0-10V (-) : Pink
	DALI (+) : Purple DALI (-) : Pink
	EcoSystem DALI (+) : Purple EcoSystem DALI (-) : Pink

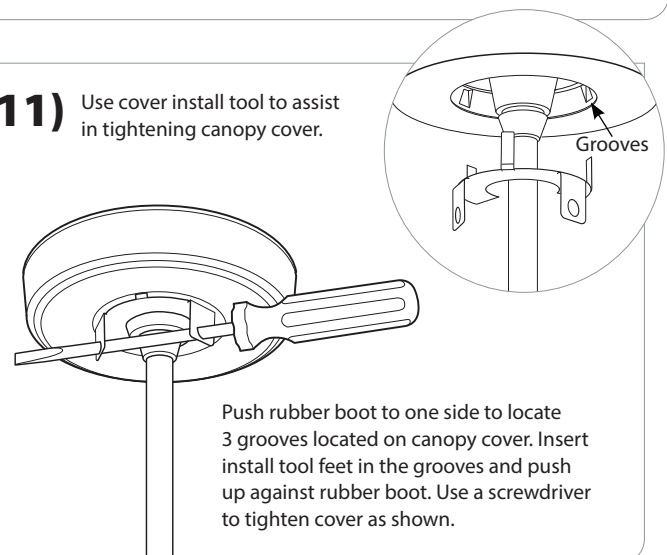
9) Remove hooks and attach fixture to ceiling.



10) Set Flex Boot in place and screw on canopy cover.



11) Use cover install tool to assist in tightening canopy cover.



Push rubber boot to one side to locate 3 grooves located on canopy cover. Insert install tool feet in the grooves and push up against rubber boot. Use a screwdriver to tighten cover as shown.

WARNING: Ground fixture in accordance with local and national electrical codes. Failure to do so may result in serious personal injury. Fixture Installations should ONLY be done by a qualified licensed electrical professional.

BionicPro & BionicPro2 Mini | Linear

SSC & RSC Stem Mount

INSTALLATION INSTRUCTIONS

X3 (HARD CEILING)



PRUDENTIAL LTG.

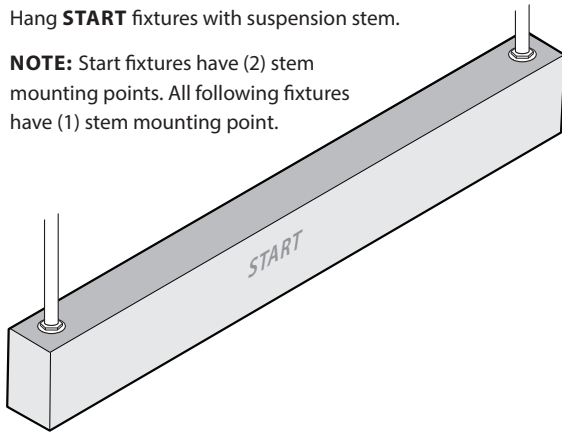
PRULITE.COM 213.746.0360

⚠ DO NOT BUILD ROWS ON FLOOR TO HOIST **👤👤 REQUIRES TWO PEOPLE TO INSTALL**

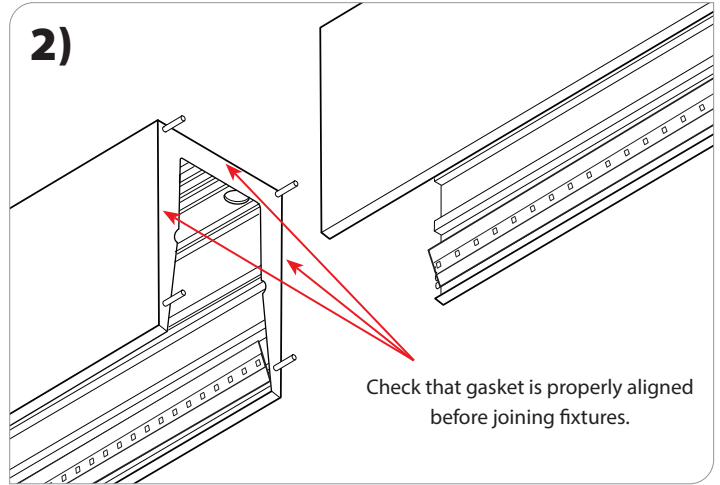
FOR ROW MOUNTING

1) Hang **START** fixtures with suspension stem.

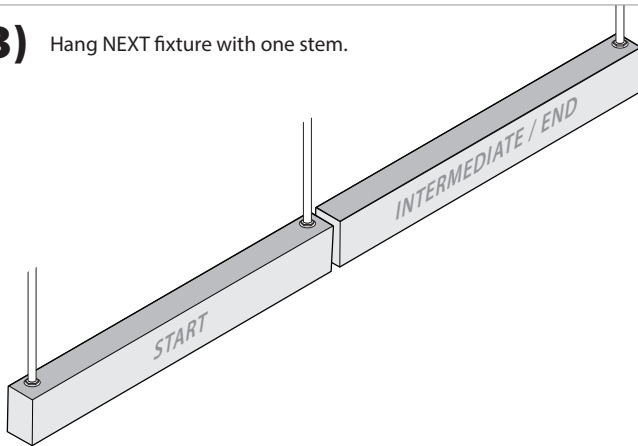
NOTE: Start fixtures have (2) stem mounting points. All following fixtures have (1) stem mounting point.



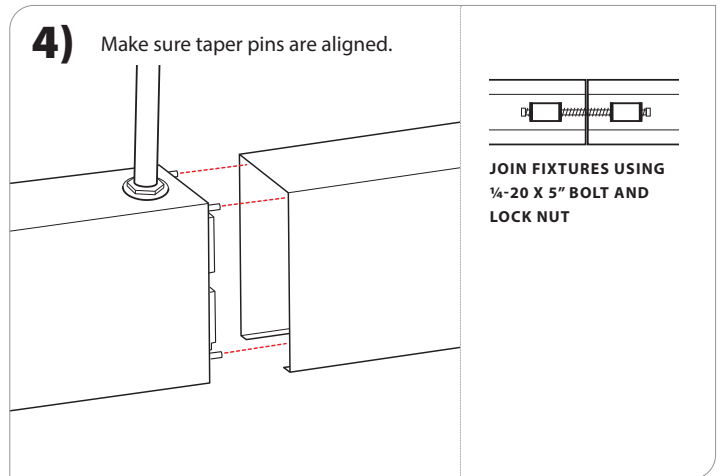
2)



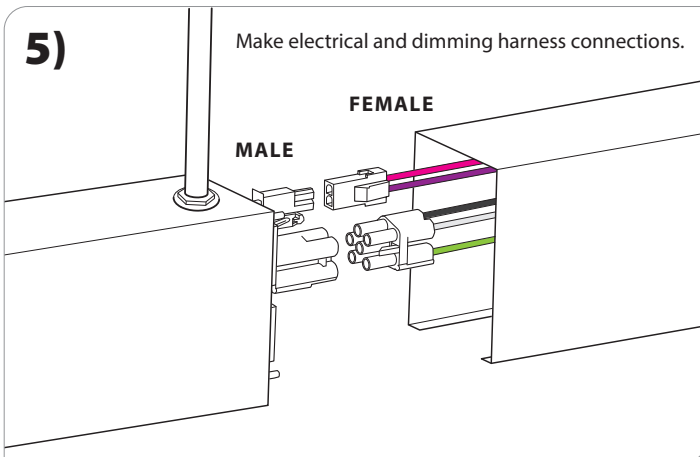
3) Hang **NEXT** fixture with one stem.



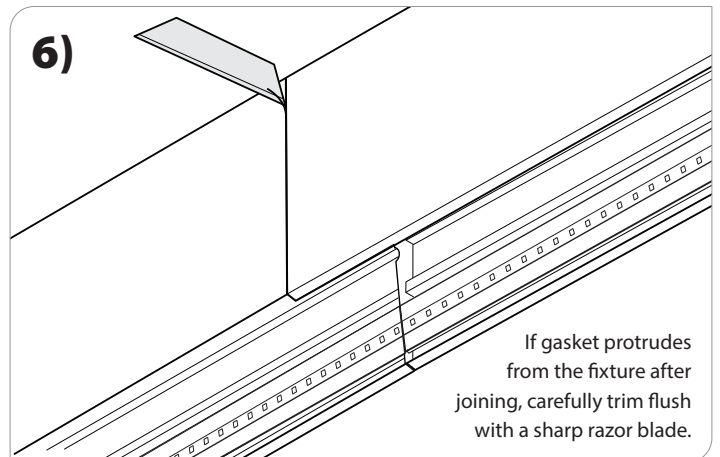
4) Make sure taper pins are aligned.



5) Make electrical and dimming harness connections.



6)



WARNING: Ground fixture in accordance with local and national electrical codes. Failure to do so may result in serious personal injury. Fixture Installations should ONLY be done by a qualified licensed electrical professional.

BionicPro & BionicPro2 Mini | Linear

SSC & RSC Stem Mount

INSTALLATION INSTRUCTIONS

X3 (HARD CEILING)

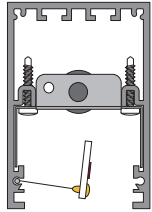


PRUDENTIAL LTG.

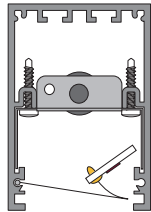
PRULITE.COM 213.746.0360

⚠ DO NOT BUILD ROWS ON FLOOR TO HOIST **👤👤 REQUIRES TWO PEOPLE TO INSTALL**

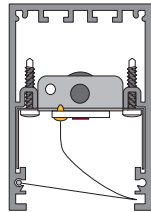
7) Using 6-32 x 1/4" screws, attach LED tray assembly to stiffener brackets. LED assembly should be relatively flush with end of extrusion/body when installed correctly.



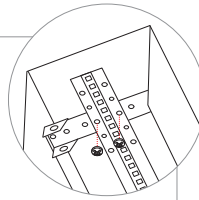
1. REMOVE LED ASSEMBLY



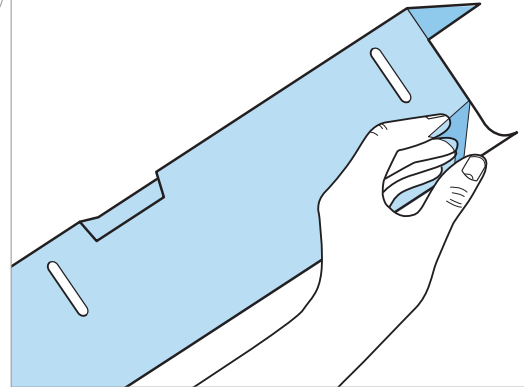
2. ROTATE LED ASSEMBLY



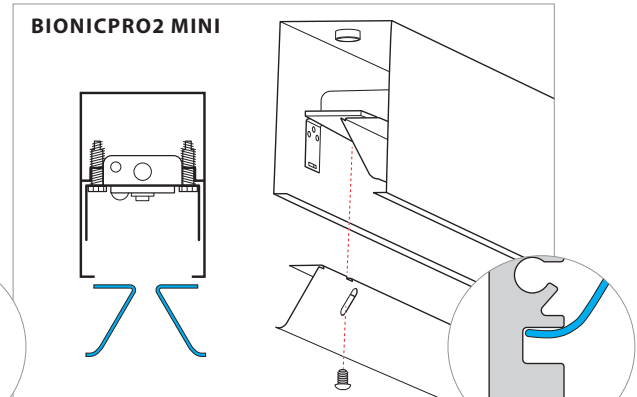
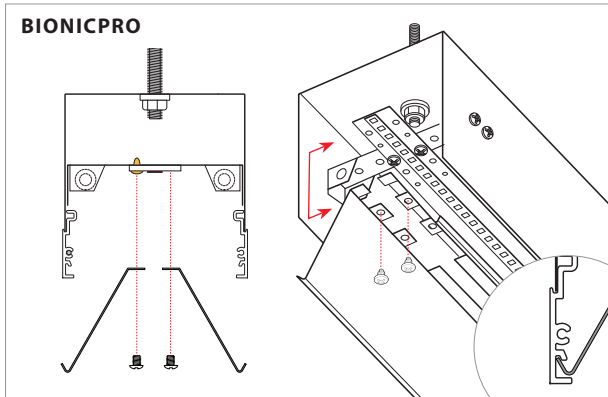
3. INSERT LED ASSEMBLY AGAINST STIFFENER



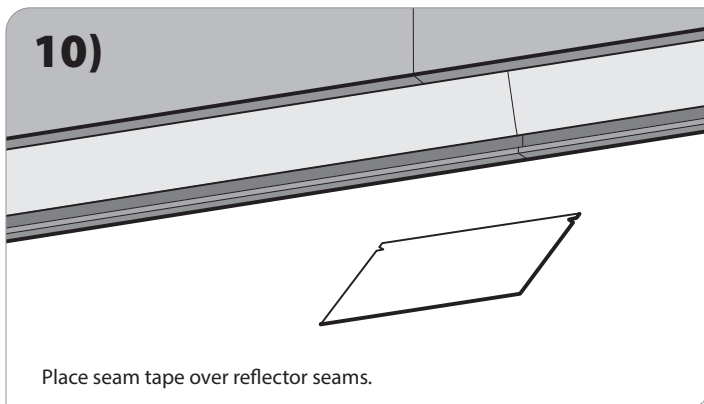
8) Peel blue protective covering off reflectors.



9) Install reflectors to fixture by attaching them to LED assembly using 6-32 x 1/4" screws. Reflectors should be flush with end of LED assembly. Tuck wiring behind first installed reflector before installing the second. Reflectors should be flush with end of LED assembly.

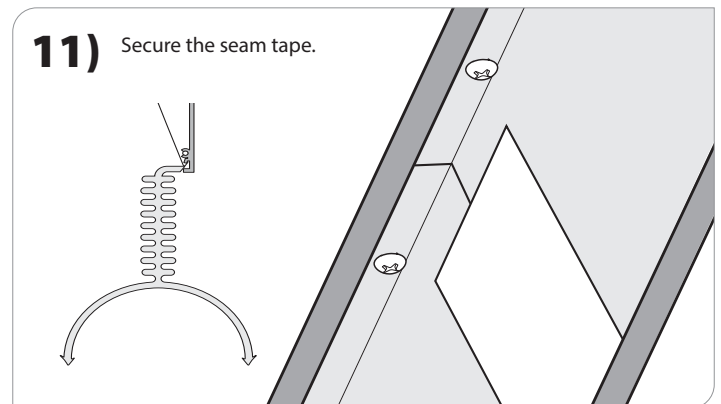


10)



Place seam tape over reflector seams.

11) Secure the seam tape.



WARNING: Ground fixture in accordance with local and national electrical codes. Failure to do so may result in serious personal injury. Fixture Installations should ONLY be done by a qualified licensed electrical professional.



LENS INSTALLATION

⚠️ ENERGIZE ROWS TO ENSURE ALL LEDS ARE WORKING BEFORE INSTALL **👤 LENS REQUIRES TWO PEOPLE TO INSTALL**

LENS ORIENTATION

SAL – Satin lens has both sides the same, reversible, no orientation

BTW – Batwing shiny side UP, matte frosted side DOWN.

MGZ/WWG/PFL – Wall Wash and Perimeter lenses, ribbed side UP (they can be seen and felt).

NOTE: WWG and PFL are the same with opposite orientation

Stickers indicate WALL and ROOM sides, but the lens also has engraving indicating each as shown.

RECOMMENDED: Start lens installation from LEFT to RIGHT.

START

INTERMEDIATE

END

LENS INSTALLATION — IF ALL FIXTURES ARE ALREADY INSTALLED

- 1)** Measure 18" from end cap. Using a pencil, place a small mark on the fixture.
- 2)** Make sure lens is square.
- 3)** Install tape strip **TIGHTLY** approximately 16" from start.
- 4)** Insert lens into lens tool, then place just before **TIGHT** tape strip.

WARNING: Ground fixture in accordance with local and national electrical codes. Failure to do so may result in serious personal injury. Fixture Installations should ONLY be done by a qualified licensed electrical professional.

BionicPro & BionicPro2 Mini | Linear Lens Installation

INSTALLATION INSTRUCTIONS

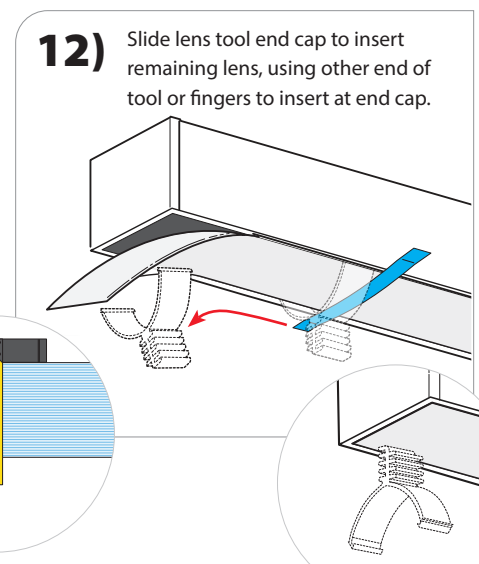
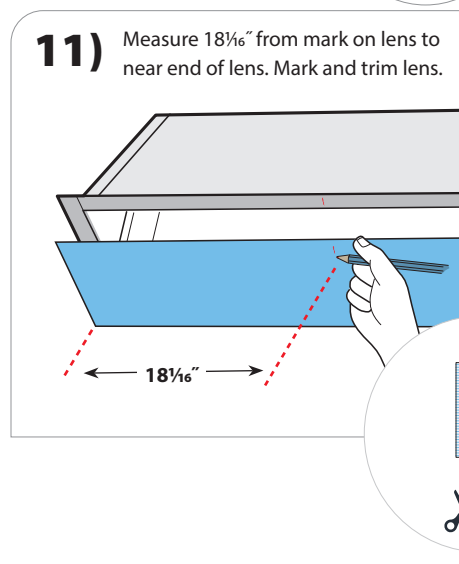
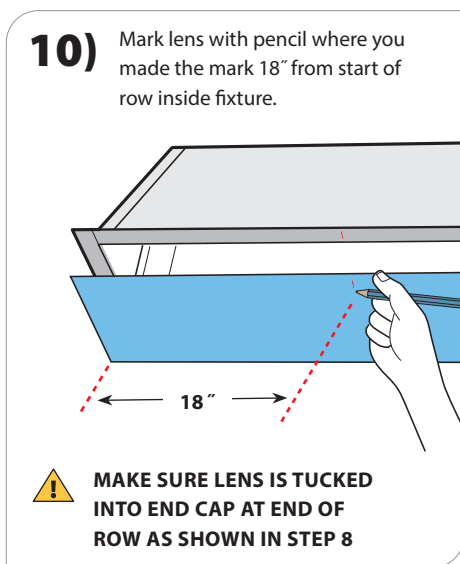
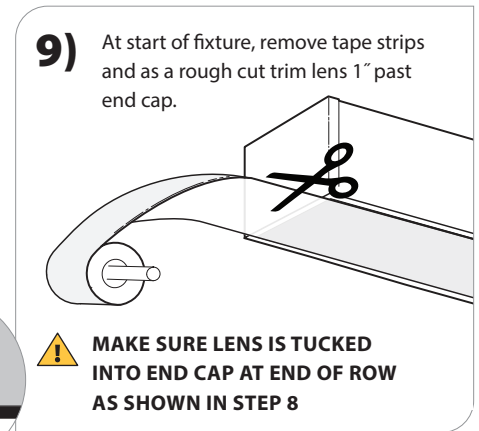
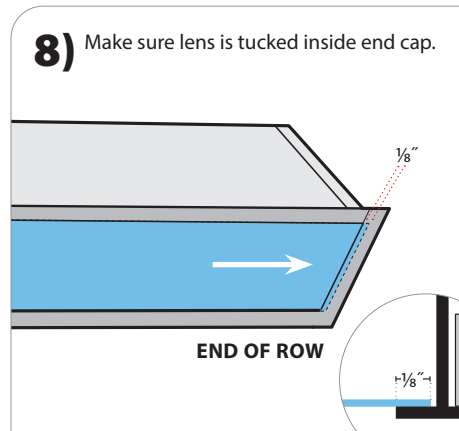
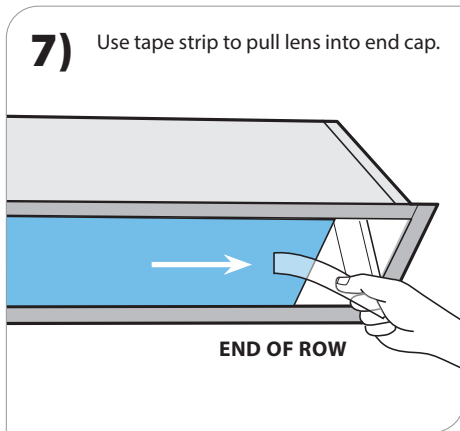
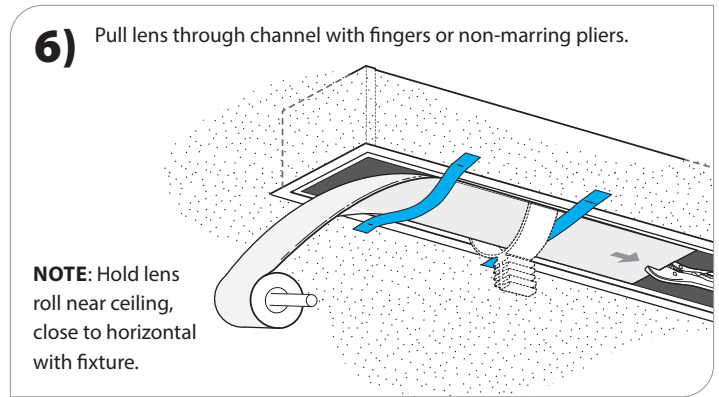
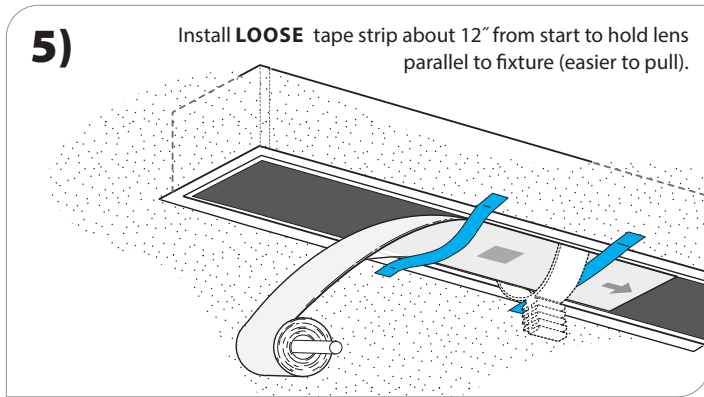


INSTALLATION
VIDEO



PRUDENTIAL LTG.

PRULITE.COM 213.746.0360

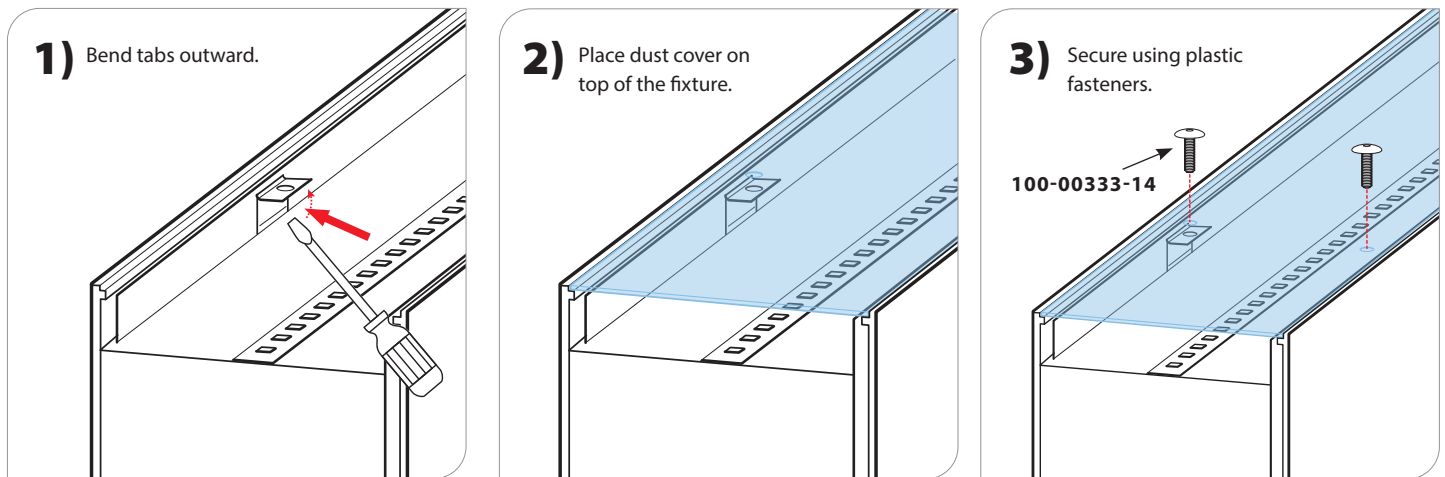


WARNING: Ground fixture in accordance with local and national electrical codes. Failure to do so may result in serious personal injury. Fixture Installations should ONLY be done by a qualified licensed electrical professional.

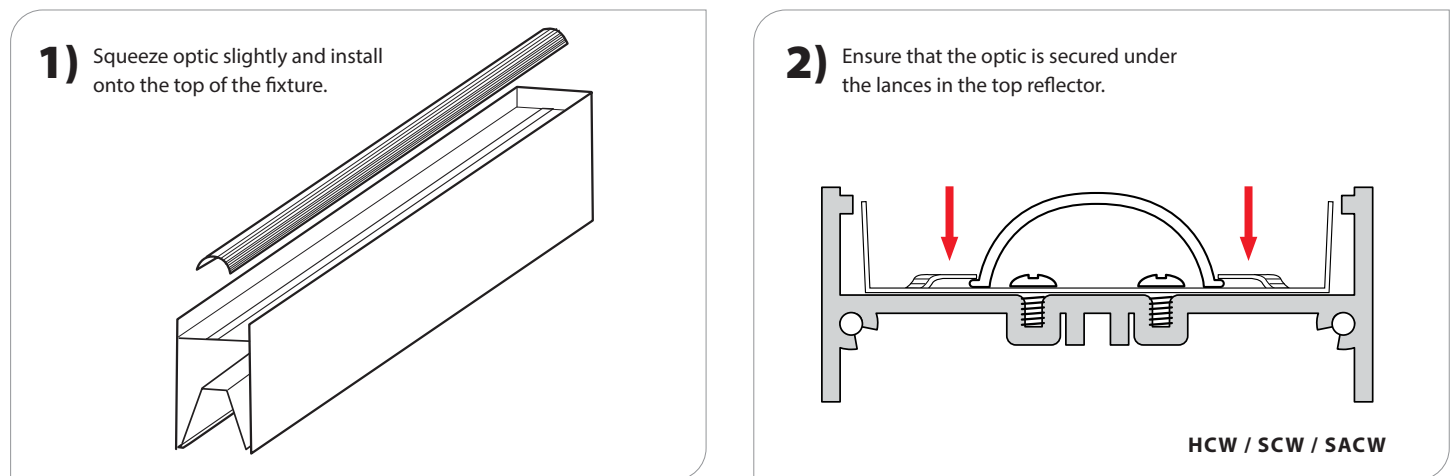


INSTALLATION INSTRUCTIONS

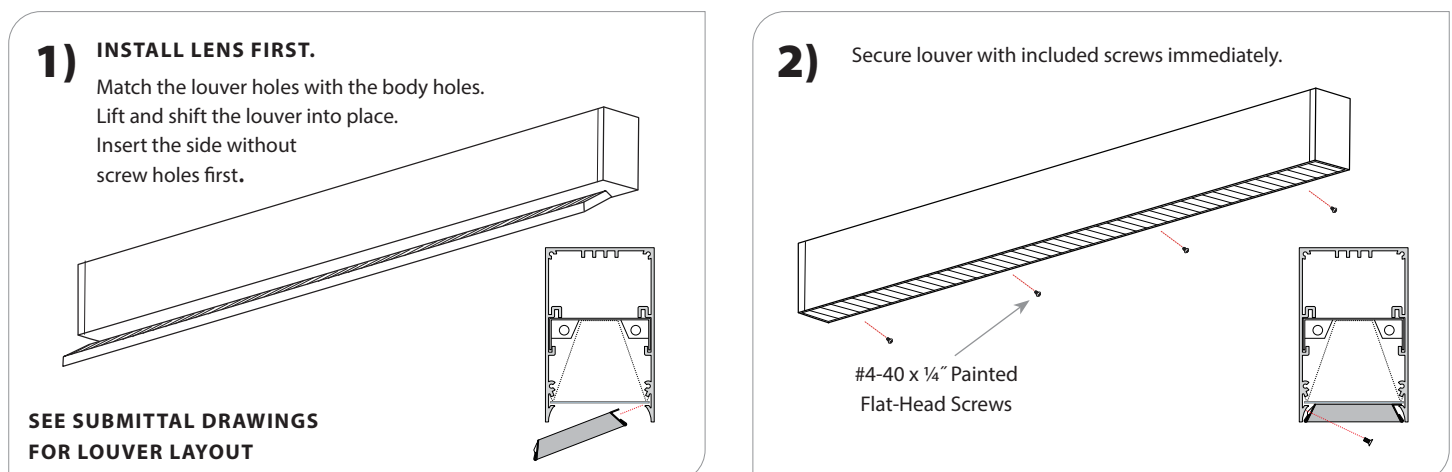
DUST COVER *CURRENTLY NOT AVAILABLE ON MINI*



INDIRECT OPTIC



LOUVERS



WARNING: Ground fixture in accordance with local and national electrical codes. Failure to do so may result in serious personal injury. Fixture Installations should ONLY be done by a qualified licensed electrical professional.

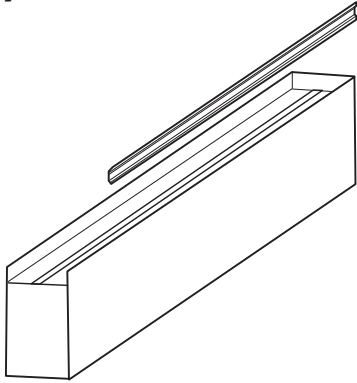


INSTALLATION INSTRUCTIONS

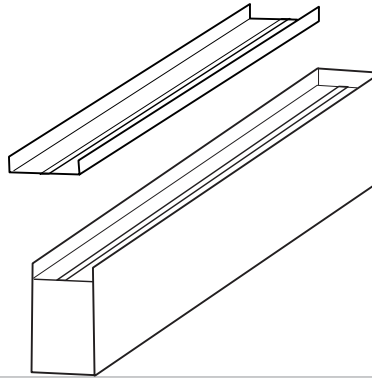
PRULITE.COM 213.746.0360

TOP GLOW — INDIRECT ONLY *CURRENTLY NOT AVAILABLE ON MINI*

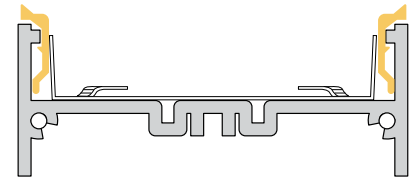
1) Install 1 of the top glow profiles.



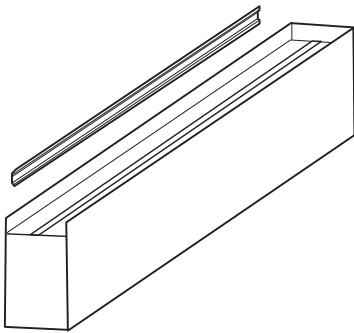
2) Place the top reflector and LED assembly onto the fixture.



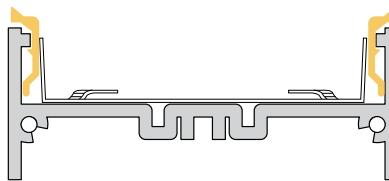
3) Slide the top reflector and LED assembly to the side to allow clearance for the other top glow profile.



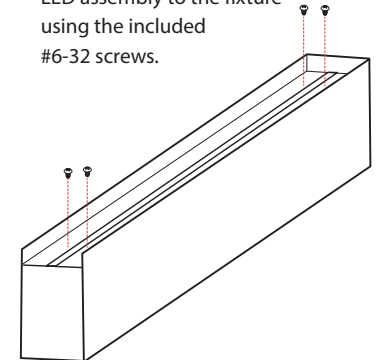
4) Install the other top glow profile.



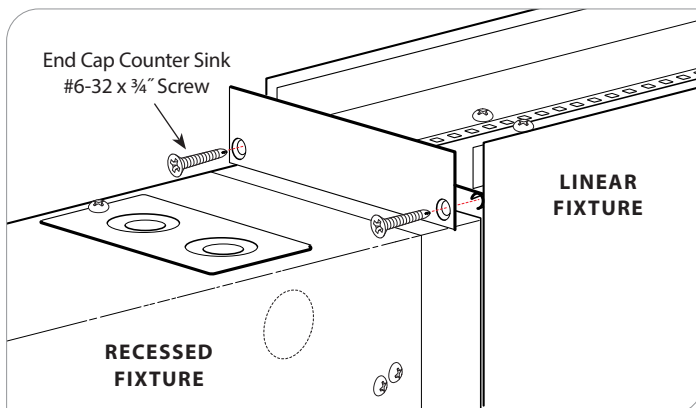
5) Center the top reflector and LED assembly to secure the top glow profiles.



6) Fasten the top reflector and LED assembly to the fixture using the included #6-32 screws.



LRT (LINEAR TO RECESSED) DETAIL



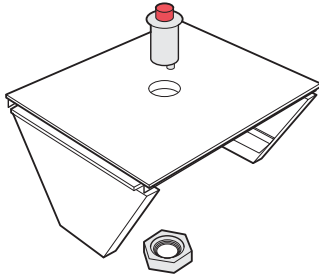
WARNING: Ground fixture in accordance with local and national electrical codes. Failure to do so may result in serious personal injury. Fixture Installations should ONLY be done by a qualified licensed electrical professional.



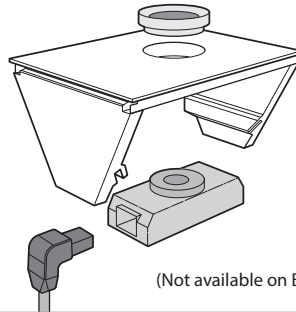
ACCESSORY PLATE & SENSOR INSTALLATION

SENSORS

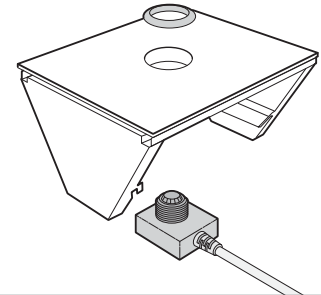
Iota Light/Switch



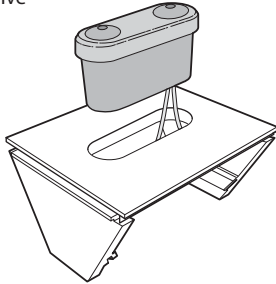
Acuity nLight



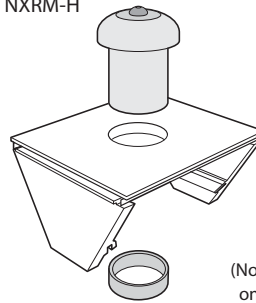
Wattstopper FS-205



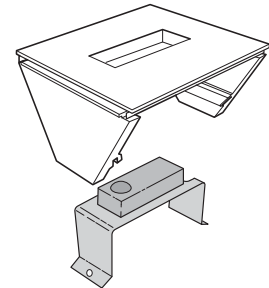
Lutron Vive



Hubbell NXRM-H



Hubbell NXSMP-SMI



WARNING: Ground fixture in accordance with local and national electrical codes. Failure to do so may result in serious personal injury. Fixture Installations should ONLY be done by a qualified licensed electrical professional.

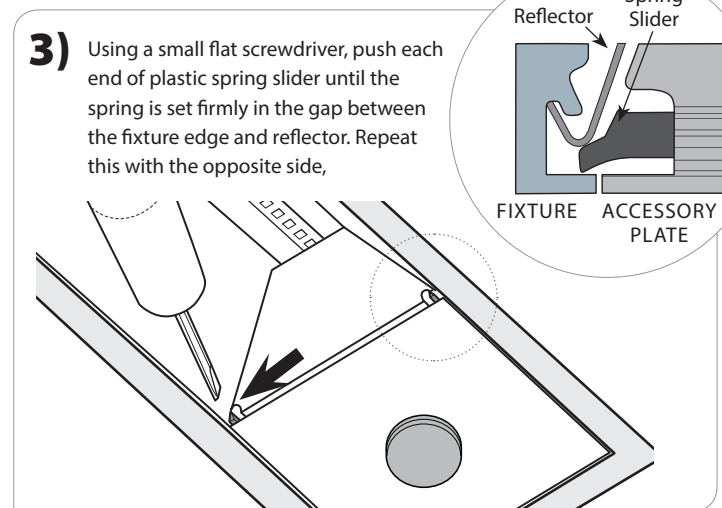
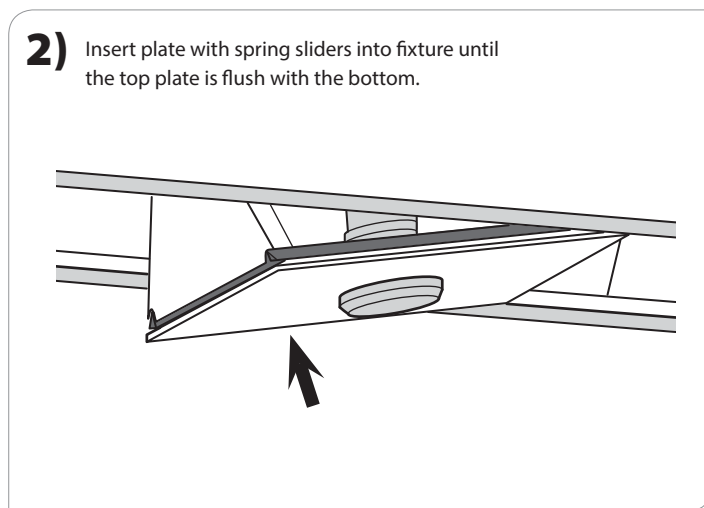
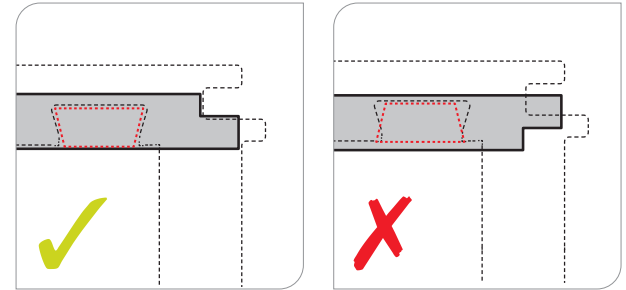
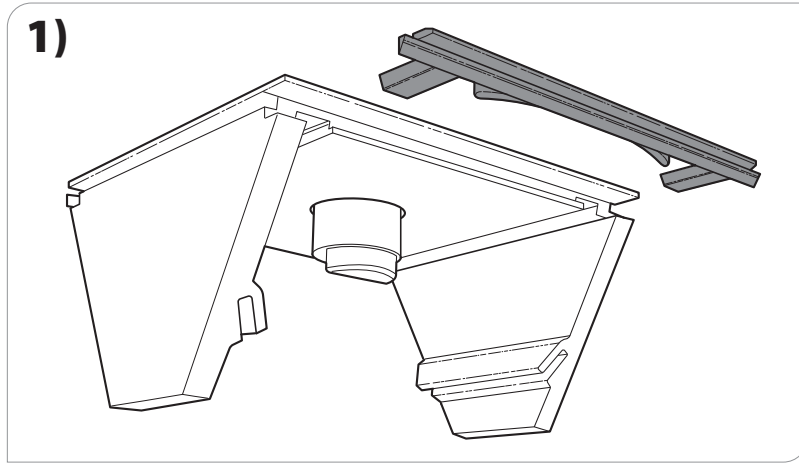


INSTALLATION INSTRUCTIONS

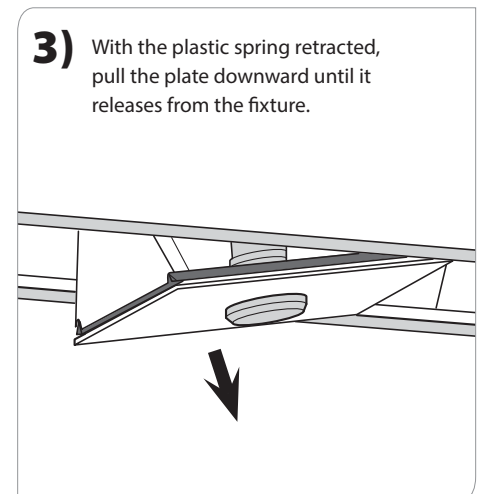
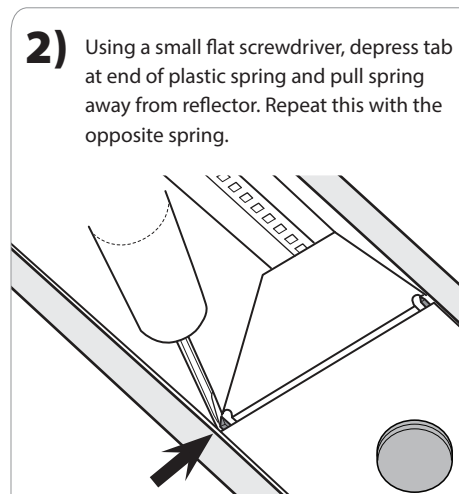
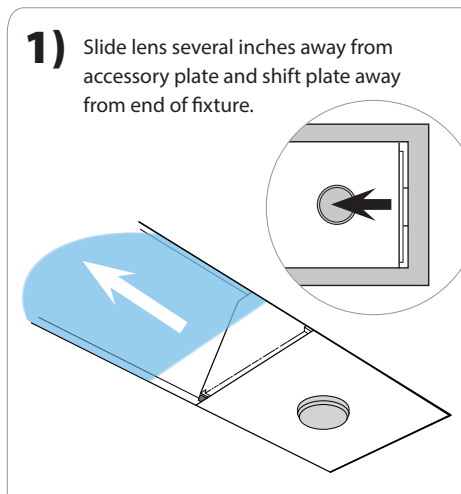
ACCESSORY PLATE ASSEMBLY

Insert slider spring tabs into dovetail slots in the bottom of plate

Spring tabs must be oriented to match dovetails in plate



ACCESSORY PLATE REMOVAL



WARNING: Ground fixture in accordance with local and national electrical codes. Failure to do so may result in serious personal injury. Fixture Installations should ONLY be done by a qualified licensed electrical professional.