

# BionicPro | Linear

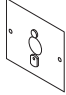


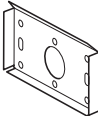

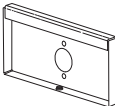
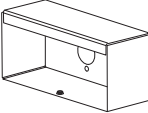


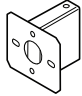
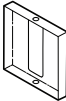



## Wall Mount

### INSTALLATION INSTRUCTIONS



PRUDENTIAL LTG.

PRULITE.COM 213.746.0360

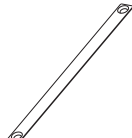
PART	PART NO.	DESCRIPTION
<b>WALL MOUNT FLUSH:</b>		
	122966	Flush Wall Mount Bracket
	100-00190-14	#8-32 Screw
	100-00310-14	#8-32 KEPS Nut
<b>WALL SPACER:</b>		
	100399	Support Bracket
	100-00118-14	#8-32 x 1/4" Set Screw
	100400	1/2" Wall Spacer (SHIPPED INSTALLED)
	132881	2" Wall Spacer (SHIPPED INSTALLED)
	100-00190-14	#8-32 Screw
	100-00310-14	#8-32 KEPS Nut
<b>WALL BRACKET:</b>		
	100417	Wall Bracket
	91625	Wall Bracket Canopy
	100-00107-14	1/4-20 x 1/2" Set Screw
	100-00237-14	#6-32 x 5/16" Cone Point Set Screw
<b>ENDPLATE REFLECTOR:</b>		
	2" — 100-00482-10	FOR NON-WHITE FIXTURES ONLY
	3" — 100-00483-10	
	4" — 100-00484-10	
	5" — 100-00485-10	

PART	PART NO.	DESCRIPTION
	100-00283-14	1/4-20 x 5.0 Round Head Combination Drive Machine Screw
	100-00255-14	1/4-20 KEPS Hex Nut
	100-00486-10	BionicPro Seam Reflector
<b>OPTICS &amp; LOUVERS:</b>		
	100-00472-10	Soft Asymmetric Ceiling Wash
	100-00471-10	Soft Ceiling Wash
	100-00186-10	Plastic Lens Holder
	100-00321-02	Reflector
	100-00479-10	Top Glow Lens
	100-01002-18	<b>CLEAR</b> Acrylic Dust Cover
	100-00885-18	<b>FROSTED</b> Acrylic Dust Cover
	100-00333-14	Plastic Push-In Fasteners
	100-00374-07	2" — Louver
	100-00375-07	3" — Louver
	100-00376-10	4" — Louver
	100-00377-07	5" — Louver
	100-00353-14	#4-40 x 1/4" Flat Head Screw (Painted)
	100-00462-10	2" — BionicPro Lens Tool — White
	100-00464-10	3" — BionicPro Lens Tool — Natural
	100-00465-10	4" — BionicPro Lens Tool — Black
	100-00463-10	5" — BionicPro Lens Tool — White
	100-00040-20	Tape Strips




**WARNING:** Ground fixture in accordance with local and national electrical codes. Failure to do so may result in serious personal injury. Fixture installations should ONLY be done by a qualified licensed electrical professional.



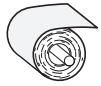
#### LRT (LINEAR TO RECESSED TRANSITION PLATES):

	Direct to REC/PER	Direct/Indirect to REC/PER
 2" —	135770	135774
3" —	135771	135775
4" —	135772	135776
5" —	135773	135777

#### FTR (FEATHERING DIFFUSER):

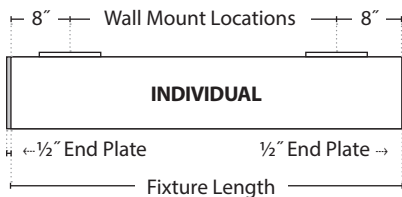
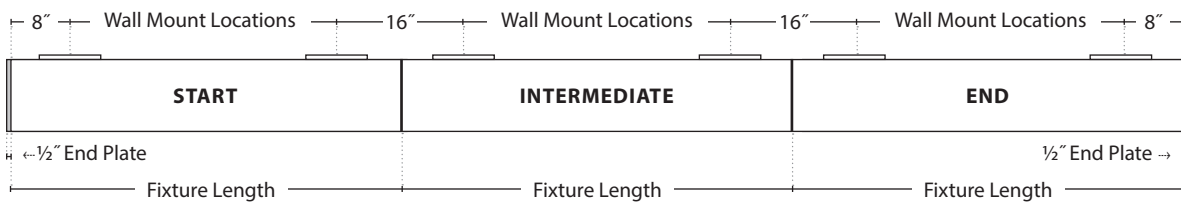
	100-00843-10	Diffuser
	100-00374-14	Nylon Spacer Washer
	100-00182-14	6-32 x 1/2" Screw

#### LENSES:



	SAL	BTW	WWF	PFL/WWG	NGZ	MGZ	WGZ
2" —	100-00966-18	100-00961-18	100-00973-18	100-00978-18	100-00983-18	100-01004-18	100-00988-18
3" —	100-00967-18	100-00962-18	100-00974-18	100-00979-18	100-00984-18	100-01005-18	100-00989-18
4" —	100-00968-18	100-00963-18	100-00975-18	100-00980-18	100-00985-18	100-01006-08	100-00990-18
5" —	100-00969-18	100-00964-18	100-00976-18	100-00981-18	100-00986-18	100-01007-18	100-00991-18

#### WALL MOUNT



	FIXTURE LENGTHs	WALL MOUNT locations
2'	24"	8"
3'	36"	20"
4'	48"	32"
5'	60"	44"
6'	72"	56"
7'	84"	68"
8'	96"	80"

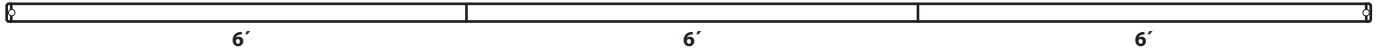
**WARNING:** Ground fixture in accordance with local and national electrical codes. Failure to do so may result in serious personal injury. Fixture installations should ONLY be done by a qualified licensed electrical professional.



#### 18' STANDARD ROW LENGTH:



#### 18' SYMMETRIC ROW LENGTH (SRL):



#### STANDARD

ROW LENGTH		
9'	5+4	5FT STR + 4FT END
10'	6+4	6FT STR + 4FT END
11'	7+4	7FT STR + 4FT END
12'	8+4	8FT STR + 4FT END
13'	8+5	8FT STR + 5FT END
14'	8+6	8FT STR + 6FT END
15'	8+7	8FT STR + 7FT END
16'	8+8	8FT STR + 8FT END
17'	8+5+4	8FT STR + 5FT INT + 4FT END
18'	8+6+4	8FT STR + 6FT INT + 4FT END
19'	8+7+4	8FT STR + 7FT INT + 4FT END
20'	8+8+4	8FT STR + 8FT INT + 4FT END
21'	8+8+5	8FT STR + 8FT INT + 5FT END
22'	8+8+6	8FT STR + 8FT INT + 6FT END
23'	8+8+7	8FT STR + 8FT INT + 7FT END
24'	8+8+8	8FT STR + 8FT INT + 8FT END
25'	8+8+5+4	8FT STR + 8FT INT + 5FT INT + 4FT END
26'	8+8+6+4	8FT STR + 8FT INT + 6FT INT + 4FT END
27'	8+8+7+4	8FT STR + 8FT INT + 7FT INT + 4FT END
28'	8+8+8+4	8FT STR + (2) 8FT INT + 4FT END
29'	8+8+8+5	8FT STR + (2) 8FT INT + 5FT END
30'	8+8+8+6	8FT STR + (2) 8FT INT + 6FT END
31'	8+8+8+7	8FT STR + (2) 8FT INT + 7FT END
32'	8+8+8+8	8FT STR + (2) 8FT INT + 8FT END
33'	8+8+8+5+4	8FT STR + (2) 8FT INT + 5FT INT + 4FT END
34'	8+8+8+6+4	8FT STR + (2) 8FT INT + 6FT INT + 4FT END
35'	8+8+8+7+4	8FT STR + (2) 8FT INT + 7FT INT + 4FT END
36'	8+8+8+8+4	8FT STR + (3) 8FT INT + 4FT END
37'	8+8+8+8+5	8FT STR + (3) 8FT INT + 5FT END
38'	8+8+8+8+6	8FT STR + (3) 8FT INT + 6FT END
39'	8+8+8+8+7	8FT STR + (3) 8FT INT + 7FT END
40'	8+8+8+8+8	8FT STR + (3) 8FT INT + 8FT END
41'	8+8+8+8+5+4	8FT STR + (3) 8FT INT + 5FT INT + 4FT END
42'	8+8+8+8+6+4	8FT STR + (3) 8FT INT + 6FT INT + 4FT END
43'	8+8+8+8+7+4	8FT STR + (3) 8FT INT + 7FT INT + 4FT END
44'	8+8+8+8+8+4	8FT STR + (4) 8FT INT + 4FT END
45'	8+8+8+8+8+5	8FT STR + (4) 8FT INT + 5FT END
46'	8+8+8+8+8+6	8FT STR + (4) 8FT INT + 6FT END
47'	8+8+8+8+8+7	8FT STR + (4) 8FT INT + 7FT END
48'	8+8+8+8+8+8	8FT STR + (4) 8FT INT + 8FT END
49'	8+8+8+8+8+5+4	8FT STR + (4) 8FT INT + 5FT INT + 4FT END
50'	8+8+8+8+8+6+4	8FT STR + (4) 8FT INT + 6FT INT + 4FT END

#### SYMMETRICAL

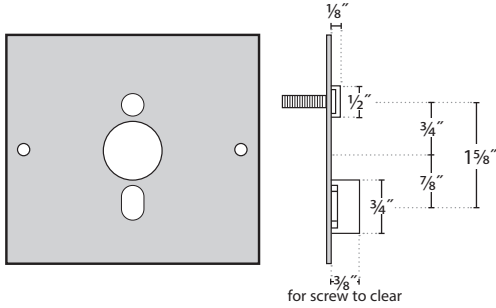
ROW LENGTH		
9'	3+3+3	3FT STR + 3FT INT + 3FT END
10'	5+5	5FT STR + 5FT END
11'	4+3+4	4FT STR + 3FT INT + 4FT END
12'	6+6	6FT STR + 6FT END
13'	4+5+4	4FT STR + 5FT INT + 4FT END
14'	7+7	7FT STR + 7FT END
15'	5+5+5	5FT STR + 5FT INT + 5FT END
16'	8+8	8FT STR + 8FT END
17'	6+5+6	6FT STR + 5FT INT + 6FT END
18'	6+6+6	6FT STR + 6FT INT + 6FT END
19'	6+7+6	6FT STR + 7FT INT + 6FT END
20'	8+4+8	8FT STR + 4FT INT + 8FT END
21'	8+5+8	8FT STR + 5FT INT + 8FT END
22'	8+6+8	8FT STR + 6FT INT + 8FT END
23'	8+7+8	8FT STR + 7FT INT + 8FT END
24'	8+8+8	8FT STR + 8FT INT + 8FT END
25'	6+4+5+4+6	6FT STR + 4FT INT + 5FT INT + 4FT INT + 6FT END
26'	8+5+5+8	8FT STR + (2) 5FT INT + 8FT END
27'	6+5+5+5+6	6FT STR + (3) 5FT INT + 6FT END
28'	8+6+6+8	8FT STR + (2) 6FT INT + 8FT END
29'	8+4+5+4+8	8FT STR + 4FT INT + 5FT INT + 4FT INT + 8FT END
30'	8+7+7+8	8FT STR + (2) 7FT INT + 8FT END
31'	8+5+5+5+8	8FT STR + (3) 5FT INT + 8FT END
32'	8+8+8+8	8FT STR + (2) 8FT INT + 8FT END
33'	8+6+5+6+8	8FT STR + 6FT INT + 5FT INT + 6FT INT + 8FT END
34'	8+6+6+6+8	8FT STR + 6FT INT + 6FT INT + 6FT INT + 8FT END
35'	8+6+7+6+8	8FT STR + 6FT INT + 7FT INT + 6FT INT + 8FT END
36'	8+8+4+8+8	8FT STR + 8FT INT + 4FT INT + 8FT INT + 8FT END
37'	8+8+5+8+8	8FT STR + 8FT INT + 5FT INT + 8FT INT + 8FT END
38'	8+8+6+8+8	8FT STR + 8FT INT + 6FT INT + 8FT INT + 8FT END
39'	8+8+7+8+8	8FT STR + 8FT INT + 7FT INT + 8FT INT + 8FT END
40'	8+8+8+8+8	8FT STR + (3) 8FT INT + 8FT END
41'	8+6+4+5+4+6+8	8FT STR + 6FT INT + 4FT INT + 5FT INT + 4FT INT + 6FT INT + 8FT END
42'	8+8+5+5+8+8	8FT STR + 8FT INT + (2) 5FT INT + 8FT INT + 8FT END
43'	8+6+5+5+5+6+8	8FT STR + 6FT INT + (3) 5FT INT + 6FT INT + 8FT END
44'	8+8+6+6+8+8	8FT STR + 8FT INT + (2) 6FT INT + 8FT INT + 8FT END
45'	8+8+4+5+4+8+8	8FT STR + 8FT INT + 4FT INT + 5FT INT + 4FT INT + 8FT INT + 8FT END
46'	8+8+7+7+8+8	8FT STR + 8FT INT + (2) 7FT INT + 8FT INT + 8FT END
47'	8+8+5+5+5+8+8	8FT STR + 8FT INT + (3) 5FT INT + 8FT INT + 8FT END
48'	8+8+8+8+8+8	8FT STR + (4) 8FT INT + 8FT END
49'	8+8+6+5+6+8+8	8FT STR + 8FT INT + 6FT INT + 5FT INT + 6FT INT + 8FT INT + 8FT END
50'	8+8+6+6+6+8+8	8FT STR + 8FT INT + (3) 6FT INT + 8FT INT + 8FT END



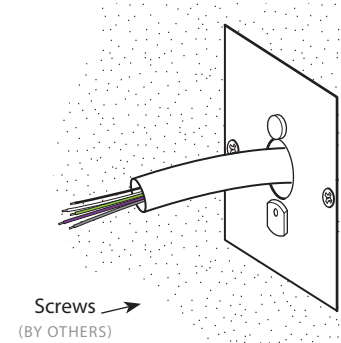
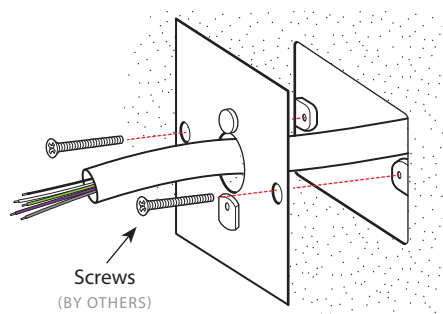


## WALL MOUNT — FLUSH TO WALL

- 1)** Mount bracket to J Box (and blocking) or structure. Pull the power leads from the junction box into the fixture.

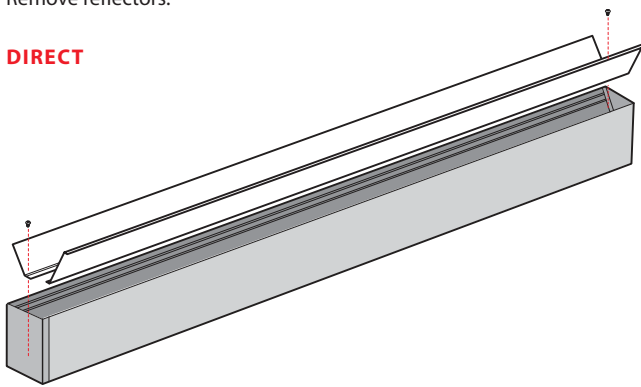


**PLATE MUST SIT FLUSH AGAINST THE WALL**  
Requires 1/2" x 1/8" and 3/4" x 3/8" holes drilled

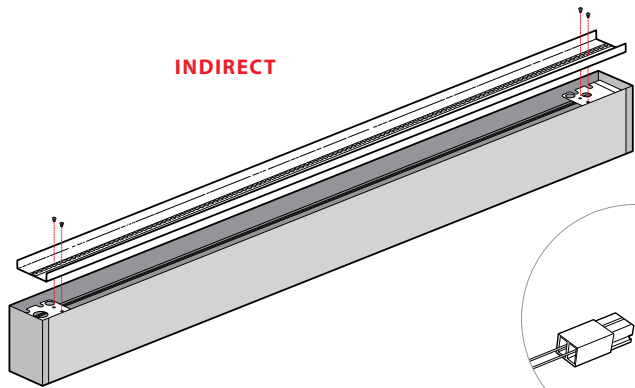


- 2)** Remove reflectors.

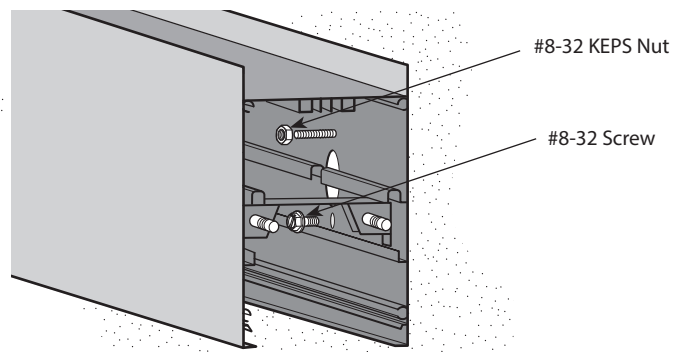
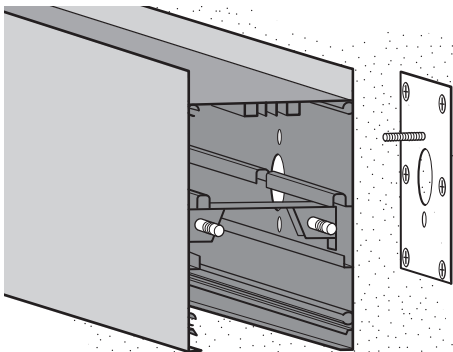
**DIRECT**



**INDIRECT**



- 3)** Install and secure fixture to wall.



**WARNING:** Ground fixture in accordance with local and national electrical codes. Failure to do so may result in serious personal injury. Fixture Installations should ONLY be done by a qualified licensed electrical professional.



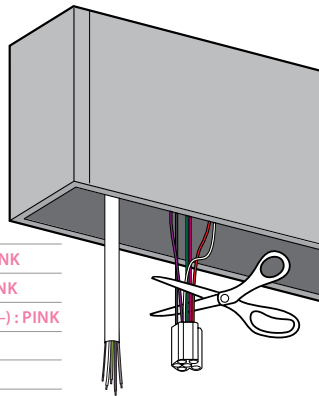
## WALL MOUNT — FLUSH TO WALL

**4)** Cut and strip connector. Make all wiring connections (see table).

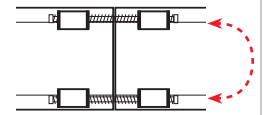
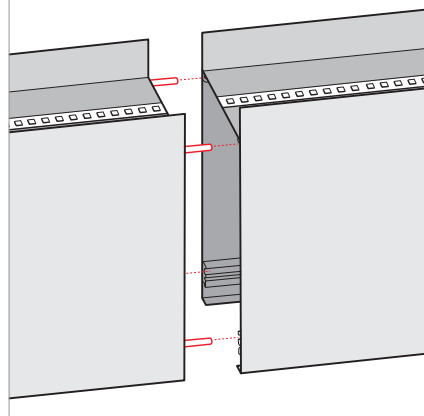
**NOTE:** for rows to cut off harness lead, individuals are just bare wires

**WIRING:**

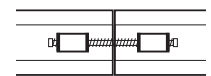
0-10V (+) : PURPLE	0-10V (-) : PINK
DALI (+) : PURPLE	DALI (-) : PINK
EcoSystem DALI (+) : PURPLE	EcoSystem DALI (-) : PINK
HOT : BLACK	
NEUTRAL : WHITE	
GROUND : GREEN	
CONSTANT HOT (EM) : RED	



**5)** Install Intermediate and End fixtures, secure together with bolts.

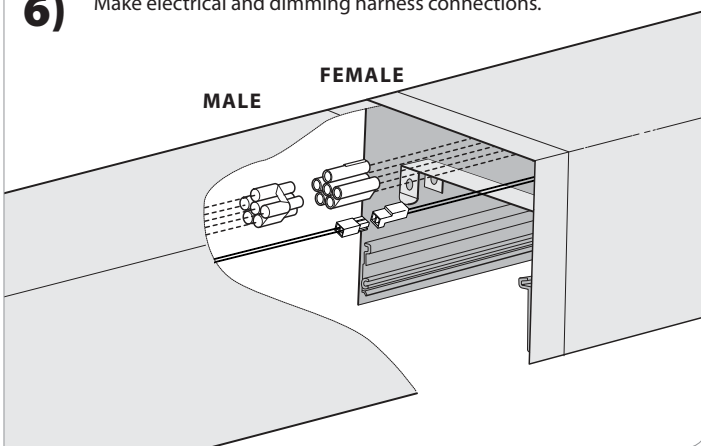


Install Bolt & Nut to both sides until snug

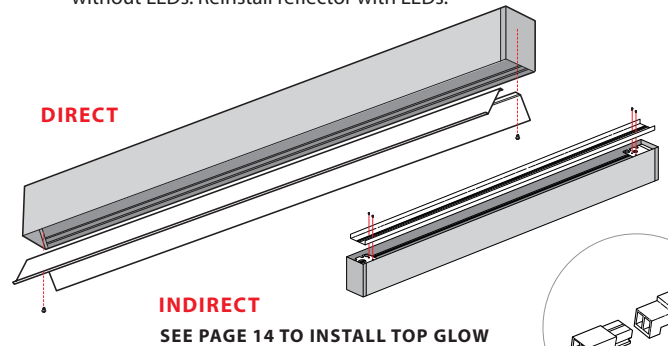


**BPRO2: 1x BOLT**

**6)** Make electrical and dimming harness connections.

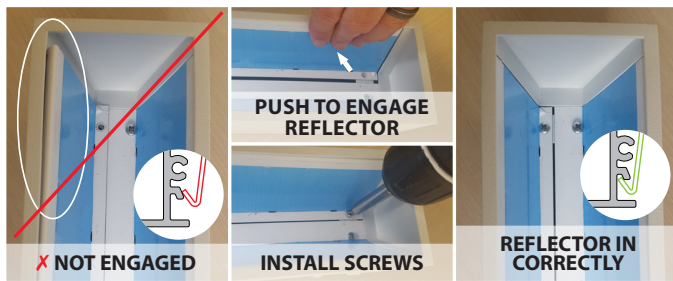


**7)** Reinstall the reflector without LEDs. Make electrical connections to LEDs (See inset). Tuck all loose wires behind reflector without LEDs. Reinstall reflector with LEDs.

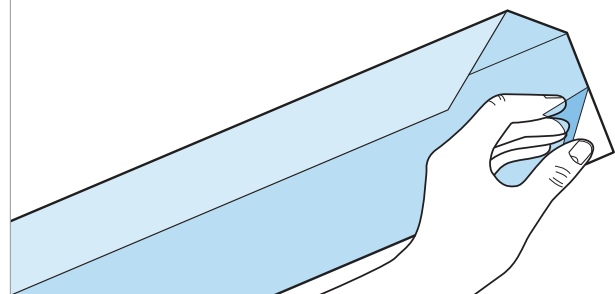


**INDIRECT**  
SEE PAGE 14 TO INSTALL TOP GLOW

**8)** Snap reflectors into place.



**9)** Peel blue protective covering off reflectors.



**WARNING:** Ground fixture in accordance with local and national electrical codes. Failure to do so may result in serious personal injury. Fixture Installations should ONLY be done by a qualified licensed electrical professional.



**WALL MOUNT — FLUSH TO WALL**

**10a)** Tear seam reflector at perforation.  
Peel film to reveal adhesive.

Peel back

Tear seam

**10b)** Insert seam reflector under brake.

ADHESIVE SIDE

REFLECTIVE SIDE

**10c)** Secure the seam reflector.

10

10

**11)**

**FOLD END REFLECTORS AT PERFORATIONS**

Align folded reflector with end cap interior.

Install end reflector so it covers the seam between the end cap and reflector

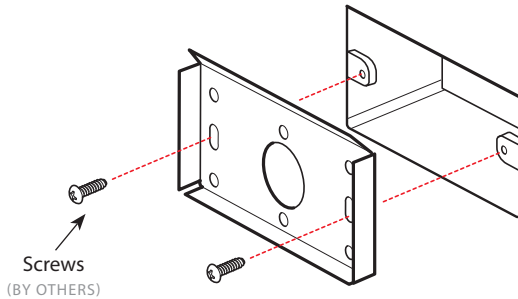
**12)** Install Lens (see page 12).

**WARNING:** Ground fixture in accordance with local and national electrical codes. Failure to do so may result in serious personal injury. Fixture Installations should ONLY be done by a qualified licensed electrical professional.

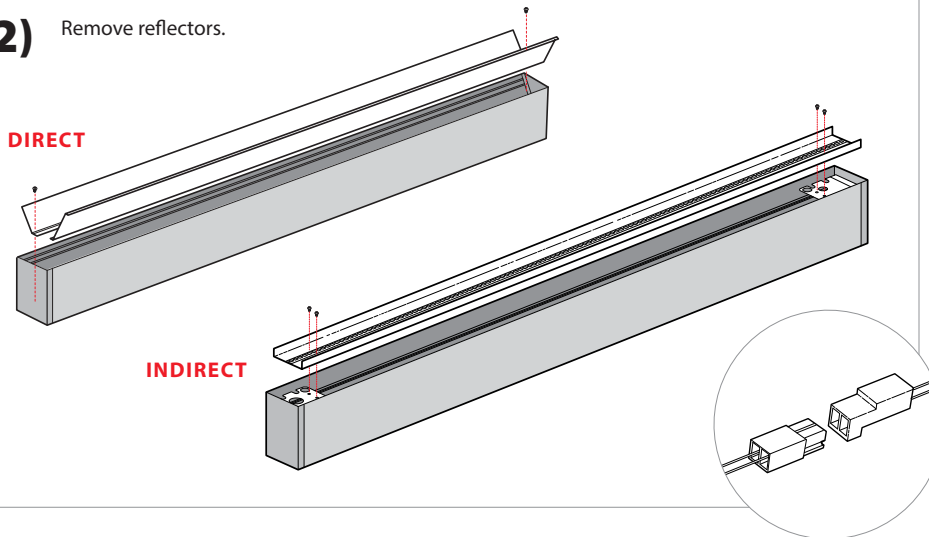


## WALL SPACER

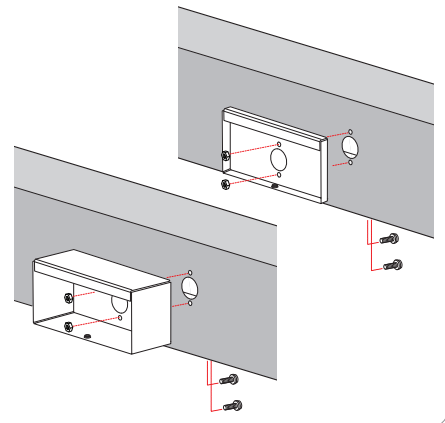
**1)** Mount bracket to J Box (and blocking) or structure



**2)** Remove reflectors.



**3)** If not already installed, install the spacer onto the body.

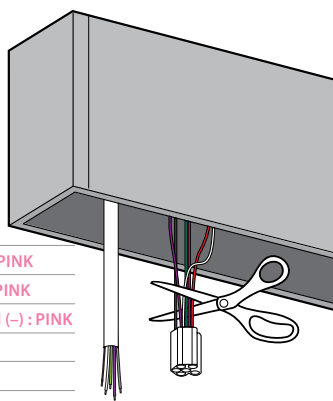


**4)** Cut and strip connector. Make all wiring connections (see table).

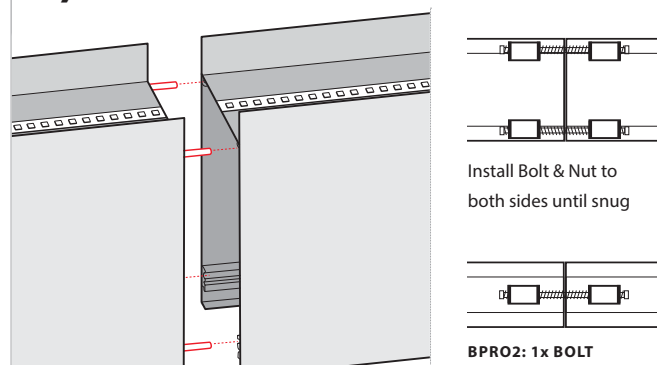
**NOTE:** for rows to cut off harness lead, individuals are just bare wires

#### WIRING:

0-10V (+) : PURPLE	0-10V (-) : PINK
DALI (+) : PURPLE	DALI (-) : PINK
EcoSystem DALI (+) : PURPLE	EcoSystem DALI (-) : PINK
HOT : BLACK	
NEUTRAL : WHITE	
GROUND : GREEN	
CONSTANT HOT (EM) : RED	



**5)** Install Intermediate and End fixtures, secure together with bolts.

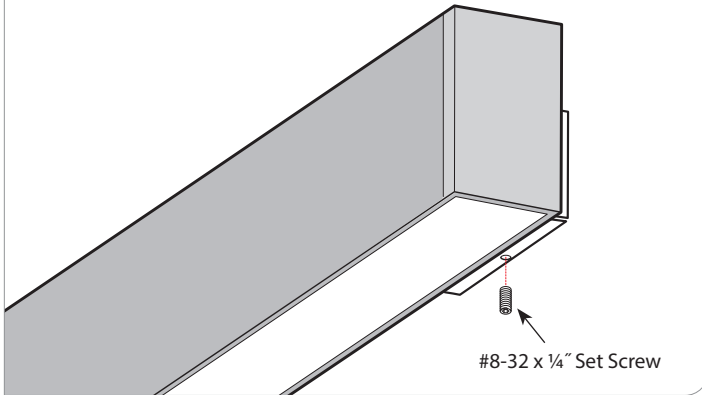


**WARNING:** Ground fixture in accordance with local and national electrical codes. Failure to do so may result in serious personal injury. Fixture Installations should ONLY be done by a qualified licensed electrical professional.

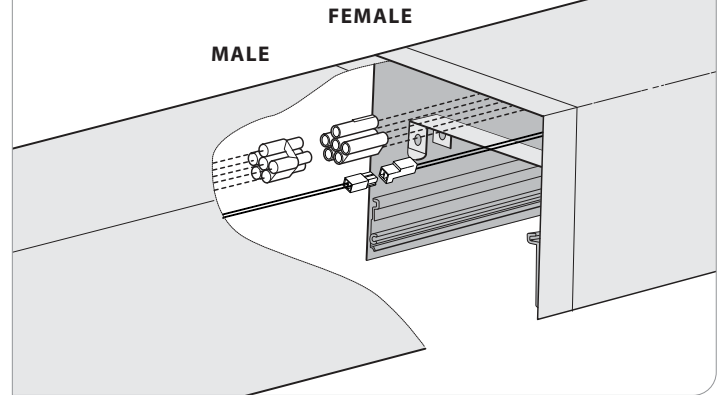


## WALL SPACER

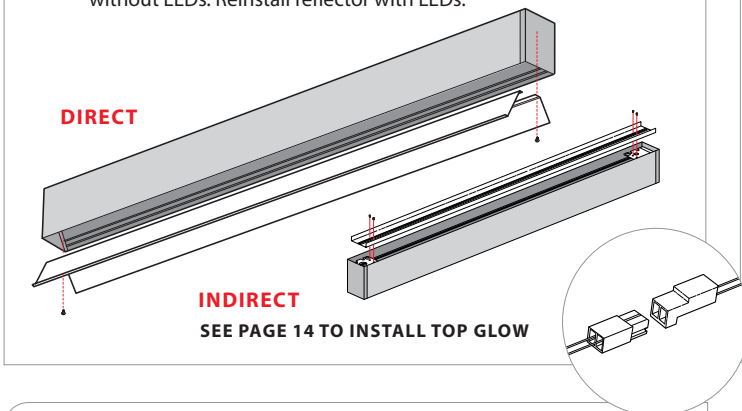
**6)** Secure all fixtures to brackets with included set screws.



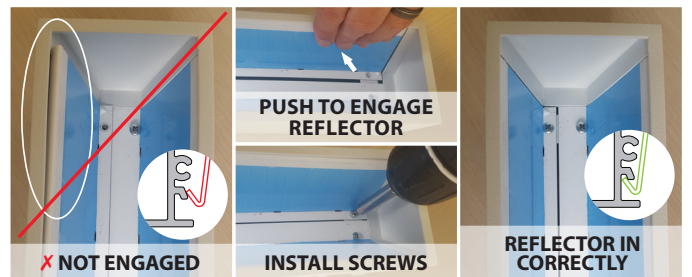
**7)** Make electrical and dimming harness connections.



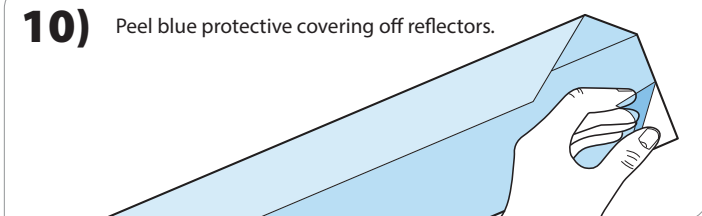
**8)** Reinstall the reflector without LEDs. Make electrical connections to LEDs (See inset). Tuck all loose wires behind reflector without LEDs. Reinstall reflector with LEDs.



**9)** Snap reflectors into place.



**10)** Peel blue protective covering off reflectors.

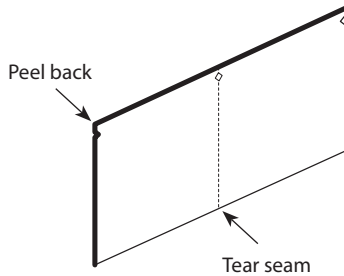


**WARNING:** Ground fixture in accordance with local and national electrical codes. Failure to do so may result in serious personal injury. Fixture Installations should ONLY be done by a qualified licensed electrical professional.

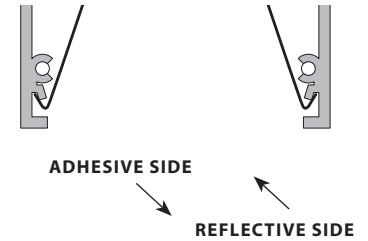
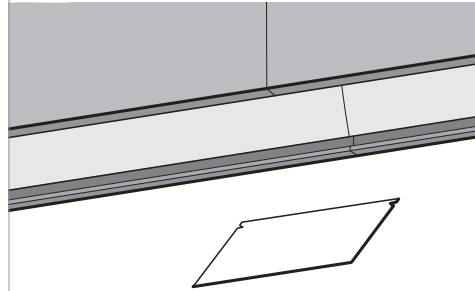


**WALL SPACER**

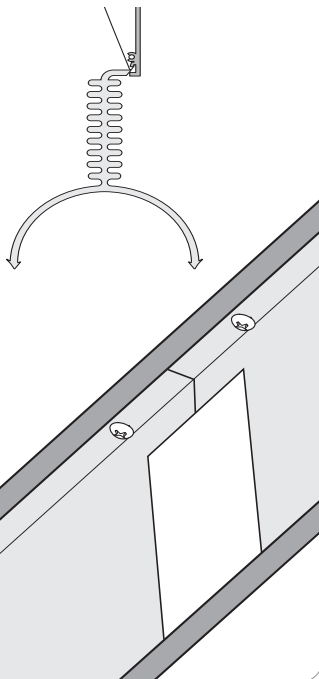
**11a)** Tear seam reflector at perforation.  
Peel film to reveal adhesive.



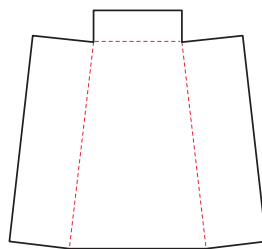
**11b)** Insert seam reflector under brake.



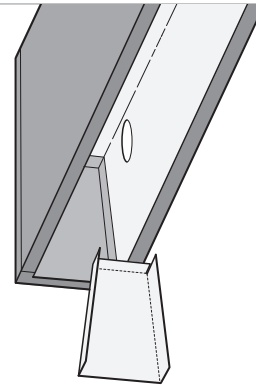
**11c)** Secure the seam reflector.



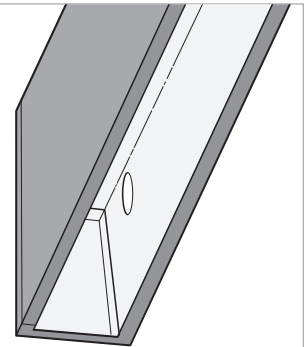
**12)**



**FOLD END REFLECTORS  
AT PERFORATIONS**



Align folded reflector with  
end cap interior.



Install end reflector so it  
covers the seam between the  
end cap and reflector

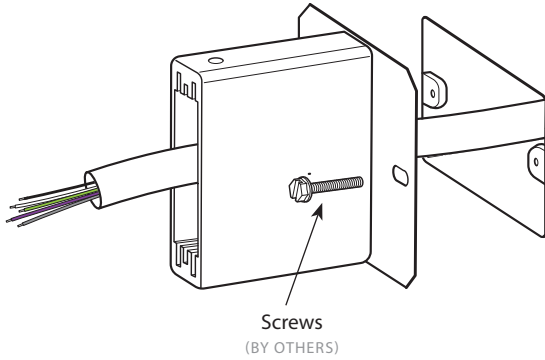
**13)** Install Lens (see page 12).

**WARNING:** Ground fixture in accordance with local and national electrical codes. Failure to do so may result in serious personal injury.  
Fixture Installations should ONLY be done by a qualified licensed electrical professional.

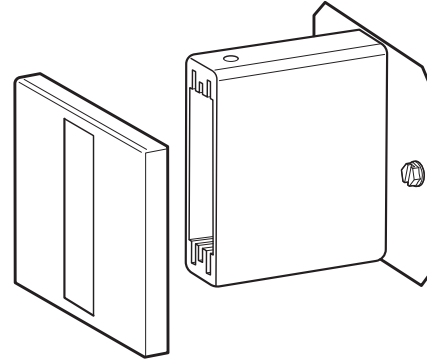


## WALL BRACKET

- 1)** Mount brackets to J Box (and blocking) or structure.  
Pull power cord through bracket.

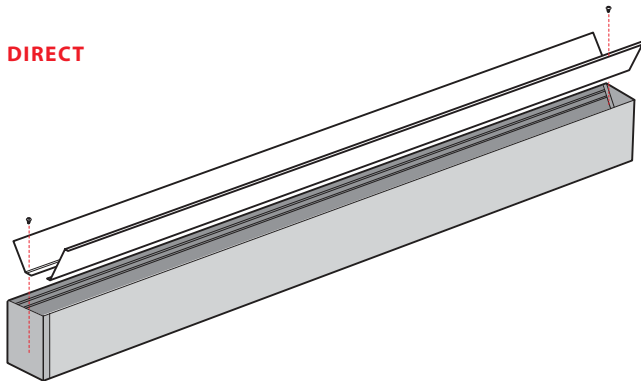


- 2)** Slide canopy over and flush to the wall, attach in place with set screws provided

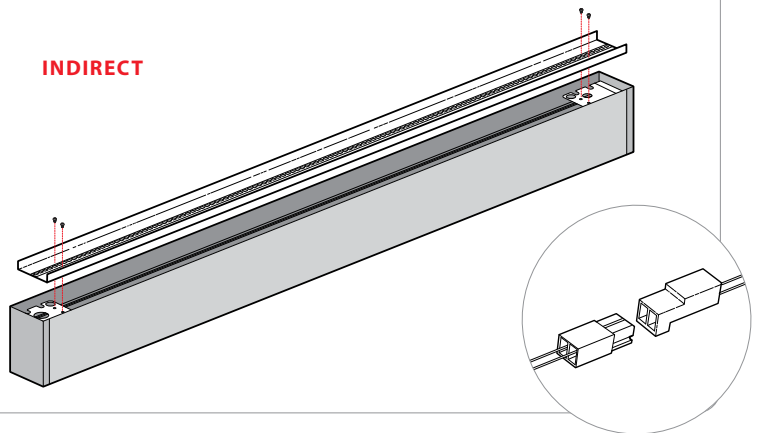


- 3)** Remove reflectors.

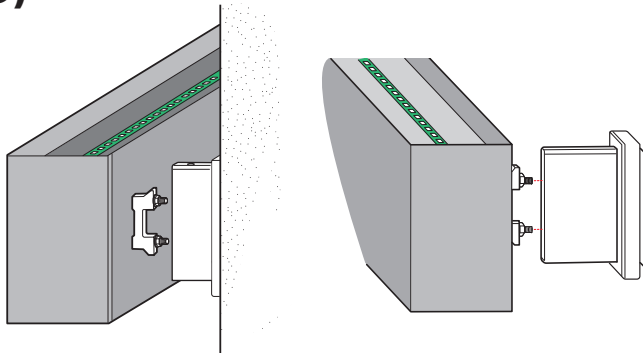
**DIRECT**



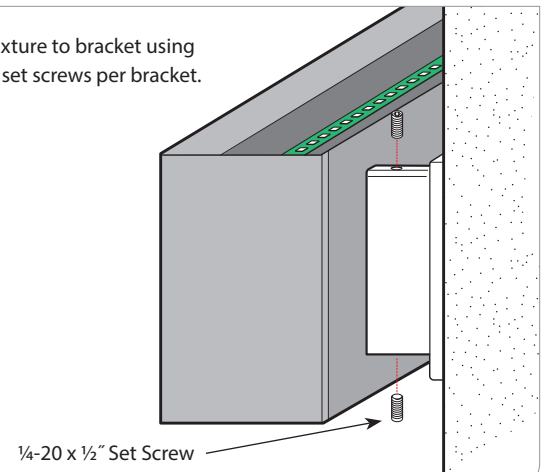
**INDIRECT**



- 5)** Insert cleats into Wall Bracket.



- 6)** Secure fixture to bracket using  
(2) ¼-20 set screws per bracket.



**WARNING:** Ground fixture in accordance with local and national electrical codes. Failure to do so may result in serious personal injury. Fixture Installations should ONLY be done by a qualified licensed electrical professional.



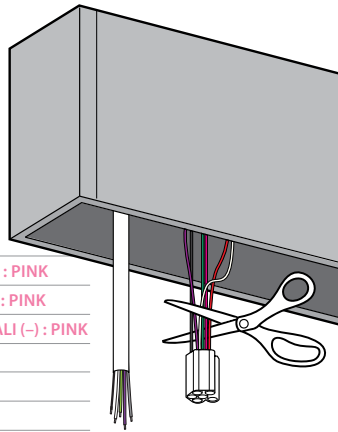
## WALL BRACKET

**7)** Cut and strip connector. Make all wiring connections (see table).

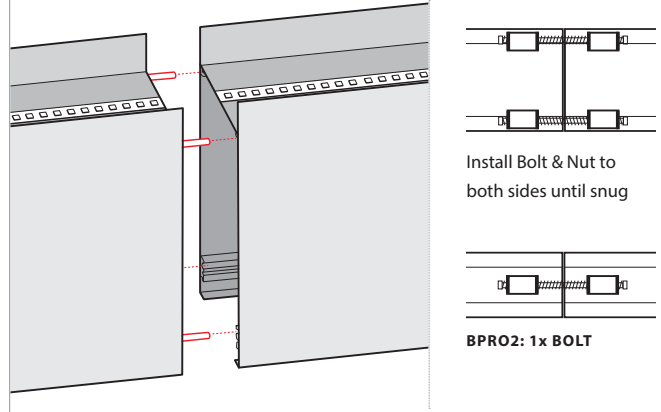
**NOTE:** for rows to cut off harness lead, individuals are just bare wires

**WIRING:**

0-10V (+) : PURPLE	0-10V (-) : PINK
DALI (+) : PURPLE	DALI (-) : PINK
EcoSystem DALI (+) : PURPLE	EcoSystem DALI (-) : PINK
HOT : BLACK	
NEUTRAL : WHITE	
GROUND : GREEN	
CONSTANT HOT (EM) : RED	

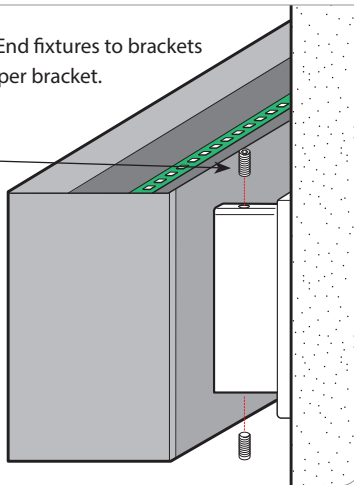


**8)** Install Intermediate and End fixtures, secure together with bolts

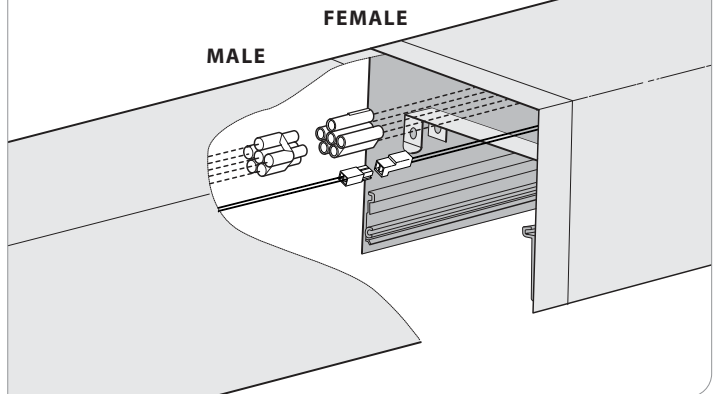


**9)** Secure Intermediate and End fixtures to brackets using (2) ¼-20 set screws per bracket.

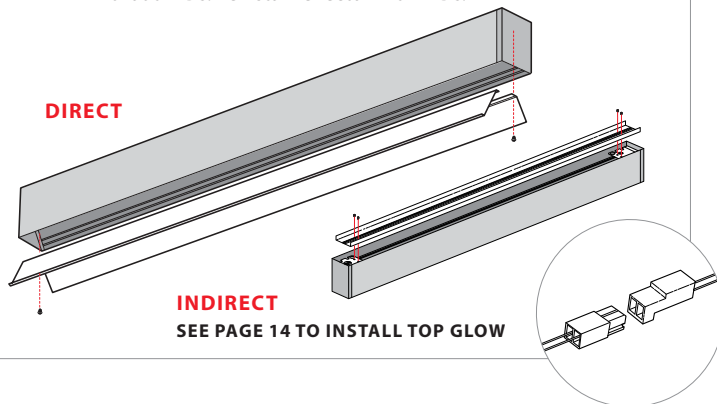
¼-20 x ½" Set Screw



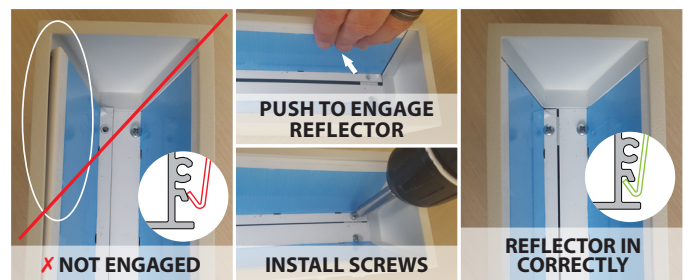
**10)** Make electrical and dimming harness connections.



**11)** Reinstall the reflector without LEDs. Make electrical connections to LEDs (See inset). Tuck all loose wires behind reflector without LEDs. Reinstall reflector with LEDs.



**12)** Snap reflectors into place.



**WARNING:** Ground fixture in accordance with local and national electrical codes. Failure to do so may result in serious personal injury. Fixture Installations should ONLY be done by a qualified licensed electrical professional.

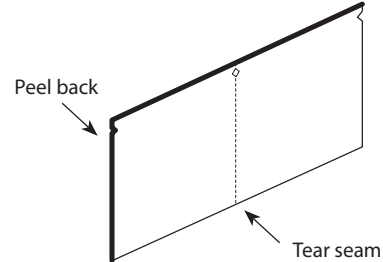


**WALL BRACKET**

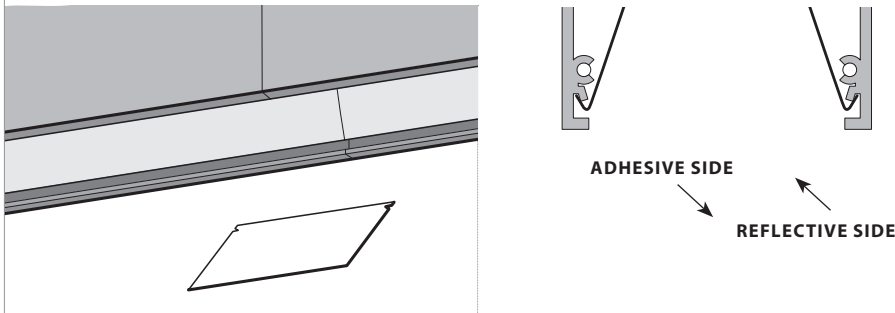
**13)** Peel blue protective covering off reflectors.



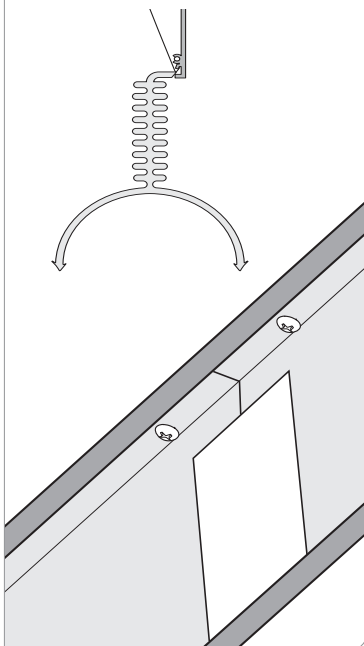
**14a)** Tear seam reflector at perforation. Peel film to reveal adhesive.



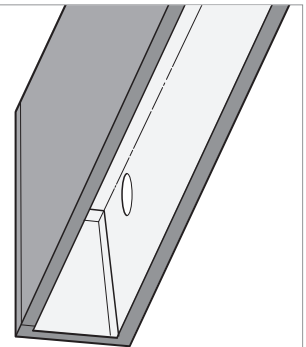
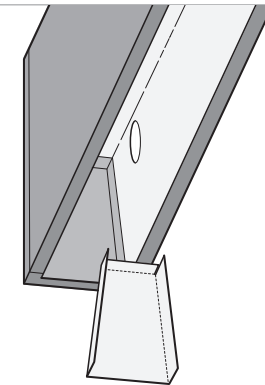
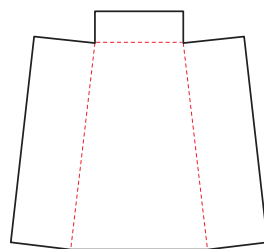
**14b)** Insert seam reflector under brake.



**14c)** Secure the seam reflector.



**15)**



**16)** Install Lens (see page 12).

**WARNING:** Ground fixture in accordance with local and national electrical codes. Failure to do so may result in serious personal injury. Fixture Installations should ONLY be done by a qualified licensed electrical professional.



**LENS INSTALLATION**

**⚠️ ENERGIZE ROWS TO ENSURE ALL LEDS ARE WORKING BEFORE INSTALL**    **👤 LENS REQUIRES TWO PEOPLE TO INSTALL**

**LENS ORIENTATION**

**SAL** – Satin lens has both sides the same, reversible, no orientation

**BTW** – Batwing shiny side UP, matte frosted side DOWN.

**MGZ/WWF/WWG/PFL** – Wall Wash and Perimeter lenses, ribbed side UP (they can be seen and felt).

NOTE: WWG and PFL are the same with opposite orientation

**Stickers** indicate WALL and ROOM sides, but the lens also has engraving indicating each as shown.

**RECOMMENDED:** Start lens installation from LEFT to RIGHT.

START

INTERMEDIATE

END

**LENS INSTALLATION — IF ALL FIXTURES ARE ALREADY INSTALLED**

**1)** Measure 18" from end cap. Using a pencil, place a small mark on the fixture.

**2)** Make sure lens is square.

**3)** Install tape strip **TIGHTLY** approximately 16" from start.

**TIGHT**  
tape strip

**4)** Insert lens into lens tool, then place just before **TIGHT** tape strip.

**FOR BPRO2-REG3**

Install clamp before inserting into fixture. Once installed in fixture, remove clamp and proceed to step 5.

Lens tool with clamp installed into fixture    Clamp removed

**WARNING:** Ground fixture in accordance with local and national electrical codes. Failure to do so may result in serious personal injury. Fixture Installations should ONLY be done by a qualified licensed electrical professional.



**5)** Install **LOOSE** tape strip about 12" from start to hold lens parallel to fixture (easier to pull).

**6)** Pull lens through channel with fingers or non-marring pliers.

**NOTE:** Hold lens roll near ceiling, close to horizontal with fixture.

**7)** Use tape strip to pull lens into end cap.

**END OF ROW**

**8)** Make sure lens is tucked inside end cap.

**END OF ROW**

**9)** At start of fixture, remove tape strips and as a rough cut trim lens 1" past end cap.

**! MAKE SURE LENS IS TUCKED INTO END CAP AT END OF ROW AS SHOWN IN STEP 8**

**10)** Mark lens with pencil where you made the mark 18" from start of row inside fixture.

**! MAKE SURE LENS IS TUCKED INTO END CAP AT END OF ROW AS SHOWN IN STEP 8**

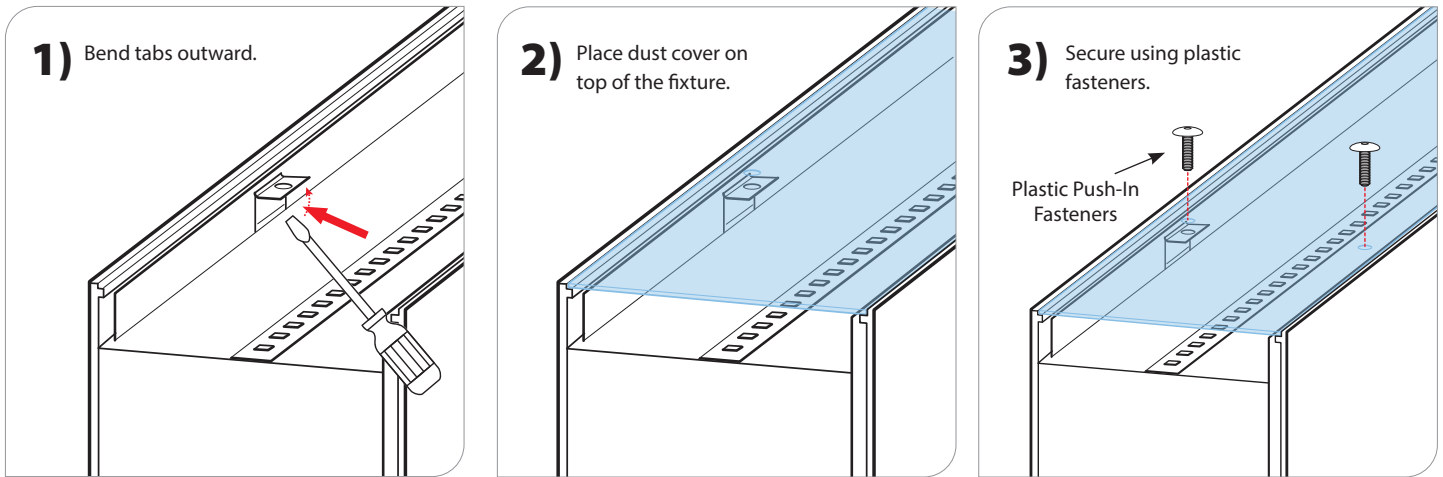
**11)** Measure 18 1/16" from mark on lens to near end of lens. Mark and trim lens.

**12)** Slide lens tool end cap to insert remaining lens, using other end of tool or fingers to insert at end cap.

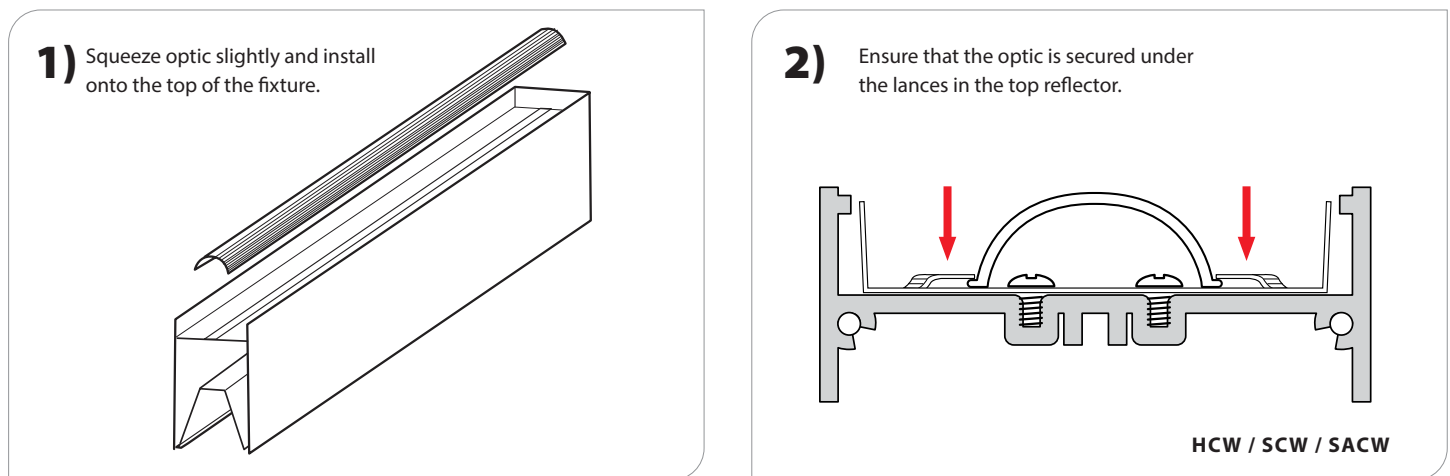
**WARNING:** Ground fixture in accordance with local and national electrical codes. Failure to do so may result in serious personal injury. Fixture Installations should **ONLY** be done by a qualified licensed electrical professional.



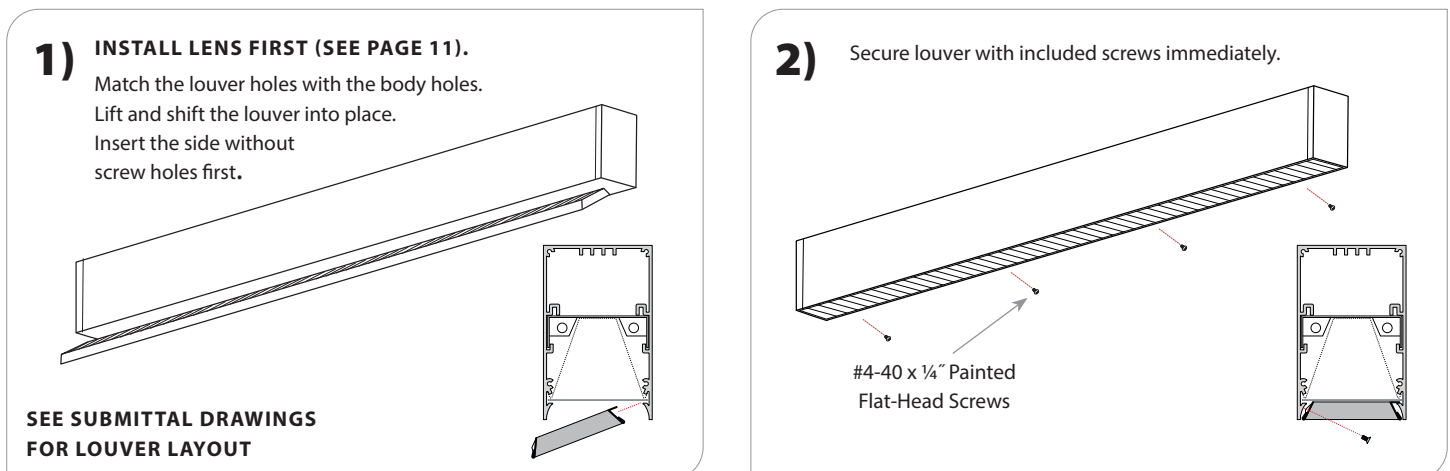
### DUST COVER



### INDIRECT OPTIC



### LOUVERS

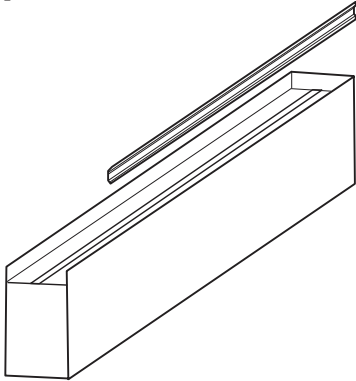


**WARNING:** Ground fixture in accordance with local and national electrical codes. Failure to do so may result in serious personal injury. Fixture Installations should ONLY be done by a qualified licensed electrical professional.

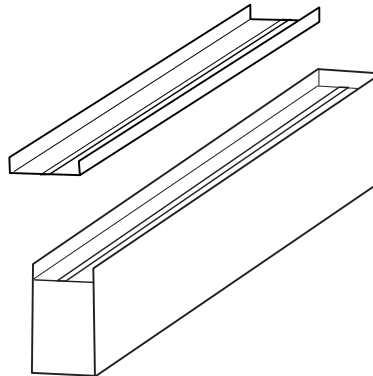


**TOP GLOW — INDIRECT ONLY**

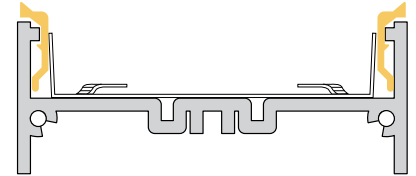
**1)** Install 1 of the top glow profiles.



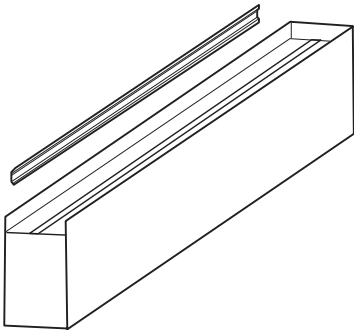
**2)** Place the top reflector and LED assembly onto the fixture.



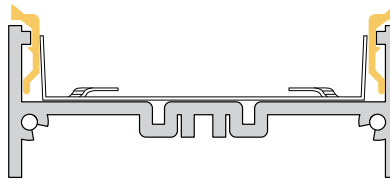
**3)** Slide the top reflector and LED assembly to the side to allow clearance for the other top glow profile.



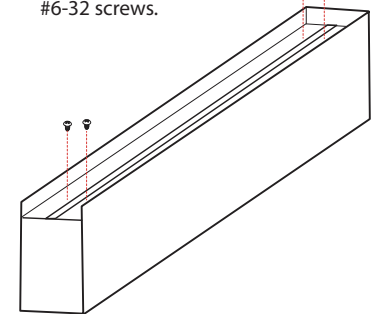
**4)** Install the other top glow profile.



**5)** Center the top reflector and LED assembly to secure the top glow profiles.



**6)** Fasten the top reflector and LED assembly to the fixture using the included #6-32 screws.

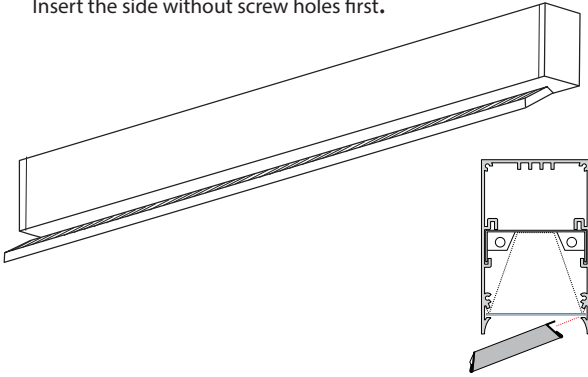


**WARNING:** Ground fixture in accordance with local and national electrical codes. Failure to do so may result in serious personal injury. Fixture Installations should ONLY be done by a qualified licensed electrical professional.

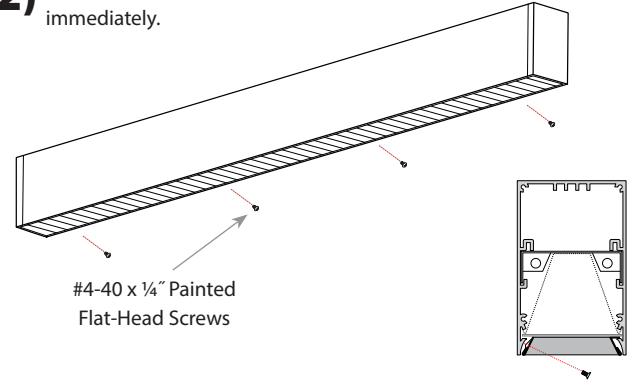


## LOUVERS

- 1) Lift and shift the louver into place.  
Insert the side without screw holes first.



- 2) Secure louver with included screws immediately.

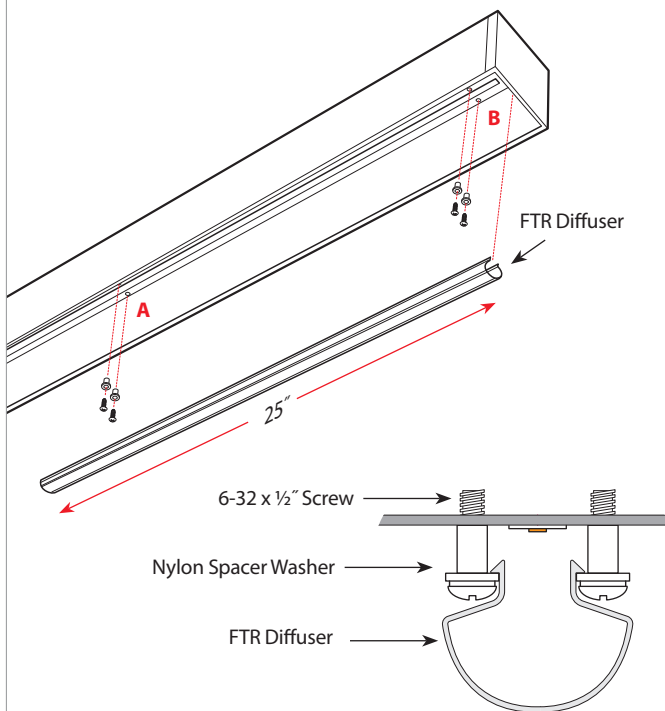


## FTR END OF ROW FEATHERING

### STANDARD FIXTURES

Before installing lens, replace the 1/4" screws at locations **A** and **B** with 1/2" screws, placing the provided spacer under the screws as shown.

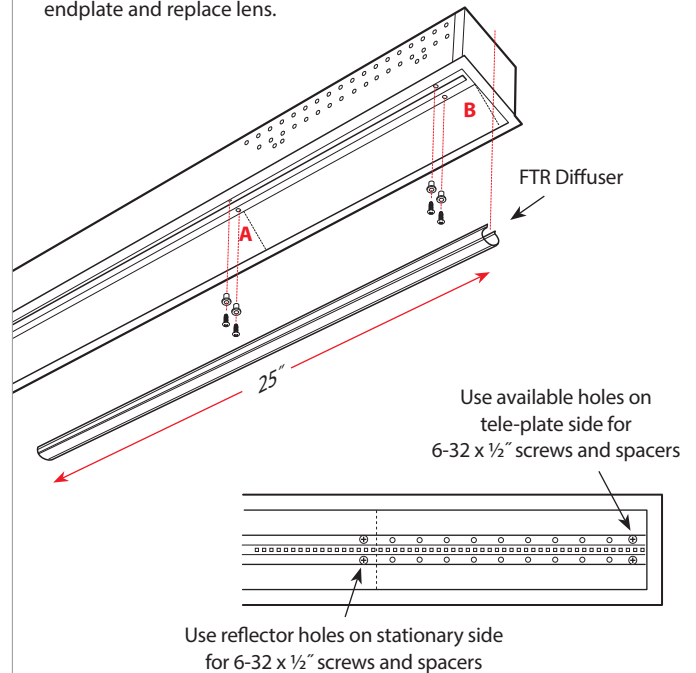
With screws and spacers installed, snap the FTR Diffuser over the LEDs at locations **A** and **B**, making sure that the hooks in the diffuser catch on the lip of the spacers. Push the FTR diffuser against the fixture endplate and install lens.



### FILLER FIXTURES

After cutting the filler body to the desired length, at location **A**, replace the 1/4" screws with 1/2" screws, placing the provided spacer under the screws as shown. At location **B**, use available holes in tele-plate to attach screws and spacers.

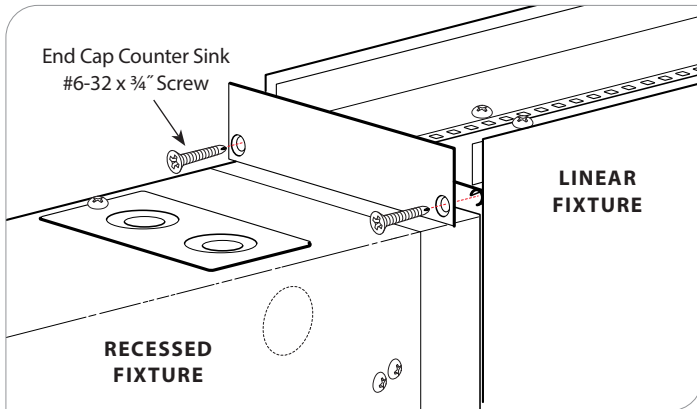
With screws and spacers installed, snap the FTR Diffuser over the LEDs at locations **A** and **B**, making sure that the hooks in the diffuser catch on the lip of the spacers. Push the FTR diffuser against the fixture endplate and replace lens.



**WARNING:** Ground fixture in accordance with local and national electrical codes. Failure to do so may result in serious personal injury. Fixture Installations should ONLY be done by a qualified licensed electrical professional.

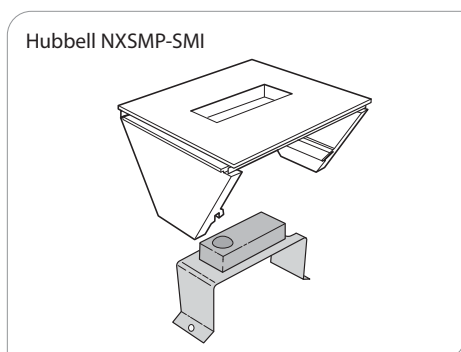
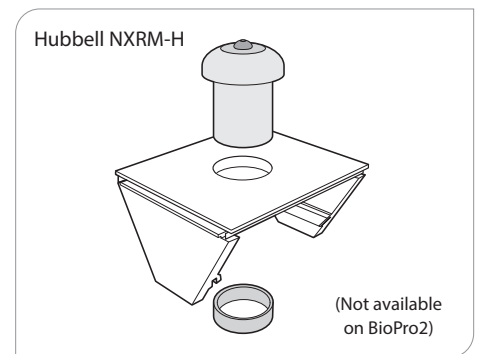
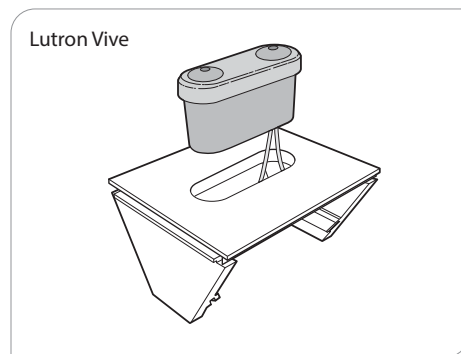
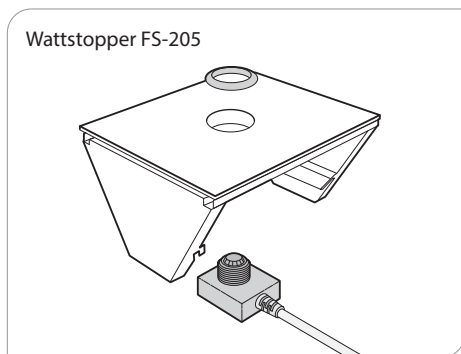
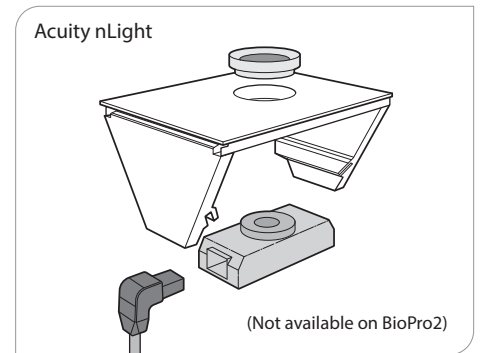
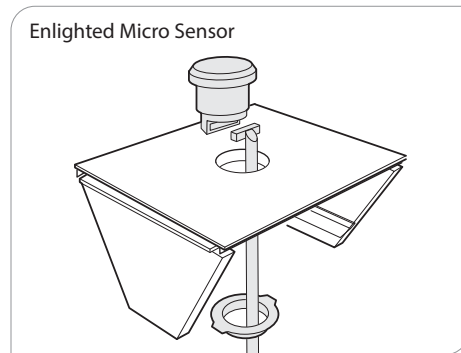
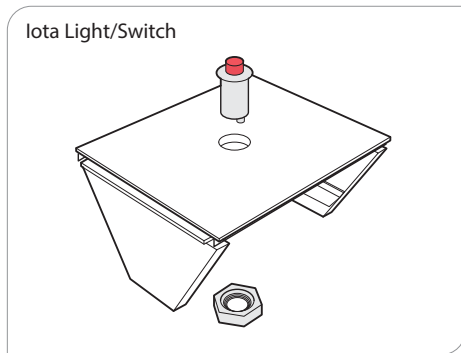


### LRT (LINEAR TO RECESSED) DETAIL



### ACCESSORY PLATE & SENSOR INSTALLATION

#### SENSORS



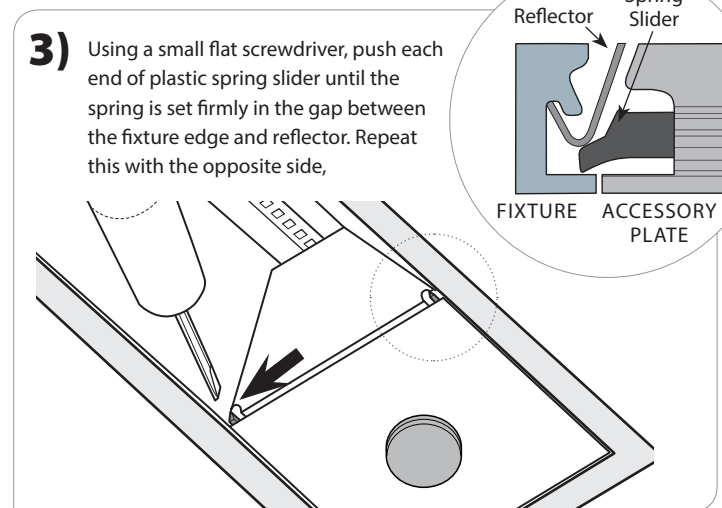
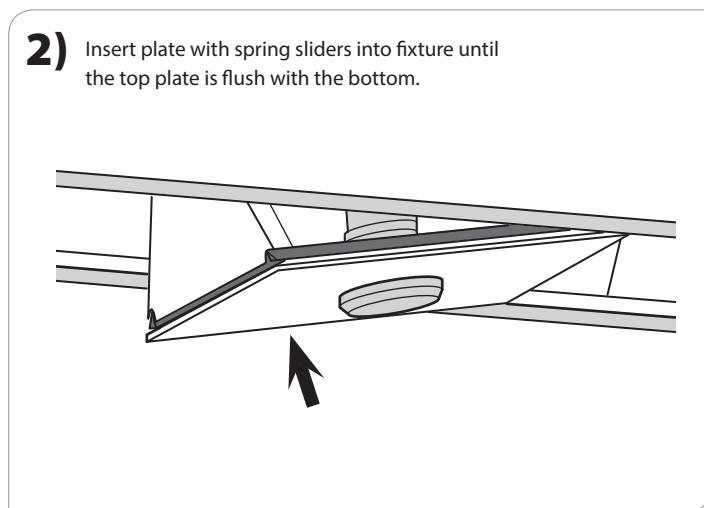
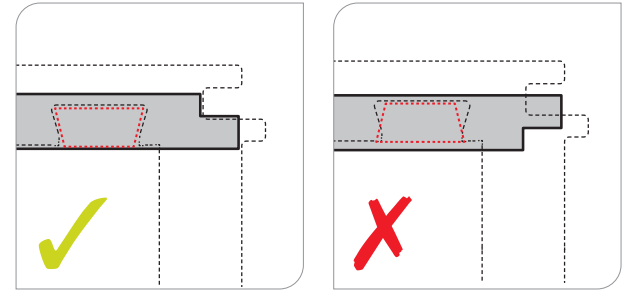
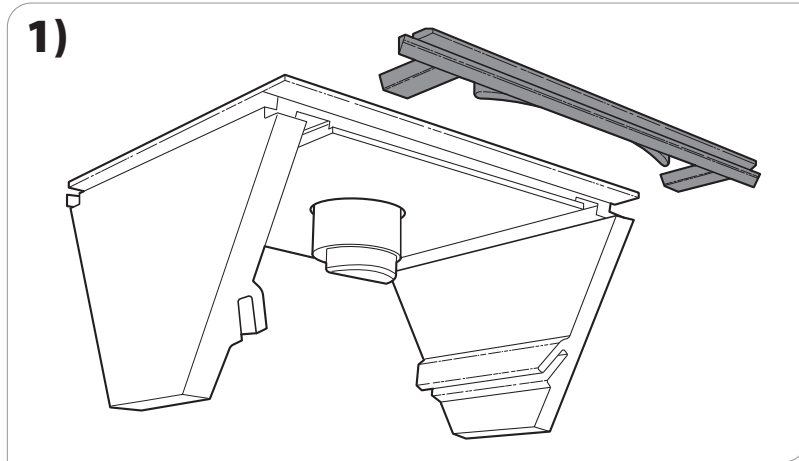
**WARNING:** Ground fixture in accordance with local and national electrical codes. Failure to do so may result in serious personal injury. Fixture Installations should ONLY be done by a qualified licensed electrical professional.



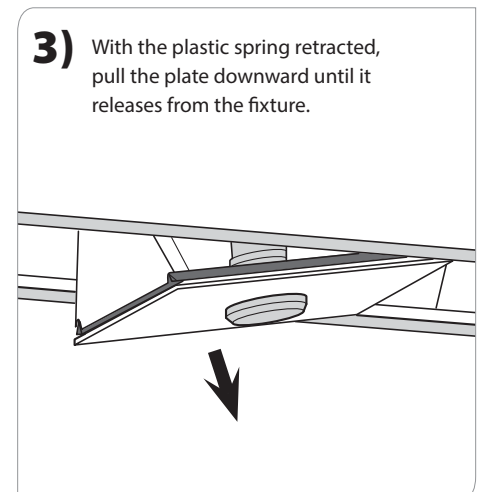
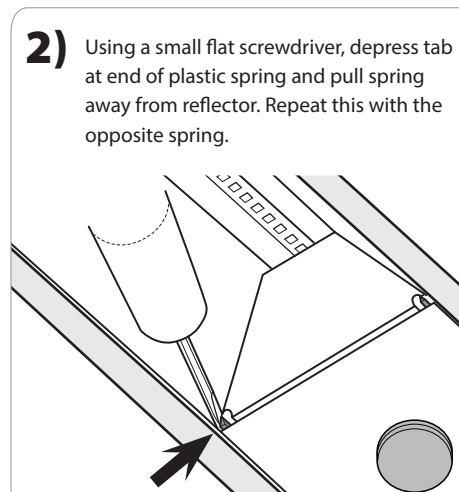
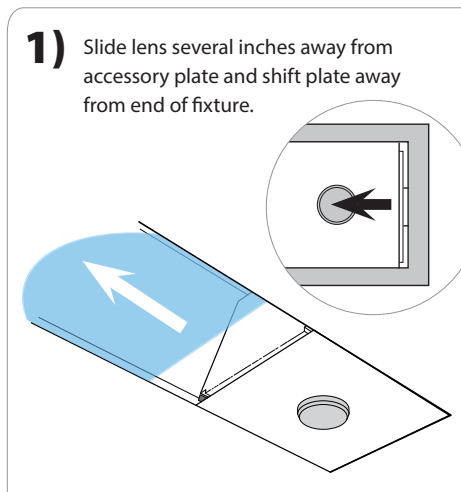
### ACCESSORY PLATE ASSEMBLY

Insert slider spring tabs into dovetail slots in the bottom of plate

Spring tabs must be oriented to match dovetails in plate



### ACCESSORY PLATE REMOVAL



**WARNING:** Ground fixture in accordance with local and national electrical codes. Failure to do so may result in serious personal injury. Fixture Installations should ONLY be done by a qualified licensed electrical professional.