

BionicPro | Linear

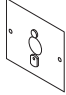


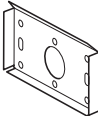

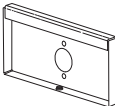
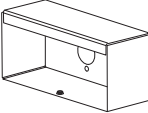


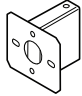
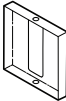



Wall Mount

INSTALLATION INSTRUCTIONS



PRUDENTIAL LTG.

PRULITE.COM 213.746.0360

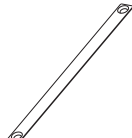
PART	PART NO.	DESCRIPTION
WALL MOUNT FLUSH:		
	122966	Flush Wall Mount Bracket
	100-00190-14	#8-32 Screw
	100-00310-14	#8-32 KEPS Nut
WALL SPACER:		
	100399	Support Bracket
	100-00118-14	#8-32 x 1/4" Set Screw
	100400	1/2" Wall Spacer (SHIPPED INSTALLED)
	132881	2" Wall Spacer (SHIPPED INSTALLED)
	100-00190-14	#8-32 Screw
	100-00310-14	#8-32 KEPS Nut
WALL BRACKET:		
	100417	Wall Bracket
	91625	Wall Bracket Canopy
	100-00107-14	1/4-20 x 1/2" Set Screw
	100-00237-14	#6-32 x 5/16" Cone Point Set Screw
ENDPLATE REFLECTOR:		
	2" — 100-00482-10	FOR NON-WHITE FIXTURES ONLY
	3" — 100-00483-10	
	4" — 100-00484-10	
	5" — 100-00485-10	

PART	PART NO.	DESCRIPTION
	100-00283-14	1/4-20 x 5.0 Round Head Combination Drive Machine Screw
	100-00255-14	1/4-20 KEPS Hex Nut
	100-00486-10	BionicPro Seam Reflector
OPTICS & LOUVERS:		
	100-00472-10	Soft Asymmetric Ceiling Wash
	100-00471-10	Soft Ceiling Wash
	100-00186-10	Plastic Lens Holder
	100-00321-02	Reflector
	100-00479-10	Top Glow Lens
	100-01002-18	CLEAR Acrylic Dust Cover
	100-00885-18	FROSTED Acrylic Dust Cover
	100-00333-14	Plastic Push-In Fasteners
	100-00374-07	2" — Louver
	100-00375-07	3" — Louver
	100-00376-10	4" — Louver
	100-00377-07	5" — Louver
	100-00353-14	#4-40 x 1/4" Flat Head Screw (Painted)
	100-00462-10	2" — BionicPro Lens Tool — White
	100-00464-10	3" — BionicPro Lens Tool — Natural
	100-00465-10	4" — BionicPro Lens Tool — Black
	100-00463-10	5" — BionicPro Lens Tool — White
	100-00040-20	Tape Strips




WARNING: Ground fixture in accordance with local and national electrical codes. Failure to do so may result in serious personal injury. Fixture Installations should ONLY be done by a qualified licensed electrical professional.



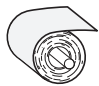
LRT (LINEAR TO RECESSED TRANSITION PLATES):

	Direct to REC/PER	Direct/Indirect to REC/PER
 2" —	135770	135774
3" —	135771	135775
4" —	135772	135776
5" —	135773	135777

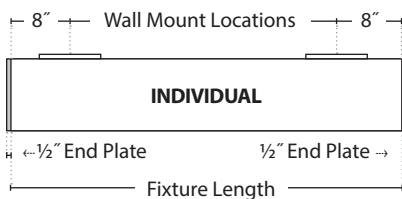
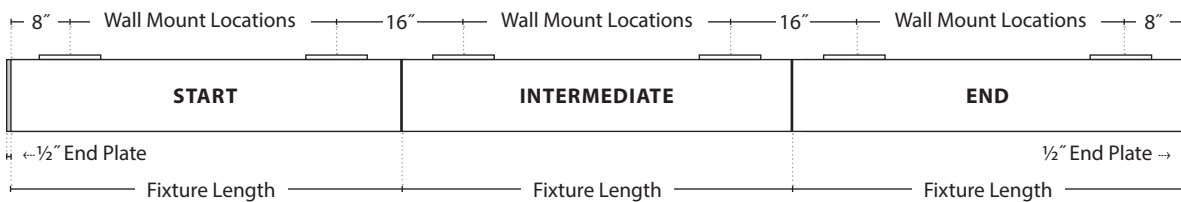
FTR (FEATHERING DIFFUSER):

	100-00843-10	Diffuser
	100-00374-14	Nylon Spacer Washer
	100-00182-14	6-32 x 1/2" Screw

LENSES:

	SAL	BTW	WWF	PFL/WWG	NGZ	MGZ	WGZ
 2" —	100-00966-18	100-00961-18	100-00973-18	100-00978-18	100-00983-18	100-01004-18	100-00988-18
3" —	100-00967-18	100-00962-18	100-00974-18	100-00979-18	100-00984-18	100-01005-18	100-00989-18
4" —	100-00968-18	100-00963-18	100-00975-18	100-00980-18	100-00985-18	100-01006-08	100-00990-18
5" —	100-00969-18	100-00964-18	100-00976-18	100-00981-18	100-00986-18	100-01007-18	100-00991-18

WALL MOUNT



	FIXTURE LENGTHs	WALL MOUNT locations
2'	24"	8"
3'	36"	20"
4'	48"	32"
5'	60"	44"
6'	72"	56"
7'	84"	68"
8'	96"	80"

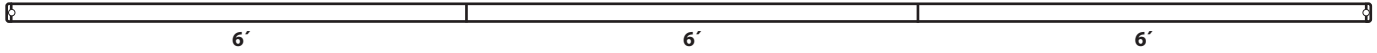
WARNING: Ground fixture in accordance with local and national electrical codes. Failure to do so may result in serious personal injury. Fixture installations should ONLY be done by a qualified licensed electrical professional.



18' STANDARD ROW LENGTH:



18' SYMMETRIC ROW LENGTH (SRL):



STANDARD

ROW LENGTH		
9'	5+4	5FT STR + 4FT END
10'	6+4	6FT STR + 4FT END
11'	7+4	7FT STR + 4FT END
12'	8+4	8FT STR + 4FT END
13'	8+5	8FT STR + 5FT END
14'	8+6	8FT STR + 6FT END
15'	8+7	8FT STR + 7FT END
16'	8+8	8FT STR + 8FT END
17'	8+5+4	8FT STR + 5FT INT + 4FT END
18'	8+6+4	8FT STR + 6FT INT + 4FT END
19'	8+7+4	8FT STR + 7FT INT + 4FT END
20'	8+8+4	8FT STR + 8FT INT + 4FT END
21'	8+8+5	8FT STR + 8FT INT + 5FT END
22'	8+8+6	8FT STR + 8FT INT + 6FT END
23'	8+8+7	8FT STR + 8FT INT + 7FT END
24'	8+8+8	8FT STR + 8FT INT + 8FT END
25'	8+8+5+4	8FT STR + 8FT INT + 5FT INT + 4FT END
26'	8+8+6+4	8FT STR + 8FT INT + 6FT INT + 4FT END
27'	8+8+7+4	8FT STR + 8FT INT + 7FT INT + 4FT END
28'	8+8+8+4	8FT STR + (2) 8FT INT + 4FT END
29'	8+8+8+5	8FT STR + (2) 8FT INT + 5FT END
30'	8+8+8+6	8FT STR + (2) 8FT INT + 6FT END
31'	8+8+8+7	8FT STR + (2) 8FT INT + 7FT END
32'	8+8+8+8	8FT STR + (2) 8FT INT + 8FT END
33'	8+8+8+5+4	8FT STR + (2) 8FT INT + 5FT INT + 4FT END
34'	8+8+8+6+4	8FT STR + (2) 8FT INT + 6FT INT + 4FT END
35'	8+8+8+7+4	8FT STR + (2) 8FT INT + 7FT INT + 4FT END
36'	8+8+8+8+4	8FT STR + (3) 8FT INT + 4FT END
37'	8+8+8+8+5	8FT STR + (3) 8FT INT + 5FT END
38'	8+8+8+8+6	8FT STR + (3) 8FT INT + 6FT END
39'	8+8+8+8+7	8FT STR + (3) 8FT INT + 7FT END
40'	8+8+8+8+8	8FT STR + (3) 8FT INT + 8FT END
41'	8+8+8+8+5+4	8FT STR + (3) 8FT INT + 5FT INT + 4FT END
42'	8+8+8+8+6+4	8FT STR + (3) 8FT INT + 6FT INT + 4FT END
43'	8+8+8+8+7+4	8FT STR + (3) 8FT INT + 7FT INT + 4FT END
44'	8+8+8+8+8+4	8FT STR + (4) 8FT INT + 4FT END
45'	8+8+8+8+8+5	8FT STR + (4) 8FT INT + 5FT END
46'	8+8+8+8+8+6	8FT STR + (4) 8FT INT + 6FT END
47'	8+8+8+8+8+7	8FT STR + (4) 8FT INT + 7FT END
48'	8+8+8+8+8+8	8FT STR + (4) 8FT INT + 8FT END
49'	8+8+8+8+8+5+4	8FT STR + (4) 8FT INT + 5FT INT + 4FT END
50'	8+8+8+8+8+6+4	8FT STR + (4) 8FT INT + 6FT INT + 4FT END

SYMMETRICAL

ROW LENGTH		
9'	3+3+3	3FT STR + 3FT INT + 3FT END
10'	5+5	5FT STR + 5FT END
11'	4+3+4	4FT STR + 3FT INT + 4FT END
12'	6+6	6FT STR + 6FT END
13'	4+5+4	4FT STR + 5FT INT + 4FT END
14'	7+7	7FT STR + 7FT END
15'	5+5+5	5FT STR + 5FT INT + 5FT END
16'	8+8	8FT STR + 8FT END
17'	6+5+6	6FT STR + 5FT INT + 6FT END
18'	6+6+6	6FT STR + 6FT INT + 6FT END
19'	6+7+6	6FT STR + 7FT INT + 6FT END
20'	8+4+8	8FT STR + 4FT INT + 8FT END
21'	8+5+8	8FT STR + 5FT INT + 8FT END
22'	8+6+8	8FT STR + 6FT INT + 8FT END
23'	8+7+8	8FT STR + 7FT INT + 8FT END
24'	8+8+8	8FT STR + 8FT INT + 8FT END
25'	6+4+5+4+6	6FT STR + 4FT INT + 5FT INT + 4FT INT + 6FT END
26'	8+5+5+8	8FT STR + (2) 5FT INT + 8FT END
27'	6+5+5+5+6	6FT STR + (3) 5FT INT + 6FT END
28'	8+6+6+8	8FT STR + (2) 6FT INT + 8FT END
29'	8+4+5+4+8	8FT STR + 4FT INT + 5FT INT + 4FT INT + 8FT END
30'	8+7+7+8	8FT STR + (2) 7FT INT + 8FT END
31'	8+5+5+5+8	8FT STR + (3) 5FT INT + 8FT END
32'	8+8+8+8	8FT STR + (2) 8FT INT + 8FT END
33'	8+6+5+6+8	8FT STR + 6FT INT + 5FT INT + 6FT INT + 8FT END
34'	8+6+6+6+8	8FT STR + 6FT INT + 6FT INT + 6FT INT + 8FT END
35'	8+6+7+6+8	8FT STR + 6FT INT + 7FT INT + 6FT INT + 8FT END
36'	8+8+4+8+8	8FT STR + 8FT INT + 4FT INT + 8FT INT + 8FT END
37'	8+8+5+8+8	8FT STR + 8FT INT + 5FT INT + 8FT INT + 8FT END
38'	8+8+6+8+8	8FT STR + 8FT INT + 6FT INT + 8FT INT + 8FT END
39'	8+8+7+8+8	8FT STR + 8FT INT + 7FT INT + 8FT INT + 8FT END
40'	8+8+8+8+8	8FT STR + (3) 8FT INT + 8FT END
41'	8+6+4+5+4+6+8	8FT STR + 6FT INT + 4FT INT + 5FT INT + 4FT INT + 6FT INT + 8FT END
42'	8+8+5+5+8+8	8FT STR + 8FT INT + (2) 5FT INT + 8FT INT + 8FT END
43'	8+6+5+5+5+6+8	8FT STR + 6FT INT + (3) 5FT INT + 6FT INT + 8FT END
44'	8+8+6+6+8+8	8FT STR + 8FT INT + (2) 6FT INT + 8FT INT + 8FT END
45'	8+8+4+5+4+8+8	8FT STR + 8FT INT + 4FT INT + 5FT INT + 4FT INT + 8FT INT + 8FT END
46'	8+8+7+7+8+8	8FT STR + 8FT INT + (2) 7FT INT + 8FT INT + 8FT END
47'	8+8+5+5+5+8+8	8FT STR + 8FT INT + (3) 5FT INT + 8FT INT + 8FT END
48'	8+8+8+8+8+8	8FT STR + (4) 8FT INT + 8FT END
49'	8+8+6+5+6+8+8	8FT STR + 8FT INT + 6FT INT + 5FT INT + 6FT INT + 8FT INT + 8FT END
50'	8+8+6+6+6+8+8	8FT STR + 8FT INT + (3) 6FT INT + 8FT INT + 8FT END





WALL MOUNT — FLUSH TO WALL

- 1)** Mount bracket to J Box (and blocking) or structure. Pull the power leads from the junction box into the fixture.

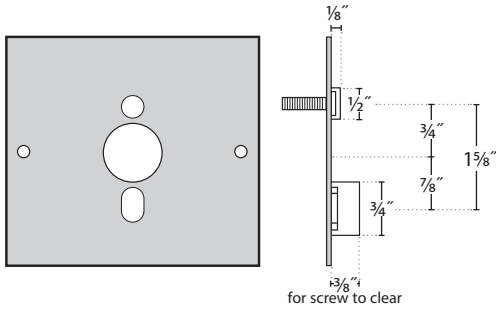
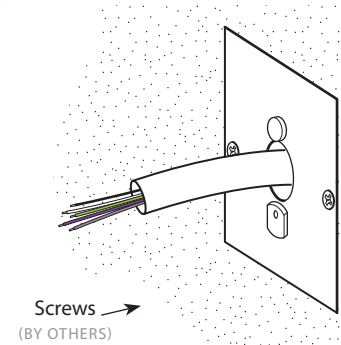
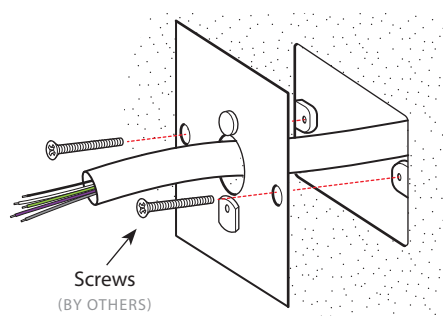
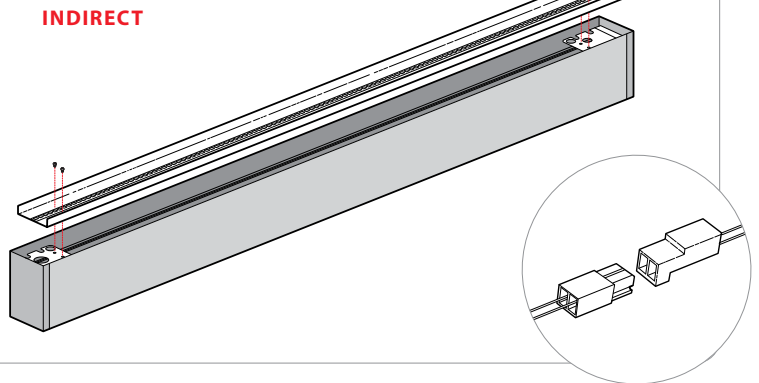
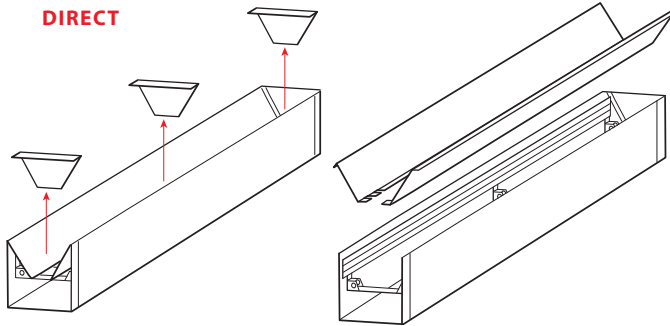


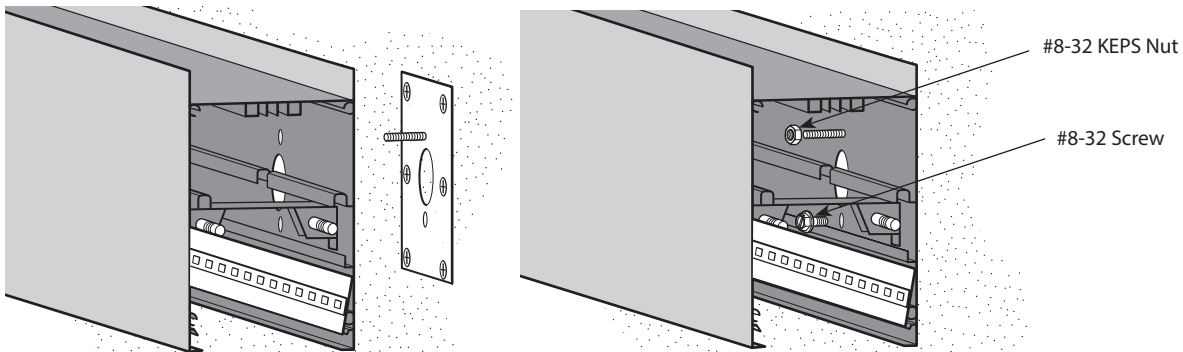
PLATE MUST SIT FLUSH AGAINST THE WALL
Requires 1/2" x 1/8" and 3/4" x 3/8" holes drilled



- 2)** Remove Cardboard Inserts. Remove Reflectors. Leave LED assembly in place.



- 3)** Install and secure fixture to wall. Leave LED assembly in place.



WARNING: Ground fixture in accordance with local and national electrical codes. Failure to do so may result in serious personal injury. Fixture Installations should ONLY be done by a qualified licensed electrical professional.



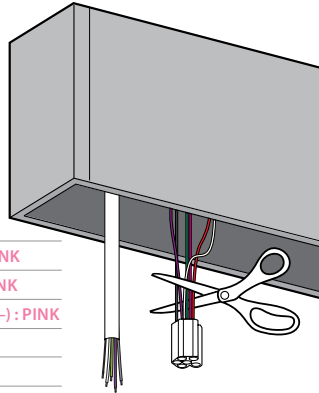
WALL MOUNT — FLUSH TO WALL

4) Cut and strip connector. Make all wiring connections (see table).

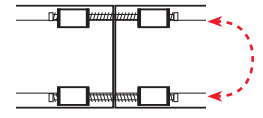
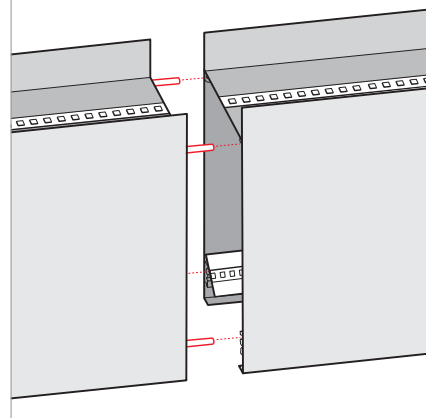
NOTE: for rows to cut off harness lead, individuals are just bare wires

WIRING:

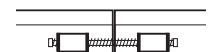
0-10V (+) : PURPLE	0-10V (-) : PINK
DALI (+) : PURPLE	DALI (-) : PINK
EcoSystem DALI (+) : PURPLE	EcoSystem DALI (-) : PINK
HOT : BLACK	
NEUTRAL : WHITE	
GROUND : GREEN	
CONSTANT HOT (EM) : RED	



5) Install Intermediate and End fixtures, secure together with bolts.



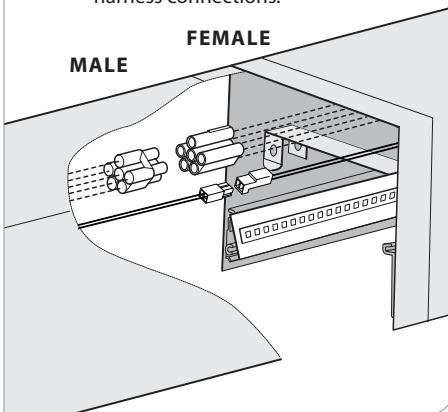
Install Bolt & Nut to both sides until snug



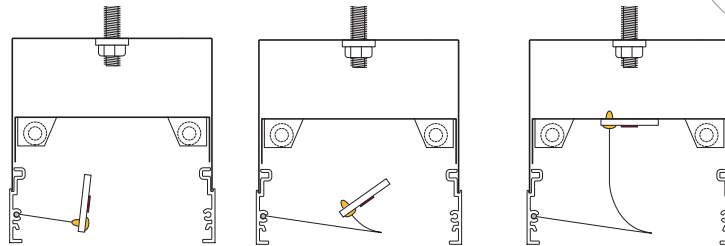
BPRO2: 1x BOLT

6) Make electrical and dimming harness connections.

MALE FEMALE



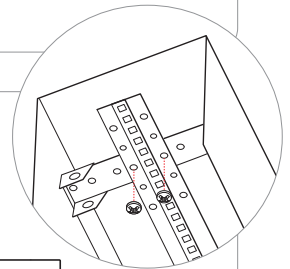
7) Use appropriate holes to attach screws to end stiffener. LED assembly should be relatively flush with end of extrusion/body when installed correctly.



1. REMOVE LED ASSEMBLY

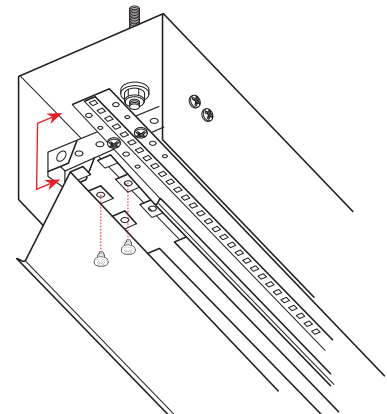
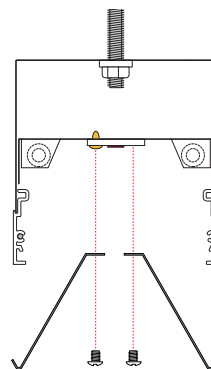
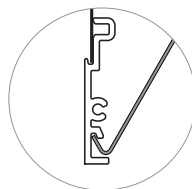
2. ROTATE LED ASSEMBLY

3. INSERT LED ASSEMBLY AGAINST STIFFENER



8) Install reflectors to fixture by attaching them to LED assembly using screws. Reflectors should be flush with end of LED assembly. Tuck wiring behind first installed reflector before installing the second.

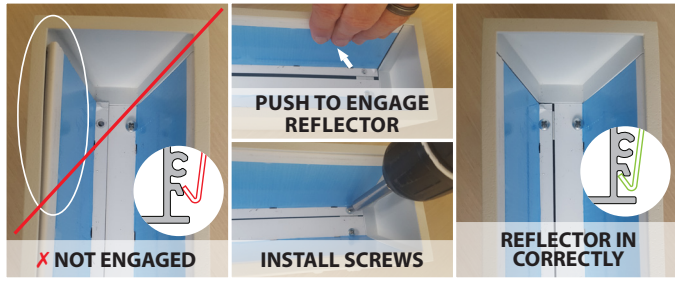
Reflectors should be flush with end of LED assembly.



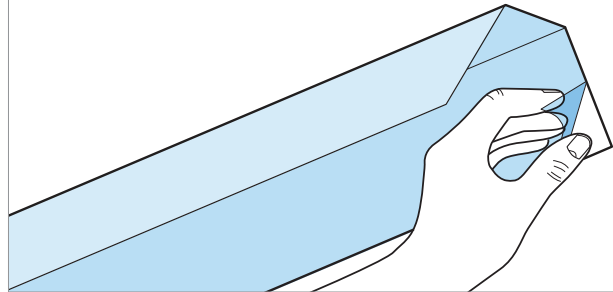
WARNING: Ground fixture in accordance with local and national electrical codes. Failure to do so may result in serious personal injury. Fixture Installations should ONLY be done by a qualified licensed electrical professional.



9) Snap reflectors into place.

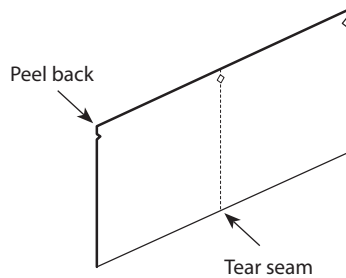


10) Peel blue protective covering off reflectors.

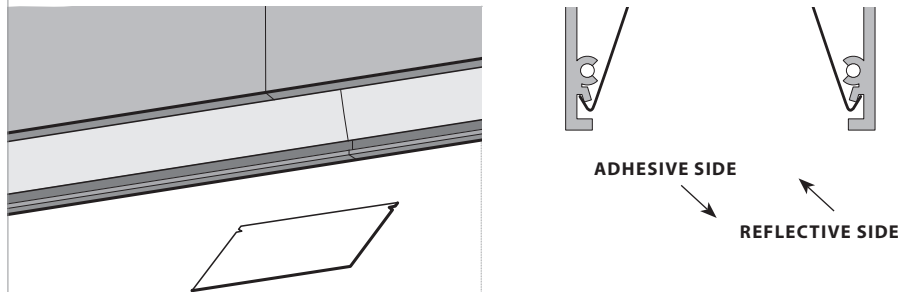


WALL MOUNT — FLUSH TO WALL

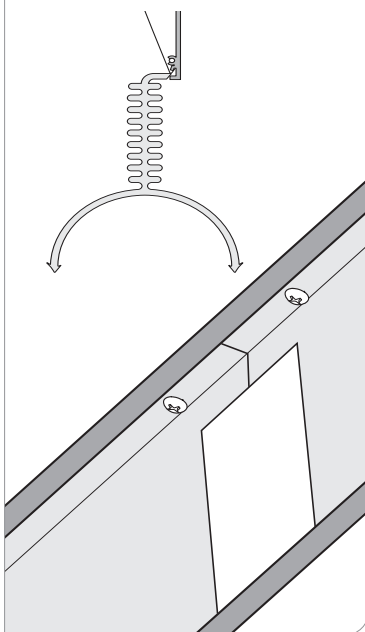
11a) Tear seam reflector at perforation. Peel film to reveal adhesive.



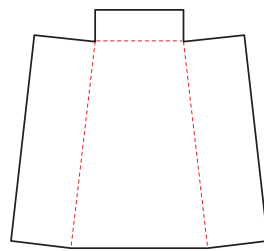
11b) Insert seam reflector under brake.



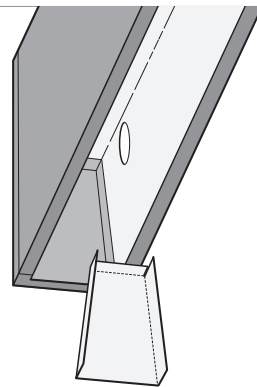
11c) Secure the seam reflector.



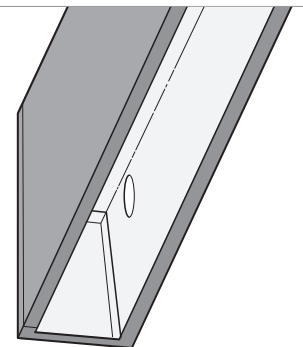
12)



FOLD END REFLECTORS AT PERFORATIONS



Align folded reflector with end cap interior.



Install end reflector so it covers the seam between the end cap and reflector

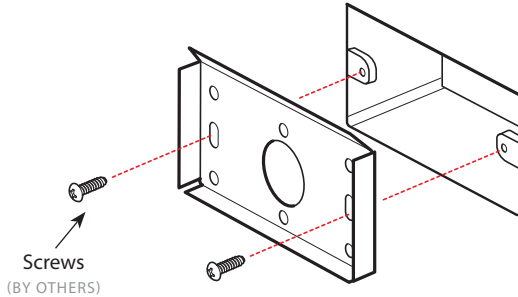
13) Install Lens (see page 14).

WARNING: Ground fixture in accordance with local and national electrical codes. Failure to do so may result in serious personal injury. Fixture Installations should ONLY be done by a qualified licensed electrical professional.



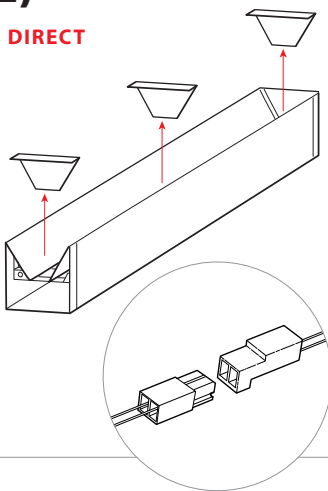
WALL SPACER

1) Mount bracket to J Box (and blocking) or structure

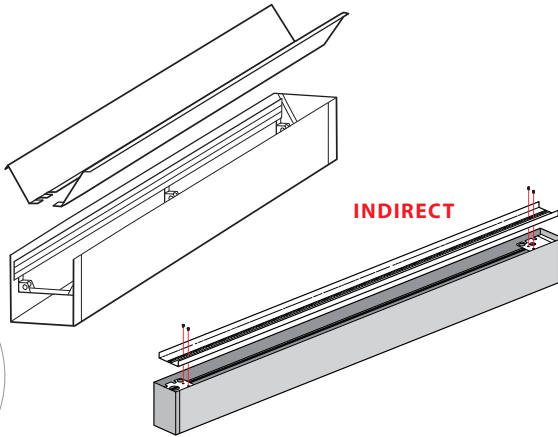


2) Remove Cardboard Inserts. Remove Reflectors. Leave LED assembly in place.

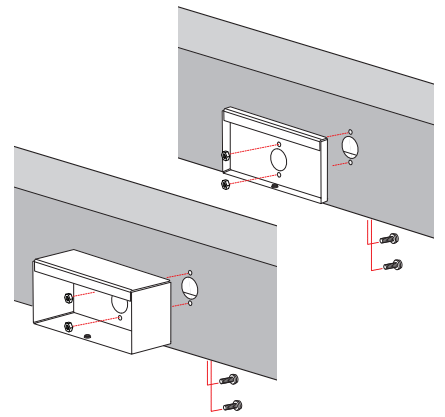
DIRECT



INDIRECT



3) If not already installed, Install the spacer onto the body.

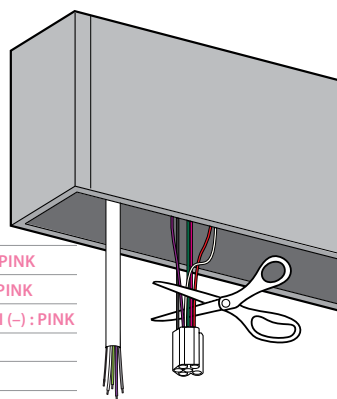


4) Cut and strip connector. Make all wiring connections (see table).

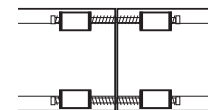
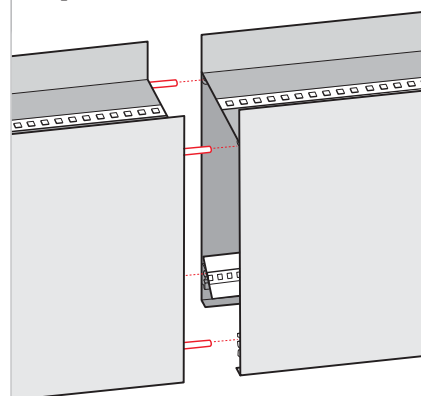
NOTE: for rows to cut off harness lead, individuals are just bare wires

WIRING:

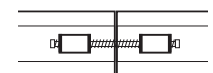
0-10V (+) : PURPLE	0-10V (-) : PINK
DALI (+) : PURPLE	DALI (-) : PINK
EcoSystem DALI (+) : PURPLE	EcoSystem DALI (-) : PINK
HOT : BLACK	
NEUTRAL : WHITE	
GROUND : GREEN	
CONSTANT HOT (EM) : RED	



5) Install Intermediate and End fixtures, secure together with bolts.



Install Bolt & Nut to both sides until snug



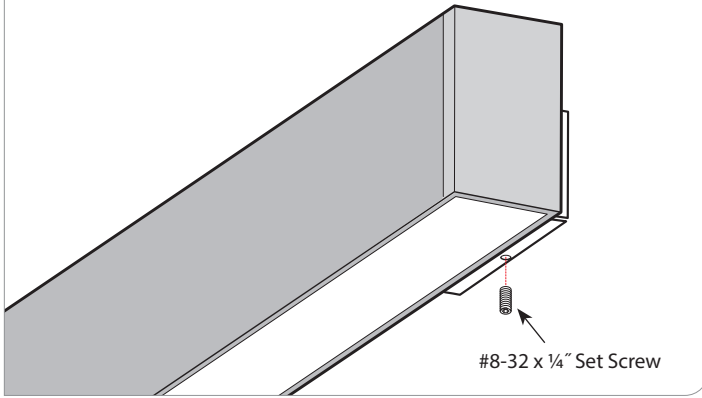
BPRO2: 1x BOLT

WARNING: Ground fixture in accordance with local and national electrical codes. Failure to do so may result in serious personal injury. Fixture Installations should ONLY be done by a qualified licensed electrical professional.

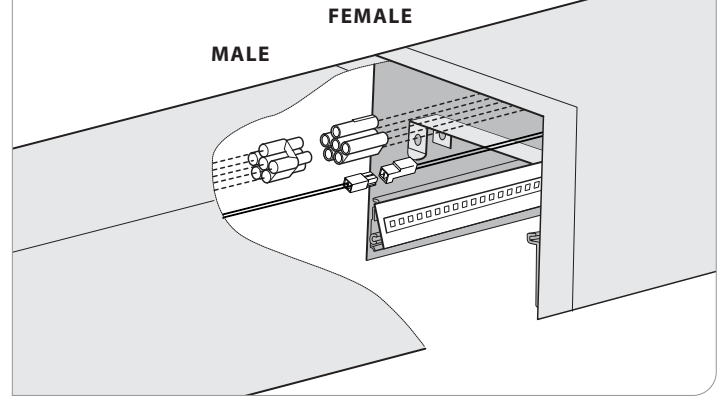


WALL SPACER

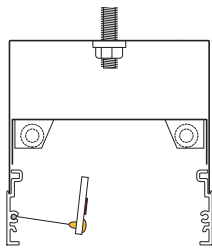
6) Secure all fixtures to brackets with included set screws.



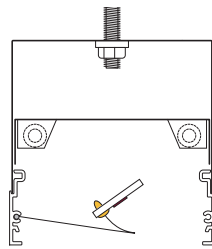
7) Make electrical and dimming harness connections.



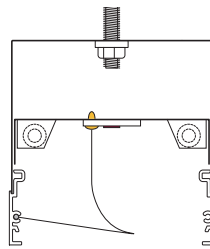
8) Use appropriate holes to attach screws to end stiffener. LED assembly should be relatively flush with end of extrusion/body when installed correctly.



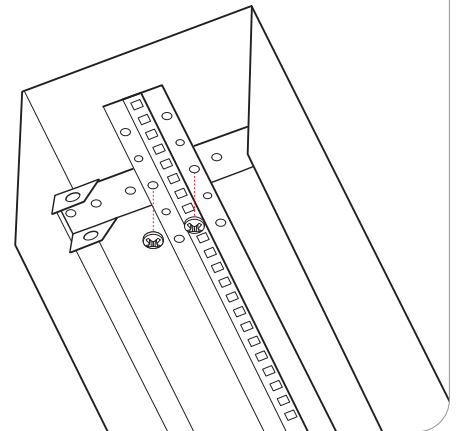
1. REMOVE LED ASSEMBLY



2. ROTATE LED ASSEMBLY

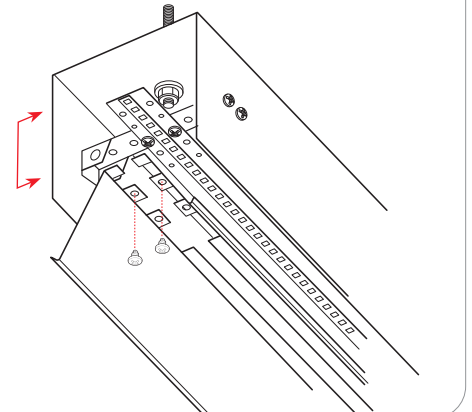
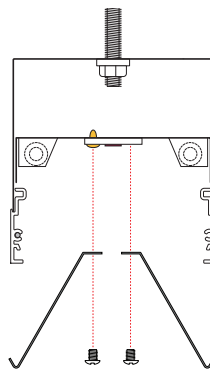
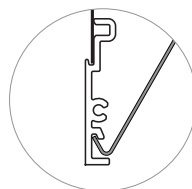


3. INSERT LED ASSEMBLY AGAINST STIFFENER



9) Install reflectors to fixture by attaching them to LED assembly using screws. Reflectors should be flush with end of LED assembly. Tuck wiring behind first installed reflector before installing the second.

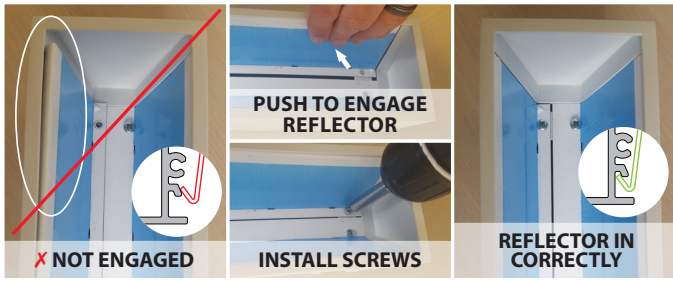
Reflectors should be flush with end of LED assembly.



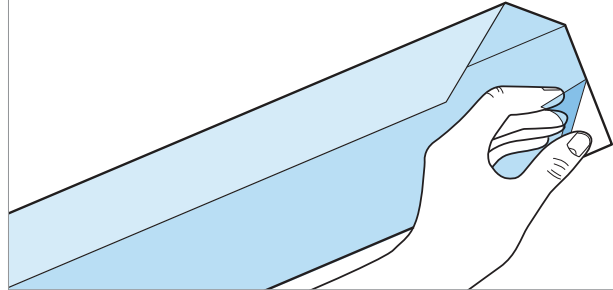
WARNING: Ground fixture in accordance with local and national electrical codes. Failure to do so may result in serious personal injury. Fixture Installations should ONLY be done by a qualified licensed electrical professional.



10) Snap reflectors into place.

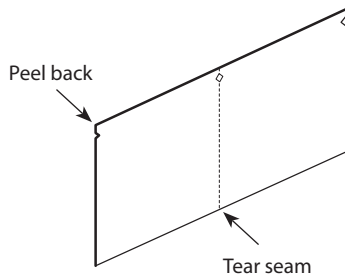


11) Peel blue protective covering off reflectors.

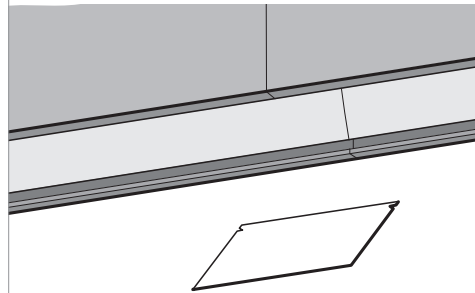


WALL SPACER

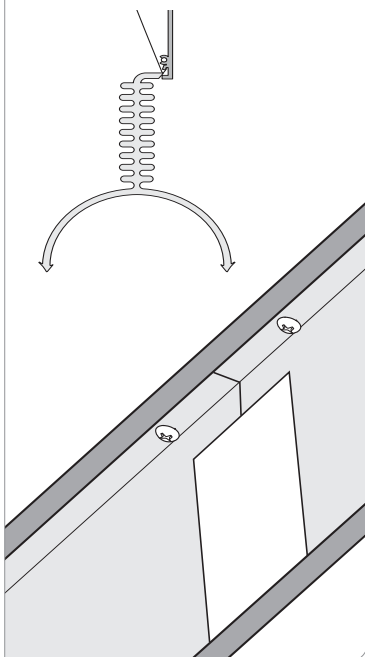
12a) Tear seam reflector at perforation. Peel film to reveal adhesive.



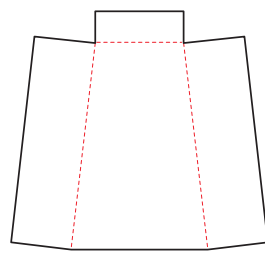
12b) Insert seam reflector under brake.



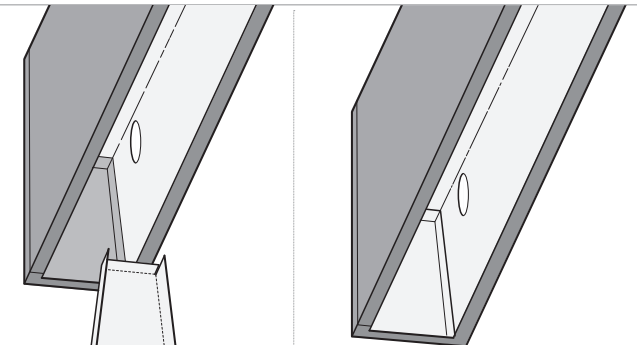
12c) Secure the seam reflector.



13)



FOLD END REFLECTORS AT PERFORATIONS



Align folded reflector with end cap interior.

Install end reflector so it covers the seam between the end cap and reflector

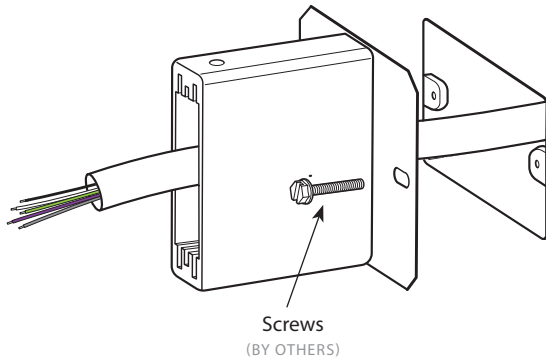
14) Install Lens (see page 14).

WARNING: Ground fixture in accordance with local and national electrical codes. Failure to do so may result in serious personal injury. Fixture Installations should ONLY be done by a qualified licensed electrical professional.

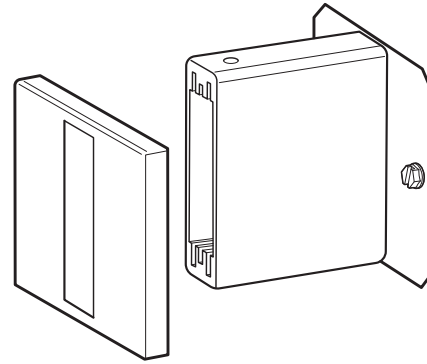


WALL BRACKET

- 1)** Mount brackets to J Box (and blocking) or structure. Pull power cord through bracket.

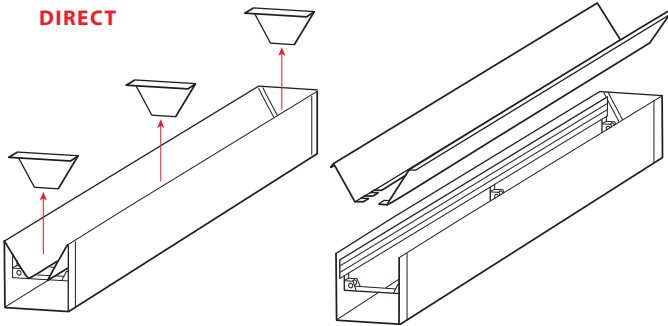


- 2)** Slide canopy over and flush to the wall, attach in place with set screws provided

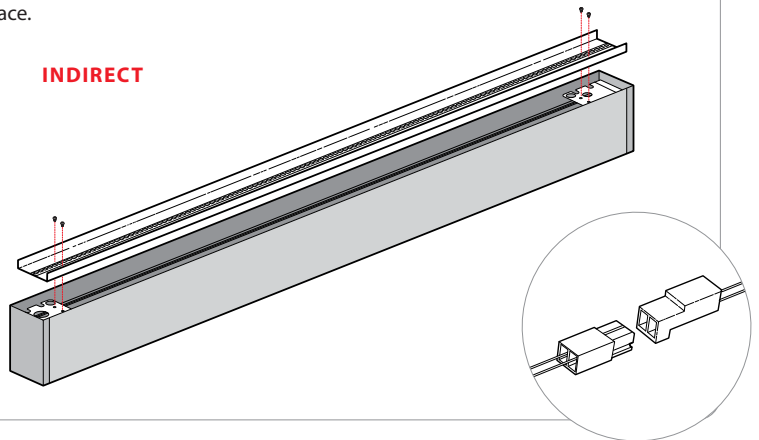


- 3)** Remove Cardboard Inserts. Remove Reflectors. Leave LED assembly in place.

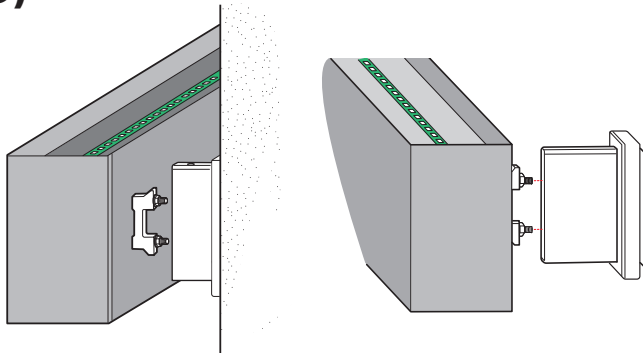
DIRECT



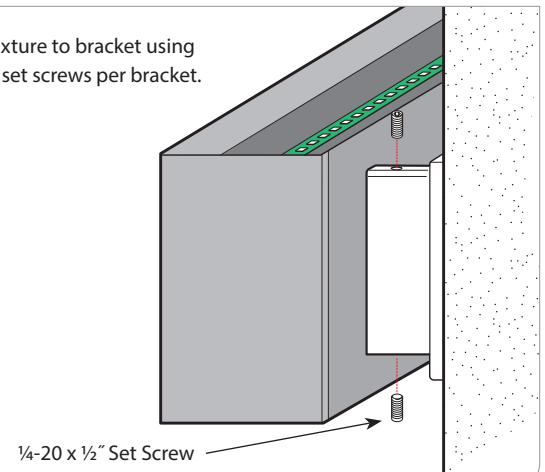
INDIRECT



- 5)** Insert cleats into Wall Bracket.



- 6)** Secure fixture to bracket using (2) 1/4-20 set screws per bracket.



WARNING: Ground fixture in accordance with local and national electrical codes. Failure to do so may result in serious personal injury. Fixture Installations should ONLY be done by a qualified licensed electrical professional.



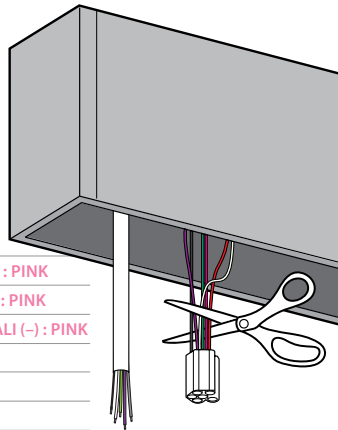
WALL BRACKET

7) Cut and strip connector. Make all wiring connections (see table).

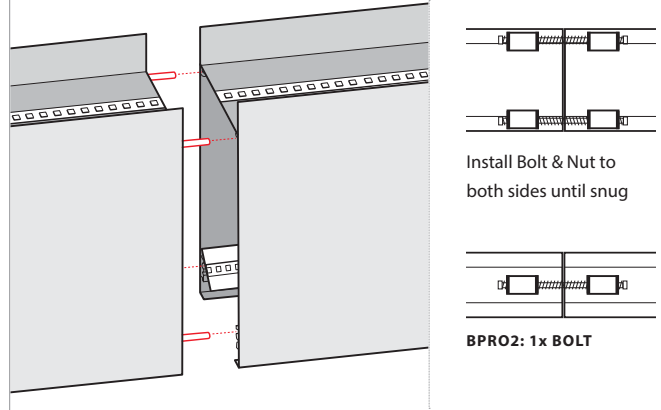
NOTE: for rows to cut off harness lead, individuals are just bare wires

WIRING:

0-10V (+) : PURPLE	0-10V (-) : PINK
DALI (+) : PURPLE	DALI (-) : PINK
EcoSystem DALI (+) : PURPLE	EcoSystem DALI (-) : PINK
HOT : BLACK	
NEUTRAL : WHITE	
GROUND : GREEN	
CONSTANT HOT (EM) : RED	

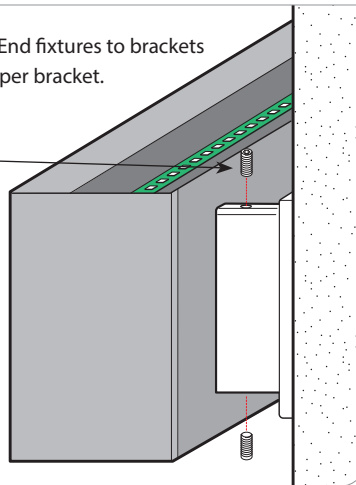


8) Install Intermediate and End fixtures, secure together with bolts

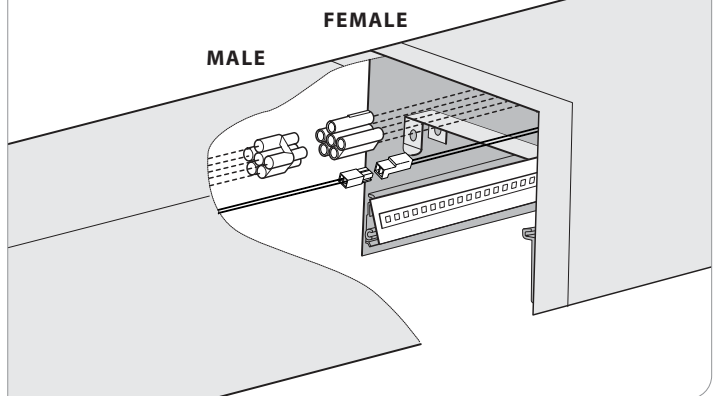


9) Secure Intermediate and End fixtures to brackets using (2) 1/4-20 set screws per bracket.

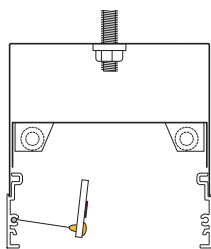
1/4-20 x 1/2" Set Screw



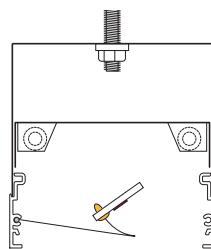
10) Make electrical and dimming harness connections.



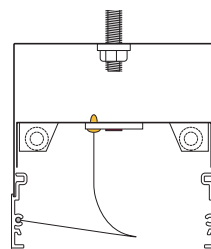
11) Use appropriate holes to attach screws to end stiffener. LED assembly should be relatively flush with end of extrusion/body when installed correctly.



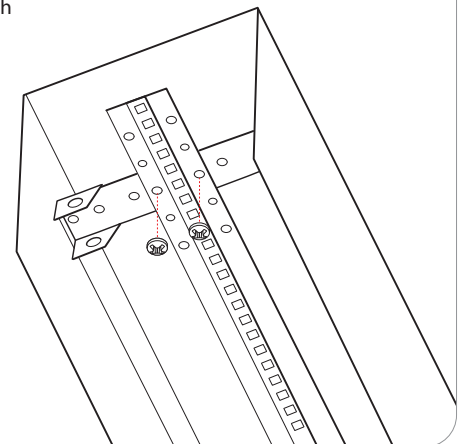
1. REMOVE LED ASSEMBLY



2. ROTATE LED ASSEMBLY



3. INSERT LED ASSEMBLY AGAINST STIFFENER

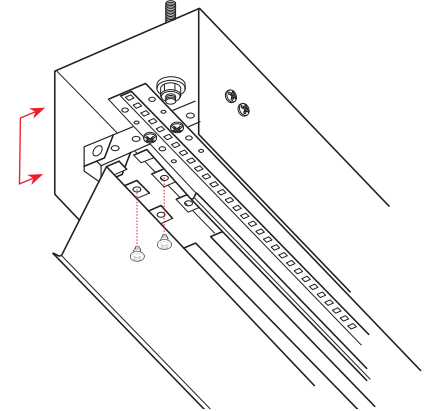
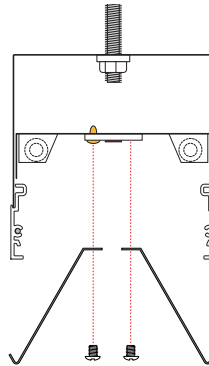
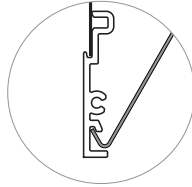


WARNING: Ground fixture in accordance with local and national electrical codes. Failure to do so may result in serious personal injury. Fixture Installations should ONLY be done by a qualified licensed electrical professional.

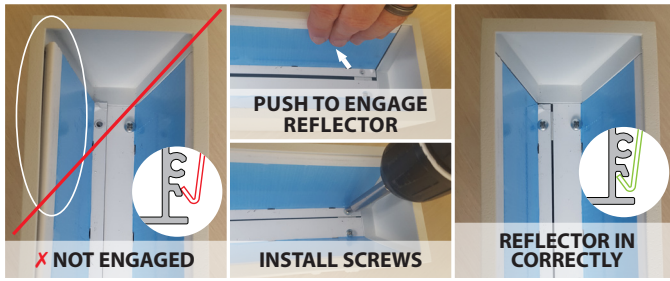


12) Install reflectors to fixture by attaching them to LED assembly using screws. Reflectors should be flush with end of LED assembly. Tuck wiring behind first installed reflector before installing the second.

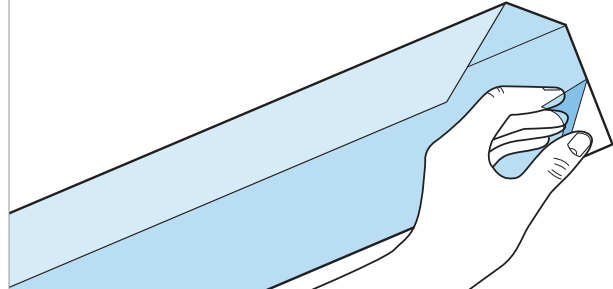
Reflectors should be flush with end of LED assembly.



13) Snap reflectors into place.



14) Peel blue protective covering off reflectors.



WARNING: Ground fixture in accordance with local and national electrical codes. Failure to do so may result in serious personal injury. Fixture Installations should ONLY be done by a qualified licensed electrical professional.



WALL BRACKET

15a) Tear seam reflector at perforation.
Peel film to reveal adhesive.

Peel back

Tear seam

15b) Insert seam reflector under brake.

ADHESIVE SIDE

REFLECTIVE SIDE

15c) Secure the seam reflector.

FOLD END REFLECTORS AT PERFORATIONS

16)

FOLD END REFLECTORS AT PERFORATIONS

Align folded reflector with end cap interior.

Install end reflector so it covers the seam between the end cap and reflector

17) Install Lens (see page 14).

WARNING: Ground fixture in accordance with local and national electrical codes. Failure to do so may result in serious personal injury. Fixture Installations should ONLY be done by a qualified licensed electrical professional.



LENS INSTALLATION

⚠ ENERGIZE ROWS TO ENSURE ALL LEDS ARE WORKING BEFORE INSTALL **👤 LENS REQUIRES TWO PEOPLE TO INSTALL**

LENS ORIENTATION

SAL – Satin lens has both sides the same, reversible, no orientation

BTW – Batwing shiny side UP, matte frosted side DOWN.

MGZ/WWF/WWG/PFL – Wall Wash and Perimeter lenses, ribbed side UP (they can be seen and felt).

NOTE: WWG and PFL are the same with opposite orientation

Stickers indicate WALL and ROOM sides, but the lens also has engraving indicating each as shown.

RECOMMENDED: Start lens installation from LEFT to RIGHT.

START

INTERMEDIATE

END

LENS INSTALLATION — IF ALL FIXTURES ARE ALREADY INSTALLED

1) Measure 18" from end cap. Using a pencil, place a small mark on the fixture.

2) Make sure lens is square.

3) Install tape strip **TIGHTLY** approximately 16" from start.

TIGHT
tape strip

4) Insert lens into lens tool, then place just before **TIGHT** tape strip.

FOR BPRO2-REG3

Install clamp before inserting into fixture. Once installed in fixture, remove clamp and proceed to step 5.

→ Lens tool with clamp installed into fixture → Clamp removed

WARNING: Ground fixture in accordance with local and national electrical codes. Failure to do so may result in serious personal injury. Fixture Installations should ONLY be done by a qualified licensed electrical professional.



5) Install **LOOSE** tape strip about 12" from start to hold lens parallel to fixture (easier to pull).

6) Pull lens through channel with fingers or non-marring pliers.

NOTE: Hold lens roll near ceiling, close to horizontal with fixture.

7) Use tape strip to pull lens into end cap.

END OF ROW

8) Make sure lens is tucked inside end cap.

END OF ROW

9) At start of fixture, remove tape strips and as a rough cut trim lens 1" past end cap.

! MAKE SURE LENS IS TUCKED INTO END CAP AT END OF ROW AS SHOWN IN STEP 8

10) Mark lens with pencil where you made the mark 18" from start of row inside fixture.

! MAKE SURE LENS IS TUCKED INTO END CAP AT END OF ROW AS SHOWN IN STEP 8

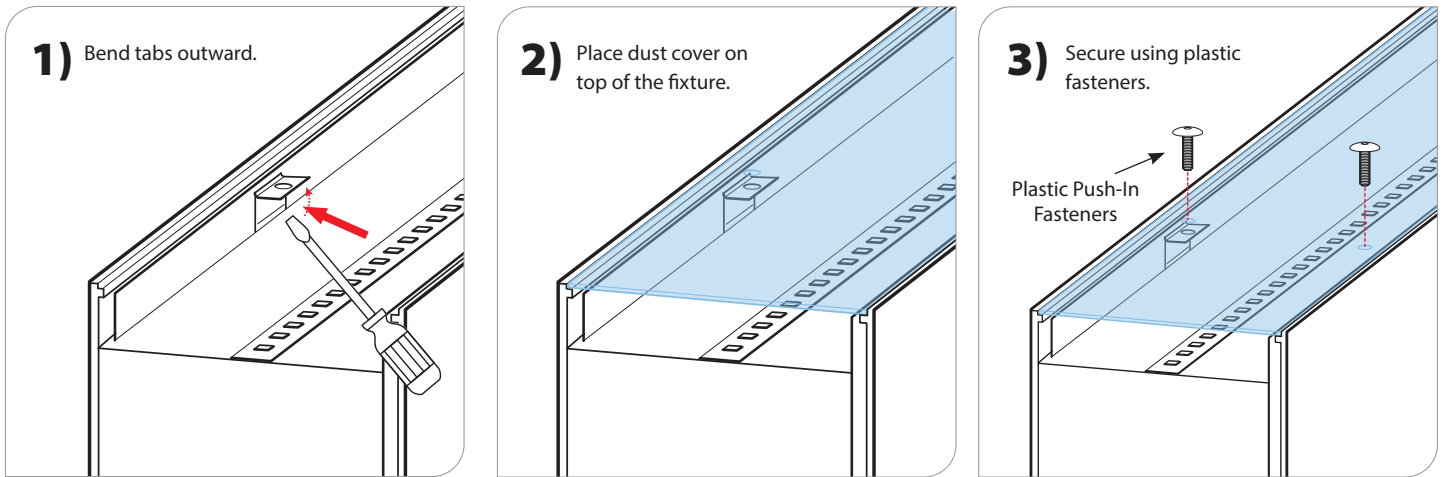
11) Measure 18 1/16" from mark on lens to near end of lens. Mark and trim lens.

12) Slide lens tool end cap to insert remaining lens, using other end of tool or fingers to insert at end cap.

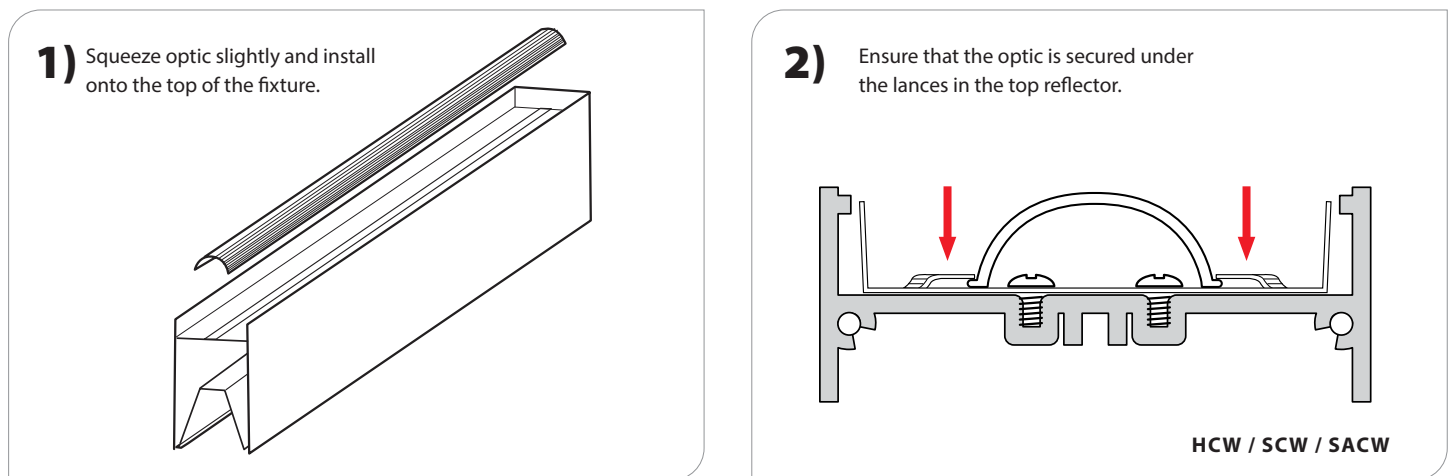
WARNING: Ground fixture in accordance with local and national electrical codes. Failure to do so may result in serious personal injury. Fixture Installations should **ONLY** be done by a qualified licensed electrical professional.



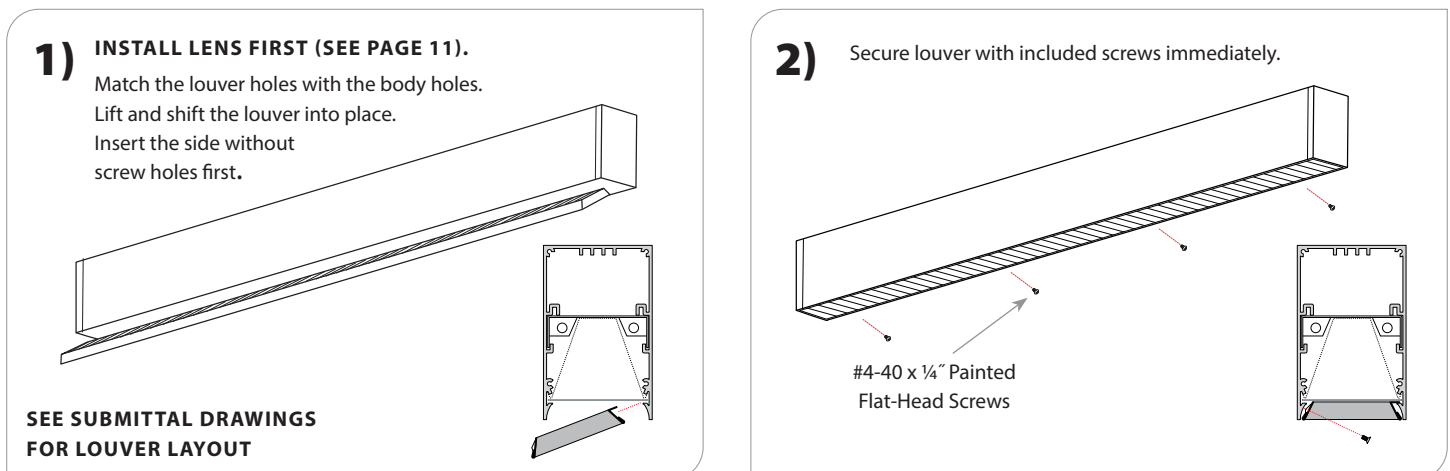
DUST COVER



INDIRECT OPTIC



LOUVERS

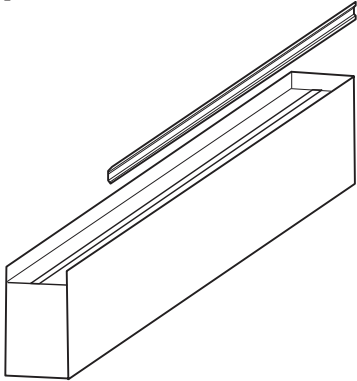


WARNING: Ground fixture in accordance with local and national electrical codes. Failure to do so may result in serious personal injury. Fixture Installations should ONLY be done by a qualified licensed electrical professional.

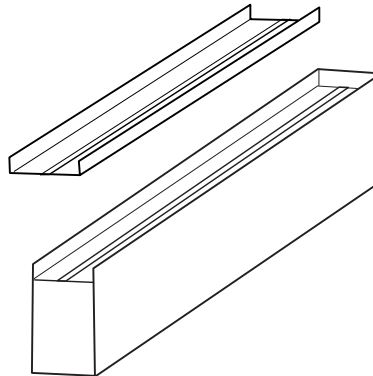


TOP GLOW — INDIRECT ONLY

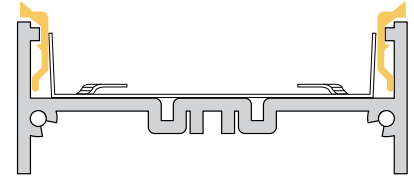
1) Install 1 of the top glow profiles.



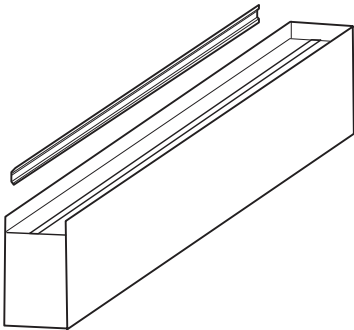
2) Place the top reflector and LED assembly onto the fixture.



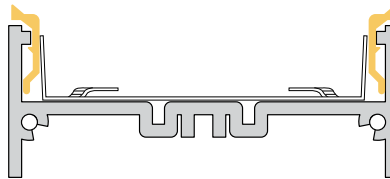
3) Slide the top reflector and LED assembly to the side to allow clearance for the other top glow profile.



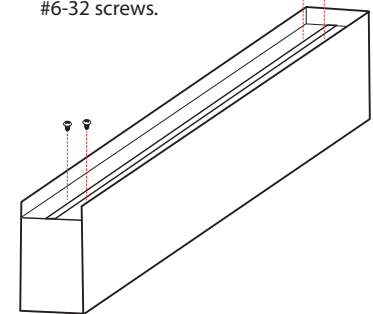
4) Install the other top glow profile.



5) Center the top reflector and LED assembly to secure the top glow profiles.



6) Fasten the top reflector and LED assembly to the fixture using the included #6-32 screws.

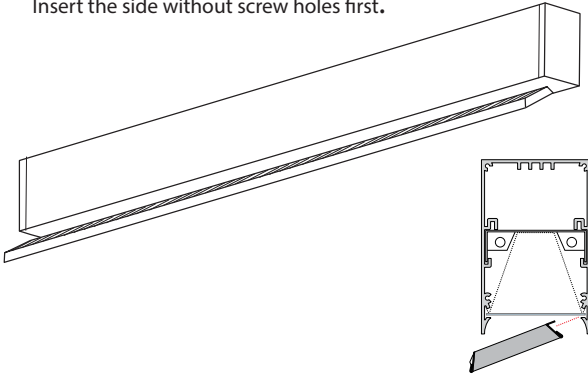


WARNING: Ground fixture in accordance with local and national electrical codes. Failure to do so may result in serious personal injury. Fixture Installations should ONLY be done by a qualified licensed electrical professional.

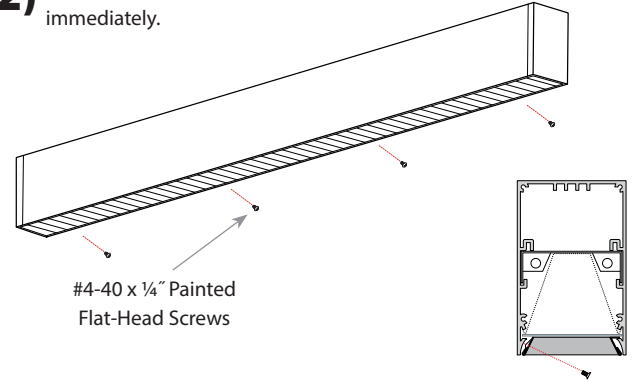


LOUVERS

- 1) Lift and shift the louver into place.
Insert the side without screw holes first.



- 2) Secure louver with included screws immediately.

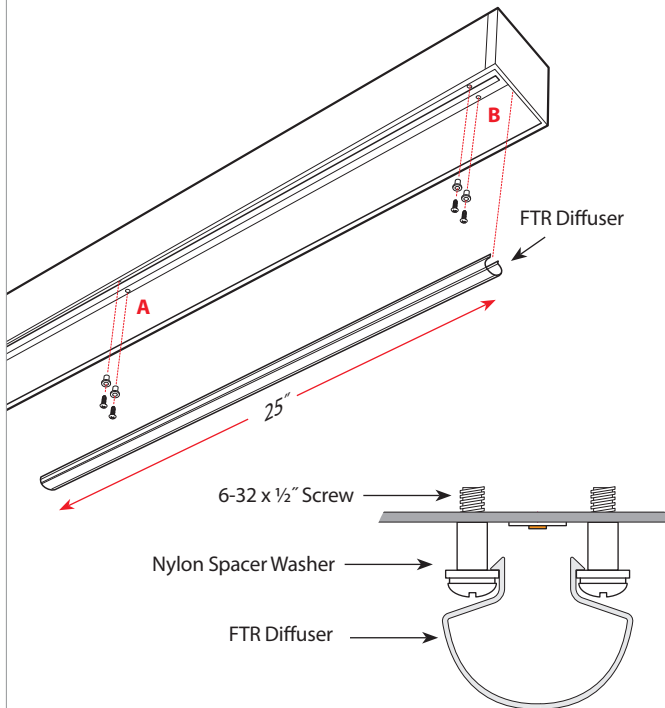


FTR END OF ROW FEATHERING

STANDARD FIXTURES

Before installing lens, replace the 1/4" screws at locations **A** and **B** with 1/2" screws, placing the provided spacer under the screws as shown.

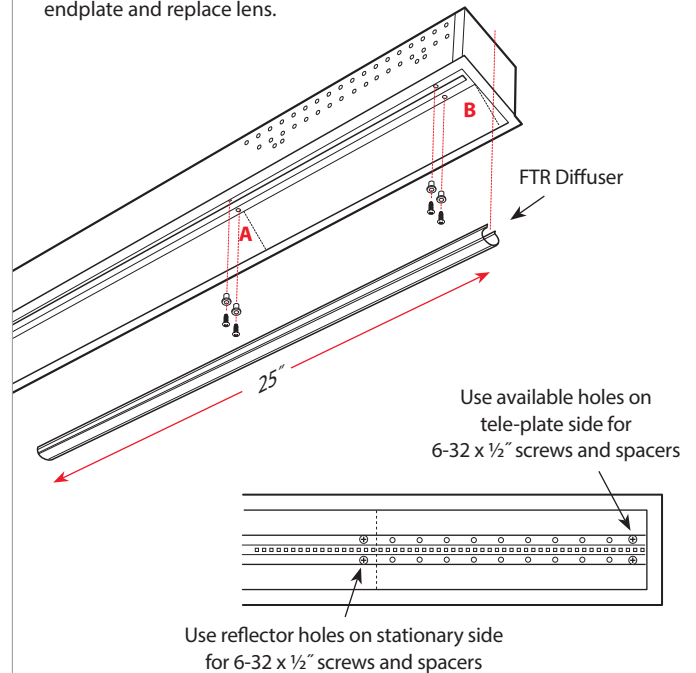
With screws and spacers installed, snap the FTR Diffuser over the LEDs at locations **A** and **B**, making sure that the hooks in the diffuser catch on the lip of the spacers. Push the FTR diffuser against the fixture endplate and install lens.



FILLER FIXTURES

After cutting the filler body to the desired length, at location **A**, replace the 1/4" screws with 1/2" screws, placing the provided spacer under the screws as shown. At location **B**, use available holes in tele-plate to attach screws and spacers.

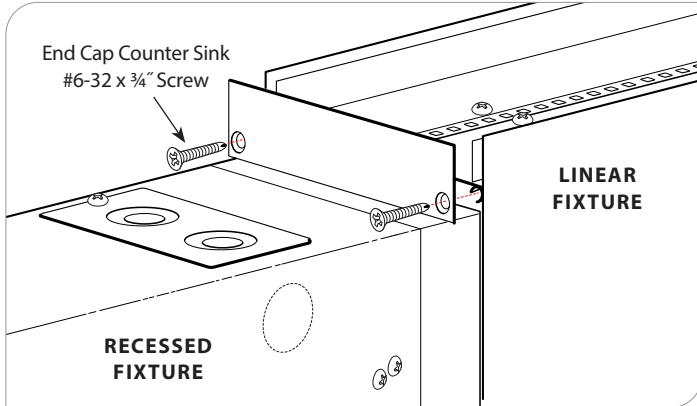
With screws and spacers installed, snap the FTR Diffuser over the LEDs at locations **A** and **B**, making sure that the hooks in the diffuser catch on the lip of the spacers. Push the FTR diffuser against the fixture endplate and replace lens.



WARNING: Ground fixture in accordance with local and national electrical codes. Failure to do so may result in serious personal injury. Fixture Installations should ONLY be done by a qualified licensed electrical professional.



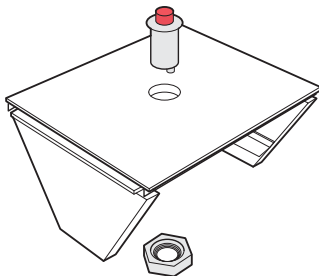
LRT (LINEAR TO RECESSED) DETAIL



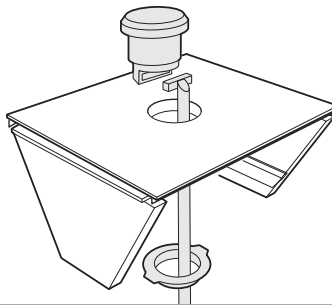
ACCESSORY PLATE & SENSOR INSTALLATION

SENSORS

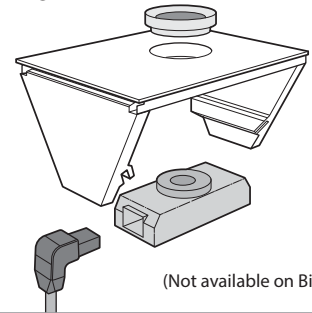
Iota Light/Switch



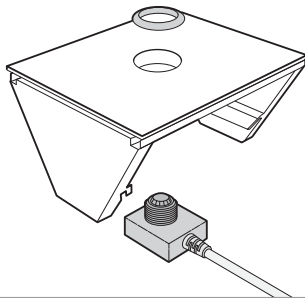
Enlighted Micro Sensor



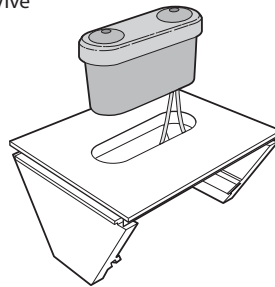
Acuity nLight



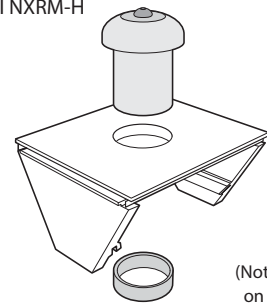
Wattstopper FS-205



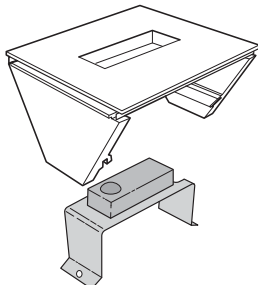
Lutron Vive



Hubbell NXRM-H



Hubbell NXSMP-SMI



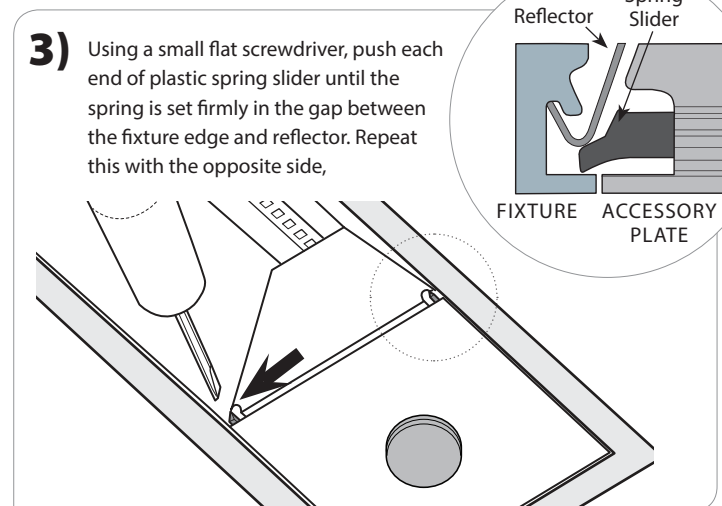
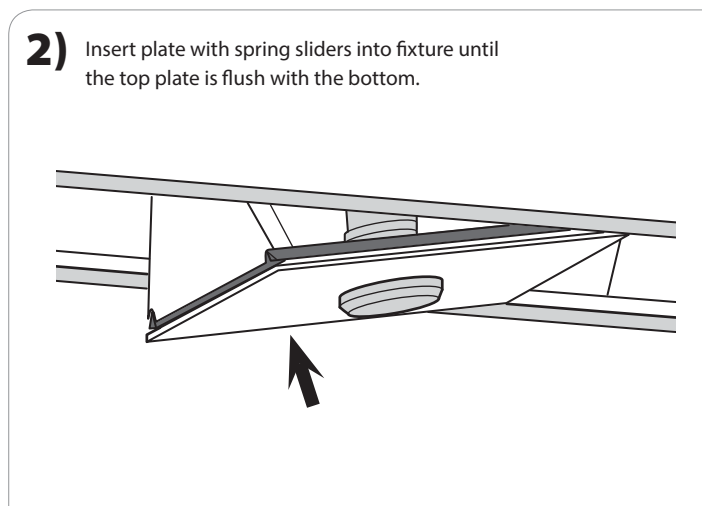
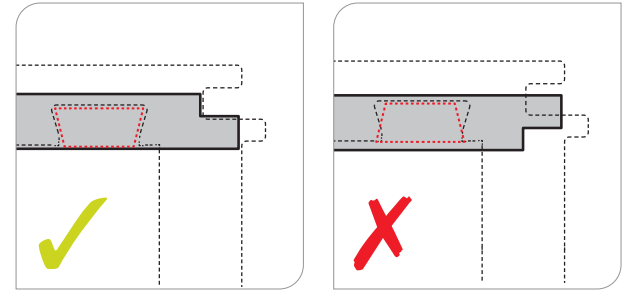
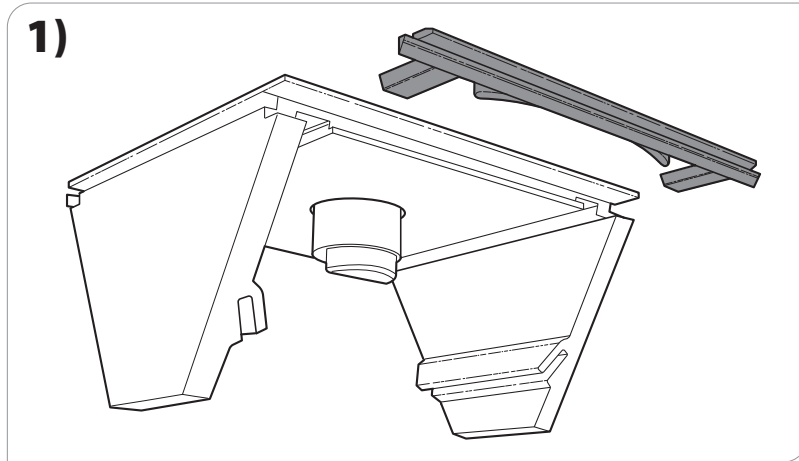
WARNING: Ground fixture in accordance with local and national electrical codes. Failure to do so may result in serious personal injury. Fixture Installations should ONLY be done by a qualified licensed electrical professional.



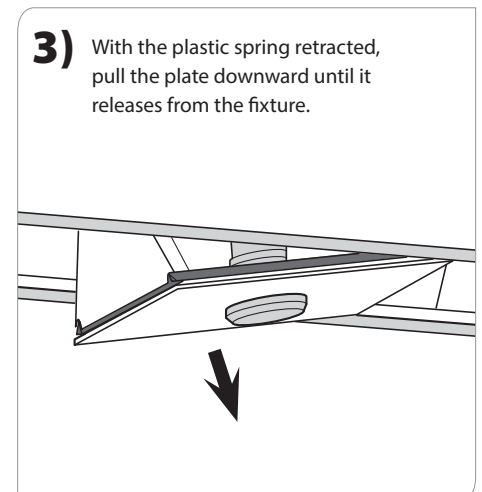
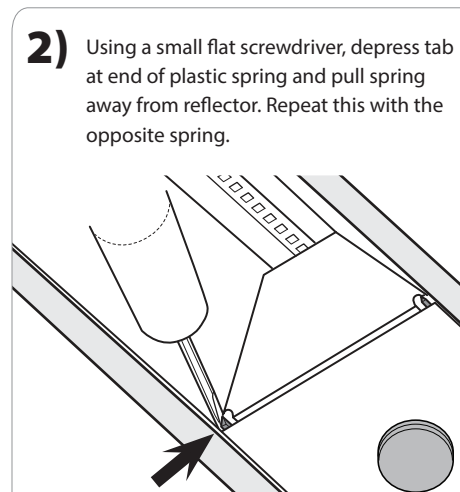
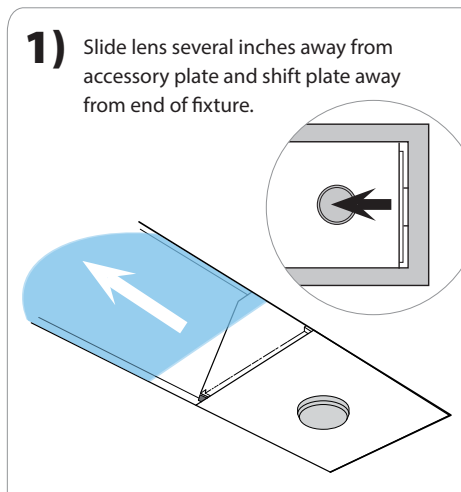
ACCESSORY PLATE ASSEMBLY

Insert slider spring tabs into dovetail slots in the bottom of plate

Spring tabs must be oriented to match dovetails in plate



ACCESSORY PLATE REMOVAL



WARNING: Ground fixture in accordance with local and national electrical codes. Failure to do so may result in serious personal injury. Fixture Installations should ONLY be done by a qualified licensed electrical professional.