

BionicPro | Linear

Surface Mount

INSTALLATION INSTRUCTIONS



PRUDENTIAL LTG.

PRULITE.COM 213.746.0360

PART	PART NO.	DESCRIPTION
	100-00374-07	2" —
	100-00375-07	3" —
	100-00376-10	4" —
	100-00377-07	5" —
		Louver
	100-00353-14	#4-40 x 1/4" Flat Head Screw (Painted)
	100-00462-10	2" — BionicPro Lens Tool — White
	100-00464-10	3" — BionicPro Lens Tool — Natural
	100-00465-10	4" — BionicPro Lens Tool — Black
	100-00463-10	5" — BionicPro Lens Tool — White
	100-00040-20	Tape Strips

PART	PART NO.	DESCRIPTION
	100-00283-14	1/4-20 x 5.0 Round Head Combination Drive Machine Screw
	100-00255-14	1/4-20 KEPS Hex Nut
	100-00486-10	BionicPro Seam Reflector

ENDPLATE REFLECTOR:

	2" —	100-00482-10	FOR NON-WHITE FIXTURES ONLY
	3" —	100-00483-10	
	4" —	100-00484-10	
	5" —	100-00485-10	

LRT (LINEAR TO RECESSED TRANSITION PLATES):

	Direct to REC/PER	Direct/Indirect to REC/PER
	2" — 135770	135774
	3" — 135771	135775
	4" — 135772	135776
	5" — 135773	135777

FTR (FEATHERING DIFFUSER):

	100-00843-10	Diffuser
	100-00374-14	Nylon Spacer Washer
	100-00182-14	6-32 x 1/2" Screw

LENSES:

	SAL	BTW	WWF	PFL/WWG	NGZ	MGZ	WGZ
	2" — 100-00966-18	100-00961-18	100-00973-18	100-00978-18	100-00983-18	100-01004-18	100-00988-18
	3" — 100-00967-18	100-00962-18	100-00974-18	100-00979-18	100-00984-18	100-01005-18	100-00989-18
	4" — 100-00968-18	100-00963-18	100-00975-18	100-00980-18	100-00985-18	100-01006-08	100-00990-18
	5" — 100-00969-18	100-00964-18	100-00976-18	100-00981-18	100-00986-18	100-01007-18	100-00991-18

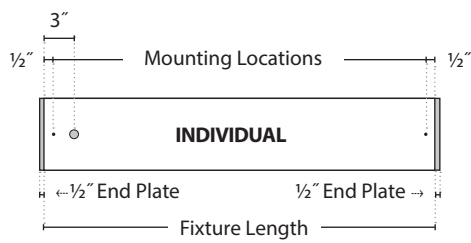
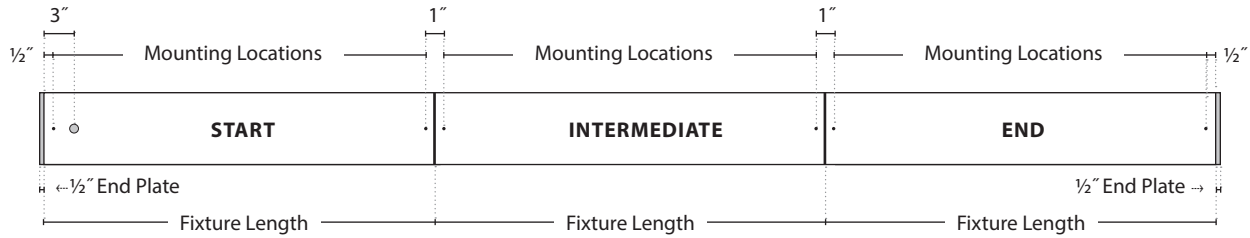
WARNING: Ground fixture in accordance with local and national electrical codes. Failure to do so may result in serious personal injury. Fixture Installations should ONLY be done by a qualified licensed electrical professional.



SURFACE MOUNTING LOCATIONS

SURFACE MOUNT

○ 7/8" POWER FEED

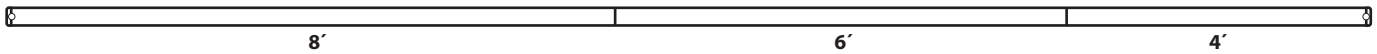


	FIXTURE LENGTHs	MOUNTING locations
2'	24"	23"
3'	36"	35"
4'	48"	47"
5'	60"	59"
6'	72"	71"
7'	84"	83"
8'	96"	95"

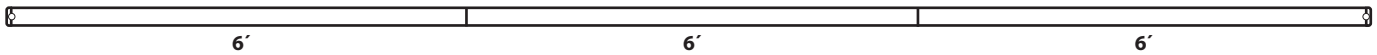
WARNING: Ground fixture in accordance with local and national electrical codes. Failure to do so may result in serious personal injury. Fixture Installations should ONLY be done by a qualified licensed electrical professional.



18' STANDARD ROW LENGTH:



18' SYMMETRIC ROW LENGTH (SRL):



STANDARD

ROW LENGTH		
9'	5+4	5FT STR + 4FT END
10'	6+4	6FT STR + 4FT END
11'	7+4	7FT STR + 4FT END
12'	8+4	8FT STR + 4FT END
13'	8+5	8FT STR + 5FT END
14'	8+6	8FT STR + 6FT END
15'	8+7	8FT STR + 7FT END
16'	8+8	8FT STR + 8FT END
17'	8+5+4	8FT STR + 5FT INT + 4FT END
18'	8+6+4	8FT STR + 6FT INT + 4FT END
19'	8+7+4	8FT STR + 7FT INT + 4FT END
20'	8+8+4	8FT STR + 8FT INT + 4FT END
21'	8+8+5	8FT STR + 8FT INT + 5FT END
22'	8+8+6	8FT STR + 8FT INT + 6FT END
23'	8+8+7	8FT STR + 8FT INT + 7FT END
24'	8+8+8	8FT STR + 8FT INT + 8FT END
25'	8+8+5+4	8FT STR + 8FT INT + 5FT INT + 4FT END
26'	8+8+6+4	8FT STR + 8FT INT + 6FT INT + 4FT END
27'	8+8+7+4	8FT STR + 8FT INT + 7FT INT + 4FT END
28'	8+8+8+4	8FT STR + (2) 8FT INT + 4FT END
29'	8+8+8+5	8FT STR + (2) 8FT INT + 5FT END
30'	8+8+8+6	8FT STR + (2) 8FT INT + 6FT END
31'	8+8+8+7	8FT STR + (2) 8FT INT + 7FT END
32'	8+8+8+8	8FT STR + (2) 8FT INT + 8FT END
33'	8+8+8+5+4	8FT STR + (2) 8FT INT + 5FT INT + 4FT END
34'	8+8+8+6+4	8FT STR + (2) 8FT INT + 6FT INT + 4FT END
35'	8+8+8+7+4	8FT STR + (2) 8FT INT + 7FT INT + 4FT END
36'	8+8+8+8+4	8FT STR + (3) 8FT INT + 4FT END
37'	8+8+8+8+5	8FT STR + (3) 8FT INT + 5FT END
38'	8+8+8+8+6	8FT STR + (3) 8FT INT + 6FT END
39'	8+8+8+8+7	8FT STR + (3) 8FT INT + 7FT END
40'	8+8+8+8+8	8FT STR + (3) 8FT INT + 8FT END
41'	8+8+8+8+5+4	8FT STR + (3) 8FT INT + 5FT INT + 4FT END
42'	8+8+8+8+6+4	8FT STR + (3) 8FT INT + 6FT INT + 4FT END
43'	8+8+8+8+7+4	8FT STR + (3) 8FT INT + 7FT INT + 4FT END
44'	8+8+8+8+8+4	8FT STR + (4) 8FT INT + 4FT END
45'	8+8+8+8+8+5	8FT STR + (4) 8FT INT + 5FT END
46'	8+8+8+8+8+6	8FT STR + (4) 8FT INT + 6FT END
47'	8+8+8+8+8+7	8FT STR + (4) 8FT INT + 7FT END
48'	8+8+8+8+8+8	8FT STR + (4) 8FT INT + 8FT END
49'	8+8+8+8+8+5+4	8FT STR + (4) 8FT INT + 5FT INT + 4FT END
50'	8+8+8+8+8+6+4	8FT STR + (4) 8FT INT + 6FT INT + 4FT END

SYMMETRICAL

ROW LENGTH		
9'	3+3+3	3FT STR + 3FT INT + 3FT END
10'	5+5	5FT STR + 5FT END
11'	4+3+4	4FT STR + 3FT INT + 4FT END
12'	6+6	6FT STR + 6FT END
13'	4+5+4	4FT STR + 5FT INT + 4FT END
14'	7+7	7FT STR + 7FT END
15'	5+5+5	5FT STR + 5FT INT + 5FT END
16'	8+8	8FT STR + 8FT END
17'	6+5+6	6FT STR + 5FT INT + 6FT END
18'	6+6+6	6FT STR + 6FT INT + 6FT END
19'	6+7+6	6FT STR + 7FT INT + 6FT END
20'	8+4+8	8FT STR + 4FT INT + 8FT END
21'	8+5+8	8FT STR + 5FT INT + 8FT END
22'	8+6+8	8FT STR + 6FT INT + 8FT END
23'	8+7+8	8FT STR + 7FT INT + 8FT END
24'	8+8+8	8FT STR + 8FT INT + 8FT END
25'	6+4+5+4+6	6FT STR + 4FT INT + 5FT INT + 4FT INT + 6FT END
26'	8+5+5+8	8FT STR + (2) 5FT INT + 8FT END
27'	6+5+5+5+6	6FT STR + (3) 5FT INT + 6FT END
28'	8+6+6+8	8FT STR + (2) 6FT INT + 8FT END
29'	8+4+5+4+8	8FT STR + 4FT INT + 5FT INT + 4FT INT + 8FT END
30'	8+7+7+8	8FT STR + (2) 7FT INT + 8FT END
31'	8+5+5+5+8	8FT STR + (3) 5FT INT + 8FT END
32'	8+8+8+8	8FT STR + (2) 8FT INT + 8FT END
33'	8+6+5+6+8	8FT STR + 6FT INT + 5FT INT + 6FT INT + 8FT END
34'	8+6+6+6+8	8FT STR + 6FT INT + 6FT INT + 6FT INT + 8FT END
35'	8+6+7+6+8	8FT STR + 6FT INT + 7FT INT + 6FT INT + 8FT END
36'	8+8+4+8+8	8FT STR + 8FT INT + 4FT INT + 8FT INT + 8FT END
37'	8+8+5+8+8	8FT STR + 8FT INT + 5FT INT + 8FT INT + 8FT END
38'	8+8+6+8+8	8FT STR + 8FT INT + 6FT INT + 8FT INT + 8FT END
39'	8+8+7+8+8	8FT STR + 8FT INT + 7FT INT + 8FT INT + 8FT END
40'	8+8+8+8+8	8FT STR + (3) 8FT INT + 8FT END
41'	8+6+4+5+4+6+8	8FT STR + 6FT INT + 4FT INT + 5FT INT + 4FT INT + 6FT INT + 8FT END
42'	8+8+5+5+8+8	8FT STR + 8FT INT + (2) 5FT INT + 8FT INT + 8FT END
43'	8+6+5+5+5+6+8	8FT STR + 6FT INT + (3) 5FT INT + 6FT INT + 8FT END
44'	8+8+6+6+8+8	8FT STR + 8FT INT + (2) 6FT INT + 8FT INT + 8FT END
45'	8+8+4+5+4+8+8	8FT STR + 8FT INT + 4FT INT + 5FT INT + 4FT INT + 8FT INT + 8FT END
46'	8+8+7+7+8+8	8FT STR + 8FT INT + (2) 7FT INT + 8FT INT + 8FT END
47'	8+8+5+5+5+8+8	8FT STR + 8FT INT + (3) 5FT INT + 8FT INT + 8FT END
48'	8+8+8+8+8+8	8FT STR + (4) 8FT INT + 8FT END
49'	8+8+6+5+6+8+8	8FT STR + 8FT INT + 6FT INT + 5FT INT + 6FT INT + 8FT INT + 8FT END
50'	8+8+6+6+6+8+8	8FT STR + 8FT INT + (3) 6FT INT + 8FT INT + 8FT END

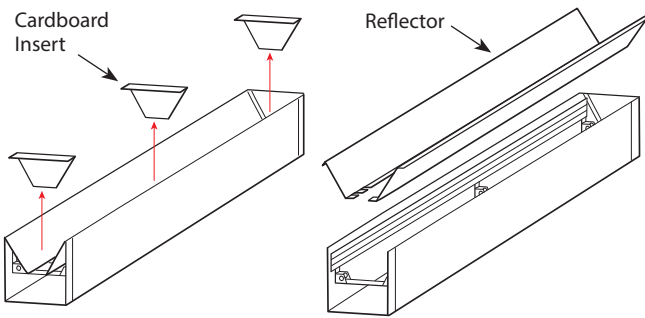




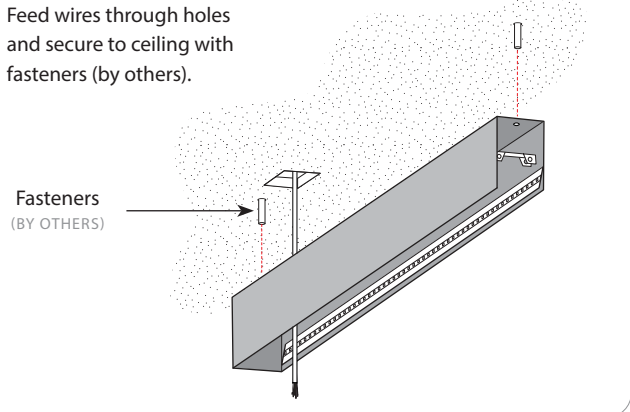
SURFACE MOUNT

REQUIRES TWO PEOPLE TO INSTALL

- 1)** Remove cardboard inserts and reflectors.
Leave LED assembly in place.

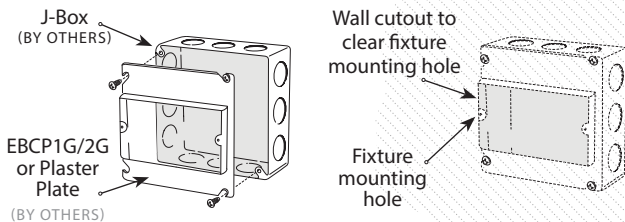


- 2)** Feed wires through holes and secure to ceiling with fasteners (by others).



**WITH 4" x 4" J BOXES
(STEP-DOWN PLASTER RING REQUIRED /
EBCP1G/2G OR PLASTER PLATE BY OTHERS)**

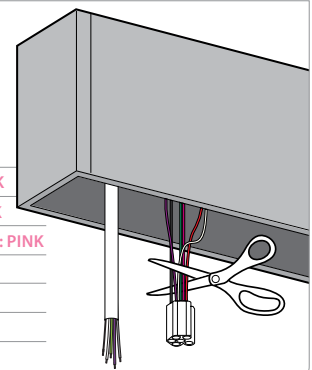
1. Recess J Box into wall with space for plaster ring to be flush with outer space.
2. Install plaster ring (by others) with #8 screws (by others).
3. Install wall or surface mount fixtures to plaster ring as specified.



- 3)** Make electrical connections.

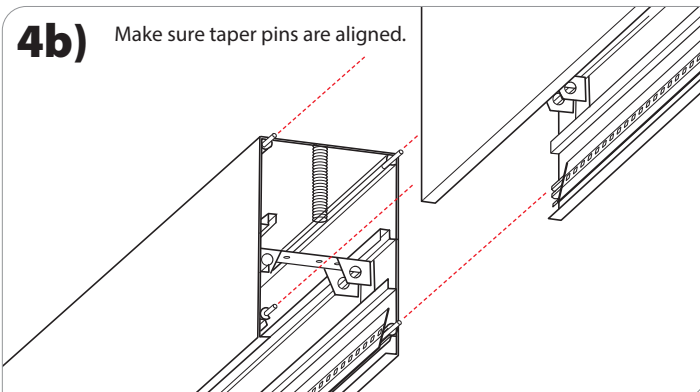
WIRING:

0-10V (+) : PURPLE	0-10V (-) : PINK
DALI (+) : PURPLE	DALI (-) : PINK
EcoSystem DALI (+) : PURPLE	EcoSystem DALI (-) : PINK
HOT : BLACK	
NEUTRAL : WHITE	
GROUND : GREEN	
CONSTANT HOT (EM) : RED	

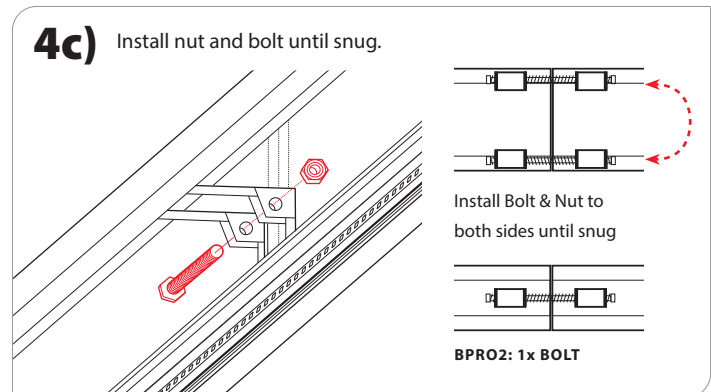


- 4a)** Install INTERMEDIATE & END fixtures.
Secure LOOSELY to ceiling with fasteners (by others).

- 4b)** Make sure taper pins are aligned.



- 4c)** Install nut and bolt until snug.

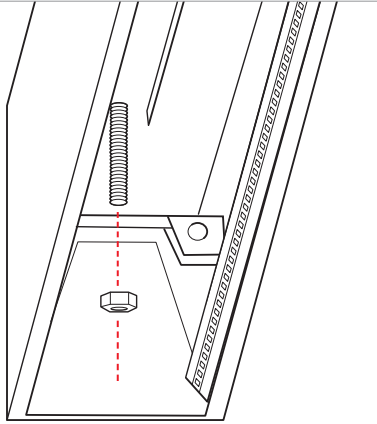


WARNING: Ground fixture in accordance with local and national electrical codes. Failure to do so may result in serious personal injury. Fixture Installations should ONLY be done by a qualified licensed electrical professional.

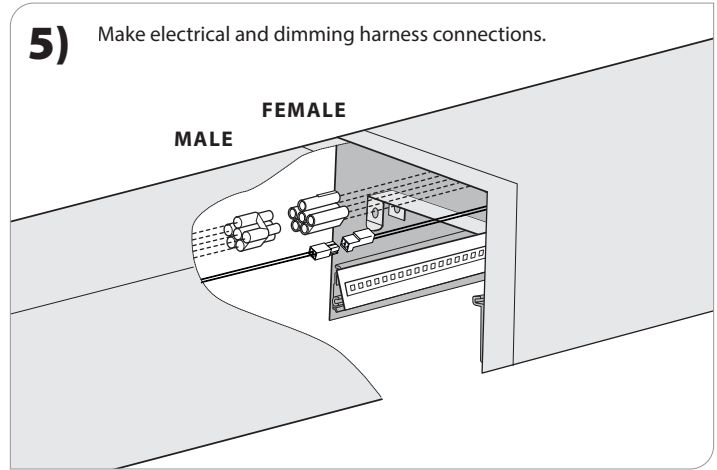


SURFACE MOUNT

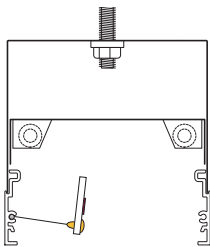
4d) Tighten fasteners.



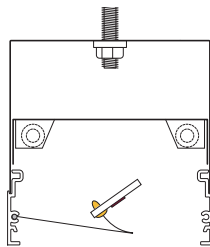
5) Make electrical and dimming harness connections.



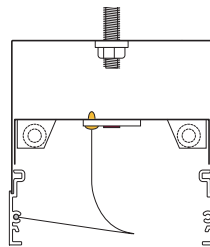
6) Use appropriate holes to attach screws to end stiffener. LED assembly should be relatively flush with end of extrusion/body when installed correctly.



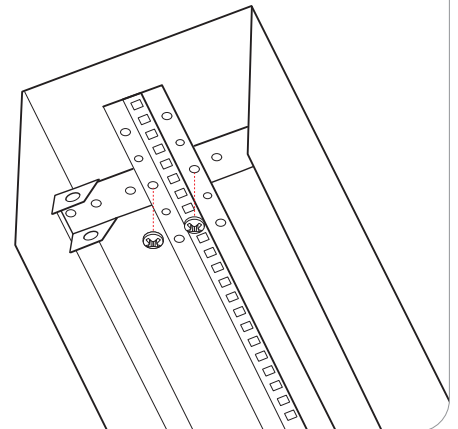
1. REMOVE LED ASSEMBLY



2. ROTATE LED ASSEMBLY

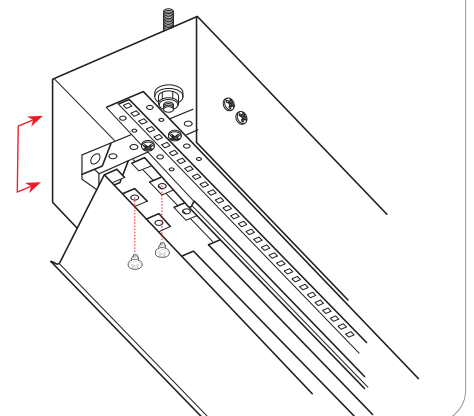
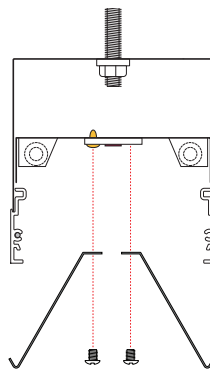
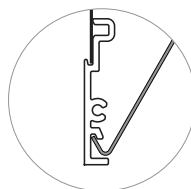


3. INSERT LED ASSEMBLY AGAINST STIFFENER



7) Install reflectors to fixture by attaching them to LED assembly using screws. Reflectors should be flush with end of LED assembly. Tuck wiring behind first installed reflector before installing the second.

Reflectors should be flush with end of LED assembly.



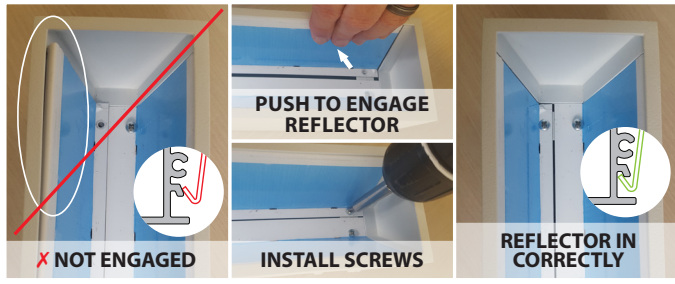
WARNING: Ground fixture in accordance with local and national electrical codes. Failure to do so may result in serious personal injury. Fixture installations should ONLY be done by a qualified licensed electrical professional.



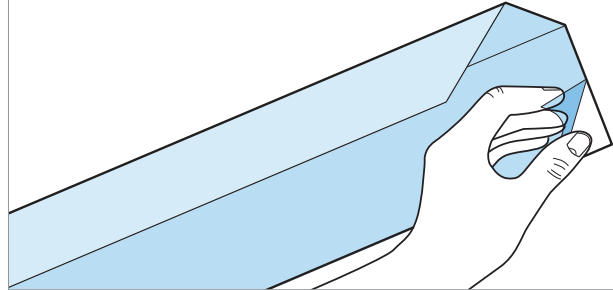
Prudential Ltg. reserves the right to change design specifications or materials without notice. Please visit prulite.com for most current data.
© 2019 All rights reserved. All products manufactured by Prudential, 1974 E 21st Street, Arcadia, CA 90058



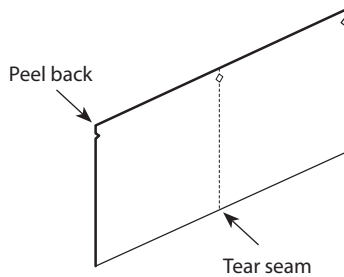
8) Snap reflectors into place.



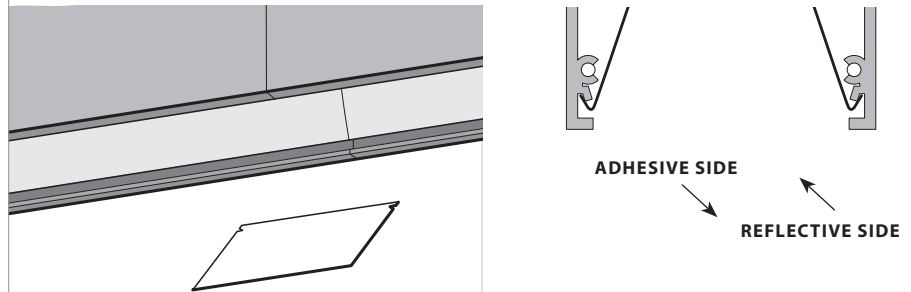
9) Peel blue protective covering off reflectors.



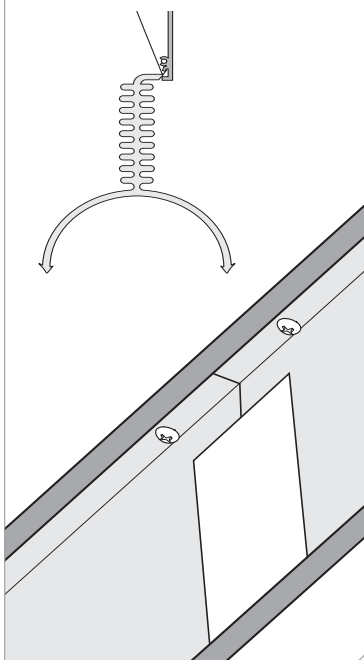
10a) Tear seam reflector at perforation. Peel film to reveal adhesive.



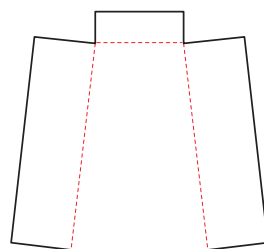
10b) Insert seam reflector under brake.



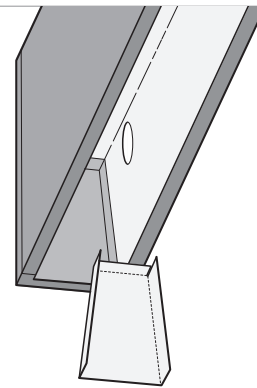
10c) Secure the seam reflector.



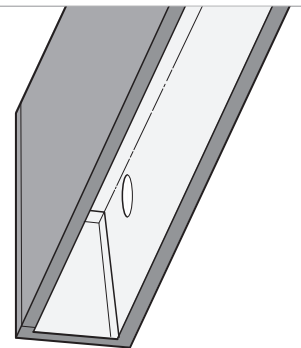
11)



FOLD END REFLECTORS
AT PERFORATIONS



Align folded reflector with
end cap interior.



Install end reflector so it
covers the seam between the
end cap and reflector

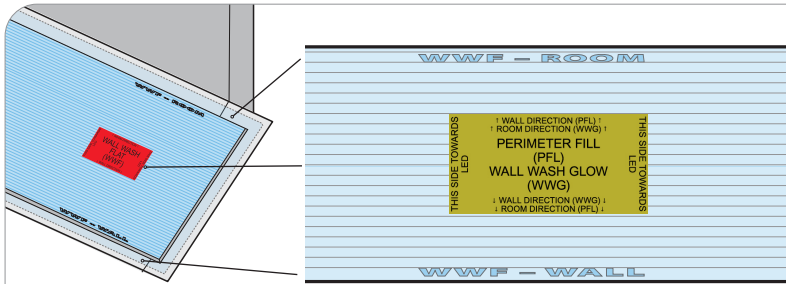
12) Install Lens (see page 7).

WARNING: Ground fixture in accordance with local and national electrical codes. Failure to do so may result in serious personal injury. Fixture Installations should ONLY be done by a qualified licensed electrical professional.



LENS INSTALLATION

⚠️ ENERGIZE ROWS TO ENSURE ALL LEDS ARE WORKING BEFORE INSTALL **👤 LENS REQUIRES TWO PEOPLE TO INSTALL**



LENS ORIENTATION

SAL – Satin lens has both sides the same, reversible, no orientation

BTW – Batwing shiny side UP, matte frosted side DOWN.

MGZ/WWF/WWG/PFL – Wall Wash and Perimeter lenses, ribbed side UP (they can be seen and felt).

NOTE: WWG and PFL are the same with opposite orientation

Stickers indicate **WALL** and **ROOM** sides, but the lens also has engraving indicating each as shown.

RECOMMENDED: Start lens installation from **LEFT** to **RIGHT**.



LENS INSTALLATION — IF ALL FIXTURES ARE ALREADY INSTALLED

- 1)** Measure 18" from end cap. Using a pencil, place a small mark on the fixture.
- 2)** Make sure lens is square.
- 3)** Install tape strip **TIGHTLY** approximately 16" from start.
- 4)** Insert lens into lens tool, then place just before **TIGHT** tape strip.

FOR BPRO2-REG3

Install clamp before inserting into fixture. Once installed in fixture, remove clamp and proceed to step 5.

→ Lens tool with clamp installed into fixture

→ Clamp removed

WARNING: Ground fixture in accordance with local and national electrical codes. Failure to do so may result in serious personal injury. Fixture Installations should **ONLY** be done by a qualified licensed electrical professional.



5) Install **LOOSE** tape strip about 12" from start to hold lens parallel to fixture (easier to pull).

6) Pull lens through channel with fingers or non-marring pliers.

NOTE: Hold lens roll near ceiling, close to horizontal with fixture.

7) Use tape strip to pull lens into end cap.

END OF ROW

8) Make sure lens is tucked inside end cap.

END OF ROW

9) At start of fixture, remove tape strips and as a rough cut trim lens 1" past end cap.

! MAKE SURE LENS IS TUCKED INTO END CAP AT END OF ROW AS SHOWN IN STEP 8

10) Mark lens with pencil where you made the mark 18" from start of row inside fixture.

! MAKE SURE LENS IS TUCKED INTO END CAP AT END OF ROW AS SHOWN IN STEP 8

11) Measure 18 1/16" from mark on lens to near end of lens. Mark and trim lens.

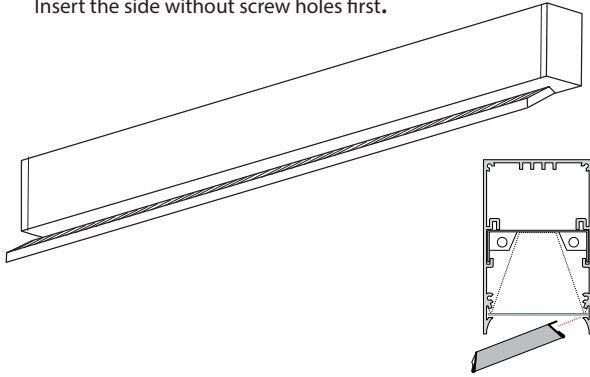
12) Slide lens tool end cap to insert remaining lens, using other end of tool or fingers to insert at end cap.

WARNING: Ground fixture in accordance with local and national electrical codes. Failure to do so may result in serious personal injury. Fixture Installations should **ONLY** be done by a qualified licensed electrical professional.

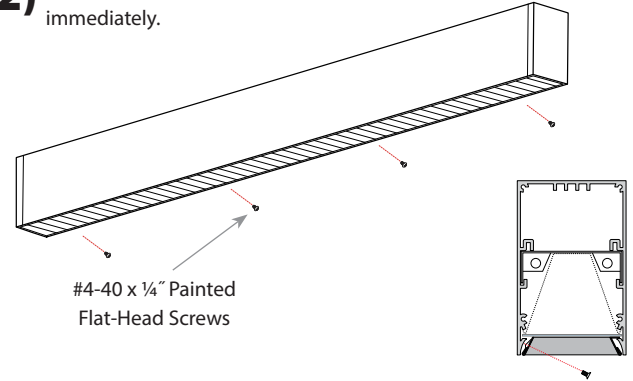


LOUVERS

- 1) Lift and shift the louver into place.
Insert the side without screw holes first.



- 2) Secure louver with included screws immediately.

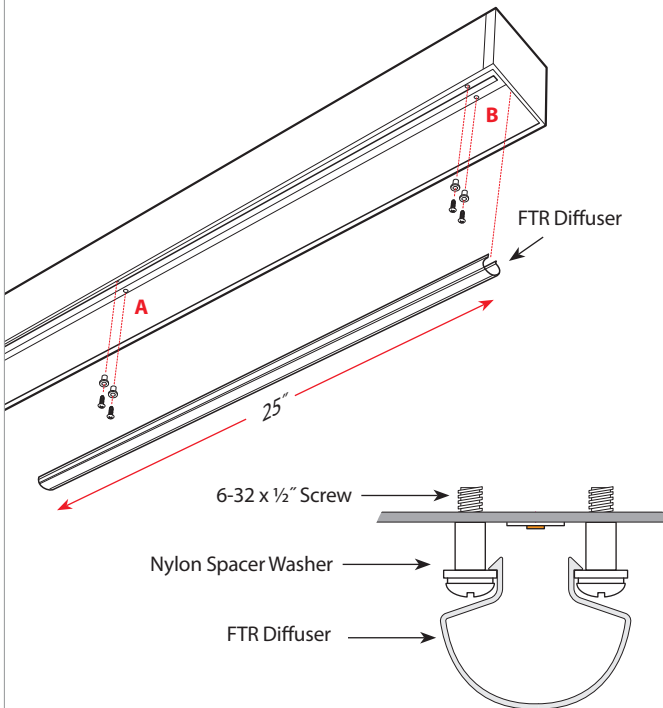


FTR END OF ROW FEATHERING

STANDARD FIXTURES

Before installing lens, replace the 1/4" screws at locations **A** and **B** with 1/2" screws, placing the provided spacer under the screws as shown.

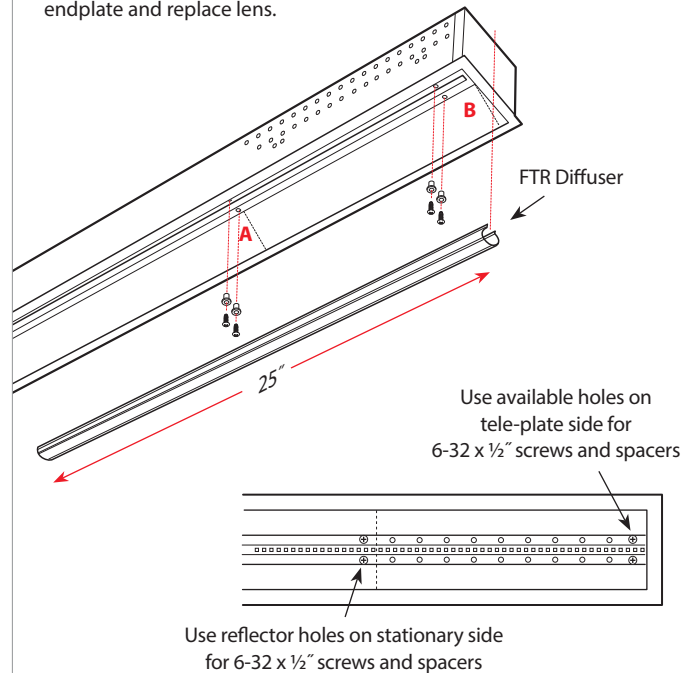
With screws and spacers installed, snap the FTR Diffuser over the LEDs at locations **A** and **B**, making sure that the hooks in the diffuser catch on the lip of the spacers. Push the FTR diffuser against the fixture endplate and install lens.



FILLER FIXTURES

After cutting the filler body to the desired length, at location **A**, replace the 1/4" screws with 1/2" screws, placing the provided spacer under the screws as shown. At location **B**, use available holes in tele-plate to attach screws and spacers.

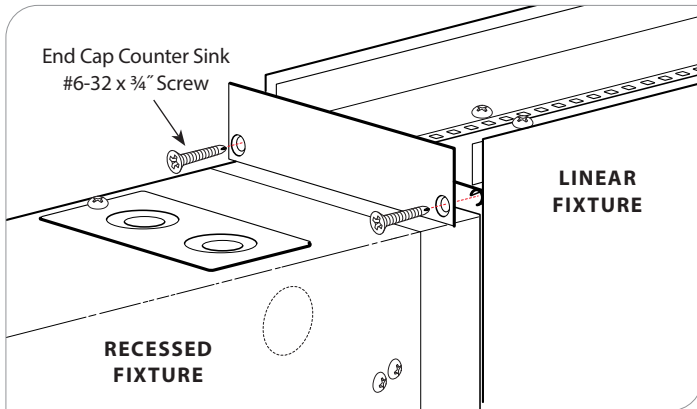
With screws and spacers installed, snap the FTR Diffuser over the LEDs at locations **A** and **B**, making sure that the hooks in the diffuser catch on the lip of the spacers. Push the FTR diffuser against the fixture endplate and replace lens.



WARNING: Ground fixture in accordance with local and national electrical codes. Failure to do so may result in serious personal injury. Fixture Installations should ONLY be done by a qualified licensed electrical professional.



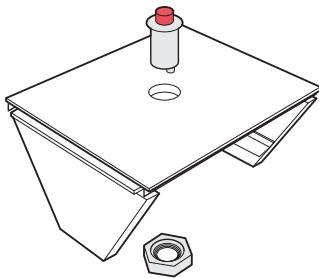
LRT (LINEAR TO RECESSED) DETAIL



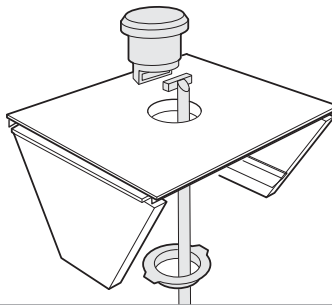
ACCESSORY PLATE & SENSOR INSTALLATION

SENSORS

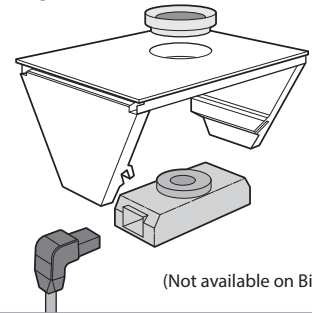
Iota Light/Switch



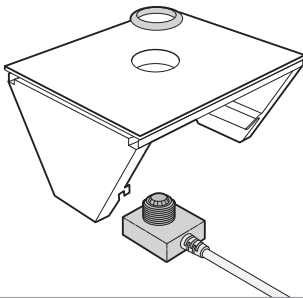
Enlighted Micro Sensor



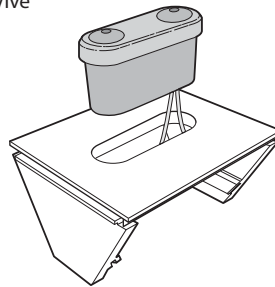
Acuity nLight



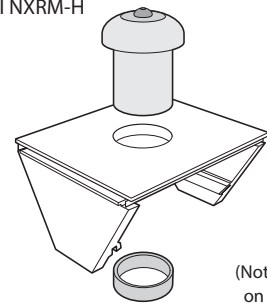
Wattstopper FS-205



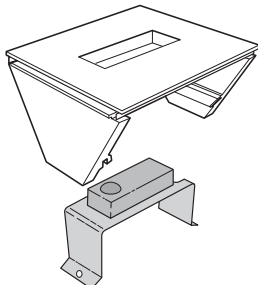
Lutron Vive



Hubbell NXRM-H



Hubbell NXSMP-SMI



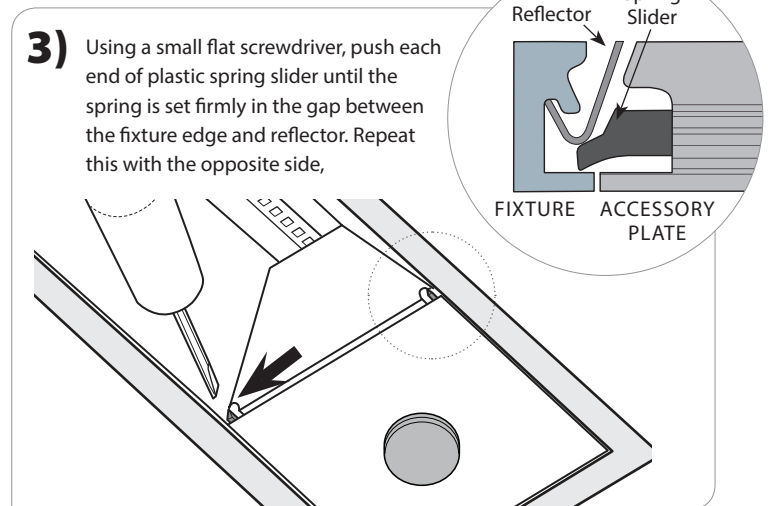
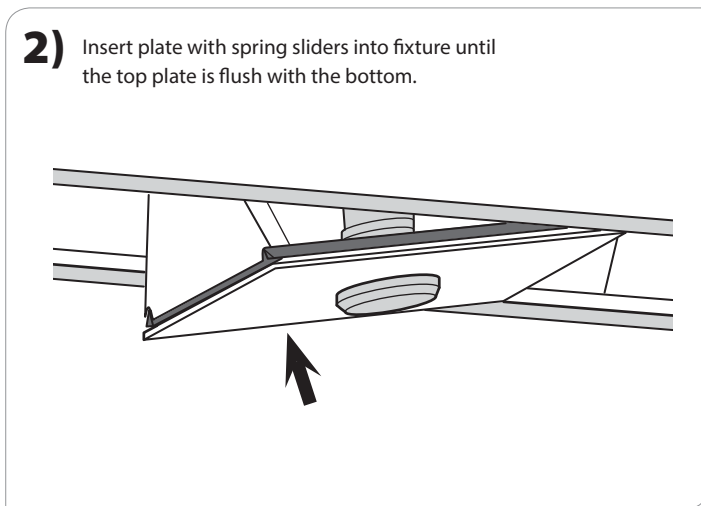
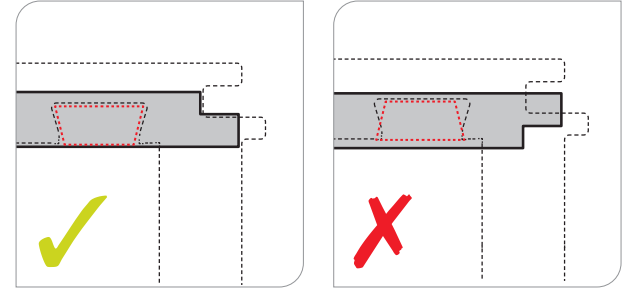
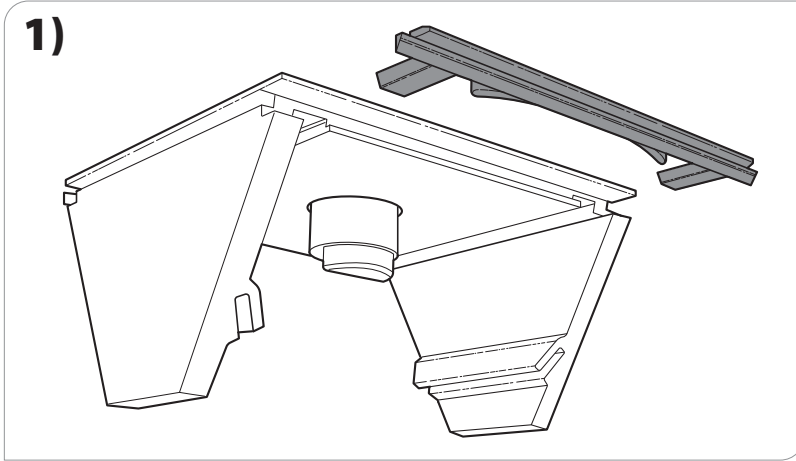
WARNING: Ground fixture in accordance with local and national electrical codes. Failure to do so may result in serious personal injury. Fixture Installations should ONLY be done by a qualified licensed electrical professional.



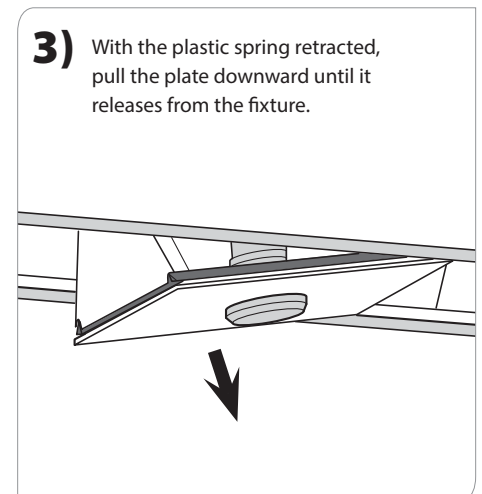
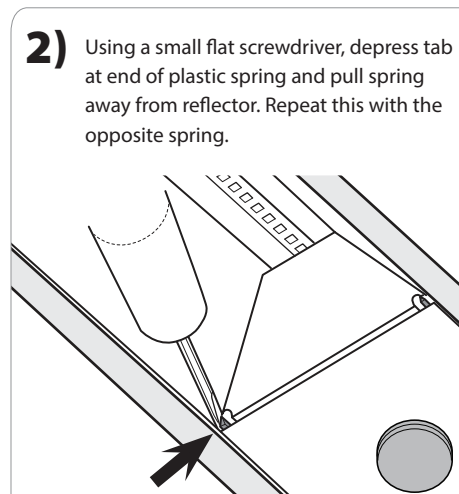
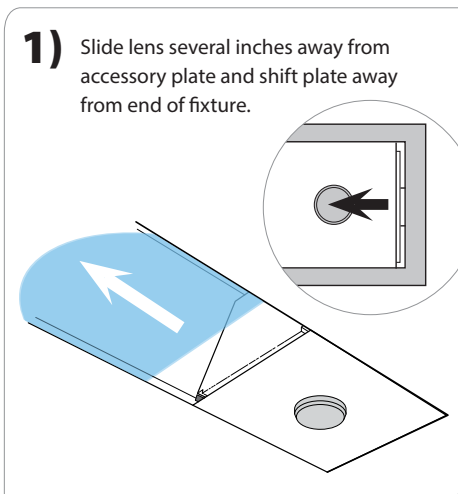
ACCESSORY PLATE ASSEMBLY

Insert slider spring tabs into dovetail slots in the bottom of plate

Spring tabs must be oriented to match dovetails in plate



ACCESSORY PLATE REMOVAL



WARNING: Ground fixture in accordance with local and national electrical codes. Failure to do so may result in serious personal injury. Fixture Installations should ONLY be done by a qualified licensed electrical professional.