



P53 | Recessed Linear

5" Slot, TechZone 6



PRUDENTIAL LTG.

PRULITE.COM 213.746.0360

INSTALLATION INSTRUCTIONS

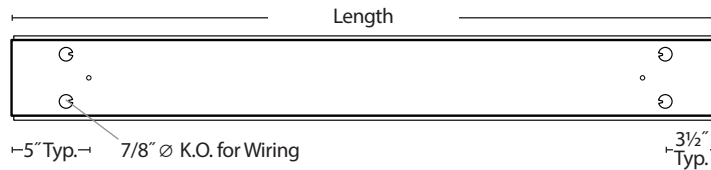
X1 (T-BAR) INSTALLATION INSTRUCTIONS

GENERAL NOTES

NOTE: Additional support to structural member may be required. Check with local building codes for requirement.

1. Remove reflector for access to ballast wires and knock outs.
2. Place troffer clamp approx. 6" from housing end (See figure 1). Use 4 clamps per housing. Lift housing above T-Bar grid and lower it down until troffer clamps snap onto grid. (See figure 2 & 3).
3. Make all wire connections and replace all reflectors. Install lamp (See figure 4) and snap all lens or louvers onto housing.

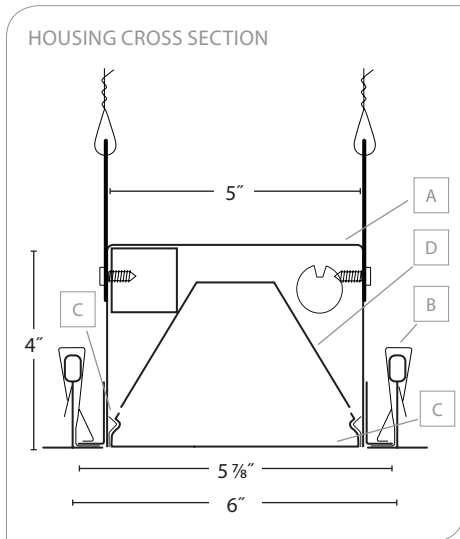
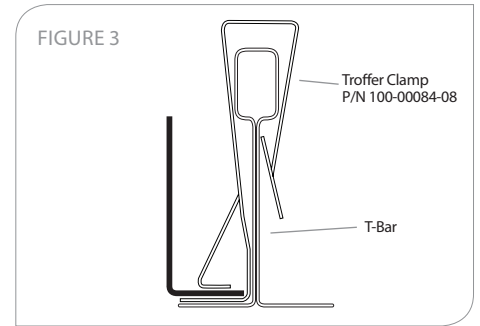
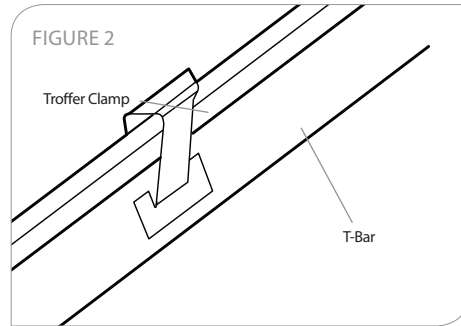
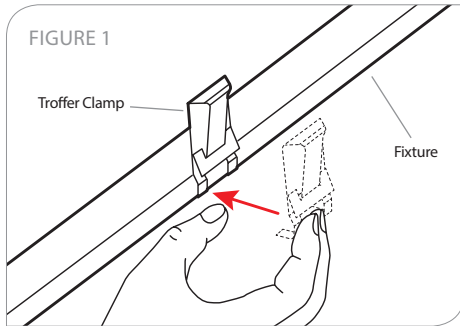
INDIVIDUAL MOUNTING:



T-Bar Center Length'

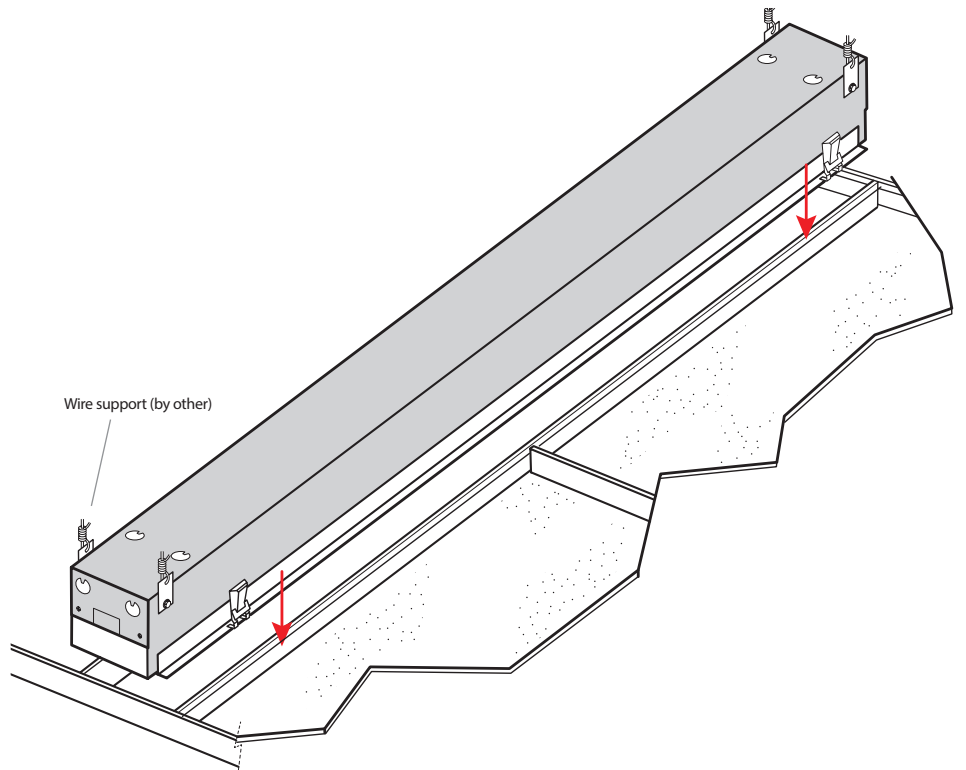
24"
36"
48"
72"
96"

ROW MOUNTING:



PICTORIAL VIEW

- A Modular Housing
- B Troffer Clamp
- C Lens
- D Reflector



WARNING: Ground fixture in accordance with local and national electrical codes. Failure to do so may result in serious personal injury.



Prudential Ltg. reserves the right to change design specifications or materials without notice. Please visit www.prulite.com for most current data.
© 2015 All rights reserved - All products manufactured at: Prudential Ltg. 1774 E. 21st Street, Los Angeles, CA 90058



P53 | Recessed Linear

5" Slot, TechZone 6

INSTALLATION INSTRUCTIONS

X3 (HARD CEILING) INSTALLATION INSTRUCTIONS



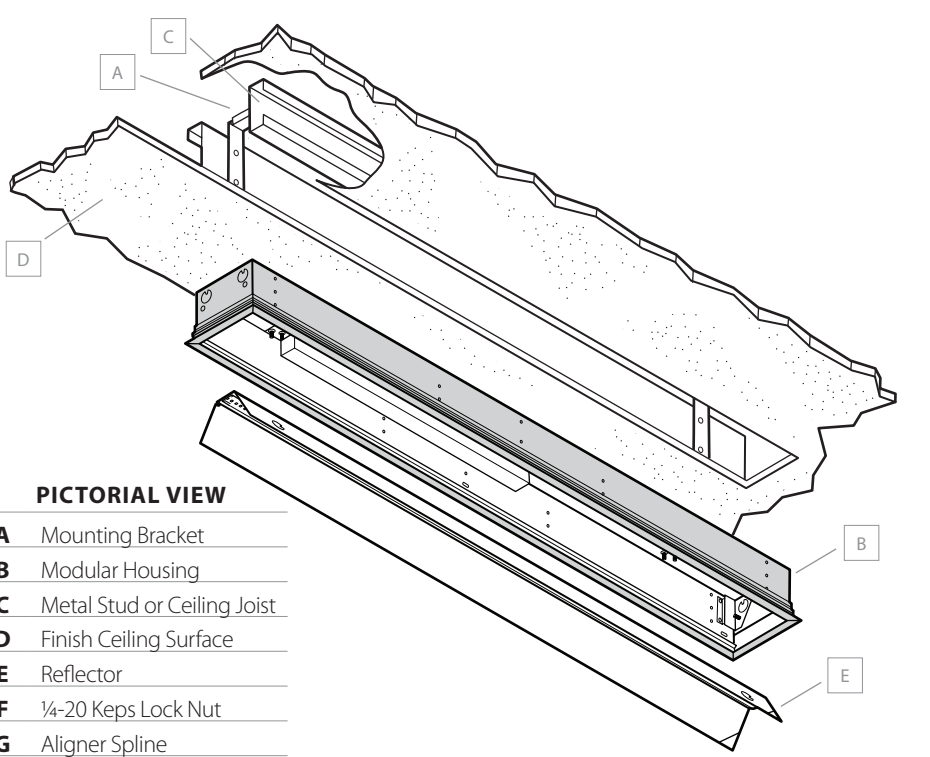
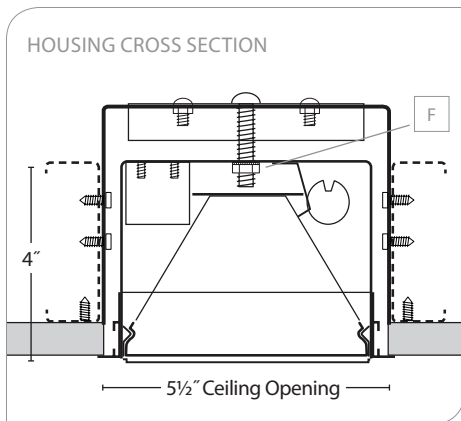
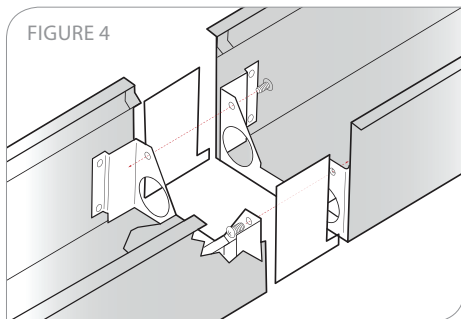
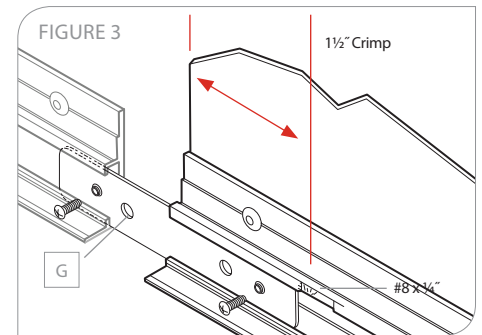
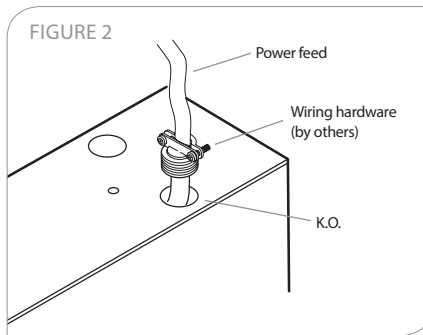
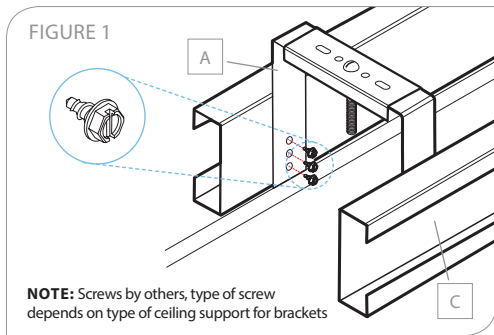
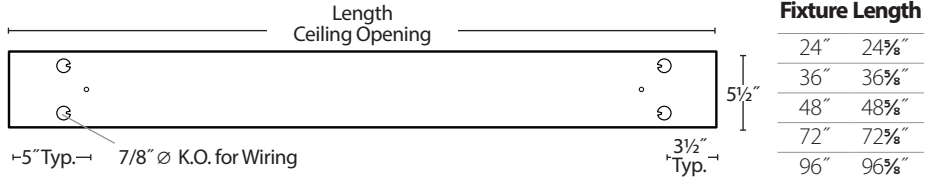
PRUDENTIAL LTG.

PRULITE.COM 213.746.0360

CEILING PREPARATION

1. Cut ceiling opening to dimensions specified (See rough-in dimension) and screw mounting brackets onto metal studs (Figure 1) or ceiling joists.
2. Remove reflector from fixture.
3. Pull supply wires through K.O. into the fixture (Figure 2) and mount the fixture to brackets.
4. Make all wire connections and replace all reflectors. Install lamp(s) and snap all lens or louvers into housing.
5. **ROWS:** Insert flange and insert aligner splines (Figure 3) before mounting the second fixture to brackets.

INDIVIDUAL MOUNTING:



WARNING: Ground fixture in accordance with local and national electrical codes. Failure to do so may result in serious personal injury.



P53 | Recessed Linear

5" Slot, TechZone 6

INSTALLATION INSTRUCTIONS

X7 (TRIMLESS) INSTALLATION INSTRUCTIONS



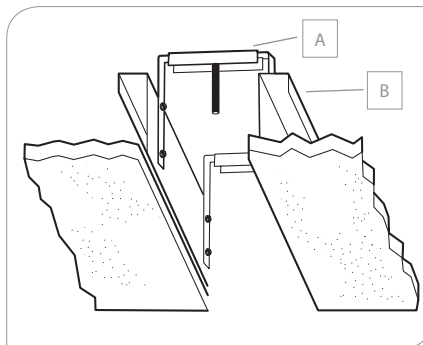
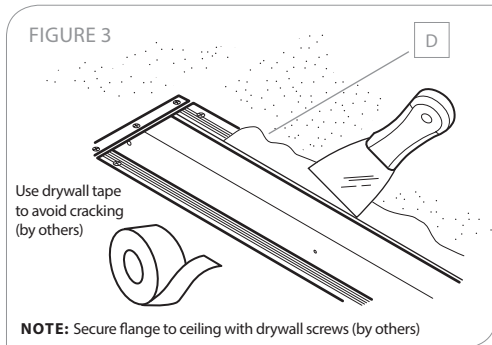
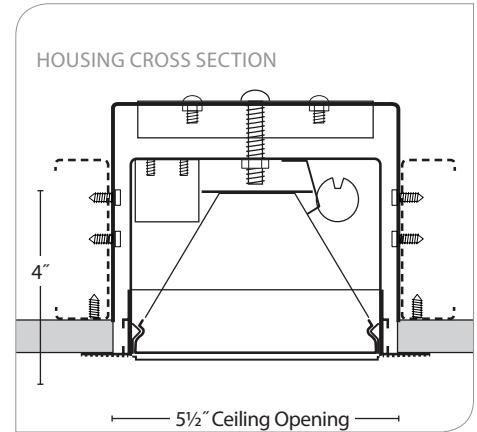
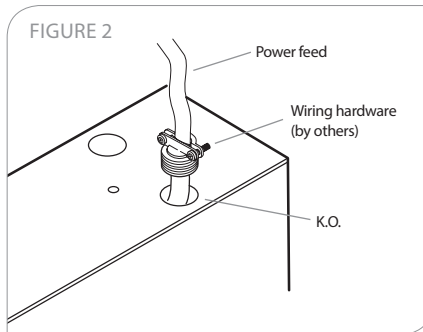
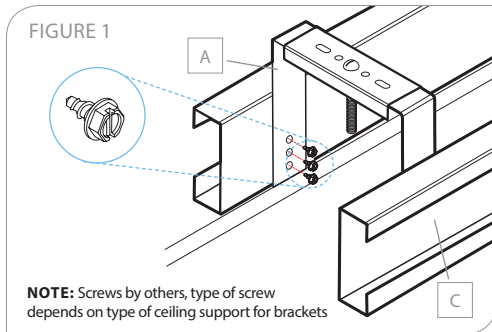
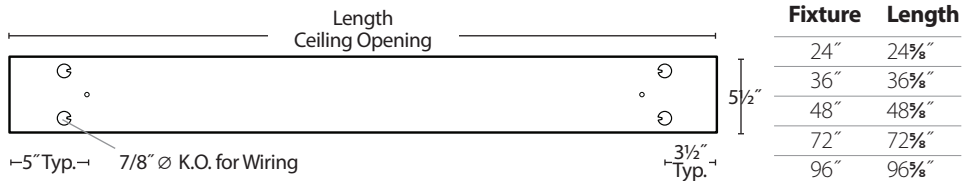
PRUDENTIAL LTG.

PRULITE.COM 213.746.0360

CEILING PREPARATION

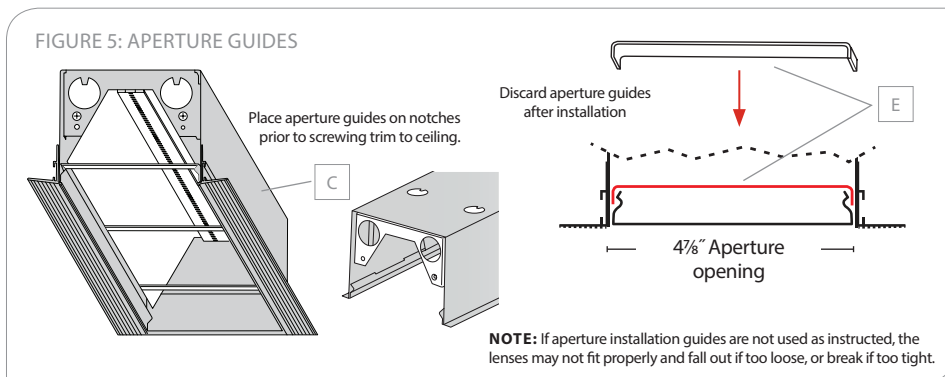
1. Cut ceiling opening to dimensions specified (see rough-in dimensions) and screw mounting brackets onto studs or ceiling joists (Figure 1).
2. Remove reflector from fixture.
3. Pull supply wires through K.O. into the fixture (Figure 2).
4. Place aperture guides inside fixture to prevent any deformation of housing (Figure 5) during installation. Screw flange onto ceiling. Drive screws straight up, **DO NOT ANGLE**, will distort aperture opening. Install lens to test for proper fit. If lens fits too tight or too loose, unscrew flanges from ceiling, adjust aperture opening accordingly and re-secure flange to ceiling. Test lens again, and repeat until lens snaps in firmly.
5. Apply plaster around flange (Figure 3).
6. Make all wire connections and replace all reflectors. Install lamp(s) and snap in lens or louvers into housing.

INDIVIDUAL MOUNTING:



PICTORIAL VIEW

A	Mounting Bracket
B	Metal Stud or Ceiling Joist
C	Modular Housing
D	Finish Ceiling Surface
E	Installation Guide (X7)



WARNING: Ground fixture in accordance with local and national electrical codes. Failure to do so may result in serious personal injury.



Prudential Ltg. reserves the right to change design specifications or materials without notice. Please visit www.prulite.com for most current data.
© 2015 All rights reserved - All products manufactured at: Prudential Ltg. 1774 E. 21st Street, Los Angeles, CA 90058