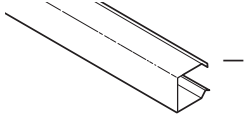
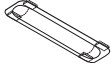




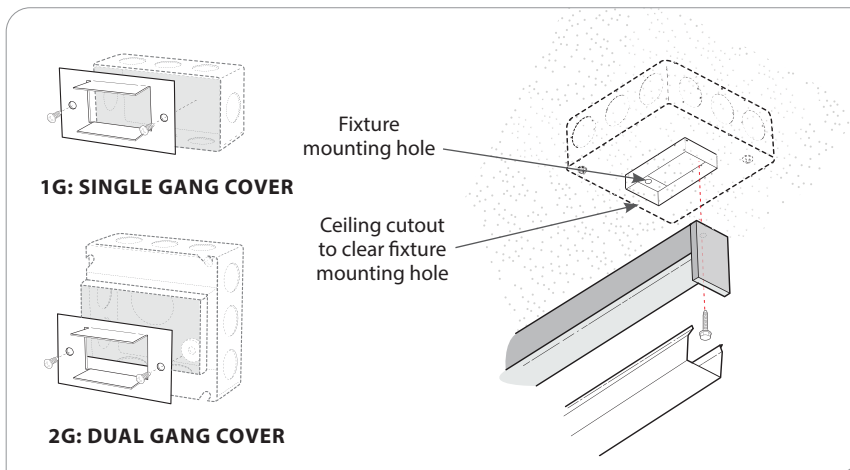
INSTALLATION INSTRUCTIONS

X3 — HARD CEILING

PARTS LIST	PART NO .	DESCRIPTION
		Lens (SHIPPED INSTALLED)
	138571	Magnetic Flash Suppression Device (SHIPPED INSTALLED)

EBCP ELECTRICAL BOX COVER (OPTIONAL)

7/8" Dia. K.O. will accommodate 2"x 4" or 4"x 4" J-Box (by others)



WARNING: Ground fixture in accordance with local and national electrical codes. Failure to do so may result in serious personal injury. Fixture Installations should ONLY be done by a qualified licensed electrical professional.



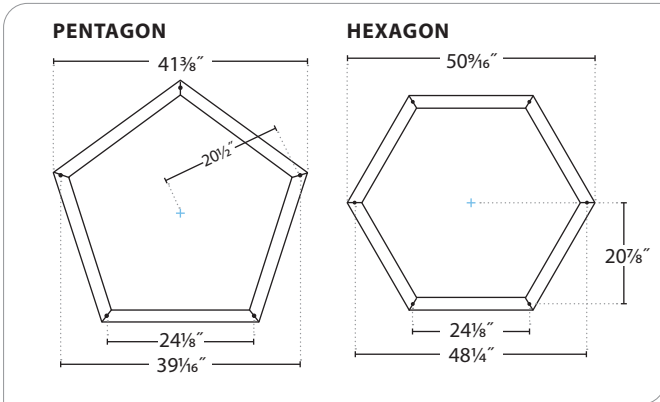
INSTALLATION INSTRUCTIONS

X3 — HARD CEILING

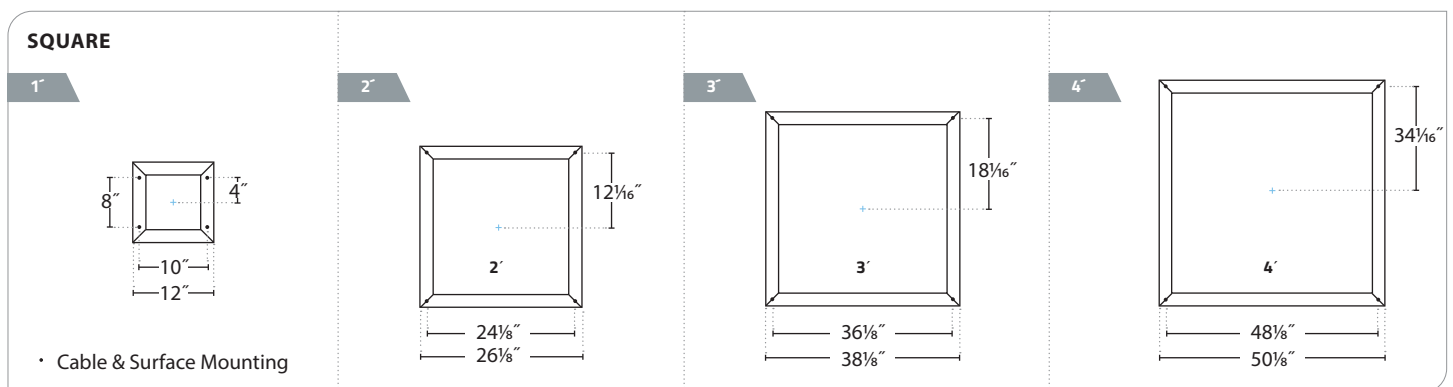
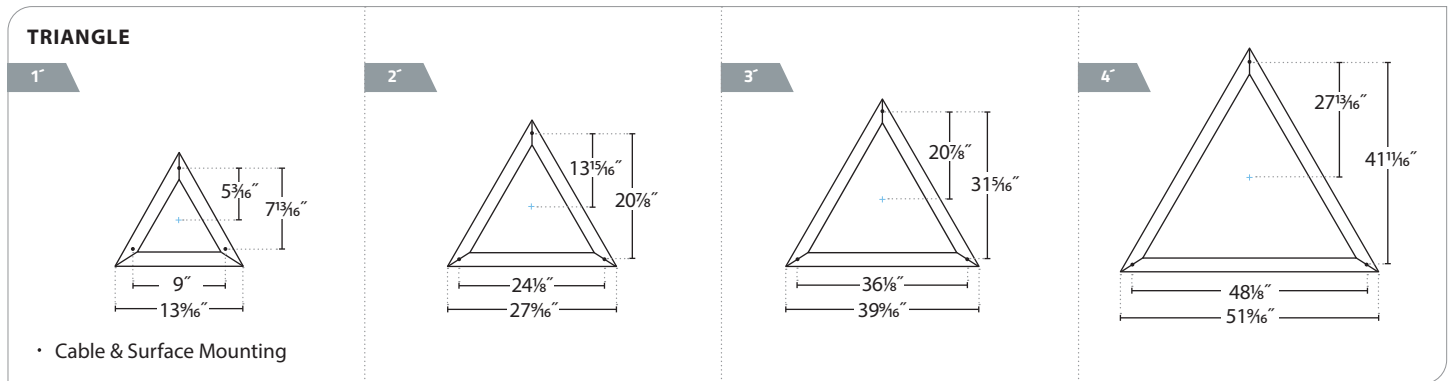
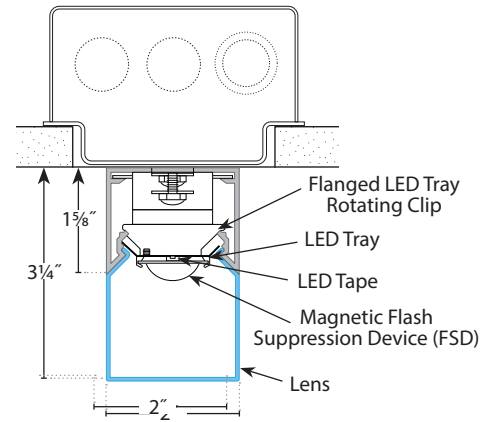
GENERAL NOTES

- Depending upon ceiling construction, structural reinforcement required at mounting locations.

MOUNTING LOCATIONS



CROSS SECTION



WARNING: Ground fixture in accordance with local and national electrical codes. Failure to do so may result in serious personal injury. Fixture Installations should ONLY be done by a qualified licensed electrical professional.



INSTALLATION INSTRUCTIONS

X3 — HARD CEILING

1. Remove Lens from fixture (figure 1).
2. Unlock LED tray from clips and remove the LED tray by unplugging the LED lead wire disconnects on first fixture, remove LED Tray (figure 2).
3. Mount fixture to ceiling surface through ¼" diameter holes (mounting screws provided by others) & make all electrical connections from ceiling to fixture (figure 4, page 4). For fixtures with internal EM drivers, **DO NOT** plug the connectors until after normal power has been applied to the fixture.
4. Re-install reflectors. Ensure no wires are pinched between trays and housing to avoid electrical and alignment issues.
5. Re-install lenses.

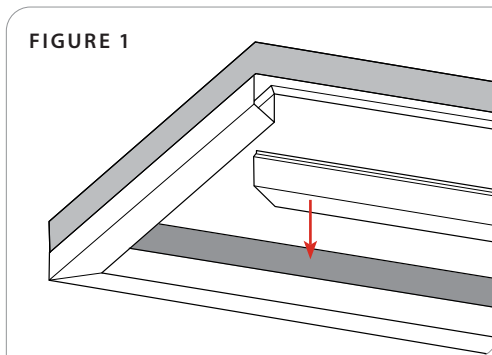


FIGURE 1

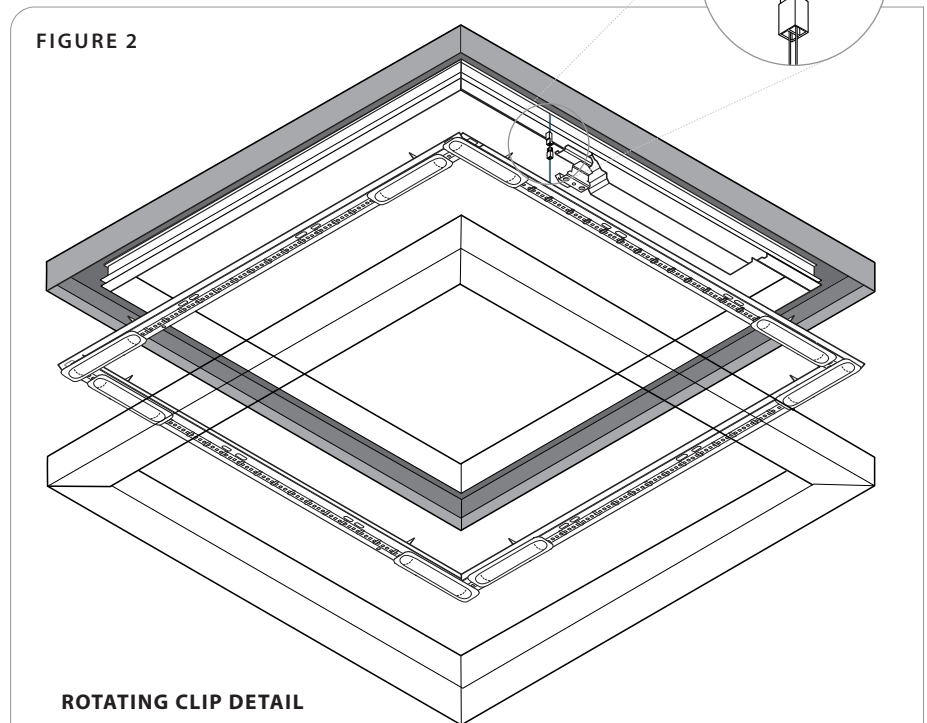
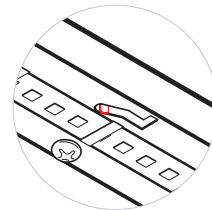


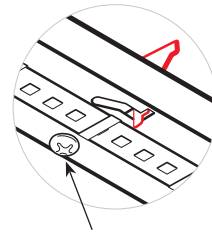
FIGURE 2

ROTATING CLIP DETAIL



UNLOCK

Turn the Rotating Clip Screw counter-clockwise until the clip is loose. **DO NOT** unscrew completely. Rotate the Rotating Clip counter clockwise till it dead ends in the slot Holding the Rotating Clip in place, tighten the Rotating Clip Screw to maintain the Rotating Clip position.



LOCK

Loosen Rotating Clip Screw until clip is loose. Move Rotating Clip clockwise until its dead end in the slot. Tighten Rotating Clip Screw.

Rotating Clip Screw

WARNING: Ground fixture in accordance with local and national electrical codes. Failure to do so may result in serious personal injury. Fixture Installations should ONLY be done by a qualified licensed electrical professional.



INSTALLATION INSTRUCTIONS

X3 — HARD CEILING

FIGURE 3

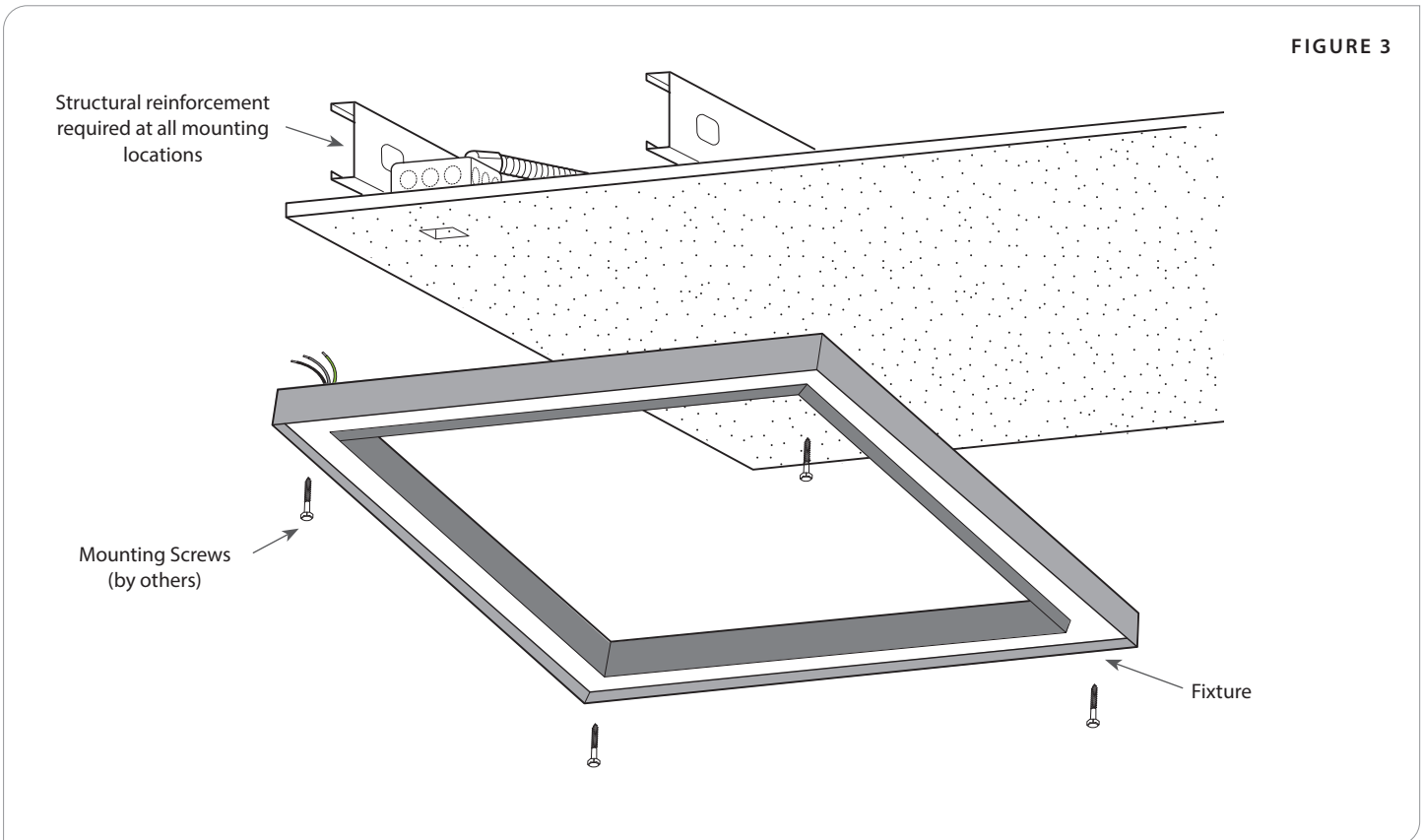
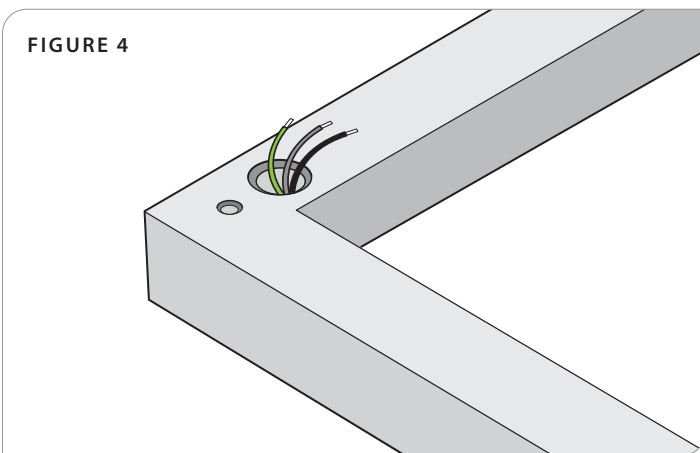
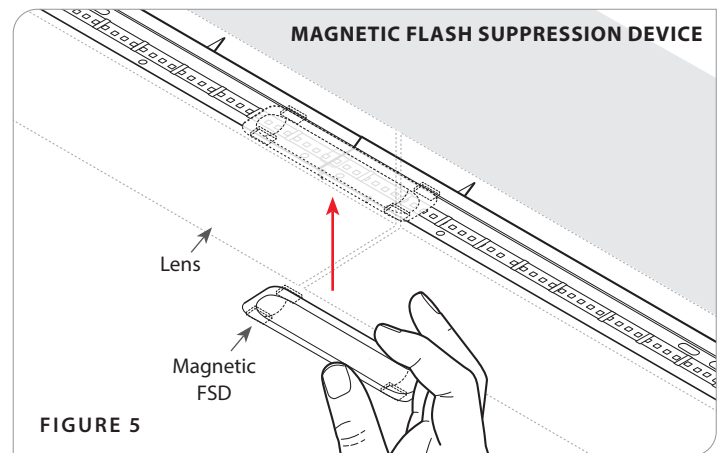


FIGURE 4



MAGNETIC FLASH SUPPRESSION DEVICE



WARNING: Ground fixture in accordance with local and national electrical codes. Failure to do so may result in serious personal injury. Fixture Installations should ONLY be done by a qualified licensed electrical professional.



1. Disconnect power from fixture (for an emergency disconnect the couple as well).
2. Remove the lens (figures 1).
3. Remove the LED Trays (figure 2).
4. Replace LED Tray and/or driver with new part.
5. Replace lens.
6. Power Fixture.

FIGURE 1

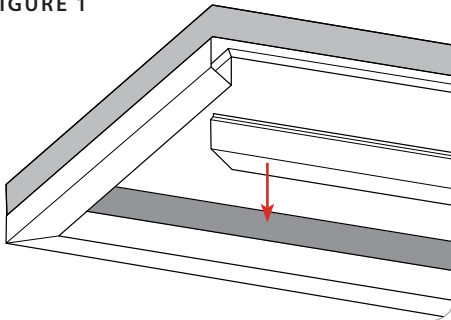
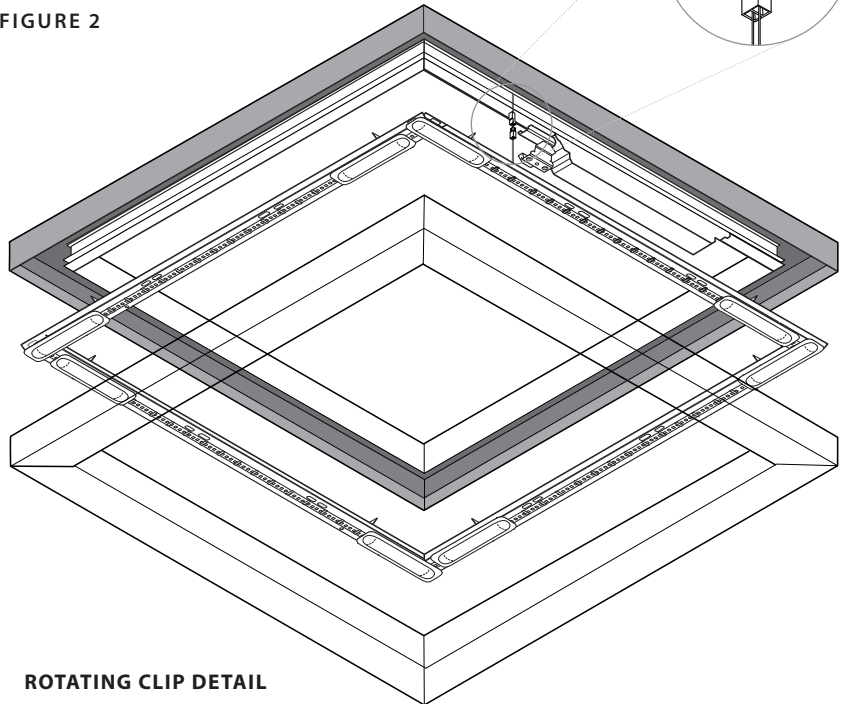
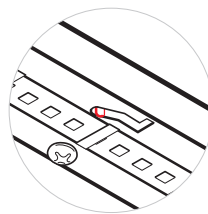


FIGURE 2

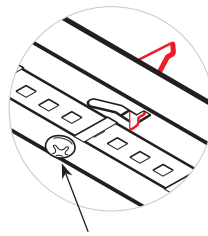


ROTATING CLIP DETAIL



UNLOCK

Turn the Rotating Clip Screw counter-clockwise until the clip is loose. **DO NOT** unscrew completely. Rotate the Rotating Clip counter clockwise till it dead ends in the slot Holding the Rotating Clip in place, tighten the Rotating Clip Screw to maintain the Rotating Clip position.



LOCK

Loosen Rotating Clip Screw until clip is loose. Move Rotating Clip clockwise until its dead end in the slot. Tighten Rotating Clip Screw.

Rotating Clip Screw

WARNING: Ground fixture in accordance with local and national electrical codes. Failure to do so may result in serious personal injury. Fixture Installations should ONLY be done by a qualified licensed electrical professional.

