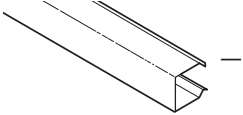
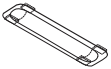


# BoltPro Shapes | Surface, Wall Surface Mount

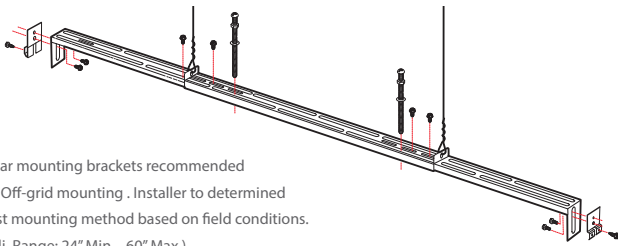






## INSTALLATION INSTRUCTIONS

### X1, X6 — T-BAR (OFF-GRID)

PARTS LIST	PART NO.	DESCRIPTION
		Lens (SHIPPED INSTALLED)
	138571	Magnetic Flash Suppression Device (SHIPPED INSTALLED)

#### T-BAR MOUNTING RAIL ASSEMBLY 101962 (OPTIONAL FOR OFF-GRID MOUNTING):



	100-00283-14	1/4-20 x 5" Round Hd. MS SL Type F
	100-00165-14	1/4-20 Hex Nut
	100-00008-14	1/4" x 1/2" Washer
	100-00086-14	#6 x 3/8" Tek Screw

**WARNING:** Ground fixture in accordance with local and national electrical codes. Failure to do so may result in serious personal injury. Fixture Installations should ONLY be done by a qualified licensed electrical professional.



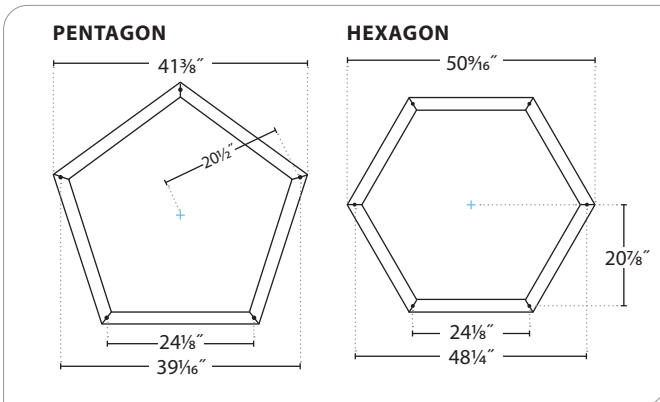
## INSTALLATION INSTRUCTIONS

### X1, X6 — T-BAR (OFF-GRID)

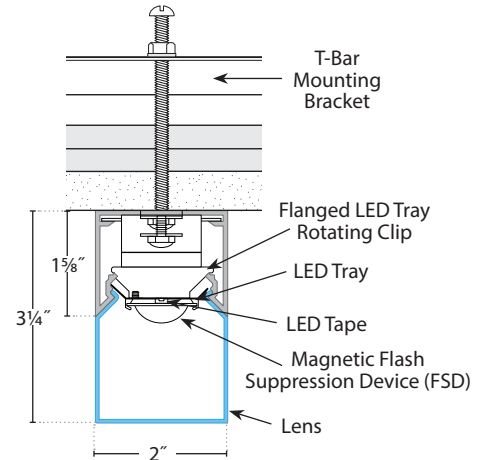
#### GENERAL NOTES

- Depending upon ceiling construction, structural reinforcement required at mounting locations.

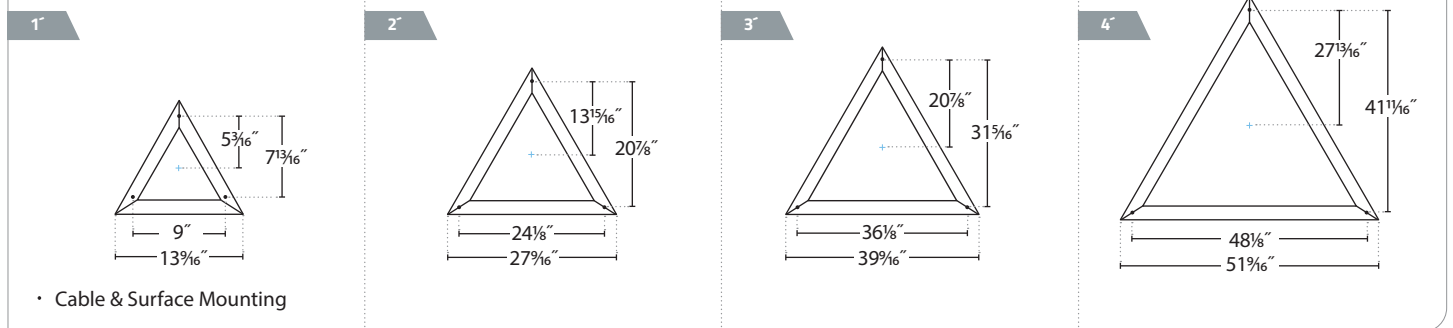
#### MOUNTING LOCATIONS



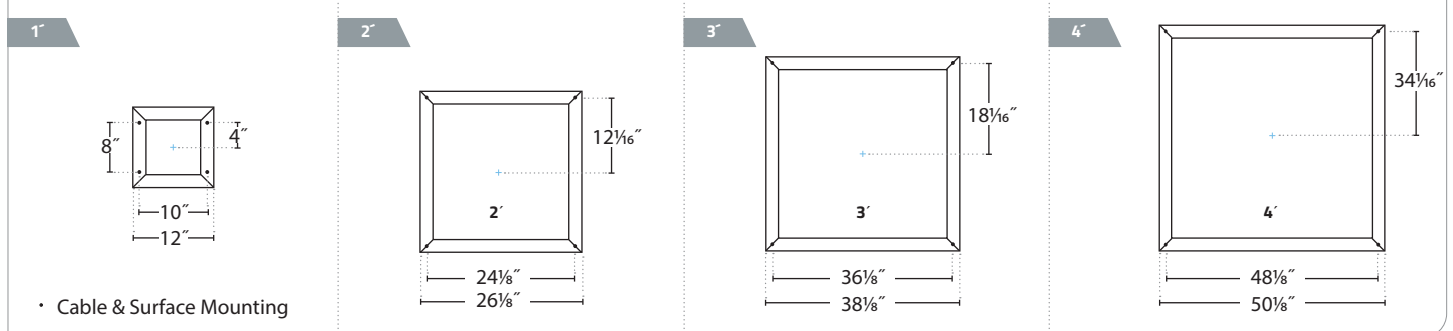
#### CROSS SECTION



#### TRIANGLE



#### SQUARE



**WARNING:** Ground fixture in accordance with local and national electrical codes. Failure to do so may result in serious personal injury. Fixture Installations should ONLY be done by a qualified licensed electrical professional.

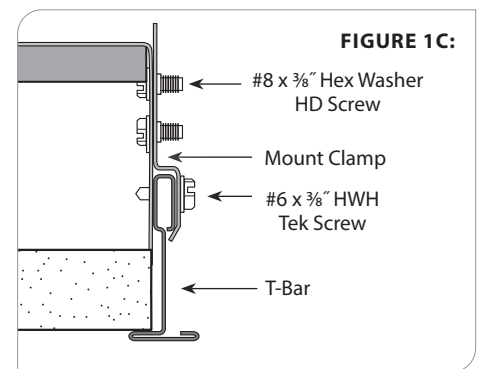
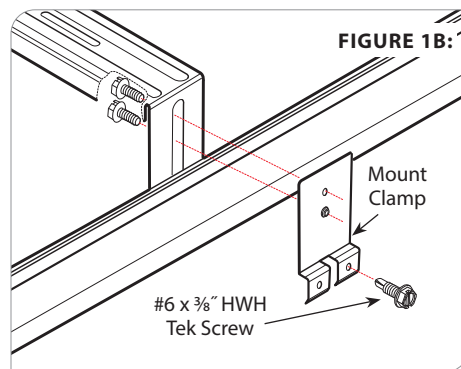
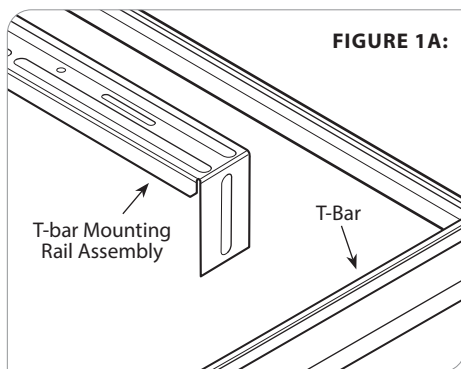
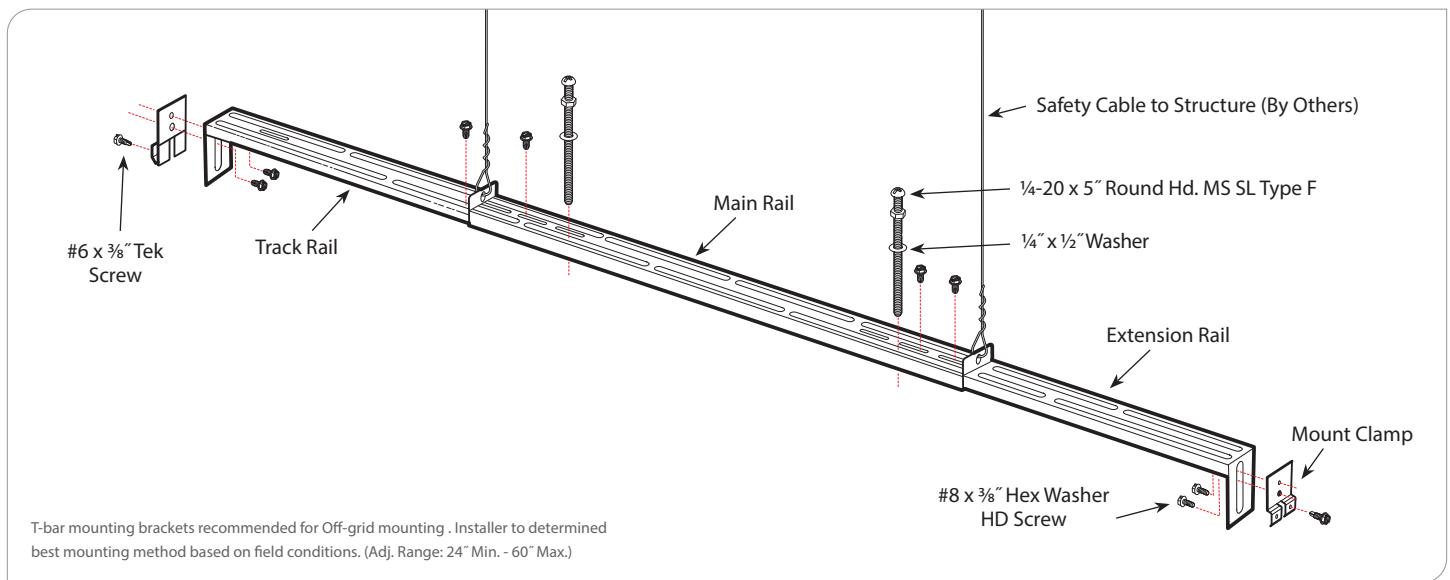


## INSTALLATION INSTRUCTIONS

### X1, X6 — T-BAR (OFF-GRID)

#### T-BAR MOUNTING RAIL ASSEMBLY (OPTIONAL)

1. Mark mounting dimensions on ceiling tile and drill (2)  $\frac{3}{8}$ " holes.
2. Extend T-BAR mounting rail assembly (101962) to fit t-bar grid. (Figures 1A & 1B). (8-32 x  $\frac{1}{2}$ " Washer HD screws may need to be removed to expand rails).
3. Place T-BAR mounting rail assembly against inner wall of t-bar with clamps.
4. Secure assembly to t-bar with clamps (Figures 1B & 1C).
5. Drive #6 x  $\frac{3}{8}$ " Tek Screws through clamp and t-bar.
6. Use  $\frac{1}{4}$ -20 x 5" Round Hd. Mounting Screws at each mounting location. Adjust so screw protrudes ceiling tile by  $\frac{1}{2}$ ".
7. Attach safety cable (by others) to rail assembly and secure to structure .



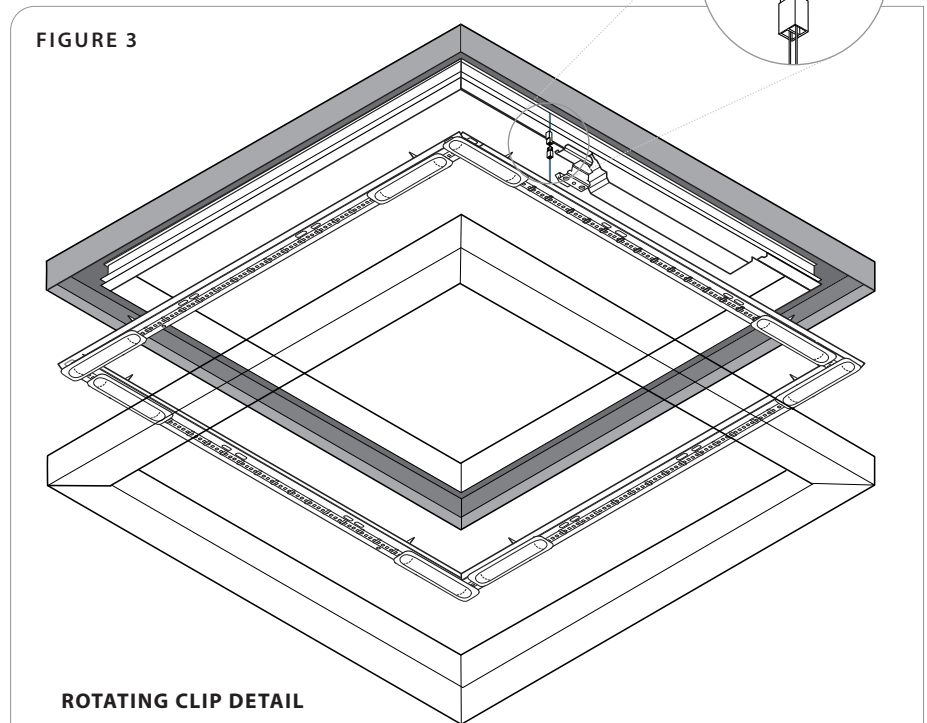
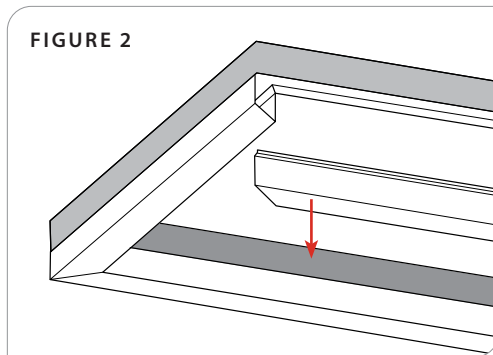
**WARNING:** Ground fixture in accordance with local and national electrical codes. Failure to do so may result in serious personal injury. Fixture Installations should ONLY be done by a qualified licensed electrical professional.



### INSTALLATION INSTRUCTIONS

## X1, X6 — T-BAR (OFF-GRID)

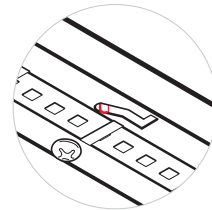
1. Remove Lens from fixture (figure 1).
2. Unlock LED tray from clips and remove the LED tray by unplugging the LED lead wire disconnects on first fixture, remove LED Tray (figure 3).
3. Mount fixture to ceiling surface through ¼" diameter holes (mounting screws provided by others) & make all electrical connections from ceiling to fixture (figure 4, page 5). For fixtures with internal EM drivers, **DO NOT** plug the connectors until after normal power has been applied to the fixture.
4. Re-install reflectors. Ensure no wires are pinched between trays and housing to avoid electrical and alignment issues.
5. Re-install lenses.



#### WIRING:

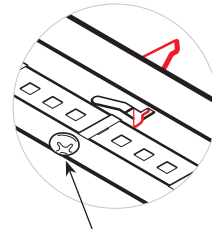
0-10V (+) : PURPLE	0-10V (-) : PINK
DALI (+) : PURPLE	DALI (-) : PINK
EcoSystem DALI (+) : PURPLE	EcoSystem DALI (-) : PINK
HOT : BLACK	
NEUTRAL : WHITE	
GROUND : GREEN	
CONSTANT HOT (EM) : RED	

#### ROTATING CLIP DETAIL



#### UNLOCK

Turn the Rotating Clip Screw counter-clockwise until the clip is loose. **DO NOT** unscrew completely. Rotate the Rotating Clip counter clockwise till its dead ends in the slot Holding the Rotating Clip in place, tighten the Rotating Clip Screw to maintain the Rotating Clip position.



#### LOCK

Loosen Rotating Clip Screw until clip is loose. Move Rotating Clip clockwise until its dead end in the slot. Tighten Rotating Clip Screw.

Rotating Clip Screw

**WARNING:** Ground fixture in accordance with local and national electrical codes. Failure to do so may result in serious personal injury. Fixture Installations should ONLY be done by a qualified licensed electrical professional.



## INSTALLATION INSTRUCTIONS

### X1, X6 — T-BAR (OFF-GRID)

FIGURE 4

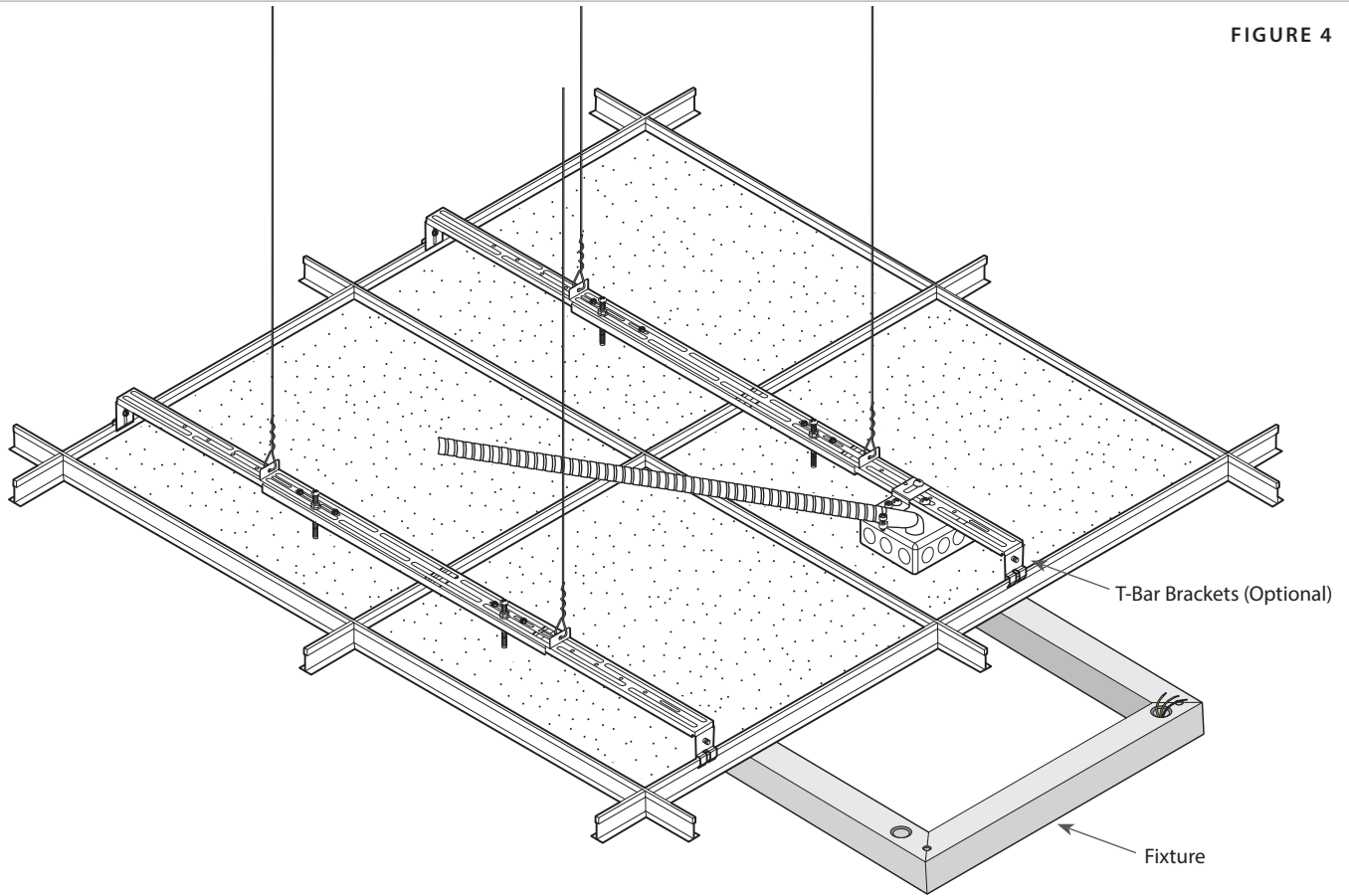
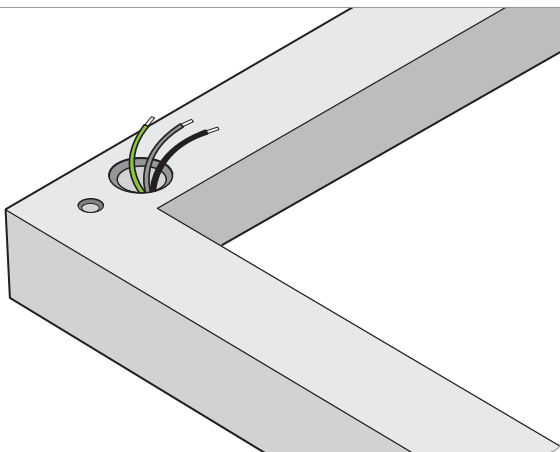


FIGURE 5

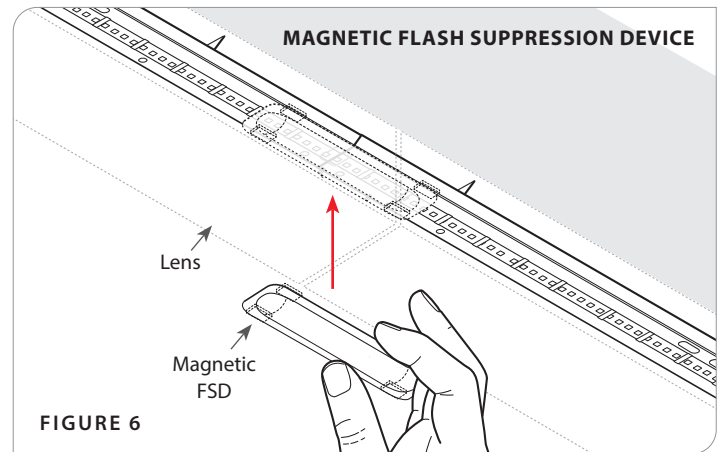


MAGNETIC FLASH SUPPRESSION DEVICE

Lens

Magnetic FSD

FIGURE 6



**WARNING:** Ground fixture in accordance with local and national electrical codes. Failure to do so may result in serious personal injury. Fixture Installations should ONLY be done by a qualified licensed electrical professional.



1. Disconnect power from fixture (for an emergency disconnect the couple as well).
2. Remove the lens (figures 1).
3. Remove the LED Trays (figure 2).
4. Replace LED Tray and/or driver with new part.
5. Replace lens.
6. Power Fixture.

FIGURE 1

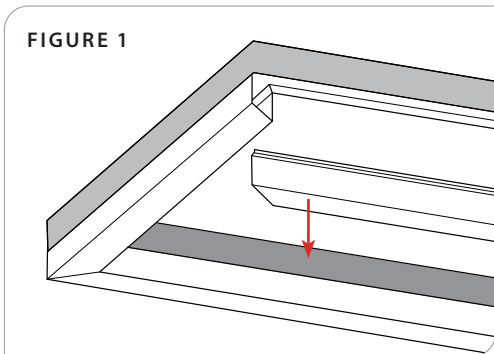
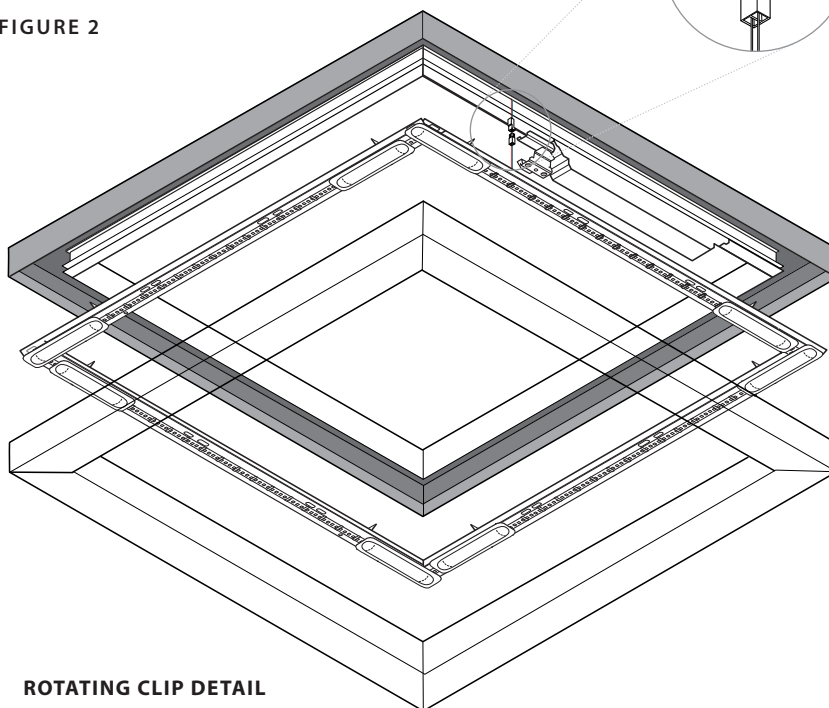
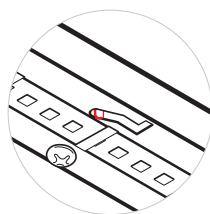


FIGURE 2

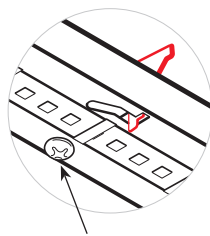


### ROTATING CLIP DETAIL



#### UNLOCK

Turn the Rotating Clip Screw counter-clockwise until the clip is loose. **DO NOT** unscrew completely. Rotate the Rotating Clip counter clockwise till it dead ends in the slot. Holding the Rotating Clip in place, tighten the Rotating Clip Screw to maintain the Rotating Clip position.



#### LOCK

Loosen Rotating Clip Screw until clip is loose. Move Rotating Clip clockwise until its dead end in the slot. Tighten Rotating Clip Screw.

Rotating Clip Screw

**WARNING:** Ground fixture in accordance with local and national electrical codes. Failure to do so may result in serious personal injury. Fixture Installations should ONLY be done by a qualified licensed electrical professional.

