

BoltPro Shapes | Pendant Cable Mount

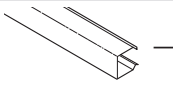
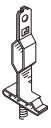
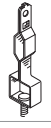
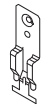












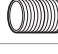



PRUDENTIAL LTG.


PRULITE.COM 213.746.0360

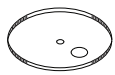
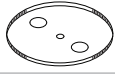
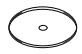
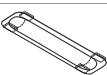
INSTALLATION INSTRUCTIONS

X1, X6 — T-BAR (OFF-GRID)

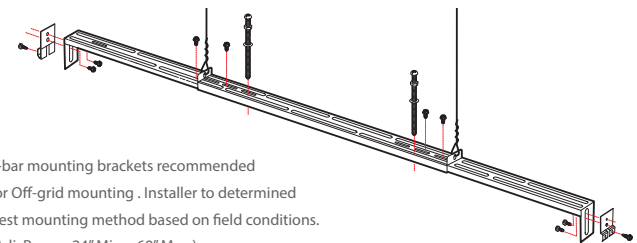
PART	PART NO.	DESCRIPTION
	—	Lens (SHIPPED INSTALLED)
CABLE MOUNT HARDWARE SHIPPED SEPARATELY		
	100-00004-08	I.D.S. Clip (X1 - Standard)
	100-00003-08	I.D.S. 95 Clip (X2, X6)
	100-00091-08	A.T Clip (X1, X2, X6)
	100-00114-14	1/4-20 x 3/4" Truss Head Screw





PRU CABLE ASSEMBLY:		
	100-00039-08	53"
	100-00085-08	100"
	100-00042-08	200"
	100-00262-14	3/4 WIRE
	100-00264-14	5/6 WIRE
	100-00319-14	WHITE
	100-00316-14	BLACK
	100-00318-14	WHITE
	100-00321-14	BLACK
	100-00284-14	1/2" x 1 1/8" IPT Brass Threaded Nipple
	100-00239-14	1/2" IP Knurled Nut
	100-00228-14	3/4 WIRE
	100-00346-14	5/6 WIRE

18GA SJT CORD:	3 WIRE	4 WIRE	5 WIRE	6 WIRE	
	WHITE	100-00023-09	100-00024-09	100-00912-09	100-01002-09
	WHITE 600v	100-00059-09	100-00060-09	100-00919-09	100-00604-09
	BLACK	100-00956-09	100-00025-09	100-00933-09	100-00317-09
	BLACK 600v	100-00318-09	100-00606-09	100-00457-09	100-00607-09

PARTS LIST	PART NO.	DESCRIPTION
CANOPIES:		
	28975	5 1/2" Ø SPF Canopy (2 Hole)
	65392	5 1/2" Ø DPF Canopy (3 Hole)
	100-00078-07	2" Ø NPF Canopy (1 Hole) (X1, X2, X6)
	138571	Magnetic Flash Suppression Device (SHIPPED INSTALLED)

T-BAR MOUNTING RAIL ASSEMBLY (OPTIONAL FOR OFF-GRID MOUNTING): 101962



	100-00283-14	1/4-20 x 5" Round Hd. MS SL Type F
	100-00165-14	1/4-20 Hex Nut
	100-00008-14	1/4" x 1/2" Washer
	100-00086-14	#6 x 3/8" Tek Screw

FOR RPM/SPM MOUNTING, SEE SEPARATE INSTALLATION SPEC

WARNING: Ground fixture in accordance with local and national electrical codes. Failure to do so may result in serious personal injury. Fixture Installations should ONLY be done by a qualified licensed electrical professional.



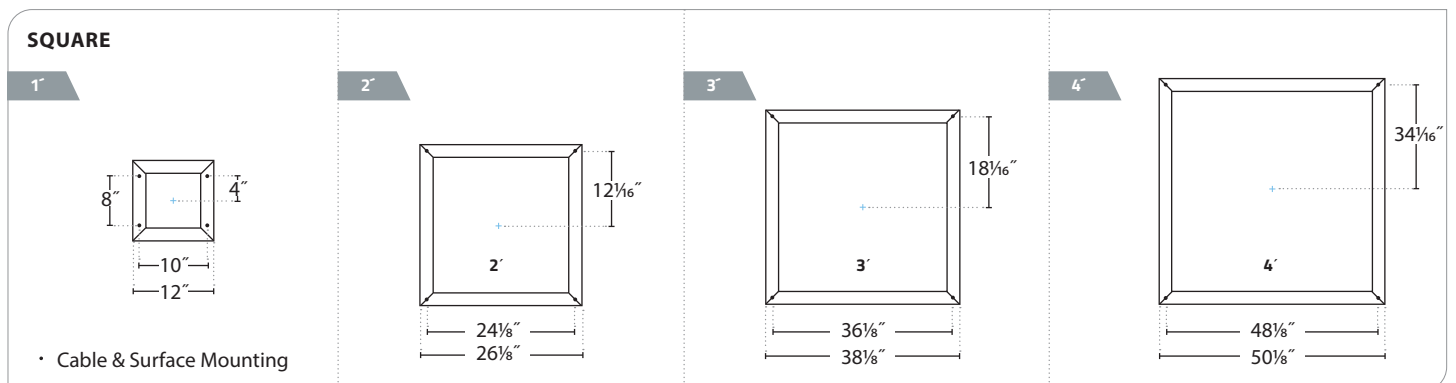
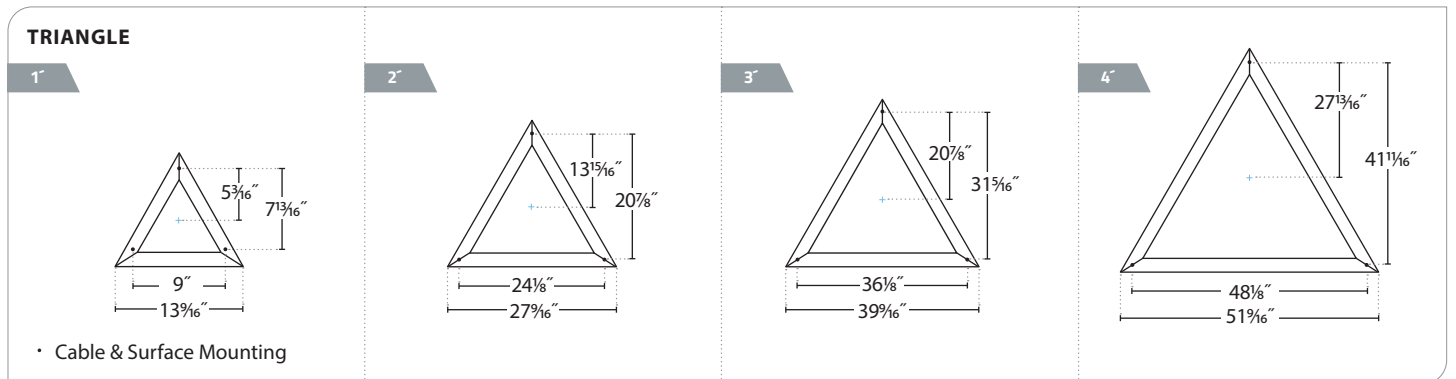
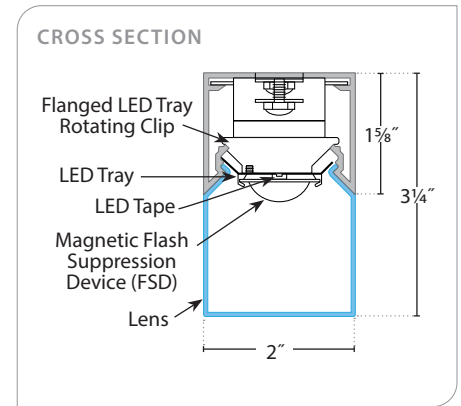
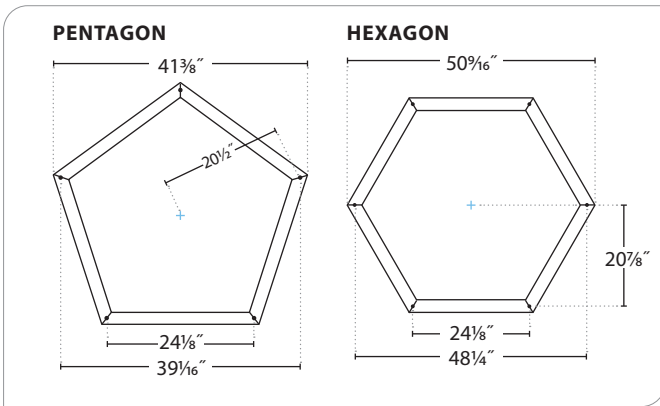
INSTALLATION INSTRUCTIONS

X1, X6 — T-BAR (OFF-GRID)

GENERAL NOTES

- Depending upon ceiling construction, structural reinforcement required at mounting locations.
- Fixture dis-assembly not required for installation.
- If mounting location is off-grid, 1/4-20 All Thread will be required at that mounting location to attach the support cable.
- Power cord provided in bulk and is to be cut to length and stripped by installer unless "PIF" is specified.

MOUNTING LOCATIONS



WARNING: Ground fixture in accordance with local and national electrical codes. Failure to do so may result in serious personal injury. Fixture Installations should ONLY be done by a qualified licensed electrical professional.

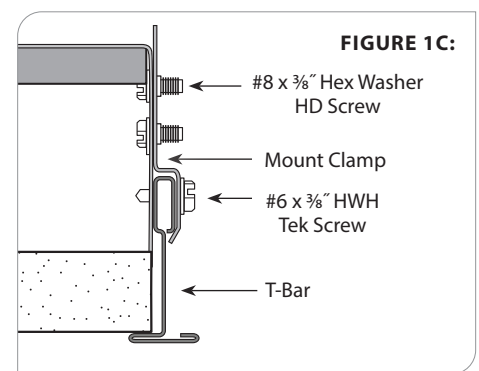
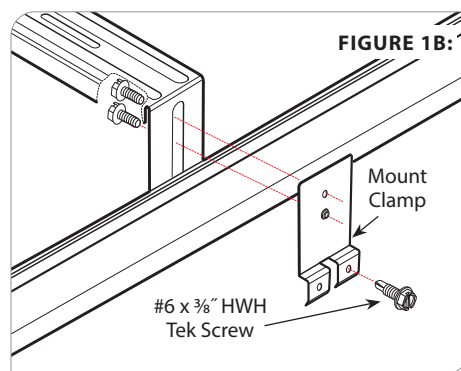
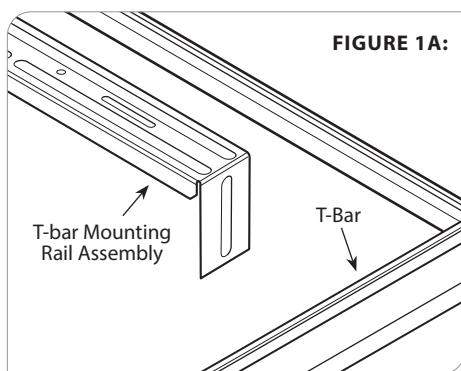
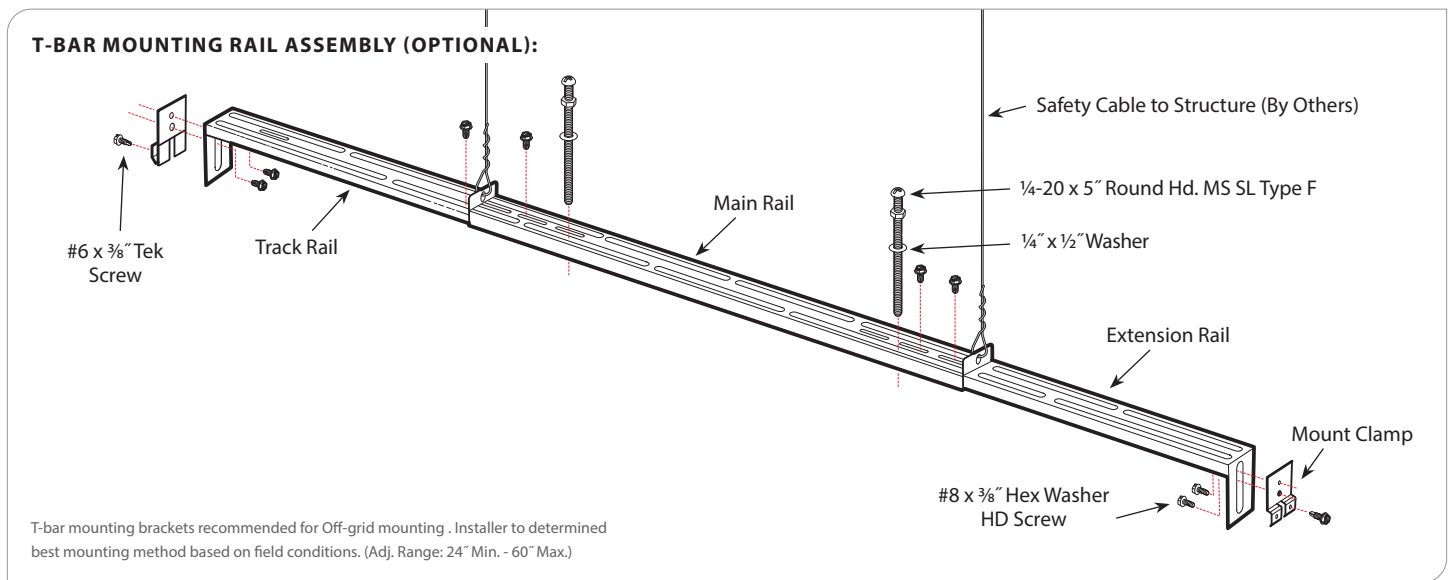


INSTALLATION INSTRUCTIONS

X1, X6 — T-BAR (OFF-GRID)

T-BAR MOUNTING RAIL ASSEMBLY (OPTIONAL)

1. Mark mounting dimensions on ceiling tile and drill (2) $\frac{3}{8}$ " holes.
2. Extend T-BAR mounting rail assembly (101962) to fit t-bar grid. (Figures 1A & 1B). (8-32 x $\frac{1}{2}$ " Washer HD screws may need to be removed to expand rails).
3. Place T-BAR mounting rail assembly against inner wall of t-bar with clamps.
4. Secure assembly to t-bar with clamps (Figures 1B & 1C).
5. Drive #6 x $\frac{3}{8}$ " Tek Screws through clamp and t-bar.
6. Use $\frac{1}{4}$ -20 x 5" Round Hd. Mounting Screws at each mounting locations. Adjust so screw protrudes ceiling tile by $\frac{1}{2}$ ".
7. Attach safety cable (by others) to rail assembly and secure to structure.



WARNING: Ground fixture in accordance with local and national electrical codes. Failure to do so may result in serious personal injury. Fixture Installations should ONLY be done by a qualified licensed electrical professional.

BoltPro Shapes | Pendant Cable Mount



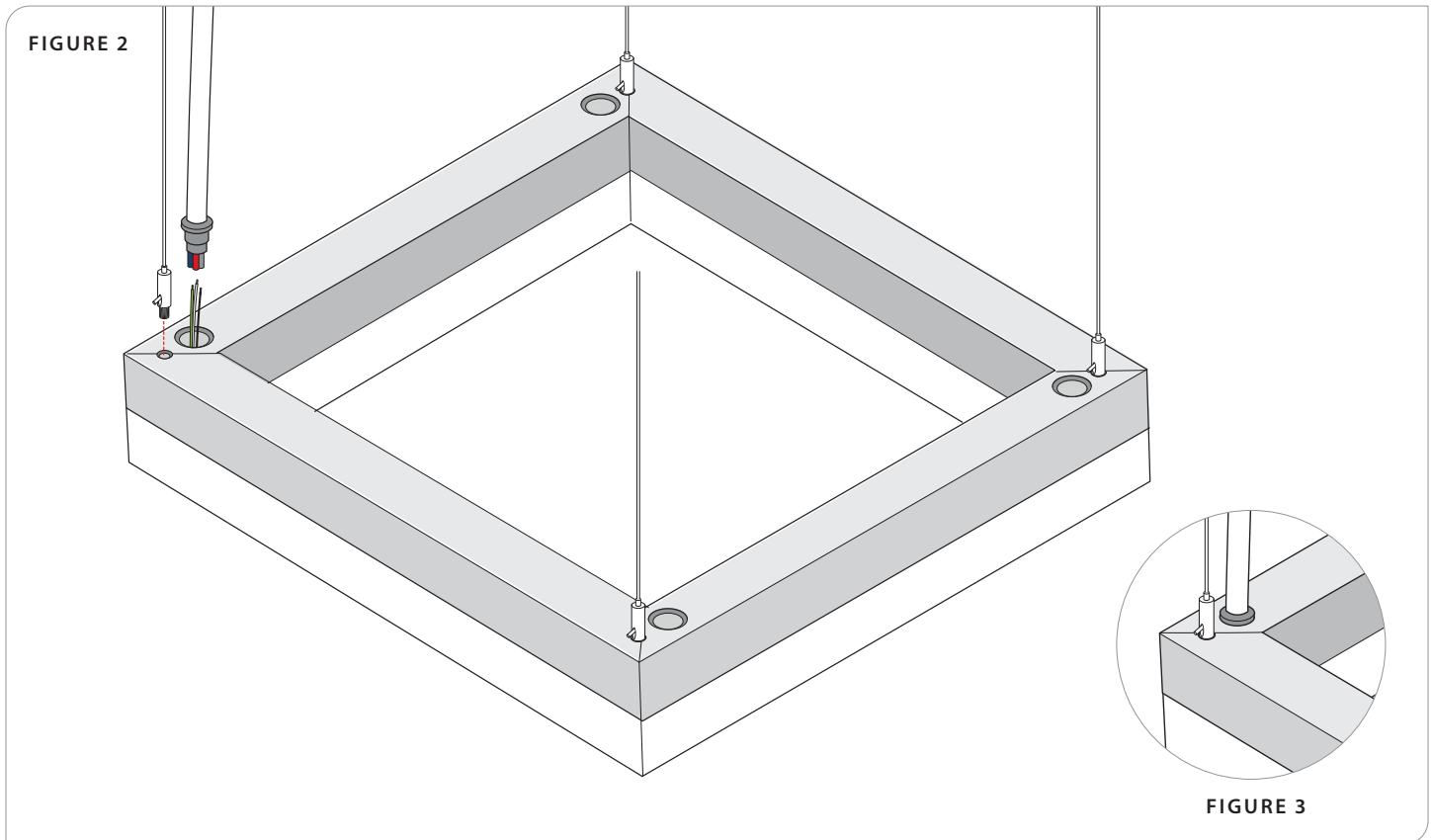
PRUDENTIAL LTG.

PRULITE.COM 213.746.0360

INSTALLATION INSTRUCTIONS

X1, X6 — T-BAR (OFF-GRID)

1. Install cable hardware on ceiling (see separate cable installation instructions).
2. Attach plastic strain relief bushing to end of power cord (figure 2).
3. Attach aircraft cables to housing by screwing the cable gripper into housing at mounting location.
4. Wire power cord to fixture wires protruding the back of fixture housing. For fixtures with internal EM drivers, **DO NOT** plug the connectors until after normal power has been applied to the fixture.
5. Secure power cord to housing by pushing cord into exposed hole until strain relief bushing snaps into place (figure 3).



WIRING:

0-10V (+) : PURPLE	0-10V (-) : PINK
DALI (+) : PURPLE	DALI (-) : PINK
EcoSystem DALI (+) : PURPLE	EcoSystem DALI (-) : PINK
HOT : BLACK	
NEUTRAL : WHITE	
GROUND : GREEN	
CONSTANT HOT (EM) : RED	

WARNING: Ground fixture in accordance with local and national electrical codes. Failure to do so may result in serious personal injury. Fixture Installations should ONLY be done by a qualified licensed electrical professional.

T-Bar (X1) | CAX1

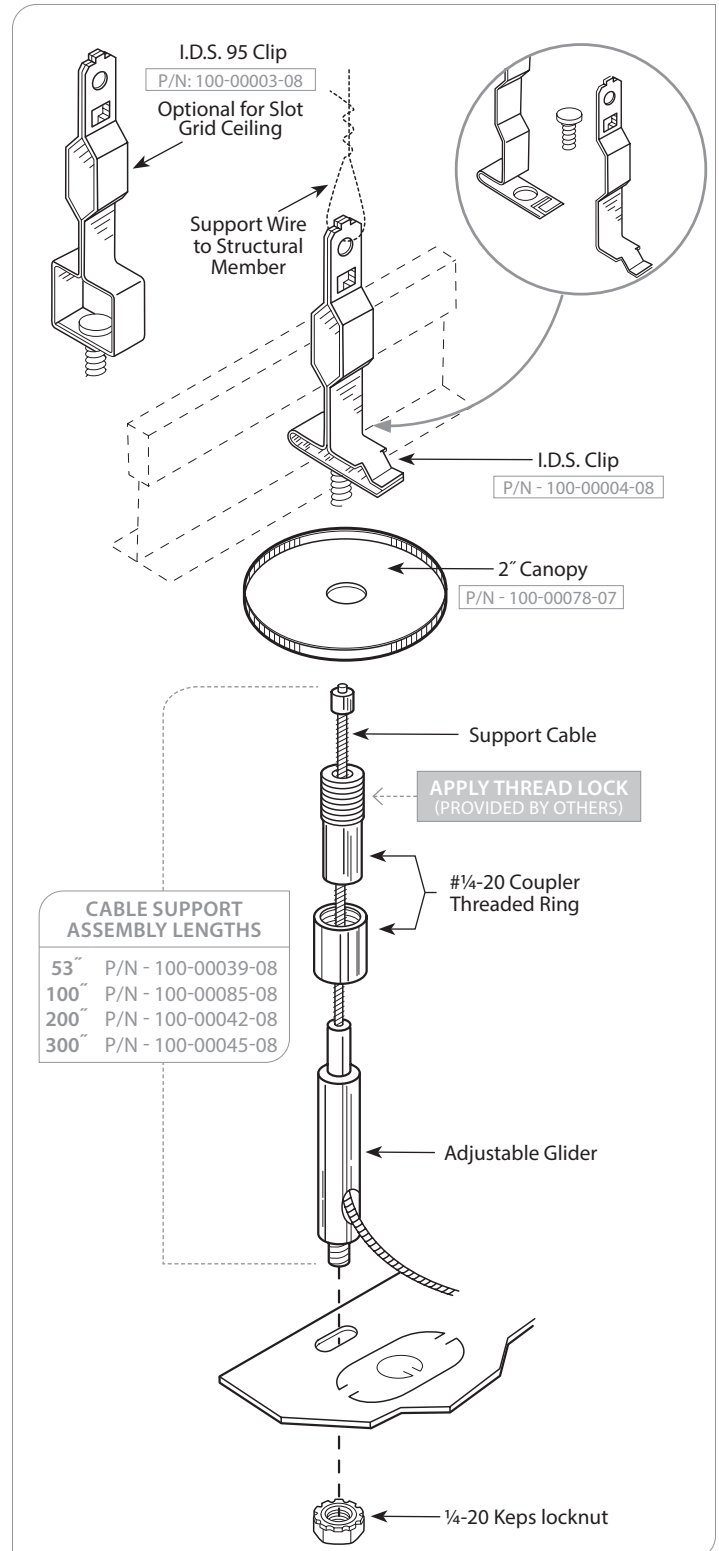
Adjustable Cable Support

INSTALLATION INSTRUCTIONS

INSTALLATION

1. Place 1/4-20 stud into square opening on the bottom of I.D.S. clip. Position I.D.S. clip on ceiling grid at required location. Secure clip to structural member by inserting support wire through 1/4" dia. hole located at top of I.D.S. clip (Wire provided by others).
2. Insert open end of support cable through top threaded end of 1/4-20 coupling. Pull cable until crimp stops inside threaded end of coupling.
3. Push open (non crimped) end of cable through top (smooth end of adjustable glider). Insert cable completely through glider. Glider will engage around cable to prevent slipping. Disengage glider by pressing top smooth end down. Hold in place and pull cable back for adjustment.
4. Insert threaded barrel of adjustable glider through fixture. Securely attach glider to fixture with lock washer and hex nut. (**DO NOT TIGHTEN WITH EXCESS FORCE**). Trim excess cable no less than 3" beyond cable outlet.
5. Lift glider/cable to ceiling (with fixture attached). Place 2" canopy over mounting stud on I.D.S. clip. Hold canopy against ceiling surface. Thread 1/4-20 coupling onto stud (Be sure coupling is secure).

CAUTION: Do not remove crimp from cable. Crimps are factory pressed onto cable for maximum strength. Prudential Lighting will not be responsible for damage or injuries which occur due to cable/crimp alterations. If different cable lengths are required, contact Prudential Lighting immediately.



WARNING: Ground fixture in accordance with local and national electrical codes. Failure to do so may result in serious personal injury. Fixture Installations should ONLY be done by a qualified licensed electrical professional.

T-Bar (X1) | CCAX1

Adjustable Cord / Cable Support

INSTALLATION INSTRUCTIONS

PRUDENTIAL LTG.

PRULITE.COM 213.746.0360

INSTALLATION

- Place 1/4-20 stud into square opening on the bottom of I.D.S. clip. Position I.D.S. clip on ceiling grid at required location. Place A.T. Clip onto ceiling grid. Slide A.T. clip against I.D.S. clip. Attach 3-1/2" octagonal electrical box to A.T. clip with 1/4-20 x 3/4" screw. Place washers between A.T. clip and electrical box. Secure box to grid. (See figure 1).
- Insert open end of support cable through top threaded end of 1/4-20 coupler. Pull cable until crimp stops inside threaded end of coupler. Push (Non-crimped end) of cable through top (smooth end of adjustable glider). Insert cable completely through glider. Hold in place and pull cable for adjustment. Insert threaded barrel of adjustable glider through fixture. Securely attach adjustable glider to fixture with lock washer and hex nut. (**DO NOT TIGHTEN WITH EXCESS FORCE**). Trim excess cable no less than 3" beyond cable outlet.
- Remove 1/2" round K.O. from the fixture. Contractor to field cut SJT cord at specified lengths and strip back a portion of outer insulation from one end of SJT cord. (Contractor to determine amount to be stripped). Insert stripped end of SJT cord through snap bushing. Press snap bushing and cord through 1/2" hole of the fixture. The cord should be secured with strain relief inside fixture.
- Place threaded ring over top of 1/4-20 coupler. Insert 1/4-20 coupler through 1 3/32" dia. center hole on canopy. Slip universal bushing and threaded bushing over top end of SJT cord. Let canopy rest on fixture end. Lift coupler/cable to ceiling with fixture attached. Thread 1/4-20 coupler onto I.D.S. stud. (Be sure coupler is secure). Adjust cable to require distance from ceiling surface.
- Use 1/2" nipple from canopy to electrical box. Trim SJT cord to required length and secure to electrical box with strain relief. Make all wire connections and replace electrical box cover. Lift canopy against ceiling surface. Apply a small amount of thread lock to coupler threaded area. Secure in place with threaded ring. Hold SJT cord under canopy and turn threaded bushing onto 1/2" nipple. Snap universal bushing into threaded bushing.

NOTE: Canopy will accommodate 3-1/2" octagonal electrical box. Electrical box must be attached to A.T. clip. Refer to NEC 370-16 for maximum electrical box fill. Clamp connector and electrical box provided by other.

CAUTION: Do not remove crimp from cable. Crimps are factory pressed onto cable for maximum strength. Prudential Lighting will not be responsible for damage or injuries which occur due to cable/crimp alterations. If different cable lengths are required, contact Prudential Lighting immediately.

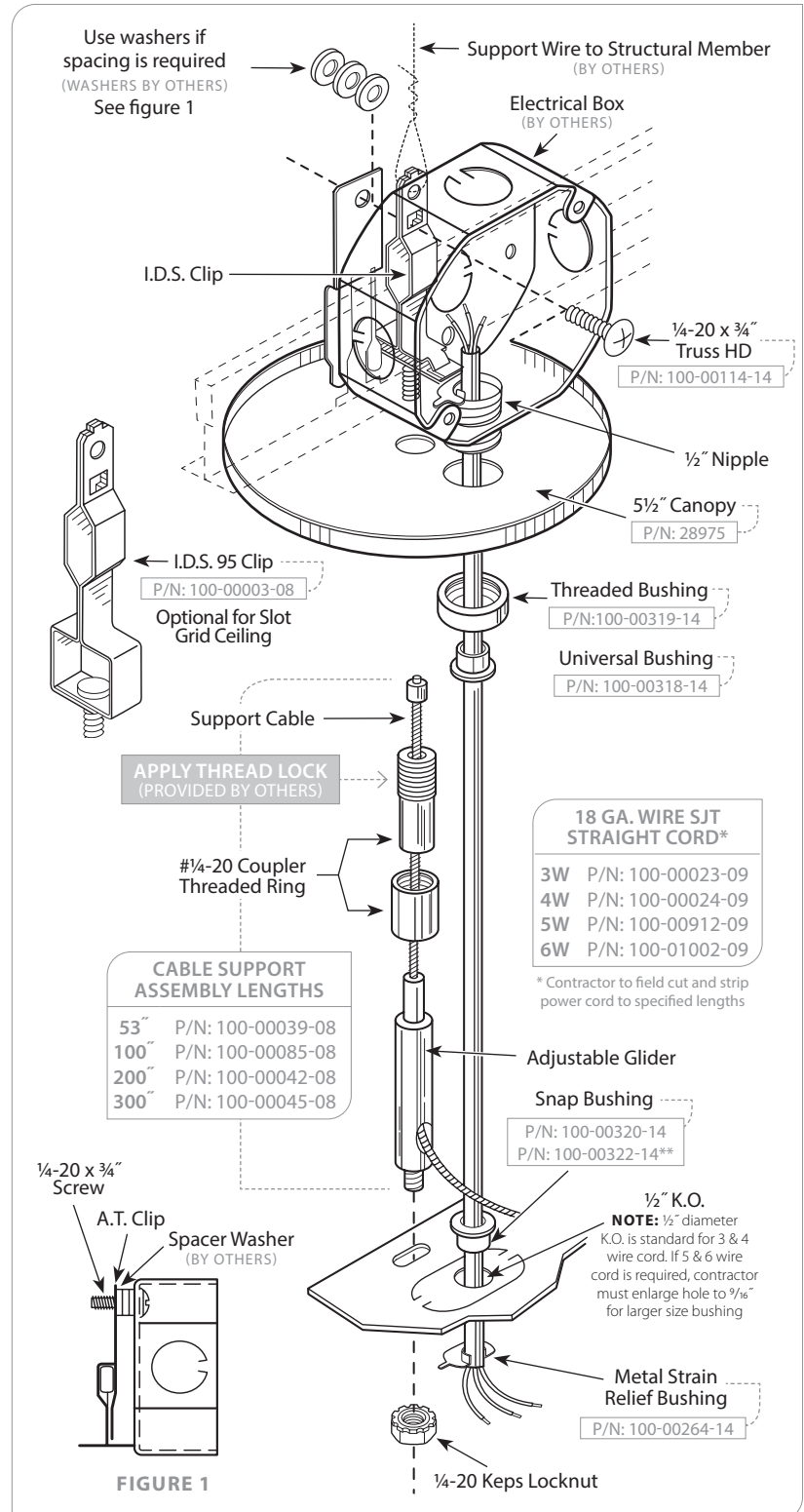


FIGURE 1

WARNING: Ground fixture in accordance with local and national electrical codes. Failure to do so may result in serious personal injury. Fixture Installations should ONLY be done by a qualified licensed electrical professional.



1. Disconnect power from fixture (for an emergency disconnect the couple as well).
2. Remove the lens (figures 1).
3. Remove the LED Trays (figure 2).
4. Replace LED Tray and/or driver with new part.
5. Replace lens.
6. Power Fixture.

FIGURE 1

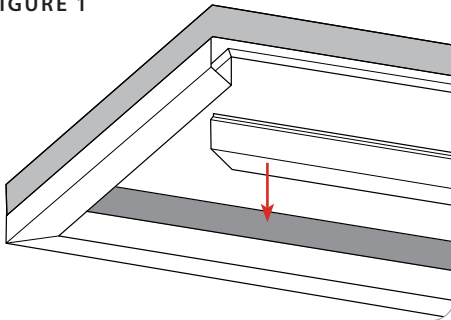
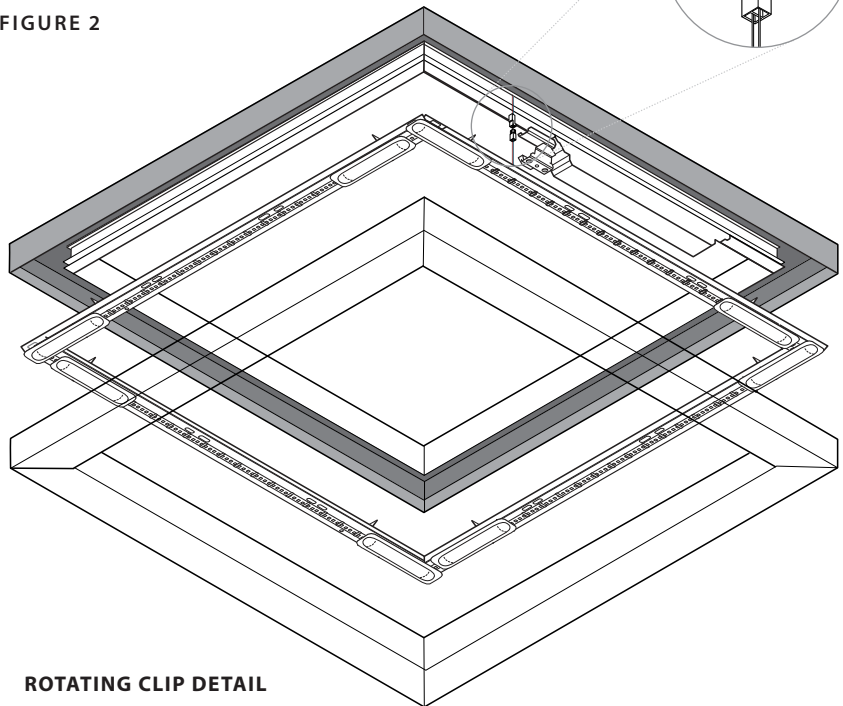
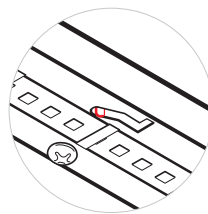


FIGURE 2

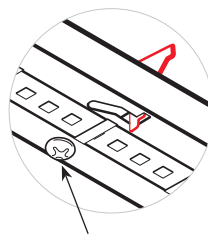


ROTATING CLIP DETAIL



UNLOCK

Turn the Rotating Clip Screw counter-clockwise until the clip is loose. **DO NOT** unscrew completely. Rotate the Rotating Clip counter clockwise till it dead ends in the slot Holding the Rotating Clip in place, tighten the Rotating Clip Screw to maintain the Rotating Clip position.



LOCK

Loosen Rotating Clip Screw until clip is loose. Move Rotating Clip clockwise until its dead end in the slot. Tighten Rotating Clip Screw.

Rotating Clip Screw

WARNING: Ground fixture in accordance with local and national electrical codes. Failure to do so may result in serious personal injury. Fixture Installations should ONLY be done by a qualified licensed electrical professional.

