



BoltPro Shapes | Pendant Cable Mount

INSTALLATION INSTRUCTIONS



PRUDENTIAL LTG.

PRULITE.COM 213.746.0360

PART	PART NO.	DESCRIPTION
CABLE MOUNT HARDWARE SHIPPED SEPARATELY		
	100-00004-08	I.D.S. Clip (X1 - Standard)
	100-00003-08	I.D.S. 95 Clip (X2, X6)
	19031	Mounting Strap (X3)
	100-00091-08	A.T Clip (X1, X2, X6)
	100-00114-14	1/4-20 x 3/4 Truss Head Screw

PRU CABLE ASSEMBLY:

	100-00039-08	53"	
	100-00085-08	100"	Aircraft Cable
	100-00042-08	200"	
	100-00262-14	3/4 WIRE	Metal Strain Relief Bushing
	100-00264-14	5/6 WIRE	
	100-00319-14	WHITE	Threaded Bushing
	100-00316-14	BLACK	
	100-00318-14	WHITE	5/8 Universal Bushing
	100-00321-14	BLACK	
	100-00284-14		1/2 x 1 1/8 IPT Brass Threaded Nipple
	100-00239-14		1/2 IP Knurled Nut
	100-00228-14	3/4 WIRE	Plastic Strain Relief Bushing
	100-00346-14	5/6 WIRE	

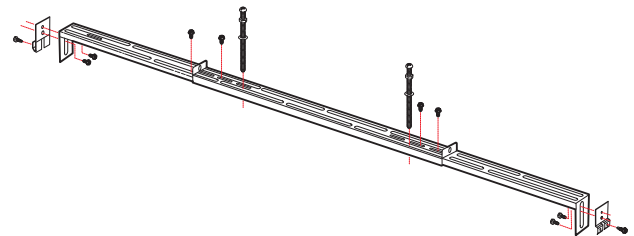
18GA SJT CORD:

	3 WIRE	4 WIRE	5 WIRE	6 WIRE
	WHITE 100-00023-09	100-00024-09	100-00912-09	100-01002-09
	WHITE 600v 100-00059-09	100-00060-09	100-00919-09	100-00604-09
	BLACK 100-00956-09	100-00025-09	100-00933-09	100-00317-09
	BLACK 600v 100-00318-09	100-00606-09	100-00457-09	100-00607-09

PARTS LIST	PART NO.	DESCRIPTION
CANOPIES:		
	28975	5 1/2" Ø SPF Canopy (2 Hole)
	65392	5 1/2" Ø DPF Canopy (3 Hole)
	100-00006-08	5 1/2" Ø NPF Canopy (X3)
	100-00078-07	2" Ø NPF Canopy (1 Hole) (X1, X2, X6)
	138571	Magnetic Flash Suppression Device

T-BAR MOUNTING RAIL ASSEMBLY (OPTIONAL FOR OFF-GRID MOUNTING):

101962



	100-00283-14	1/4-20 x 5" Round Hd. MS SL Type F
	100-00165-14	1/4" Hex Nut
	100-00008-14	1/4" x 1/2" Washer
	100-00086-14	#6 x 3/8" Tek Screw

WARNING: Ground fixture in according with local and national electrical codes. Failure to do so may result in serious personal injury.



Prudential Ltg. reserves the right to change design specifications or materials without notice. Please visit prulite.com for most current data.
© 2015 All rights reserved - All products manufactured at: Prudential Ltg. 1774 E. 21st Street, Los Angeles, CA 90058



BoltPro Shapes | Pendant Cable Mount

INSTALLATION INSTRUCTIONS



PRUDENTIAL LTG.

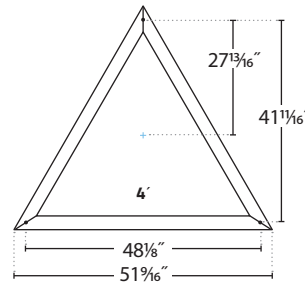
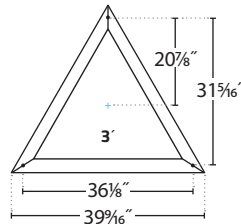
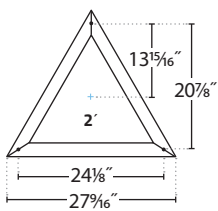
PRULITE.COM 213.746.0360

GENERAL NOTES

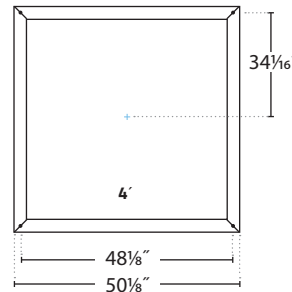
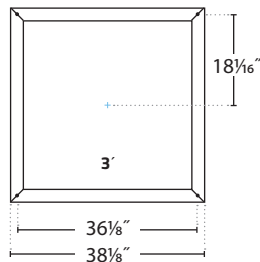
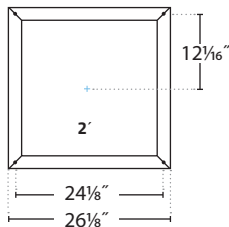
- Depending upon ceiling construction, reinforcement may be required at Mounting Locations.
- Fixture dis-assembly not required for installation.
- If mounting location is off-grid, 1/4-20 All Thread will be required at that mounting location to attach the support cable.

MOUNTING LOCATIONS

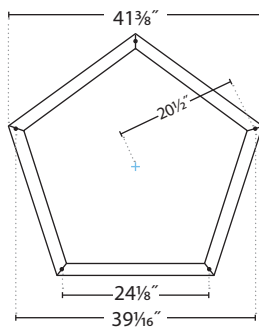
TRIANGLE



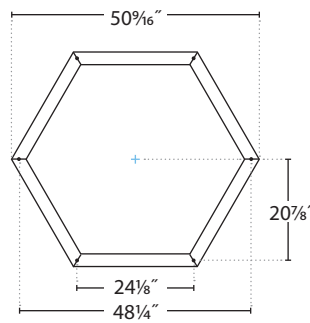
SQUARE



PENTAGON

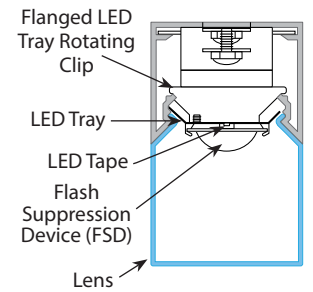


HEXAGON



- Cable, Stem & Surface Mounting

CROSS SECTION



WARNING: Ground fixture in according with local and national electrical codes. Failure to do so may result in serious personal injury.



Prudential Ltg. reserves the right to change design specifications or materials without notice. Please visit prulite.com for most current data. © 2015 All rights reserved – All products manufactured at: Prudential Ltg. 1774 E. 21st Street, Los Angeles, CA 90058



BoltPro Shapes | Pendant Cable Mount

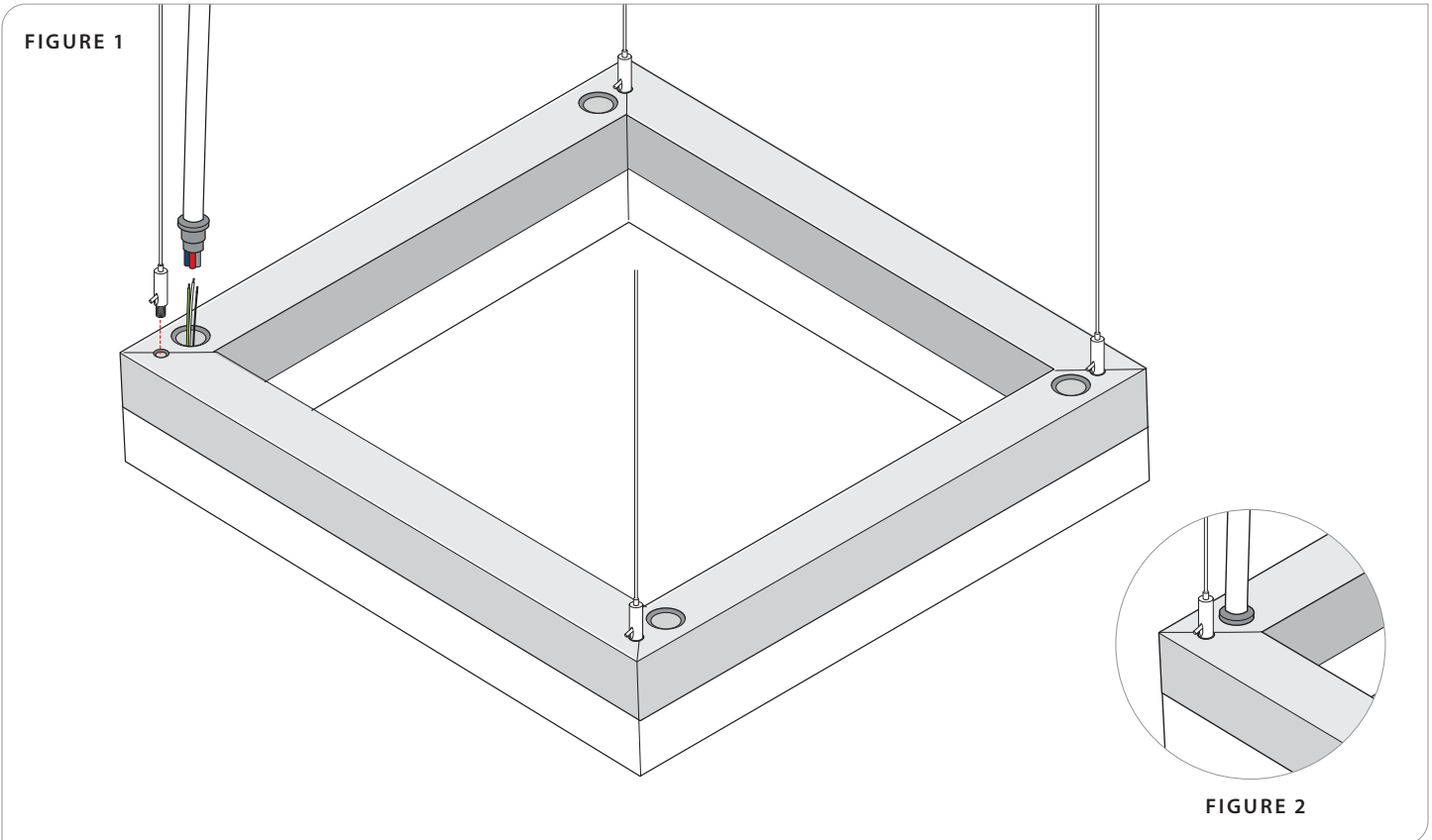
INSTALLATION INSTRUCTIONS



PRUDENTIAL LTG.

PRULITE.COM 213.746.0360

1. Install cable hardware on ceiling (see separate cable installation instructions).
2. Attach plastic strain relief bushing to end of power cord (figure 1).
3. Attach aircraft cables to housing by screwing the cable gripper into housing at mounting location.
4. Wire power cord to fixture wires protruding the back of fixture housing. For fixtures with internal EM drivers, **DO NOT** plug the connectors until after normal power has been applied to the fixture.
5. Secure power cord to housing by pushing cord into exposed hole until strain relief bushing snaps into place (figure 2).



WIRING:

0-10V (+): PURPLE	0-10V (-): GREY
DALI (+): PURPLE	DALI (-): GREY
EcoSystem DALI (+): PURPLE	EcoSystem DALI (-): GREY
HOT: BLACK	
NEUTRAL: WHITE	
GROUND: GREEN	
CONSTANT HOT (EM): RED	

WARNING: Ground fixture in according with local and national electrical codes. Failure to do so may result in serious personal injury.



Prudential Ltg. reserves the right to change design specifications or materials without notice. Please visit prulite.com for most current data.
© 2015 All rights reserved – All products manufactured at: Prudential Ltg. 1774 E. 21st Street, Los Angeles, CA 90058



1. Disconnect power from fixture (for an emergency disconnect the couple as well).
2. Remove the lens (figures 1).
3. Remove the LED Trays (figure 2).
4. Replace LED Tray and/or driver with new part.
5. Replace lens.
6. Power Fixture.

FIGURE 1

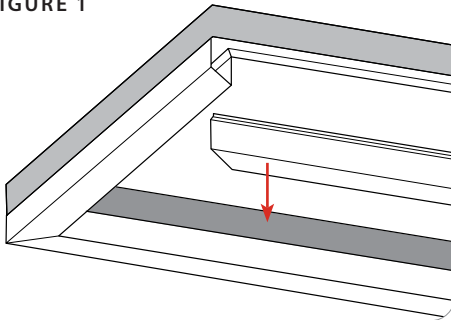
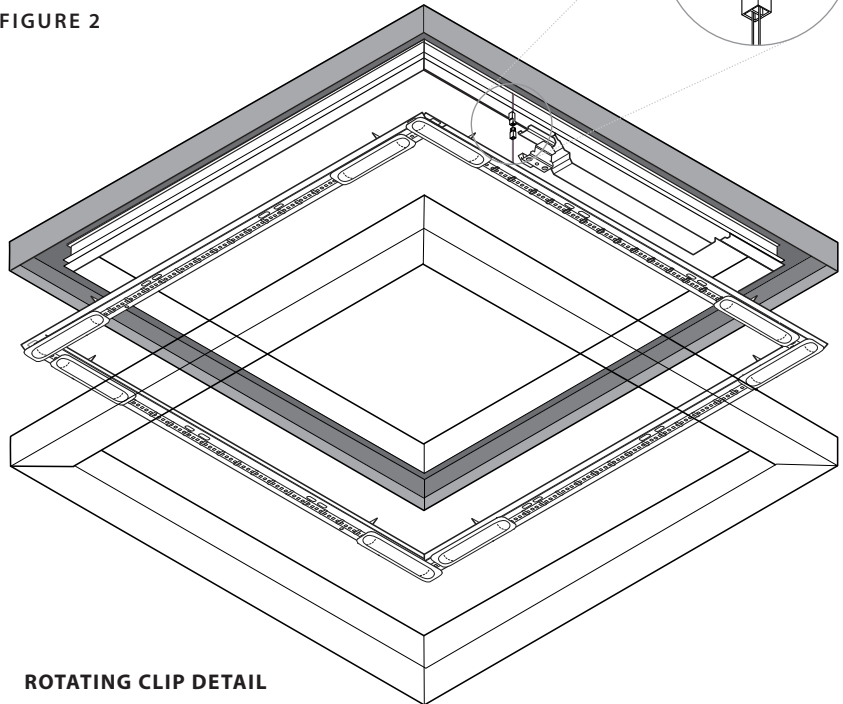
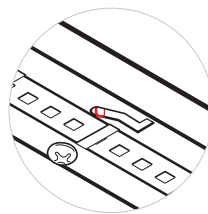


FIGURE 2

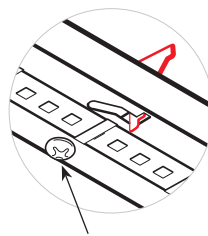


ROTATING CLIP DETAIL



UNLOCK

Turn the Rotating Clip Screw counter-clockwise until the clip is loose. **DO NOT** unscrew completely. Rotate the Rotating Clip counter clockwise till it dead ends in the slot Holding the Rotating Clip in place, tighten the Rotating Clip Screw to maintain the Rotating Clip position.



LOCK

Loosen Rotating Clip Screw until clip is loose. Move Rotating Clip clockwise until its dead end in the slot. Tighten Rotating Clip Screw.

Rotating Clip Screw

WARNING: Ground fixture in according with local and national electrical codes. Failure to do so may result in serious personal injury.

