

# BoltPro | Surface, Wall

## Surface Mount

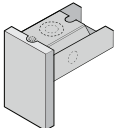
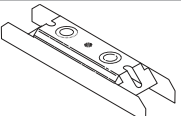

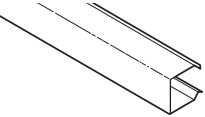

### INSTALLATION INSTRUCTIONS

### X1, X2, X6 — T-BAR (OFF-GRID)

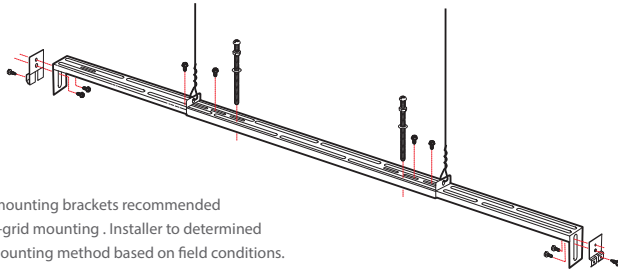


PRUDENTIAL LTG.





PRULITE.COM 213.746.0360

PARTS LIST	PART NO .	DESCRIPTION
	102895	Die Cast End Plate (INSTALLED ON INDIVIDUALS / SHIPPED SEPARATE FOR ROWS)
	132817	Joiner Bracket (SHIPPED SEPARATE FOR ROWS)
	100-00137-14	#8-32 PAL Nut (SHIPPED SEPARATE FOR ROWS)
		Lens (INSTALLED ON INDIVIDUALS / SHIPPED SEPARATE FOR ROWS)
	138571	Magnetic Flash Suppression Device

#### T-BAR MOUNTING RAIL ASSEMBLY (OPTIONAL FOR OFF-GRID MOUNTING): 101962



T-bar mounting brackets recommended for Off-grid mounting. Installer to determined best mounting method based on field conditions. (Adj. Range: 24° Min. - 60° Max.)

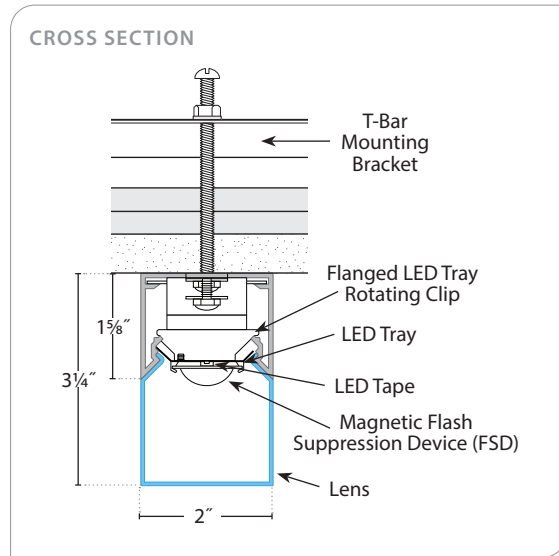
	100-00283-14	1/4-20 x 5" Round Hd. MS SL Type F
	100-00165-14	1/4-20 Hex Nut
	100-00008-14	1/4" x 1/2" Washer
	100-00086-14	#6 x 3/8" Tek Screw

**WARNING:** Ground fixture in accordance with local and national electrical codes. Failure to do so may result in serious personal injury. Fixture Installations should ONLY be done by a qualified licensed electrical professional.



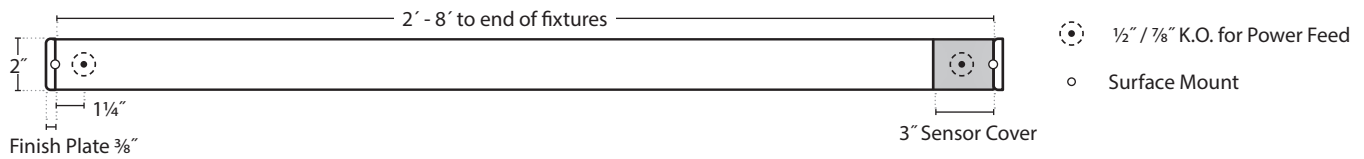
#### GENERAL NOTES

- See row diagram or Prudential Ltg. layout plan (if provided). Begin all row mounting from left to right (see arrows).
- Depending upon ceiling or wall construction reinforcement may be required at mounting locations.
- **FOR CONTINUOUS ROW:** Fixture to be installed without any gaps between fixture housings. Gaps between fixture housings will cause gaps between the lenses.

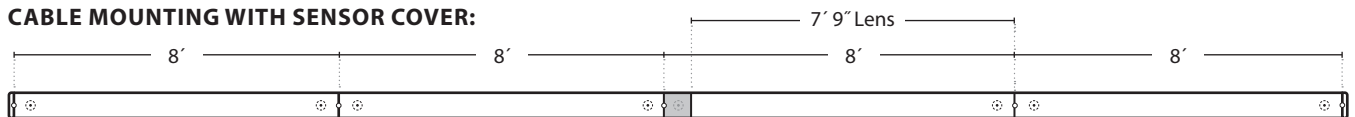


#### MOUNTING LOCATIONS

##### INDIVIDUAL FIXTURE:



##### CABLE MOUNTING WITH SENSOR COVER:



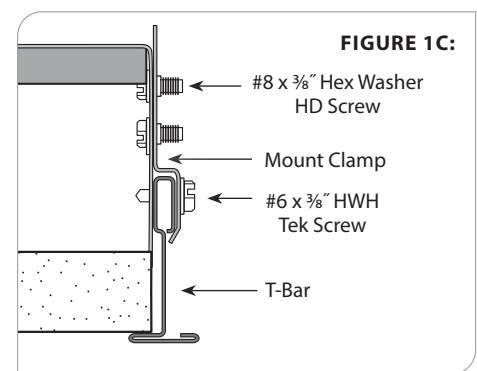
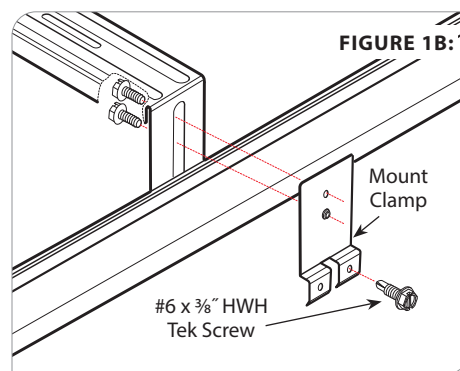
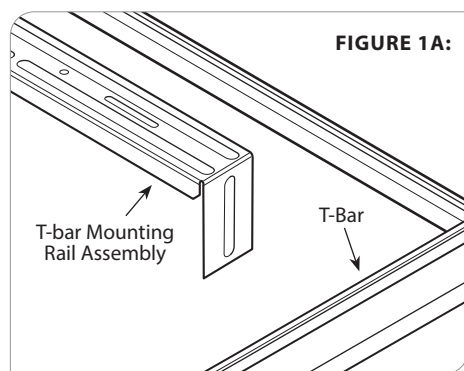
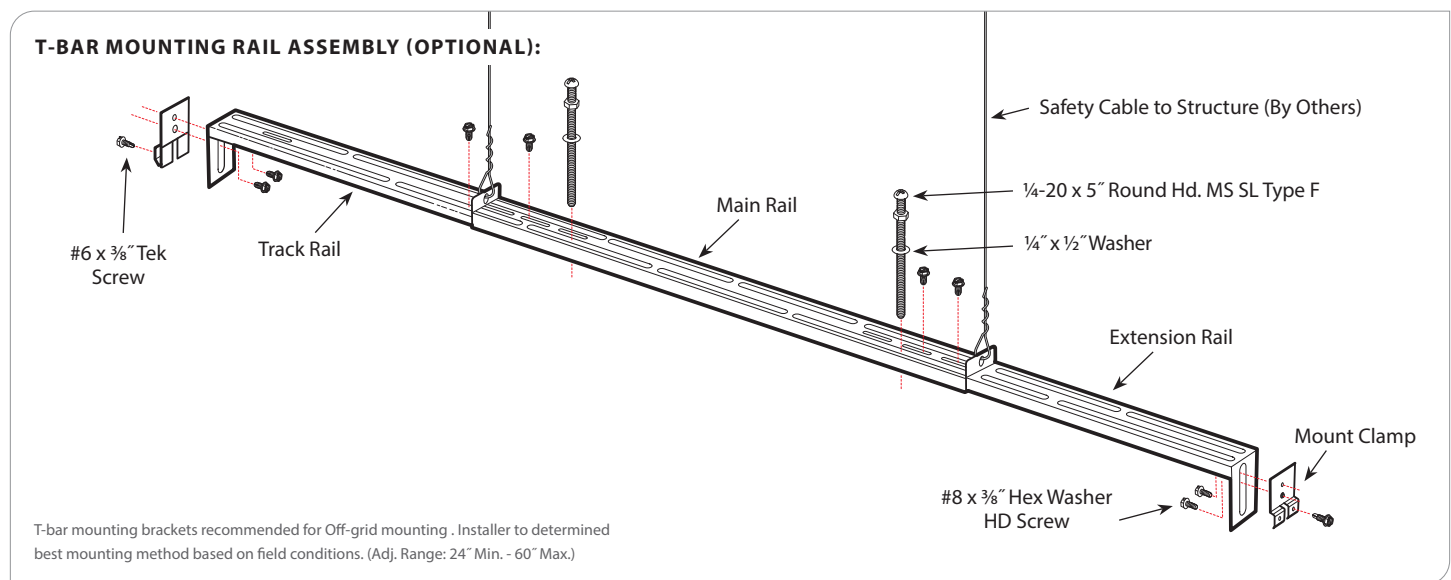
**NOTE:** 3" sensor cover can be installed at the center or end of fixture. Location must be specified at time of order.

**WARNING:** Ground fixture in accordance with local and national electrical codes. Failure to do so may result in serious personal injury. Fixture installations should ONLY be done by a qualified licensed electrical professional.



#### T-BAR MOUNTING RAIL ASSEMBLY (OPTIONAL)

1. Mark mounting dimensions on ceiling tile and drill (2)  $\frac{3}{8}$ " holes.
2. Extend T-BAR mounting rail assembly (101962) to fit t-bar grid. (Figures 1A & 1B). (8-32 x  $\frac{1}{2}$ " Washer HD screws may need to be removed to expand rails).
3. Place T-BAR mounting rail assembly against inner wall of t-bar with clamps.
4. Secure assembly to t-bar with clamps (Figures 1B & 1C).
5. Drive #6 x  $\frac{3}{8}$ " Tek Screws through clamp and t-bar.
6. Use  $\frac{1}{4}$ -20 x 5" Round Hd. Mounting Screws at each mounting location. Adjust so screw protrudes ceiling tile by  $\frac{1}{2}$ ".
7. Attach safety cable (by others) to rail assembly and secure to structure.



**WARNING:** Ground fixture in accordance with local and national electrical codes. Failure to do so may result in serious personal injury. Fixture Installations should ONLY be done by a qualified licensed electrical professional.



### INSTALLATION INSTRUCTIONS

## X1, X2, X6 — T-BAR (OFF-GRID)

### INDIVIDUAL

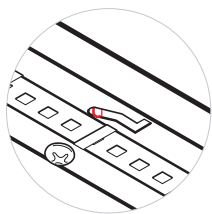
REFER TO PAGE 3 FOR OPTIONAL T-BAR MOUNTING RAIL ASSEMBLY

1. Remove Lens from fixture.
2. Unlock LED tray from clips and remove the LED tray by unplugging the LED lead wire disconnects on first fixture, remove LED Tray (figure 2).
3. Mount fixture to ceiling surface through 1/4" diameter holes (mounting hardware provided by others) & make all electrical connections from ceiling to fixture (figure 3, page 5). For fixtures with internal EM drivers, **DO NOT** plug the connectors until after normal power has been applied to the fixture.
4. Re-install reflectors. Ensure no wires are pinched between trays and housing to avoid electrical and alignment issues.
5. Re-install lenses. Some lenses may require field trimming.

#### WIRING:

0-10V (+) : PURPLE	0-10V (-) : PINK
DALI (+) : PURPLE	DALI (-) : PINK
EcoSystem DALI (+) : PURPLE	EcoSystem DALI (-) : PINK
HOT : BLACK	
NEUTRAL : WHITE	
GROUND : GREEN	
CONSTANT HOT (EM) : RED	

#### ROTATING CLIP DETAIL



#### UNLOCK

Turn the Rotating Clip Screw counter-clockwise until the clip is loose. **DO NOT** unscrew completely. Rotate the Rotating Clip counter clockwise till it dead ends in the slot holding the Rotating Clip in place, tighten the Rotating Clip Screw to maintain the Rotating Clip position.

#### LOCK

Loosen Rotating Clip Screw until clip is loose. Move Rotating Clip clockwise until its dead end in the slot. Tighten Rotating Clip Screw.

Rotating Clip Screw

Rotating Clip Screw

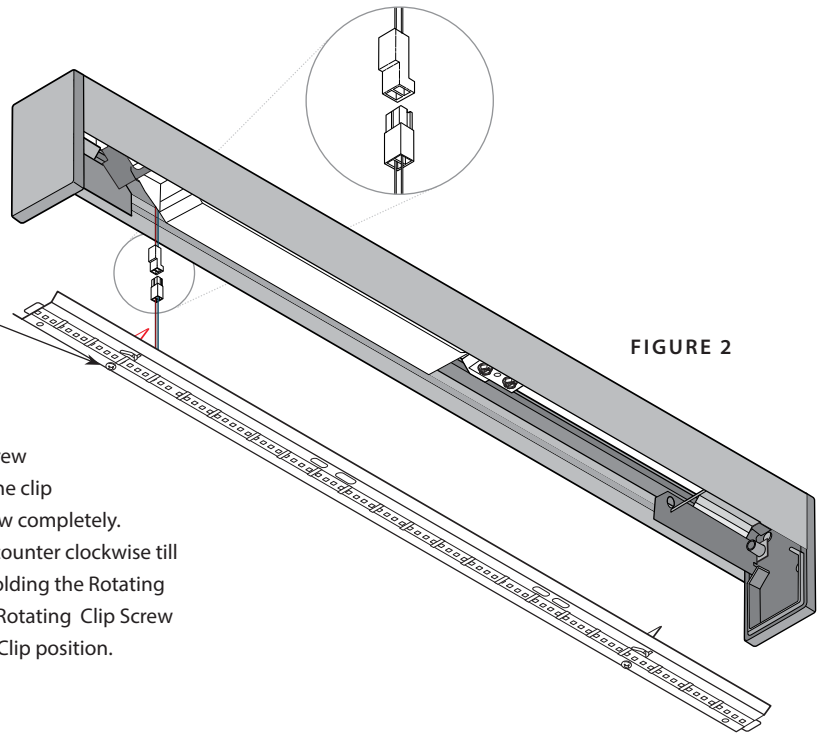


FIGURE 2

**WARNING:** Ground fixture in accordance with local and national electrical codes. Failure to do so may result in serious personal injury. Fixture Installations should ONLY be done by a qualified licensed electrical professional.



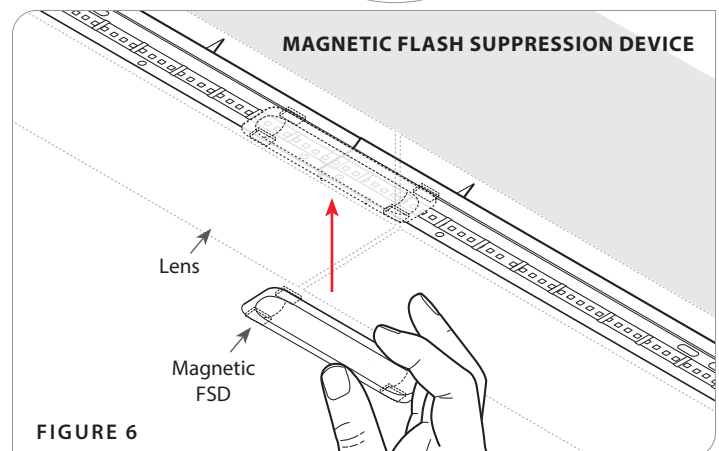
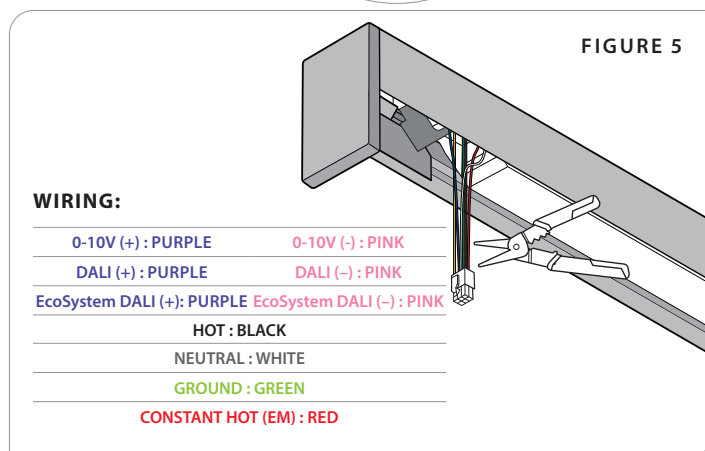
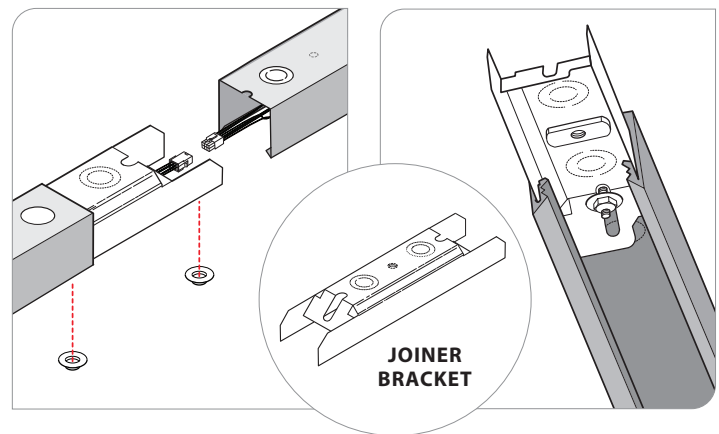
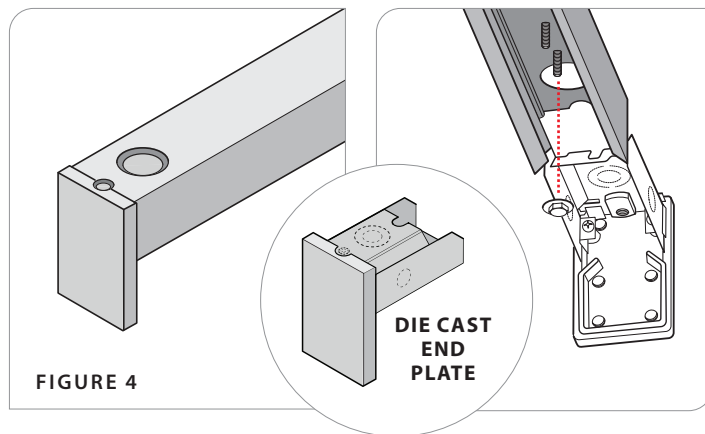
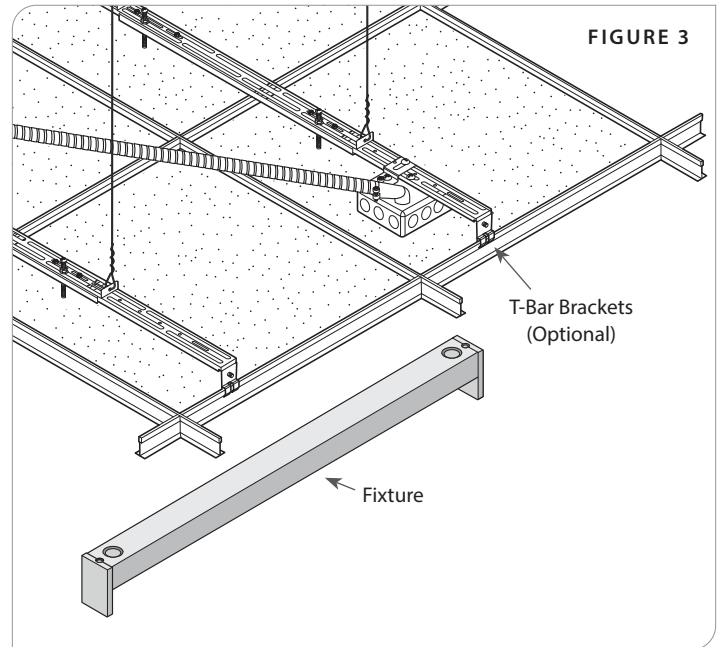
### INSTALLATION INSTRUCTIONS

## X1, X2, X6 — T-BAR (OFF-GRID)

### CONTINUOUS ROWS

REFER TO PAGE 3 FOR OPTIONAL T-BAR MOUNTING RAIL ASSEMBLY

1. Unlock LED tray from clips and remove the LED tray by unplugging the LED lead wire disconnects on first fixture, remove LED Tray (figure 2, page 4).
2. Cut lead end of the wire harness and strip wires. Make electrical connections (figure 5).
3. Remove reflector on all subsequent fixtures (intermediates and ends).
  - Install Joiner on right end of all intermediate fixtures and secure with pal nut.
  - Install die cast end plate on right end of end fixtures.
4. Join fixture by sliding the left hand end onto joiner of previously installed fixture and secure with pal nut. Screw the cable gripper in the mounting hole on right-hand end of fixture. Continue this until all fixtures in the row are installed.
5. Plug circuit assembly together for wiring rest of row.
6. Re-install reflectors. Ensure no wires are pinched between trays and housing to avoid electrical and alignment issues.
7. Install magnetic flash suppression devices at all lens seams (figure 6).
8. Re-install lenses. Some lenses may require field trimming.



**WARNING:** Ground fixture in accordance with local and national electrical codes. Failure to do so may result in serious personal injury. Fixture Installations should ONLY be done by a qualified licensed electrical professional.