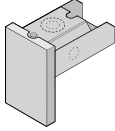
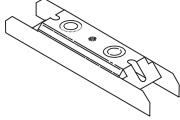


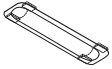
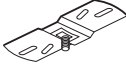
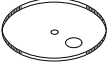

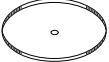


## X3 — HARD CEILING








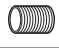


PARTS LIST	PART NO .	DESCRIPTION
	102895	Die Cast End Plate (INSTALLED ON INDIVIDUALS / SHIPPED SEPARATE FOR ROWS)
	132817	Joiner Bracket (SHIPPED SEPARATE FOR ROWS)
	100-00137-14	#8-32 PAL Nut (SHIPPED SEPARATE FOR ROWS)
		Lens (INSTALLED ON INDIVIDUALS / SHIPPED SEPARATE FOR ROWS)
	138571	Magnetic Flash Suppression Device
	19031	Mounting Strap

#### CANOPIES:

	28975	5 1/2" Ø SPF Canopy (2 Hole)
	65392	5 1/2" Ø DPF Canopy (3 Hole)
	100-00006-08	5 1/2" Ø NPF Canopy X3 (1 Hole)

#### 18GA SJT CORD:

	3 WIRE	4 WIRE	5 WIRE	6 WIRE
	WHITE 100-00023-09	100-00024-09	100-00912-09	100-01002-09
	WHITE 600v 100-00059-09	100-00060-09	100-00919-09	100-00604-09
	BLACK 100-00956-09	100-00025-09	100-00933-09	100-00317-09
	BLACK 600v 100-00318-09	100-00606-09	100-00457-09	100-00607-09

PARTS LIST	PART NO.	DESCRIPTION
<b>PRU CABLE ASSEMBLY:</b>		
	100-00039-08 53"	
	100-00085-08 100"	Aircraft Cable
	100-00042-08 200"	
	100-00262-14 3/4 WIRE	Metal Strain Relief Bushing
	100-00264-14 5/6 WIRE	
	100-00319-14 WHITE	Threaded Bushing
	100-00316-14 BLACK	
	100-00318-14 WHITE	5/8" Universal Bushing
	100-00321-14 BLACK	
	100-00284-14	1/2" x 1/8" IPT Brass Threaded Nipple
	100-00239-14	1/2" IP Knurled Nut
	100-00228-14 3/4 WIRE	Plastic Strain Relief Bushing
	100-00346-14 5/6 WIRE	

**WARNING:** Ground fixture in accordance with local and national electrical codes. Failure to do so may result in serious personal injury. Fixture Installations should ONLY be done by a qualified licensed electrical professional.



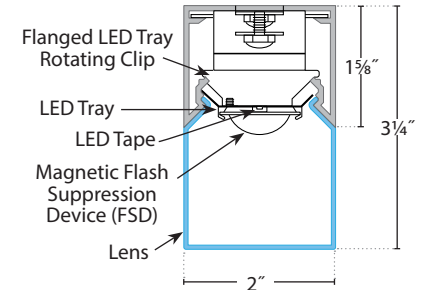
#### GENERAL NOTES

- See row diagram or Prudential Ltg. layout plan (if provided).  
Begin all row mounting from left to right (see arrows).
- Depending upon ceiling or wall construction reinforcement may be required at mounting locations.
- Power cord provided in bulk and is to be cut to length and stripped by installer unless "PIF" is specified.

#### CONTINUOUS ROW

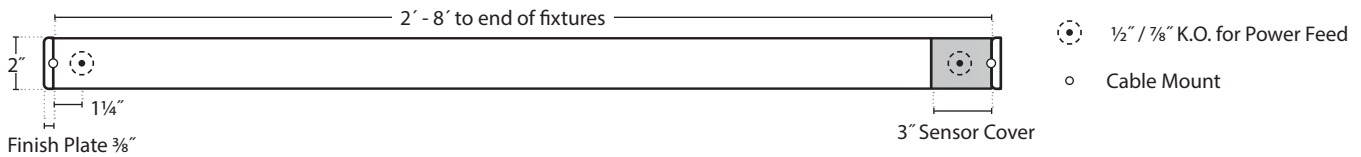
- Install one fixture section at a time.
- Some field trimming of lenses may be required (see layout drawing).
- We recommend using a chop saw with an 80 tooth blade for trimming lenses.
- Fixture to be installed without any gaps between fixture housings.  
Gaps between fixture housings will cause gaps between the lenses.

#### CROSS SECTION

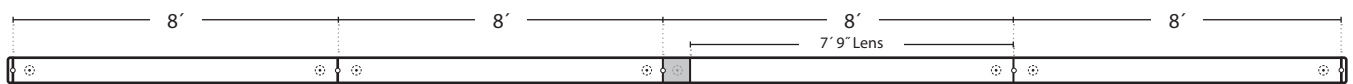


#### MOUNTING LOCATIONS

##### INDIVIDUAL FIXTURE:



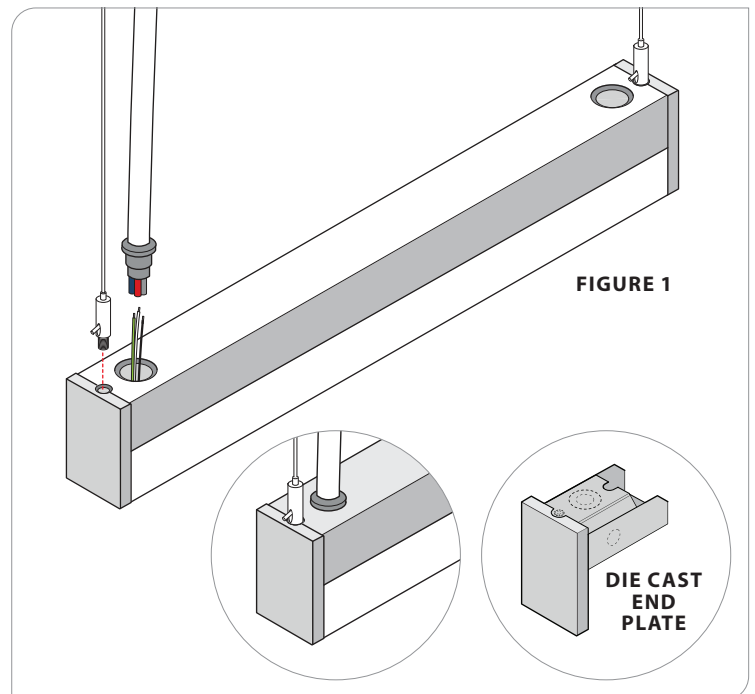
##### CABLE MOUNTING WITH SENSOR COVER:



**NOTE:** 3" sensor cover can be installed at the center or end of fixture. Location must be specified at time of order.

#### INDIVIDUAL

1. Install cable hardware on ceiling (see separate cable installation instructions).
2. Attach plastic strain relief bushing to end of power cord (figure 1).
3. Attach aircraft cables to housing by screwing the cable gripper into housing at mounting location.
4. Wire power cord to fixture wires protruding the back of fixture housing. For fixtures with internal EM drivers, **DO NOT** plug the connectors until after normal power has been applied to the fixture.
5. Secure power cord to housing by pushing cord into exposed hole until strain relief bushing snaps into place.



#### WIRING:

0-10V (+) : PURPLE	0-10V (-) : PINK
DALI (+) : PURPLE	DALI (-) : PINK
EcoSystem DALI (+) : PURPLE	EcoSystem DALI (-) : PINK
HOT : BLACK	
NEUTRAL : WHITE	
GROUND : GREEN	
CONSTANT HOT (EM) : RED	

**WARNING:** Ground fixture in accordance with local and national electrical codes. Failure to do so may result in serious personal injury. Fixture Installations should ONLY be done by a qualified licensed electrical professional.

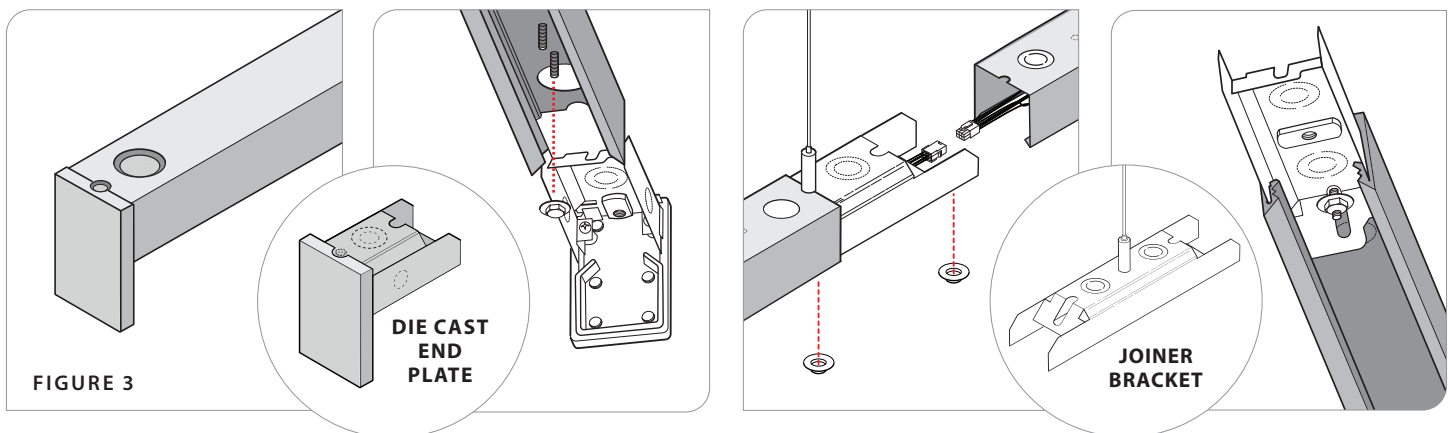
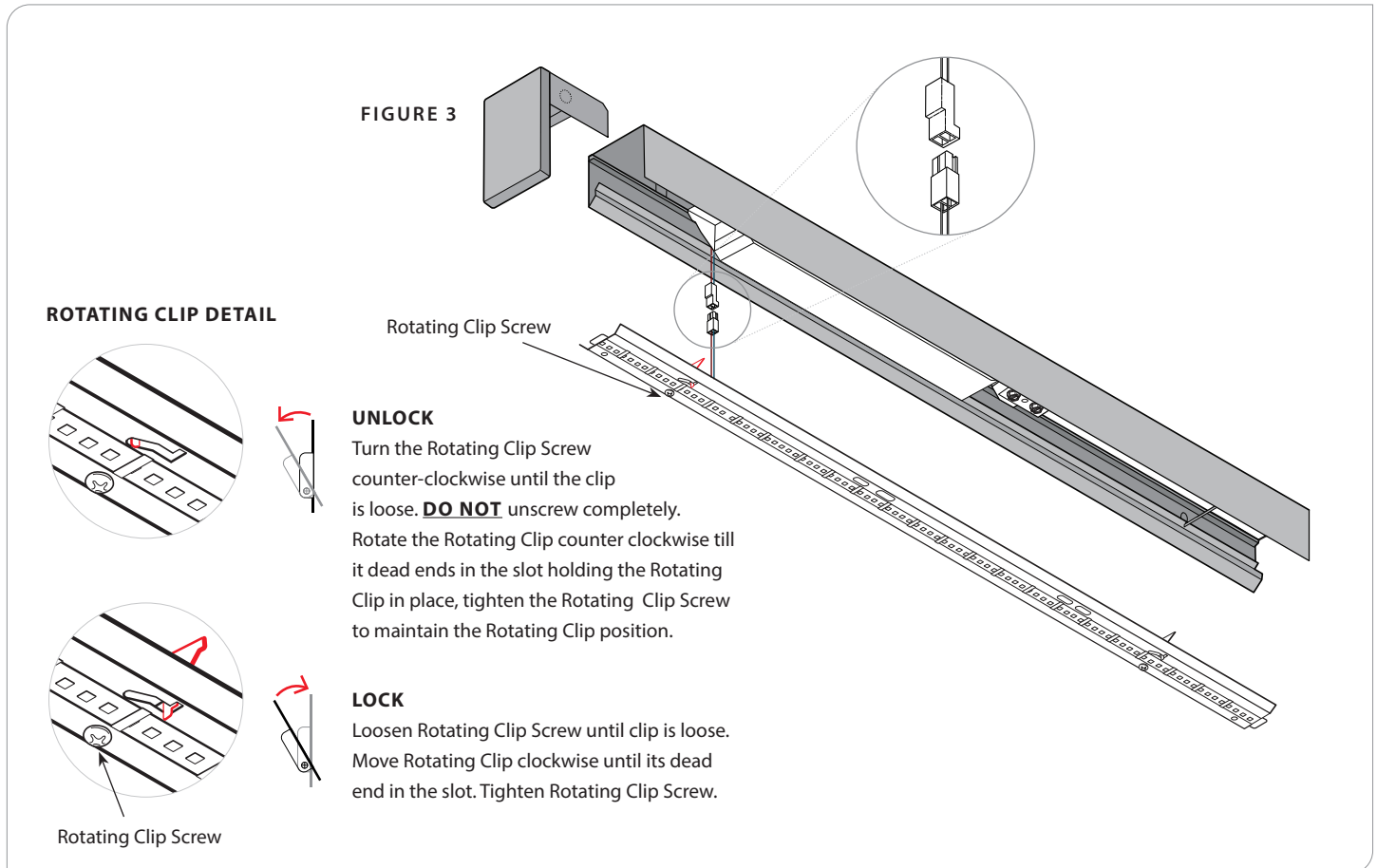


## INSTALLATION INSTRUCTIONS

### X3 — HARD CEILING

#### CONTINUOUS ROWS

1. Unlock LED tray from clips and remove the LED tray by unplugging the LED lead wire disconnects on first fixture, remove LED Tray (figure 2).
2. Install die cast end plate to start (left end of fixture) and joiner on the seam end (figure 3).
3. Hang fixtures by screwing bottom cable gripper to welded nut on the cable mounting hole on both ends of start fixture.
4. Install plastic strain relief bushing to power cord and snap it into the fixture (figure 4).

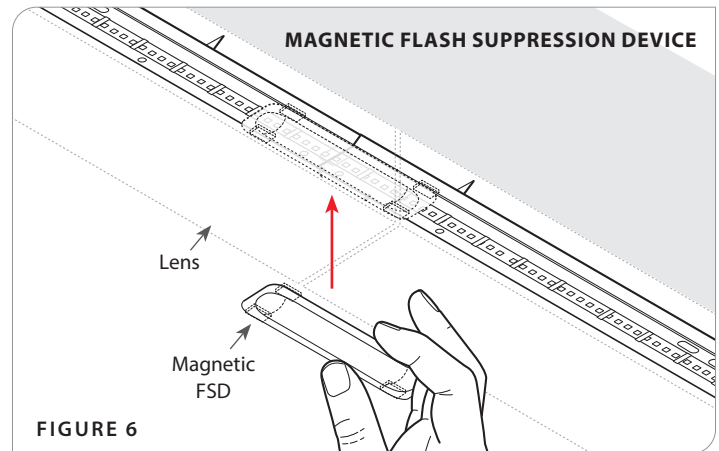
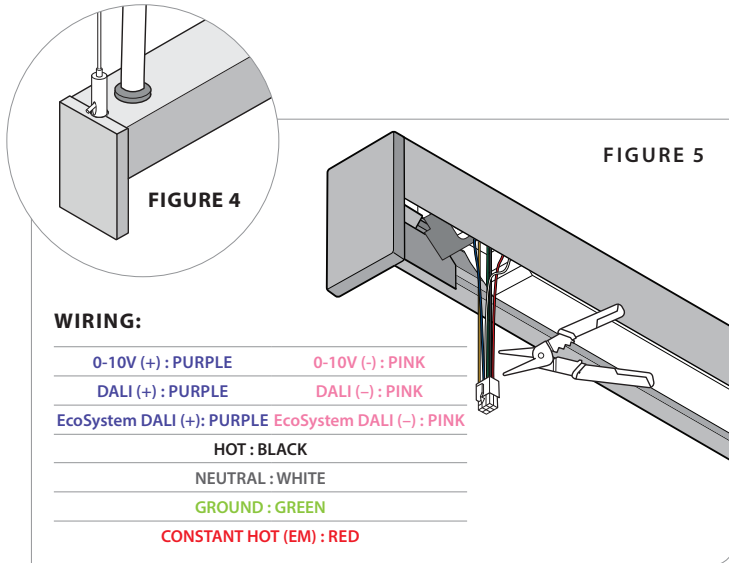


**WARNING:** Ground fixture in accordance with local and national electrical codes. Failure to do so may result in serious personal injury. Fixture Installations should ONLY be done by a qualified licensed electrical professional.

### X3 — HARD CEILING



5. Cut lead end of the wire harness and strip wires. Make electrical connections (figure 5).
6. Remove reflector on all subsequent fixtures (intermediates and ends).
  - Install Joiner on right end of all intermediate fixtures and secure with pal nut.
  - Install die cast end plate on right end of end fixtures.
7. Join fixture by sliding the left hand end onto joiner of previously installed fixture and secure with pal nut. Screw the cable gripper in the mounting hole on right-hand end of fixture. Continue this until all fixtures in the row are installed.
8. Plug circuit assembly together for wiring rest of row.
9. Re-install reflectors. Ensure no wires are pinched between trays and housing to avoid electrical and alignment issues.
10. Install magnetic flash suppression devices at all lens seams (figure 6).
11. Re-install lenses. Some lenses may require field trimming.



**WARNING:** Ground fixture in accordance with local and national electrical codes. Failure to do so may result in serious personal injury. Fixture Installations should ONLY be done by a qualified licensed electrical professional.

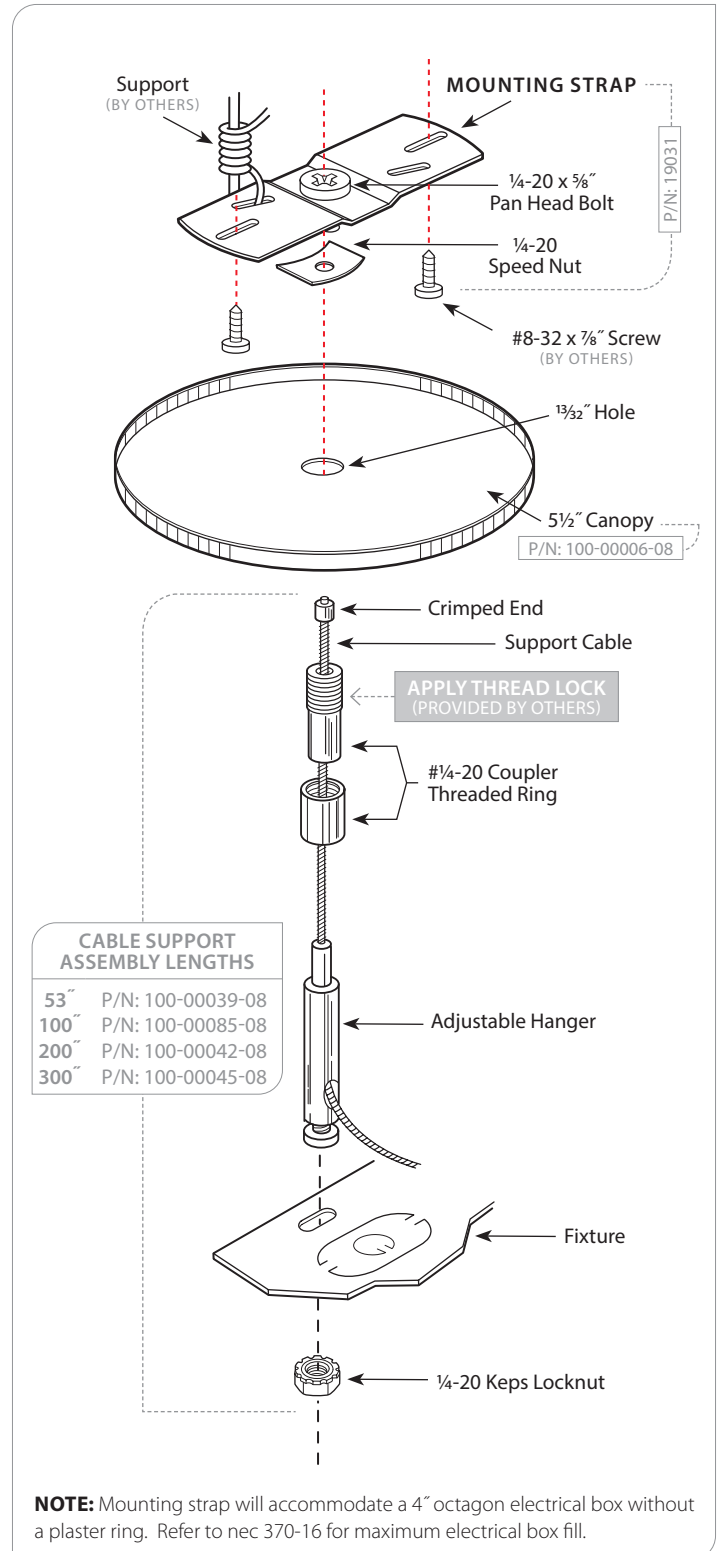


## INSTALLATION

1. Anchor mounting straps to ceiling at cable locations. If mounting plan drawings is provided follow dimensions specified in row or pattern layout. (Contractor is to determine best anchoring hardware to be used in securing mounting strap to ceiling)
2. Insert non-crimped end of support cable through top threaded end of 1/4-20 coupling. Pull cable until crimp stops inside threaded end of coupling.
3. Push non-crimped end of cable through top (smooth end adjustable glider). Insert cable completely through glider. Glider will engage by pressing top smooth end down. Hold in place and pull back for adjustment.
4. Insert threaded barrel of adjustable glider through fixture. Securely attach glider to fixture with nutkeys lock (do not tighten with excessive force). Trim excess cable no less than 3" beyond cable outlet.
5. Unscrew threaded ring from top of 1/4-20 coupling. Insert 1/4-20 coupling through 1 3/32" dia. center hole on canopy and let threaded ring and canopy rest on fixture end. Lift coupling/cable to ceiling with fixture attached and thread 1/4-20 coupler onto strap bolt (be sure coupling is secure). Adjust cable to required distance from ceiling surface. Lift canopy against ceiling surface and secure in place with threaded ring.

**NOTE:** Depending on ceiling construction, reinforcement may be required at each mounting location.

**CAUTION:** Do not remove crimp from cable. Crimps are factory pressed onto cable for maximum strength. Prudential Lighting will not be responsible for damage or injuries which occur due to cable/crimp alterations. If different cable lengths are required, contact Prudential Lighting immediately.



# Hard Ceiling (X3) | CAX Adjustable Cord / Cable Support

## INSTALLATION INSTRUCTIONS



PRUDENTIAL LTG.

PRULITE.COM 213.746.0360

### INSTALLATION

1. Use #8-32 x 7/8" screws (provided by others) to fasten the mounting strap to the J-box. If weight exceeds 50 pounds, reinforce mounting strap with support wire secured to structural material (support wire provided by others).
2. Insert non-crimped end of support cable through top threaded end of coupling. Pull cable until crimp stops inside threaded end of coupling, push non-crimped end of cable through top (smooth end of adjustable glider). Insert cable completely through glider. Glider will engage around cable to prevent slipping. Disengage glider by pressing top smooth end down. Hold in place and pull cable back for adjustment.
3. Insert threaded barrel of adjustable glider through fixture. Attach glider to fixture with lock washer and hex nut. (**DO NOT TIGHTEN WITH EXCESSIVE FORCE**) Trim excess cable no less than 3" beyond cable outlet.
4. Remove 1/2" round K.O. located on surface of fixture end. Contractor to field cut SJT cord at specified lengths and strip back a portion of outer insulation from one end of SJT cord (contractor to determine amount to be stripped). Insert stripped end of cord through snap bushing. Press snap bushing & cord into 1/2" round opening. Place metal strain relief bushing around cord under fixture end and crimp with pliers. Cord should be secured to fixture end. Insert top end of cord through universal bushing, and threaded bushing. Trim cord to required length and secure to canopy with strain relief through 1/2" nipple. Make all wire connection.
5. Unscrew threaded ring from top of 1/4-20 coupling. Insert 1/4-20 coupling through center hole on canopy. Apply small amount of thread lock on mounting stud. Lift coupling/canopy, and fixture to mounting strap and screw coupling to bolt (be sure coupling is secure). Adjust cable to required distance from ceiling surface.

**CAUTION:** Do not remove crimp from cable. Crimps are factory pressed onto cable for maximum strength. Prudential Lighting will not be responsible for damage or injuries which occur due to cable/crimp alterations. If different cable lengths are required, contact Prudential Lighting immediately.

