



# Bolt Shapes | Pendant, Surface, Wall Triangle, Square, Hexagon & Pentagon

## INSTALLATION INSTRUCTIONS

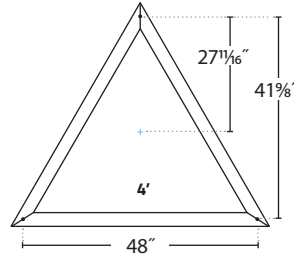
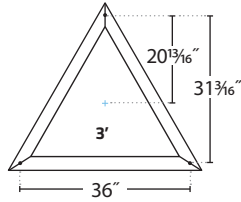
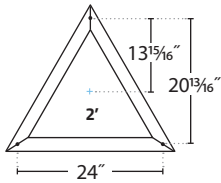


PRUDENTIAL LTG.

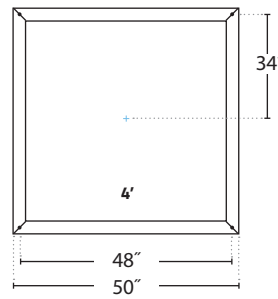
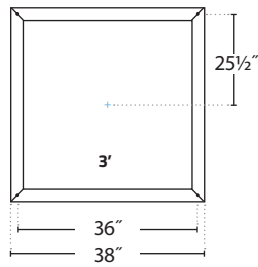
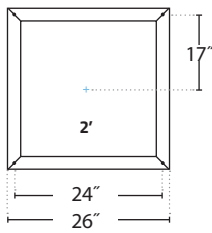
PRULITE.COM 213.746.0360

## MOUNTING LOCATIONS

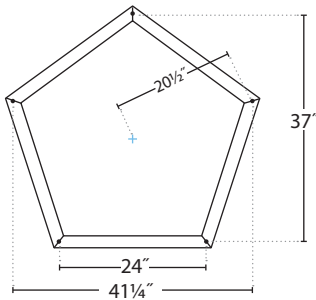
### TRIANGLE



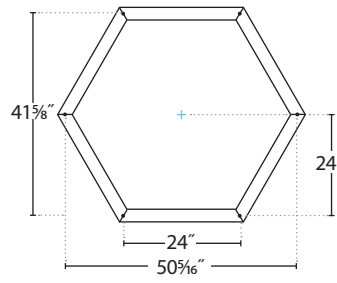
### SQUARE



### PENTAGON

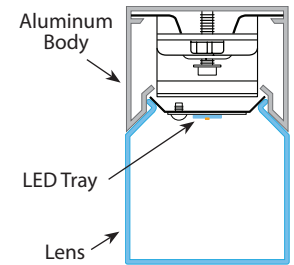


### HEXAGON



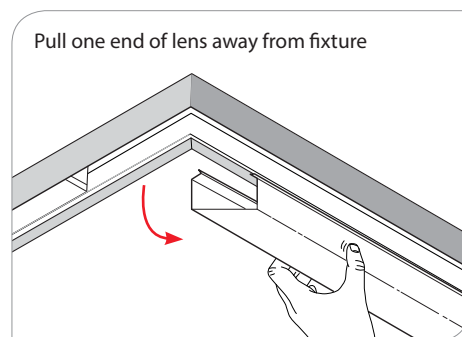
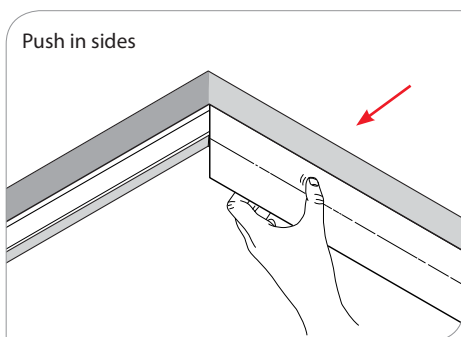
• Cable, Stem & Surface Mounting

### CROSS SECTION



## LENS REMOVAL

1. Remove lens by pushing in sides and pulling one end of the lens away from the aluminum body.

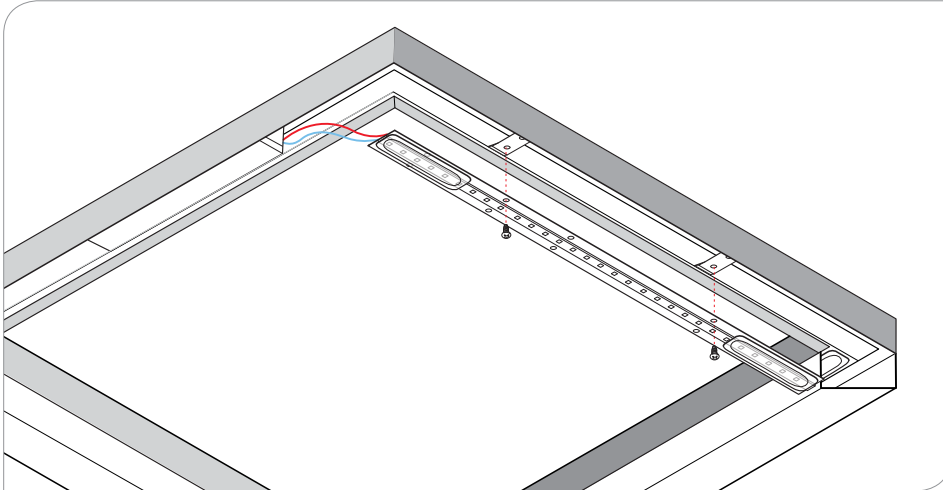


**WARNING:** Ground fixture in according with local and national electrical codes. Failure to do so may result in serious personal injury.

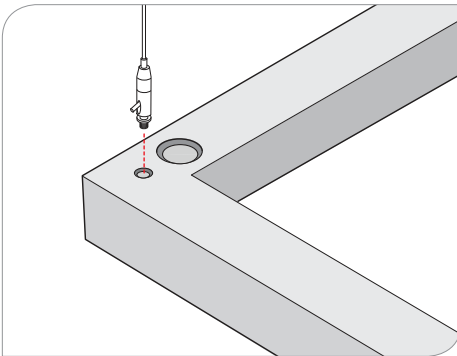


### LED TRAY REMOVAL

1. Unscrew LED tray from clips and remove wires from LED driver.



### CABLE MOUNTING



Mount cables to end plate brackets or joining brackets.  
**Reference separate cable installation instructions.**

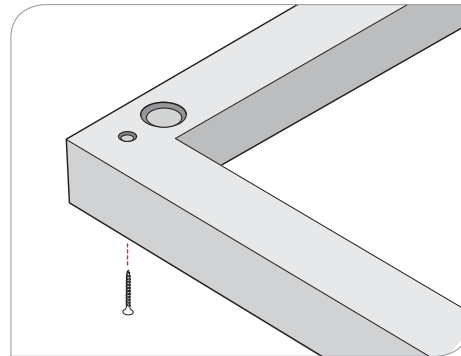
### SURFACE MOUNTING



**SURFACE PARTS**



**Dry Wall Screw**  
(BY OTHERS)



Mount fixture to ceiling or wall.

**WARNING:** Ground fixture in according with local and national electrical codes. Failure to do so may result in serious personal injury.



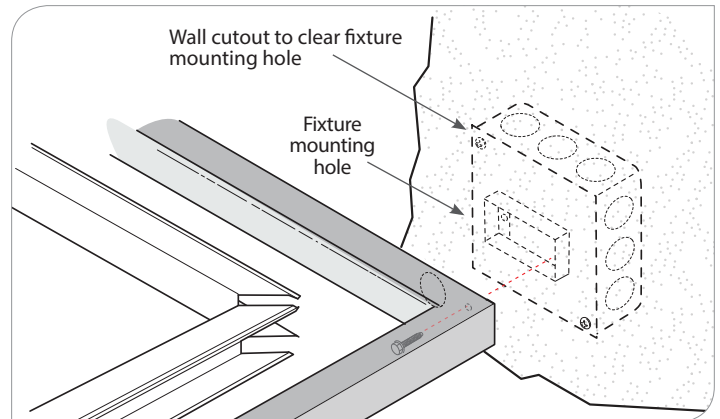
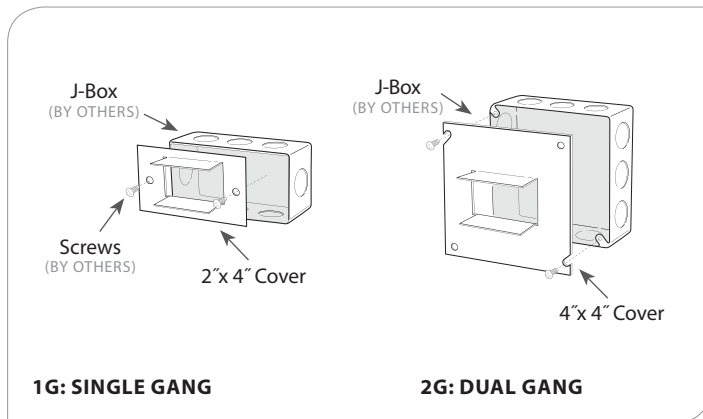
Prudential Ltg. reserves the right to change design specifications or materials without notice. Please visit [prulite.com](http://prulite.com) for most current data.  
© 2015 All rights reserved – All products manufactured at: Prudential Ltg. 1774 E. 21st Street, Los Angeles, CA 90058



## FINISHING STEPS

1. Make all wiring connections.
2. Re-install all LED trays. Ensure no wires are trapped between trays and clips and that they are tucked away to avoid shadows.
3. Install / re-install all lenses.

## EBCP - ELECTRICAL BOX COVERS (OPTIONAL)



### OPTIONAL ELECTRICAL BOX COVERS

$\frac{7}{8}$ " Dia. K.O. will accommodate  
2"x 4" or 4"x 4" J-Box

**WARNING:** Ground fixture in according with local and national electrical codes. Failure to do so may result in serious personal injury.

