

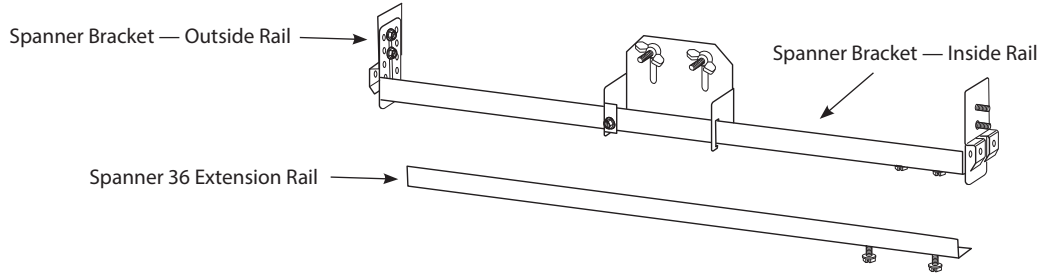
### X1 (FLANGED T-BAR)



#### MOUNTING BAR KIT

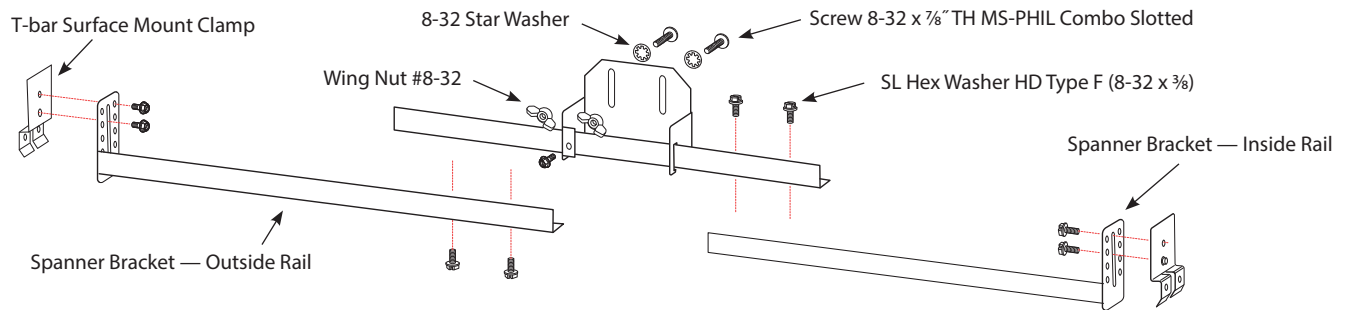
##### SPANNER BRACKET ASSEMBLY

USED FOR T-BAR CENTERS OF 16" TO 24"



##### SPANNER 36 EXTENSION RAIL

USED FOR T-BAR CENTERS OVER 24" TO 36"



#### PARTS LIST

105367	<b>SPANNER BRACKET ASSEMBLY KIT</b>	1
104002	Spanner Bracket — Outside Rail	2
104003	Spanner Bracket — Inside Rail	2
101977	T-bar Surface Mount Clamp	4
163036	Spanner 36 Extension Rail	2
104005	Butterfly Bracket	2
100-00190-14	SL Hex Washer HD Type F (8-32 x 3/8)	18
100-00023-14	Wing Nut #8-32	4
100-00050-14	Screw 8-32 x 7/8" TH MS-PHIL Combo Slotted	4
100-00068-14	8-32 Star Washer	4

This product must be installed in accordance with the applicable installation code by a person familiar with the construction and operation of the product and hazards involved.

Ce produit doit être installé selon le code d'installation pertinent, par une personne qui connaît bien le produit et son fonctionnement ainsi que risques inhérents.

**WARNING:** Ground fixture in accordance with local and national electrical codes. Failure to do so may result in serious personal injury. Fixture Installations should ONLY be done by a qualified licensed electrical professional.

# Stream™ Dot | Recessed Square

## INSTALLATION INSTRUCTIONS

### X1 (FLANGED T-BAR)



PRUDENTIAL LTG.

PRULITE.COM 213.746.0360

#### BASIC INSTALLATION

##### LED DRIVER IN LED HOUSING

1. Mounting bars are adjustable up to 3ft.
2. Run supply wires through knock-out on either access plate on box using appropriate strain relief.

##### LED HOUSING INSTALLATION

3. Connect power and control (if included) wires from LED housing to supply wires in rough-in box.
4. Rotate box spring upward to allow passage through cutout in ceiling until the flange is flush against the ceiling. The springs will rotate back and hold module in place.

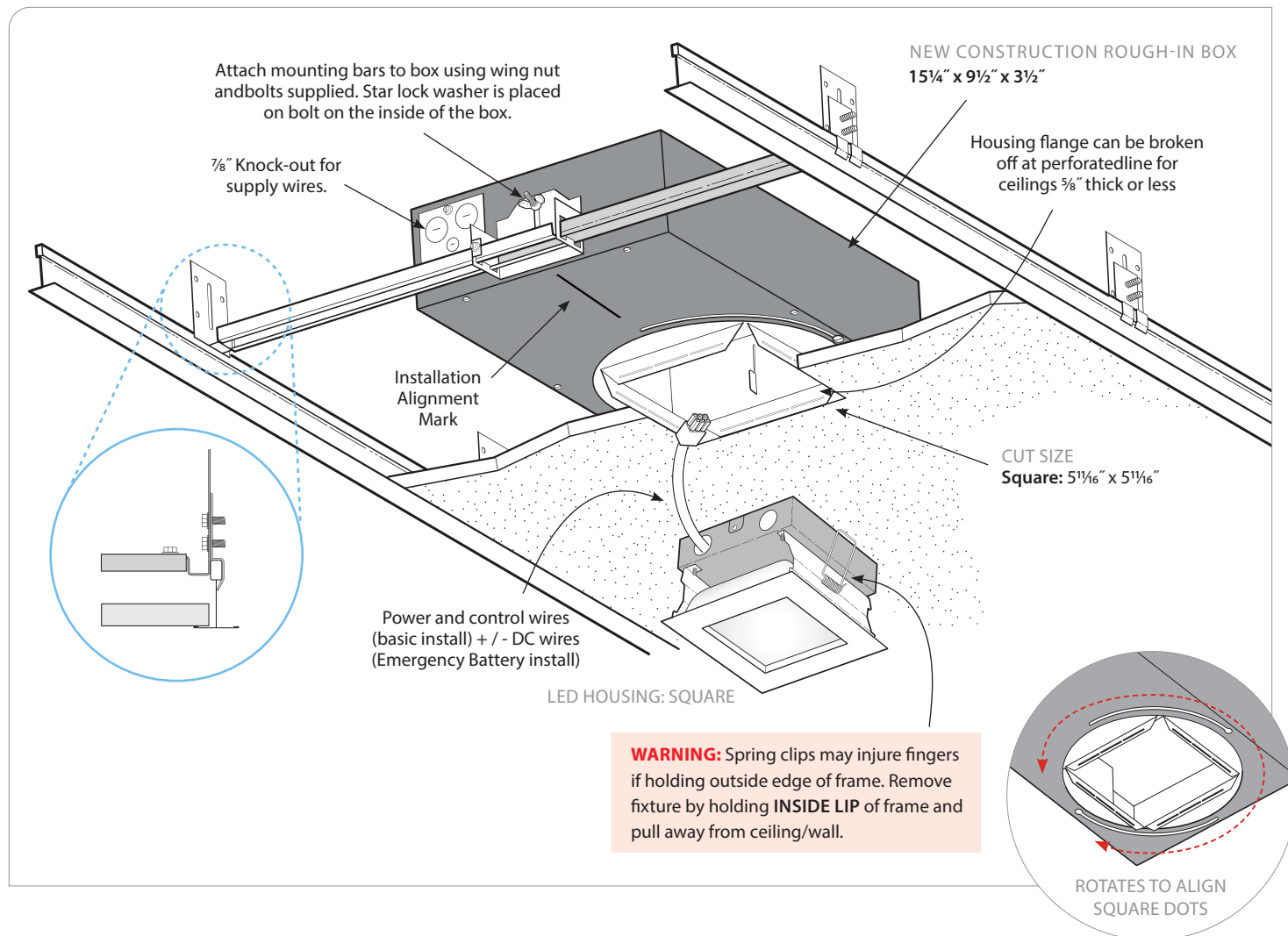
#### EMERGENCY BATTERY INSTALLATION

##### EMERGENCY BATTERY AND LED DRIVER IN ROUGH-IN BOX

1. Mounting bars are adjustable up to 3ft.
2. Run supply wires through knock-out on either access plate on box using appropriate strain relief.

##### BASE UNIT INSTALLATION

3. Connect + / - DC wires from base unit to matching wires in rough-in box.
4. Rotate box spring upward to allow passage through cutout in ceiling until the flange is flush against the ceiling. The springs will rotate back and hold LED housing in place.



This product must be installed in accordance with the applicable installation code by a person familiar with the construction and operation of the product and hazards involved.

Ce produit doit être installé selon le code d'installation pertinent, par une personne qui connaît bien le produit et son fonctionnement ainsi que risques inhérents.

**WARNING:** Ground fixture in accordance with local and national electrical codes. Failure to do so may result in serious personal injury. Fixture Installations should ONLY be done by a qualified licensed electrical professional.

# Stream™ Dot | Recessed 4" Square & Round

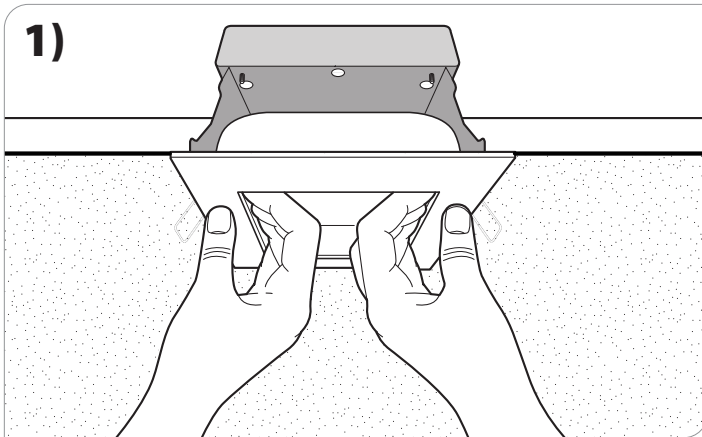
## DRIVER REPLACEMENT

### X1 (FLANGED T-BAR)

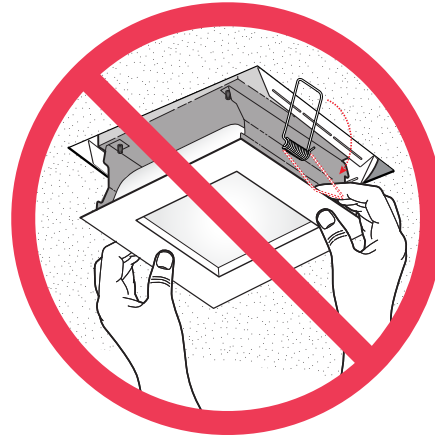


PRUDENTIAL LTG.

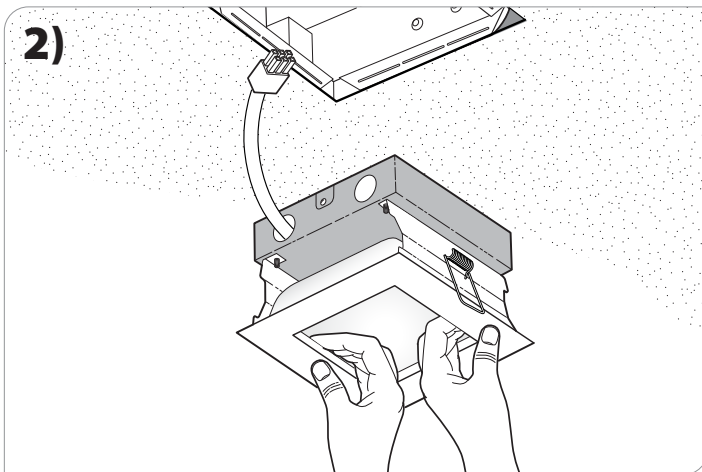
PRULITE.COM 213.746.0360



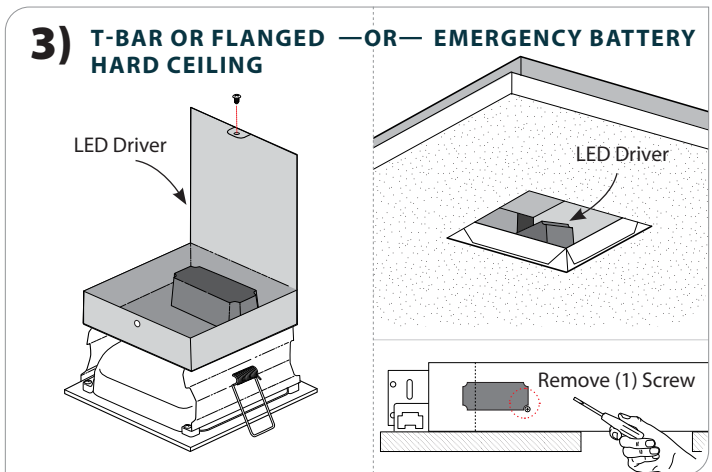
Remove fixture from ceiling by pulling from inside edge.



**WARNING:** Do **NOT** pull from outside edge — Spring clips can incur injury.

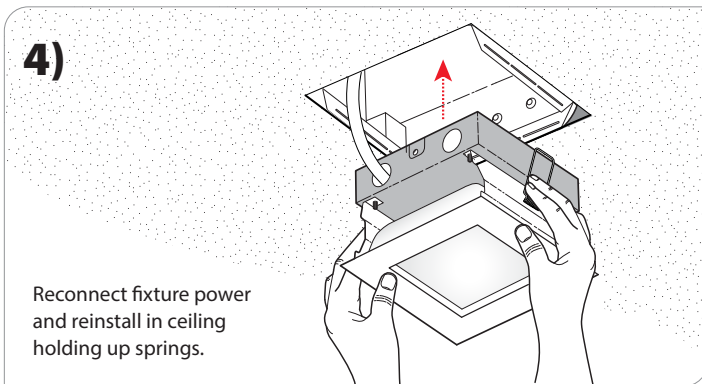


Disconnect fixture.



Replace driver from housing or locate in rough-in box. (AC building wire behind barrier)

Remove (1) screw holding driver in place. Disconnect and replace driver.



Reconnect fixture power and reinstall in ceiling holding up springs.

This product must be installed in accordance with the applicable installation code by a person familiar with the construction and operation of the product and hazards involved.

Ce produit doit être installé selon le code d'installation pertinent, par une personne qui connaît bien le produit et son fonctionnement ainsi que risques inhérents.

**WARNING:** Ground fixture in accordance with local and national electrical codes. Failure to do so may result in serious personal injury. Fixture Installations should **ONLY** be done by a qualified licensed electrical professional.

# Stream™ Dot | Recessed 4" Square & Round

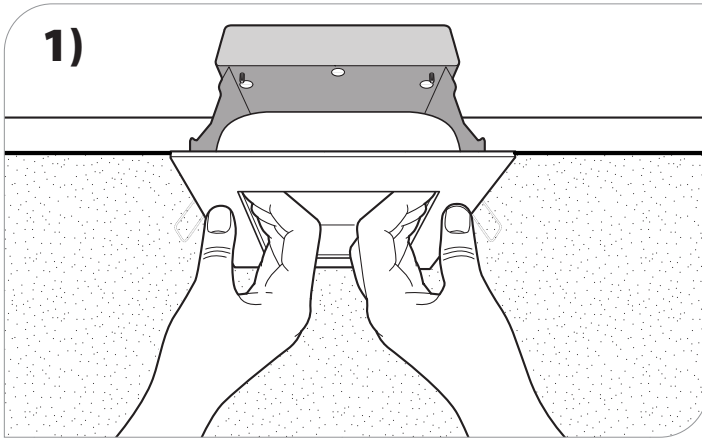
LED REPLACEMENT

X1 (FLANGED T-BAR)

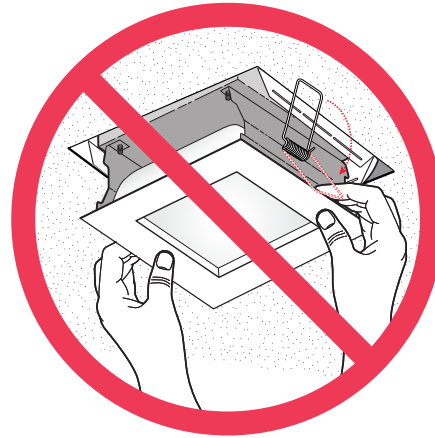


PRUDENTIAL LTG.

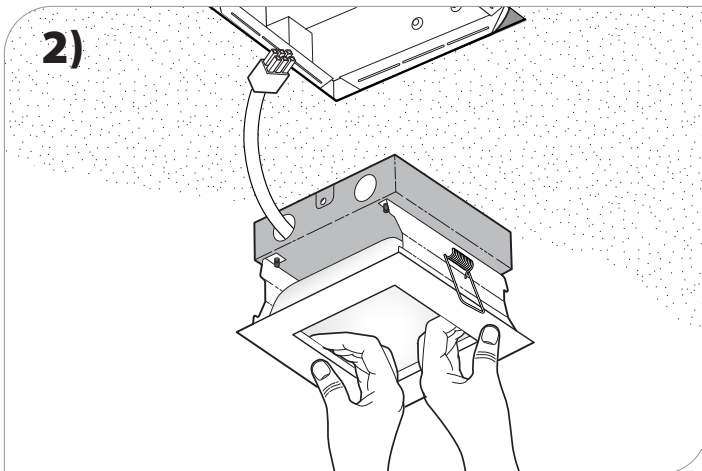
PRULITE.COM 213.746.0360



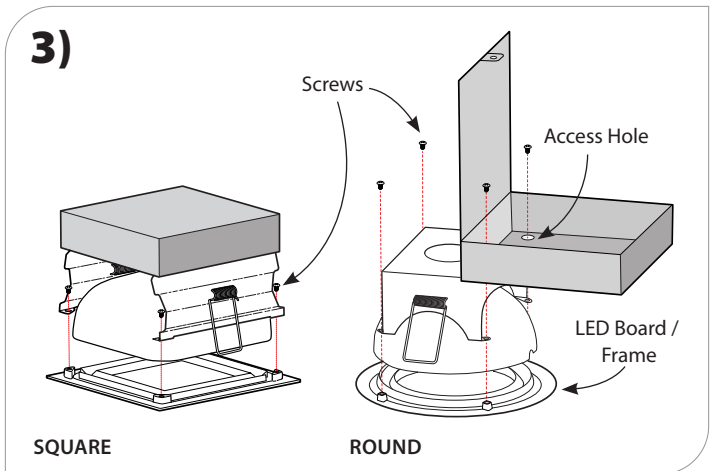
Remove fixture from ceiling by pulling from inside edge.



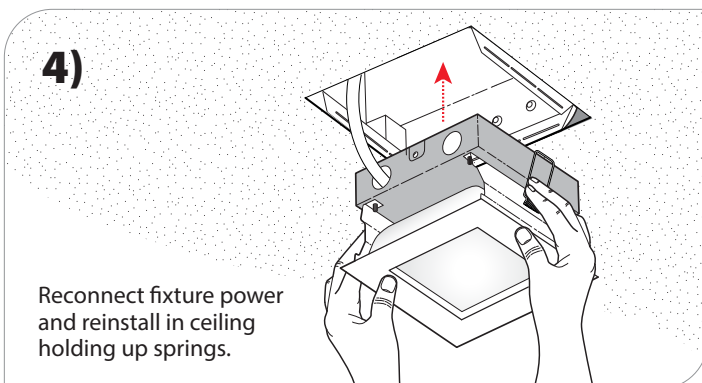
**WARNING:**  
Do **NOT** pull from outside edge — Spring clips can incur injury.



Disconnect fixture.



Remove (4) screws to detach trim frame/ LED board and replace with new frame/ LED board.



Reconnect fixture power and reinstall in ceiling holding up springs.

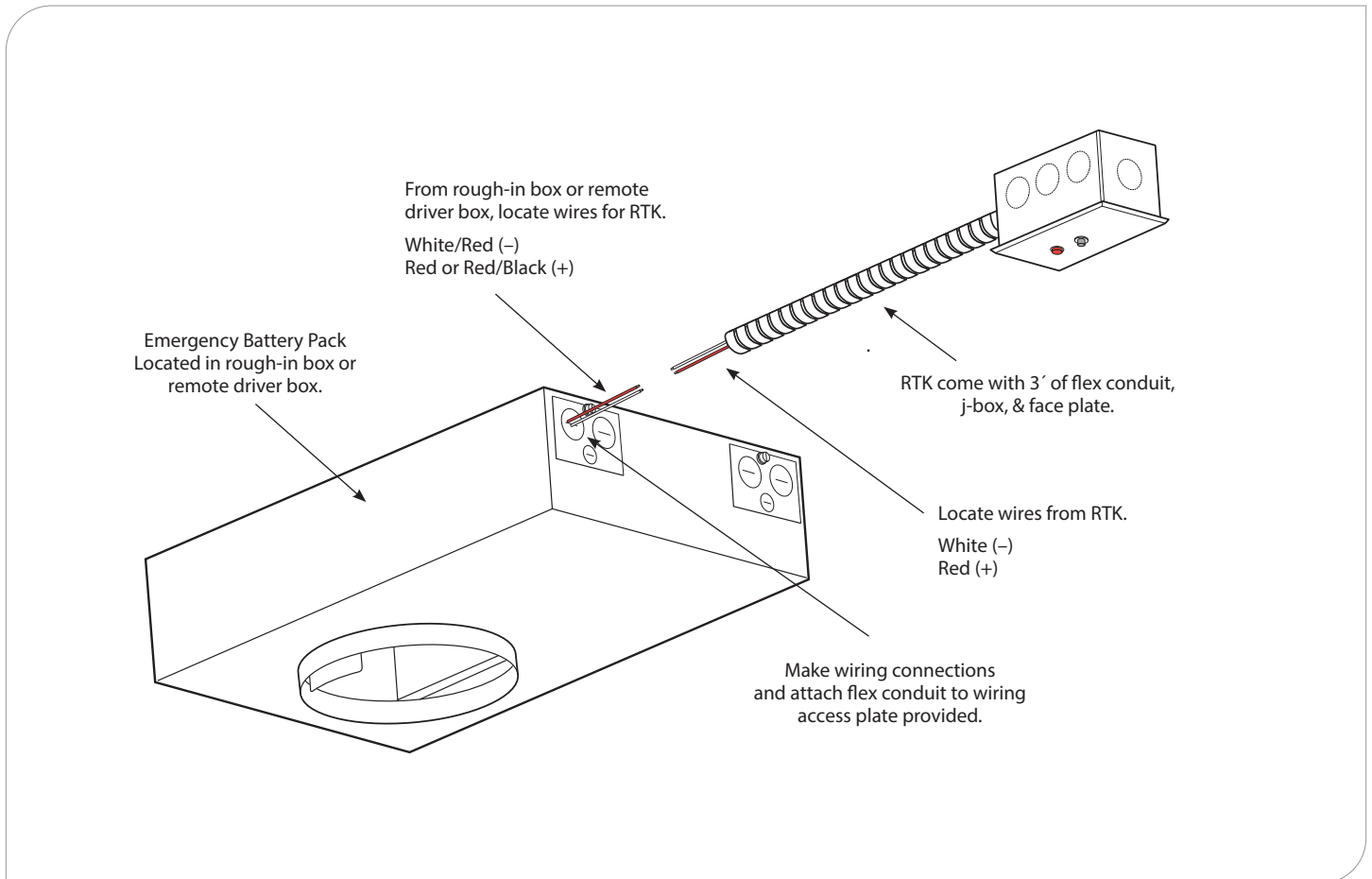
This product must be installed in accordance with the applicable installation code by a person familiar with the construction and operation of the product and hazards involved.

Ce produit doit être installé selon le code d'installation pertinent, par une personne qui connaît bien le produit et son fonctionnement ainsi que risques inhérents.

**WARNING:** Ground fixture in accordance with local and national electrical codes. Failure to do so may result in serious personal injury. Fixture Installations should **ONLY** be done by a qualified licensed electrical professional.



### EMERGENCY BATTERY PACK WITH REMOTE TEST KIT (RTK)



This product must be installed in accordance with the applicable installation code by a person familiar with the construction and operation of the product and hazards involved.

Ce produit doit être installé selon le code d'installation pertinent, par une personne qui connaît bien le produit et son fonctionnement ainsi que risques inhérents.

**WARNING:** Ground fixture in accordance with local and national electrical codes. Failure to do so may result in serious personal injury. Fixture Installations should ONLY be done by a qualified licensed electrical professional.