



P33 | Recessed Linear

3" Slot, TechZone 4



PRUDENTIAL LTG.

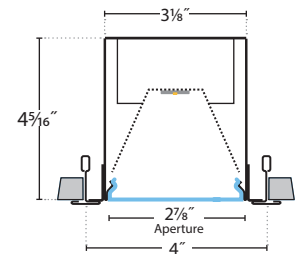
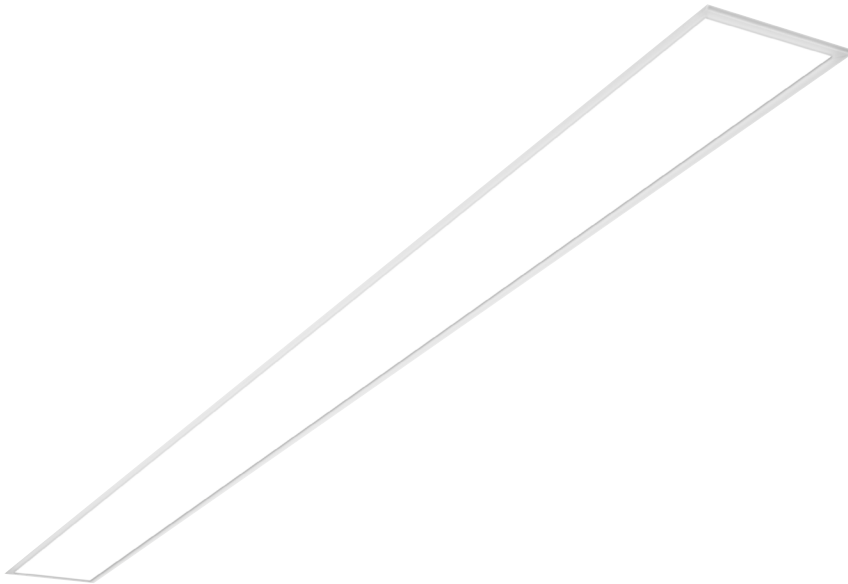
PRULITE.COM 213.746.0360

DISCONTINUED

Click for **BionicPro**

Type:


Job:



Fits the proportions required for most spaces.

Designed to fit the Armstrong™ TechZone 4" grid cleanly and simply. Narrower aperture lens than our P43 Series to maximize light output and fill the distance between four inch T's with light, minimizing visible trim. See our P53 for TechZone 6" system.

LOW OUTPUT:
P33-LED35-LO-4-SAL-D1
 1581 Delivered Lumens
 16 Watts
 99 Lm/W

UPTO **91** LPW  (CLICK HERE)

	LO	MO	SO	HO
Lm/Ft	400	600	800	900
W/Ft	4.6	6.5	9.5	11

Declare. TechZone4



Made in the USA

Lumen output may vary +/- 5%
 3500K used for lm/ft estimates above
 4000K +2% llf, 3000K -2%, 2700K -4%
 -10% llf for 90 CRI (4K, 3500K and 3K)
 See LED Details PDF for more info

SE-RIES	LED COLOR	OUTPUT	NOMINAL LENGTH	TRIM COLOR	SHIELD-ING	DISTRI-BUTION	CIRCU-ITING	VOLTAGE	CEILING SYSTEMS	DRIVERS	OPTIONS & SENSORS
P33	LED27 2700K (90CRI) LED3 3000K LED35 3500K LED4 4000K LED3-90 90CRI LED35-90 90CRI LED4-90 90CRI	LO Low MO Medium SO Standard HO High PROG Programmable Light Output (Specify desired lm/ft or w/ft)	2' 3' 4' 5' 6' 8' R (Row length) NOTE: Individual not intended for row mounting	TMW Textured Matte White (Standard) YGW Gloss White Y Pre-mium Color CC Custom Color	SAL Satin Acrylic Lens	D1 Direct	SC Single Circuit	UNV (120-277) 347 (Emergency battery requires a Step Down transformer)	X1 T-Bar 1 5/16" Exposed X1M T-Bar 3/16" Exposed X2 Dimensional T-Bar Armstrong Interlude® X6 Slot Grid X3B Hard Ceiling Flange Trim (Overhead mounting brackets) X7 Hard Ceiling (Trimless mud-over concealed flange)	ND Non-Dimming DM01 0-10v, 1% Dimming (Standard) LDE1 Lutron Hi-lume 1% EcoSystem LED (Soft fade on, fade-to-black dimming, NA-HO) ECO 1% 0-10v, EldoLED (Logarithmic dimming std) ECDA 1% DALI, EldoLED (Logarithmic dimming std) SOLO 0.1% 0-10v, EldoLED (Dim-to-dark, Logarithmic dimming std) SODA 0.1% DALI, EldoLED (Dim-to-dark, Logarithmic dimming std)	EMHE Emergency Battery (~850 delivered lumens, CA Title 20 compliant; 4' or longer) PRUBIN Meticulous Binning and Labeling every LED Board within a 2-Step MacA dams Ellipse *4' or longer SENSORS: 205-ON/OFF Watt-Stopper PIR Occupancy 205-STEP: Dim to 50% 205-DM: Dim to 1% LUX Phillips DLH ENL Enlighted 2-Wire DLH & Environmental



P33 | Recessed Linear

3" Slot, TechZone 4



PRUDENTIAL LTG.

PRULITE.COM 213.746.0360

SAL DISTRIBUTION

LOW OUTPUT:

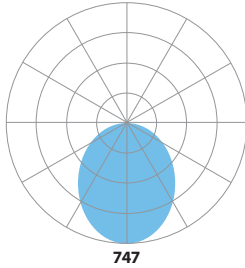
P33-LED35-LO-4-SAL-D1

1581 Delivered Lumens

16 Watts

99 Lm/W

3500 CCT



Zonal Lumen Summary:

0-90 = 100%

Vertical Angle	0°	45°	90°	135°	180°
0°	709	709	709	709	709
5°	702	700	705	700	702
15°	645	652	667	652	645
25°	547	567	595	567	547
35°	435	462	499	462	435
45°	344	352	373	401	413
55°	230	254	285	255	230
65°	146	163	185	163	146
75°	73	82	94	82	74
85°	16	17	20	17	16
90°	0	0	0	0	0

LUMEN MAINTENANCE

Designed to last with cool running mid-power LEDs projected to maintain 90% (L90) of their initial output for 100,000 hours (at HO), and L70 exceeding 150,000 hours.

LED SYSTEM LED modules and drivers are field replaceable.

PROG
(OPTIONAL) Programmable light output. Specify desired lumens or watts per linear foot. Min: 2.5 w/ft, consult factory for requests above 12 w/ft.

BINNING Standard binning (all Prudential LED boards) includes testing at the chip level and board integration to provide consistent color temperature within a 3-step MacAdams ellipse, with +/- 5% lumen output range and +/- .004 Duv.

PRUBIN™
(OPTIONAL) Prudential Ltg's exclusive 'job binning' method that ensures color temperature consistency across all luminaires on a project. Meticulously testing and labeling **EVERY LED BOARD** to +/- 25 lumens, +/- 50k CCT and +/- .004 Duv — while also separating positive from negative — allows us to match color, hue and intensity throughout a project and provides a consistent color temperature within a 2-step MacAdams ellipse.

LABELS CSA and ETL damp labeled and I.B.E.W. manufactured.

ELECTRICAL Must specify LED dimming controls. LED fixtures have constant current driver(s) with less than 20% THD when loaded to a minimum of 60%. Drivers sink a maximum of 6mA per driver. DM01 LED drivers are 0-10V dimmable and are compatible with most 0-10V wall slide dimmers and direct 0-10V analog signal dimmers. Max driver size 1.25" w x 1" h.

CONSTRUCTION

Housing Steel housing

Lens Acrylic, 100% recyclable.

MOUNTING Recessed into drywall or T-bar ceilings.

WARRANTY Single-source, 5 year limited warranty covers standard components and construction.



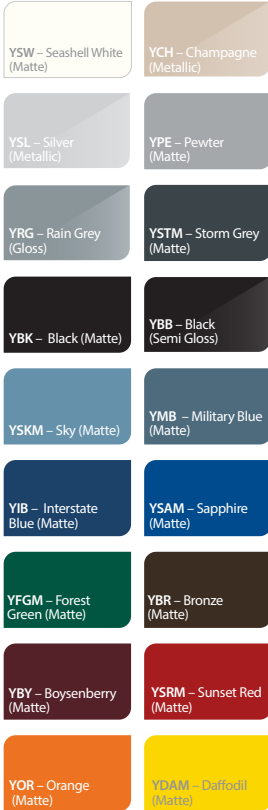
P33 | Recessed Linear

3" Slot, TechZone 4



PRUDENTIAL LTG.

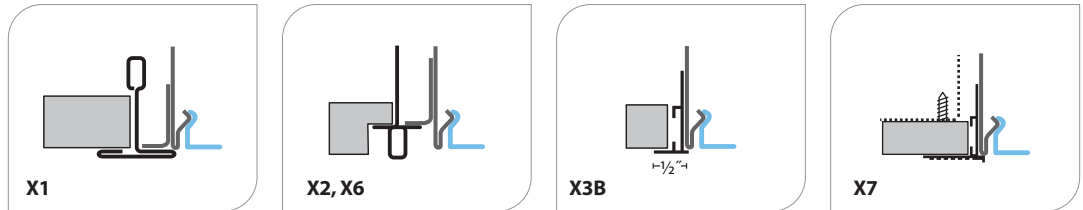
PRULITE.COM 213.746.0360



MOUNTING LOCATIONS

Fixture	Mounting Location	K.O. Distance	X3 & X7 Ceiling Opening	T-Bar Centers
24" (2')	20"	17 1/8"	24 5/8"	24"
36" (3')	32"	29 1/8"	36 5/8"	36"
48" (4')	44"	41 1/8"	50 5/8"	48"
60" (5')	56"	53 1/8"	60 5/8"	60"
72" (6')	68"	65 1/8"	72 5/8"	72"
84" (7')	80"	73 1/8"	84 5/8"	84"
96" (8')	92"	89 1/8"	96 5/8"	96"

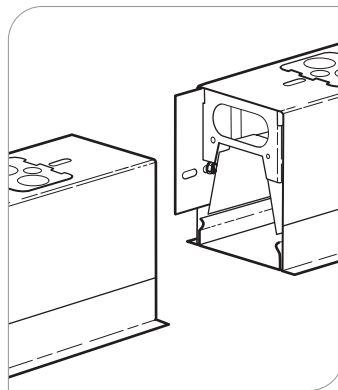
CEILING SYSTEMS



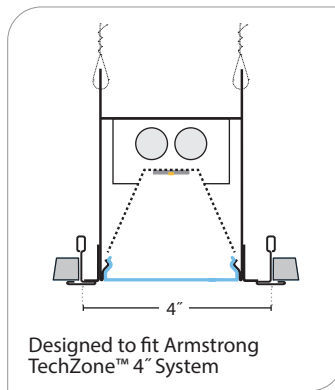
Choose from one of our Premium Colors with no set-up fee.

For paint chip samples, please email: info@prulite.com

ADJOINING DETAILS



ARMSTRONG TECHZONE™ SYSTEM



CONTROL SENSORS

