



# P33 | Recessed Linear

## 3" Slot, TechZone 4

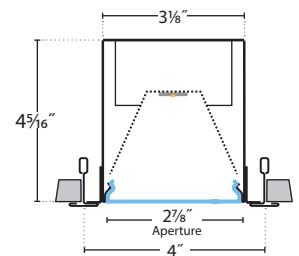
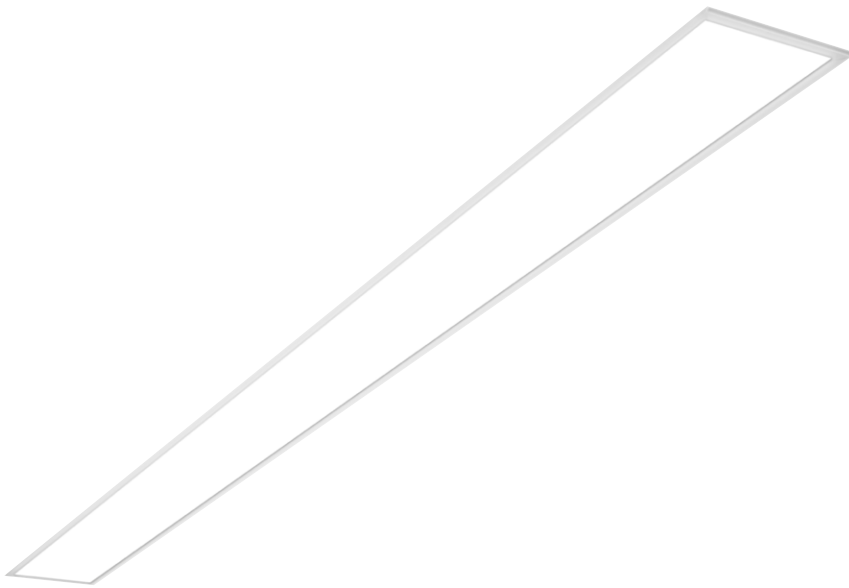


PRUDENTIAL LTG.

PRULITE.COM 213.746.0360

Type:

Job:



**Fits the proportions required for most spaces.**

**Designed to fit the Armstrong™ TechZone 4" grid cleanly and simply.** Narrower aperture lens than our P43 Series to maximize light output and fill the distance between four inch T's with light, minimizing visible trim. See our P53 for TechZone 6" system.

**Low Output:**  
**P33-LED35-LO-4-SAL-D1**  
 1663 Delivered Lumens  
 18 Watts  
 91 lm/w

**UPTO 91 LMW** [CLICK HERE](#)

|       | LO  | MO  | SO  | HO   |
|-------|-----|-----|-----|------|
| lm/ft | 415 | 600 | 850 | 1000 |
| w/ft  | 4.5 | 7   | 10  | 12   |

TechZone4



Lumen output may vary +/- 5%  
 3500K used for lm/ft estimates above  
 4000K +2% llf, 3000K -2%, 2700K -4%  
 -10% llf for 90 CRI (4K, 3500K and 3K)  
**See LED Details PDF for more info**

| SE-RIES | LED COLOR  | OUTPUT  | NOMINAL LENGTH  | TRIM COLOR   | SHIELD-ING             | DISTRI-BUTION | CIRCU-ITING       | VOLTAGE   | CEILING SYSTEMS   | DRIVERS   | OPTIONS & SENSORS   |   |
|---------|--|---|---|--|------------------------|---------------|-------------------|---|---|---|---|---|
| P33     | LED27 2700K (90CRI)<br>LED3 3000K<br>LED35 3500K<br>LED4 4000K<br>LED3-90 90CRI<br>LED35-90 90CRI<br>LED4-90 90CRI | LO Low<br>MO Medium<br>SO Standard<br>HO High<br>PROG Programmable Light Output (Specify desired lm/ft or w/ft) | 2'<br>3'<br>4'<br>5'<br>6'<br>8'<br>R (Row length)<br><b>NOTE:</b> Individual not intended for row mounting | TMW Textured Matte White (Standard)<br>YGW Gloss White<br>Y Premium Color<br>CC Custom Color | SAL Satin Acrylic Lens | D1 Direct     | SC Single Circuit | UNV (120-277)<br>347 (Emergency battery requires a Step Down transformer) | X1 T-Bar 1 5/16" Exposed<br>X1M T-Bar 3/16" Exposed<br>X2 Dimensional T-Bar Armstrong Interlude®<br>X6 Slot Grid<br>X3B Hard Ceiling Flange Trim (Overhead mounting brackets)<br>X7 Hard Ceiling (Trimless mud-over concealed flange) | ND Non-Dimming<br>DM10 0-10v, 10% Dimming (Standard)<br>DM01 0-10v, 1% Dimming<br>STEP Step Dimming, 100-50-Off, Osram<br><b>NOTE:</b> Lumens and watts per foot may differ for STEP drivers, consult factory<br>LDE*5 5-Series EcoSystem LED<br>LDE1* Hi-lume 1% EcoSystem LED (Soft fade on, fade-to-black dimming) | LTE* Hi-lume 1% 2-Wire LED Driver (120V forward phase only)<br>*Lutron NA HO<br>ECO 1% 0-10v, EldoLED (Logarithmic dimming std)<br>ECDA 1% DALI, EldoLED (Logarithmic dimming std)<br>SOLO 0.1% 0-10v, EldoLED (Dim-to-dark, Logarithmic dimming std)<br>SODA 0.1% DALI, EldoLED (Dim-to-dark, Logarithmic dimming std) | EML* Emergency Battery, Low (850 delivered lumens)<br>EMH* Emergency Battery, High (1175 delivered lumens)<br>PRUBIN Meticulous Binning and Labeling every LED Board within a 2-Step MacA dams Ellipse<br>*4' or longer<br><b>SENSORS:</b><br>205 WattStop PIR Occupancy<br>205-STEP: Dim to 50%<br>205-DM: Dim to 10% / 1%<br>LUX Phillips DLH<br>ENL Enlighted 2-Wire DLH & Environmental |



Prudential Ltg. reserves the right to change design specifications or materials without notice. Please visit prulite.com for most current data.  
 © 2014 All rights reserved - All products manufactured at: Prudential Ltg. 1774 E. 21st Street, Los Angeles, CA 90058

Recessed Linear

1

07-25-2019



# P33 | Recessed Linear

## 3" Slot, TechZone 4



PRUDENTIAL LTG.

PRULITE.COM 213.746.0360

### SAL DISTRIBUTION

#### Low Output:

P33-LED35-LO-4-SAL-D1

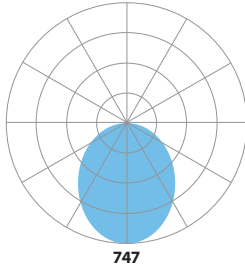
1663 Delivered Lumens

18 Watts

91 lm/w

3500 CCT

Test #103060194LAX-001



#### Zonal Lumen Summary: 0-90 = 100%

| Vertical Angle | 0°  | 25° | 45° | 65° | 90° |
|----------------|-----|-----|-----|-----|-----|
| 0°             | 747 | 747 | 747 | 747 | 747 |
| 5°             | 739 | 739 | 737 | 742 | 742 |
| 15°            | 679 | 681 | 687 | 699 | 702 |
| 25°            | 576 | 583 | 597 | 618 | 626 |
| 35°            | 458 | 466 | 487 | 514 | 525 |
| 45°            | 344 | 352 | 373 | 401 | 413 |
| 55°            | 242 | 249 | 267 | 289 | 300 |
| 65°            | 154 | 159 | 172 | 187 | 195 |
| 75°            | 78  | 78  | 86  | 94  | 99  |
| 85°            | 17  | 16  | 18  | 19  | 21  |
| 90°            | 0   | 0   | 0   | 0   | 0   |

### LUMEN MAINTENANCE

Designed to last with cool running mid-power LEDs projected to maintain 90% (L90) of their initial output for 100,000 hours (at HO), and L70 exceeding 150,000 hours.

**LED SYSTEM** LED modules and drivers are field replaceable.

**PROG** (OPTIONAL) Programmable light output. Specify desired lumens or watts per linear foot. Min: 2.5 w/ft, consult factory for requests above 12 w/ft.

**BINNING** Standard binning (all Prudential LED boards) includes testing at the chip level and board integration to provide consistent color temperature within a 3-step MacAdams ellipse, with +/- 5% lumen output range and +/- .004 Duv.

**PRUBIN™** (OPTIONAL) Prudential Ltg's exclusive 'job binning' method that ensures color temperature consistency across all luminaires on a project. Meticulously testing and labeling **EVERY LED BOARD** to +/- 25 lumens, +/- 50k CCT and +/- .004 Duv — while also separating positive from negative — allows us to match color, hue and intensity throughout a project and provides a consistent color temperature within a 2-step MacAdams ellipse.

**LABELS** ETL damp labeled and I.B.E.W. manufactured.

**ELECTRICAL** Must specify LED dimming controls. LED fixtures have constant current driver(s) with less than 20% THD when loaded to a minimum of 60%. Drivers sink a maximum of 6mA per driver. DM10 LED drivers are 0-10V dimmable and are compatible with most 0-10V wall slide dimmers and direct 0-10V analog signal dimmers. Max driver size 1.25" w x 1" h.

### CONSTRUCTION

Housing Steel housing

Lens Acrylic, 100% recyclable.

**MOUNTING** Recessed into drywall or T-bar ceilings.

**WARRANTY** Single-source, 5 year limited warranty covers standard components and construction.





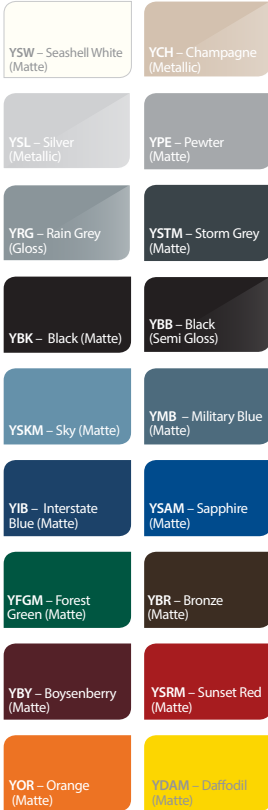
# P33 | Recessed Linear

## 3" Slot, TechZone 4



PRUDENTIAL LTG.

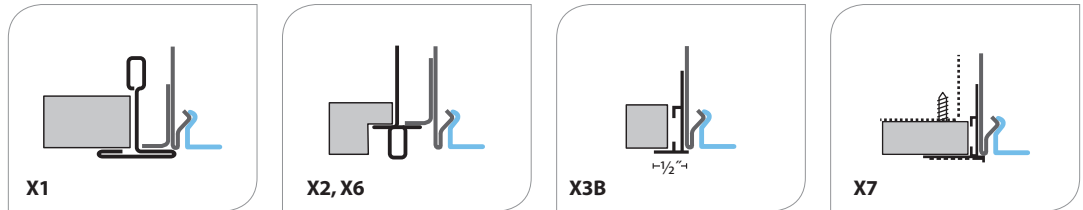
PRULITE.COM 213.746.0360



### MOUNTING LOCATIONS

| Fixture  | Mounting Location | K.O. Distance | X3 & X7 Ceiling Opening | T-Bar Centers |
|----------|-------------------|---------------|-------------------------|---------------|
| 24" (2') | 20"               | 17 1/8"       | 24 5/8"                 | 24"           |
| 36" (3') | 32"               | 29 1/8"       | 36 5/8"                 | 36"           |
| 48" (4') | 44"               | 41 1/8"       | 50 5/8"                 | 48"           |
| 60" (5') | 56"               | 53 1/8"       | 60 5/8"                 | 60"           |
| 72" (6') | 68"               | 65 1/8"       | 72 5/8"                 | 72"           |
| 84" (7') | 80"               | 73 1/8"       | 84 5/8"                 | 84"           |
| 96" (8') | 92"               | 89 1/8"       | 96 5/8"                 | 96"           |

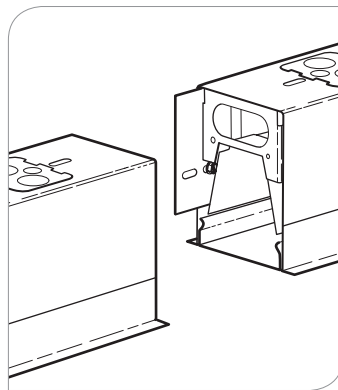
### CEILING SYSTEMS



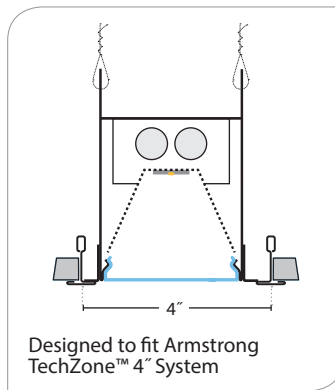
Choose from one of our Premium Colors with no set-up fee.

For paint chip samples, please email: [info@prulite.com](mailto:info@prulite.com)

### ADJOINING DETAILS



### ARMSTRONG TECHZONE™ SYSTEM



### CONTROL SENSORS

