



P33 | Recessed Linear 3" Slot, TechZone 4

INSTALLATION INSTRUCTIONS

FILLER KIT

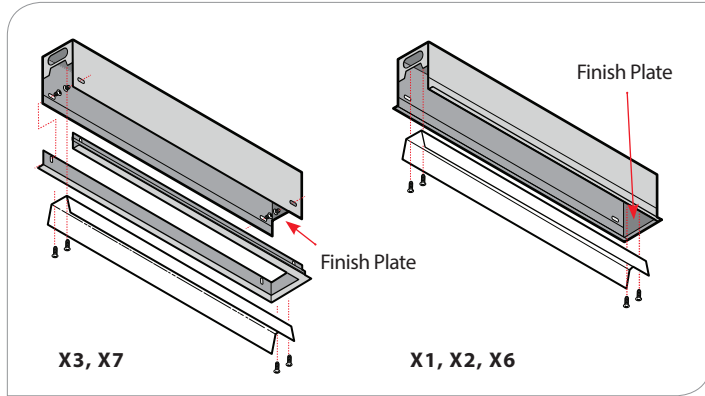


PRUDENTIAL LTG.

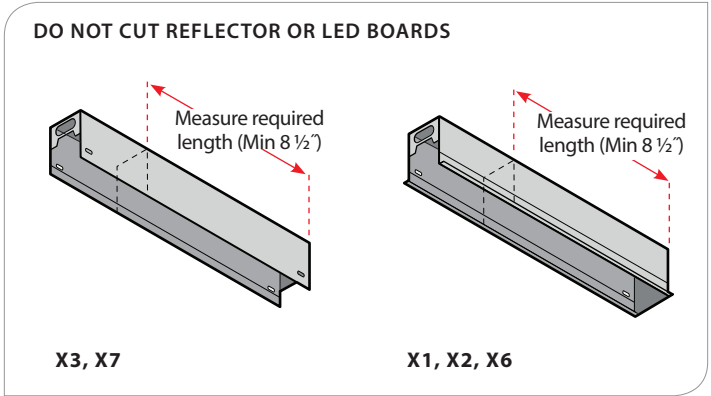
PRULITE.COM 213.746.0360

INSTALLATION

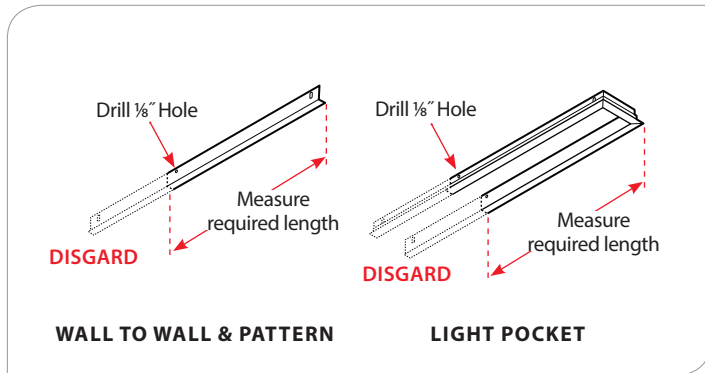
1. Disassemble Filler.



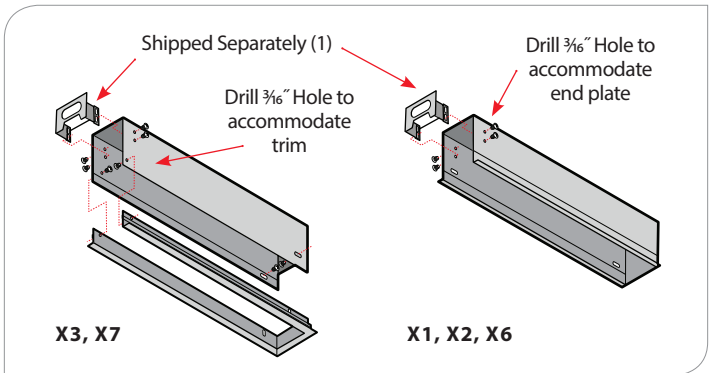
2. Mark cut line and cut filler body.



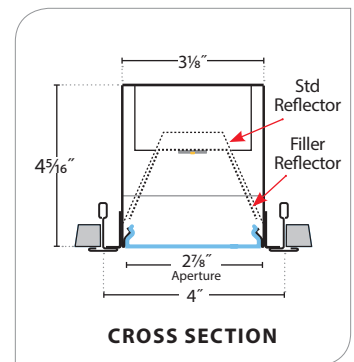
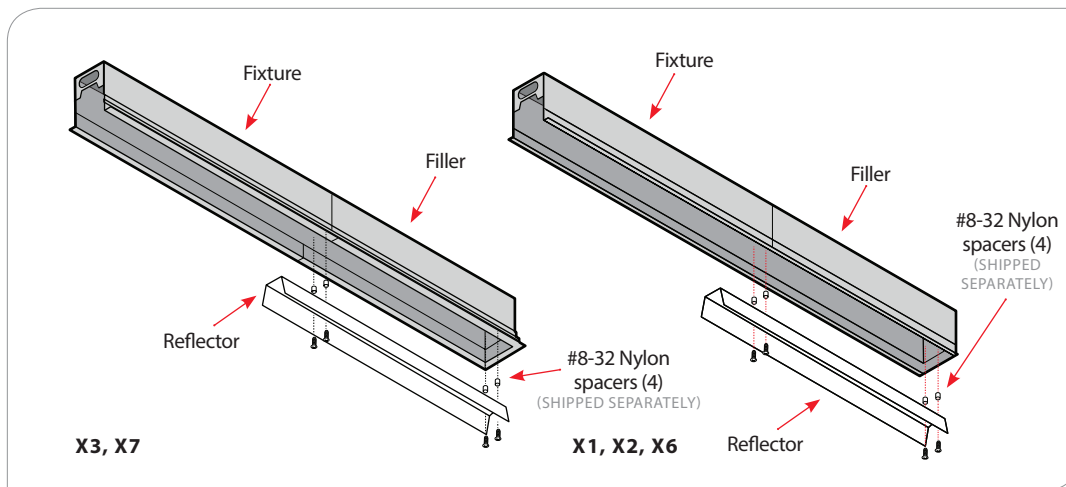
3. Measure trim and mark for cutting.



4. Drill and fix end plate and trim.



5. Install spacers to reflectors to filler.



WARNING: Ground fixture in accordance with local and national electrical codes. Failure to do so may result in serious personal injury.