

Round (RPM)/Square (SPM) Canopies

Bolt Shapes, C, O, Zenith, Olive-30, P3614-22, P3918-30, P4018-30, Quad-22-33 & Quad Frame 22-33



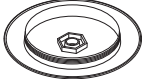

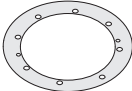










(These fixtures are **UNDER** 50 lbs)

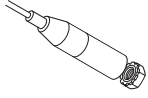
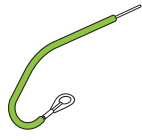




PRUDENTIAL LTG.

PRULITE.COM 213.746.0360

INSTALLATION INSTRUCTIONS

PART	PART NO.	DESCRIPTION
CANOPY BODIES:		
	100-00071-03	Round
	100-00072-03	Square
CANOPY COVERS:		
	105760	Single Feed
	105892	Dual Feed
	105597	Support Ring
	100-00334-14	#6-32 x 3/8" Phillips Pan Head. Type F. Self-Tap Screw (x8)
	100-00183-10	Insulation Ring
	100-00144-09	Romex Clamp — NPT 1/2"
	105717	Romex Clamp Bracket — NPT 1/2"
	100-00047-14	#8-32 x 3/8" HWH SL Self-Tap Screw (x2)
	100-00145-09	Romex Clamp — NPT 3/4" (Dual Feed)
	106029	Romex Clamp Bracket — NPT 3/4" (Dual Feed)
	100-00047-14	#8-32 x 3/8" HWH SL Self-Tap Screw (x2)
DUAL FEED BUSHINGS:		
	100-00338-14	Black
	100-00339-14	White

PART	PART NO.	DESCRIPTION
POWER CORDS:		
	100-00023-09	3-Wire
	100-00024-09	4-Wire
	100-00912-09	5-Wire
	100-01002-09	6-Wire
		SJT Power Cord
CABLE KITS:		
	100-00135-08	48"
	100-00136-08	96" 5/64" Galvanized Cable & 1/4" Ball 1/4" Nut & Gripper
	100-00137-08	144"
	100-00449-09	Grounding Wire 7"
	100-00187-14	#8-32 x 3/8" HHWSL GREEN Ground Screw
	100-00119-14	Washer #10 Cup Term-Brass

WARNING: Ground fixture in accordance with local and national electrical codes. Failure to do so may result in serious personal injury. Fixture Installations should **ONLY** be done by a qualified licensed electrical professional.

Round (RPM)/Square (SPM) Canopies

Bolt Shapes, C, O, Zenith, Olive-30, P3614-22, P3918-30, P4018-30, Quad-22-33 & Quad Frame 22-33

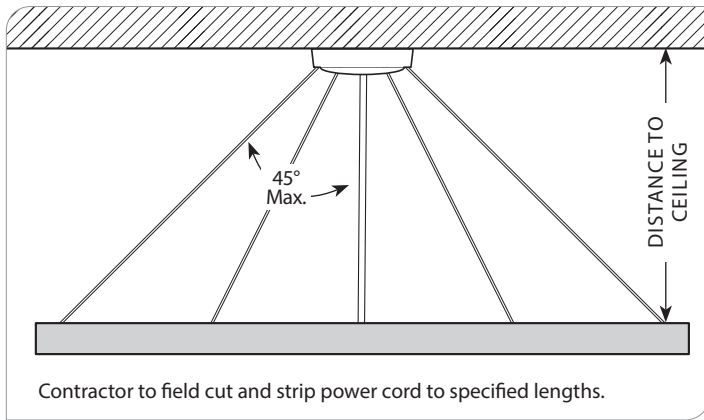
(These fixtures are **UNDER** 50 lbs)



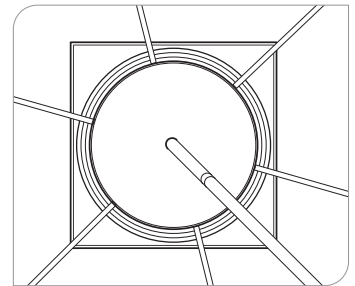
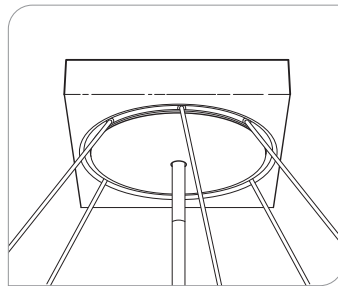
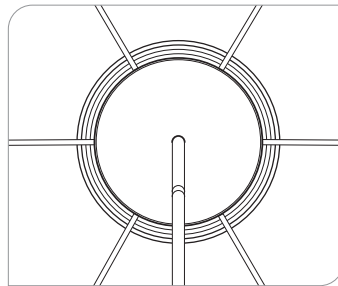
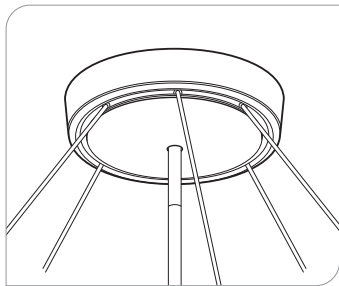
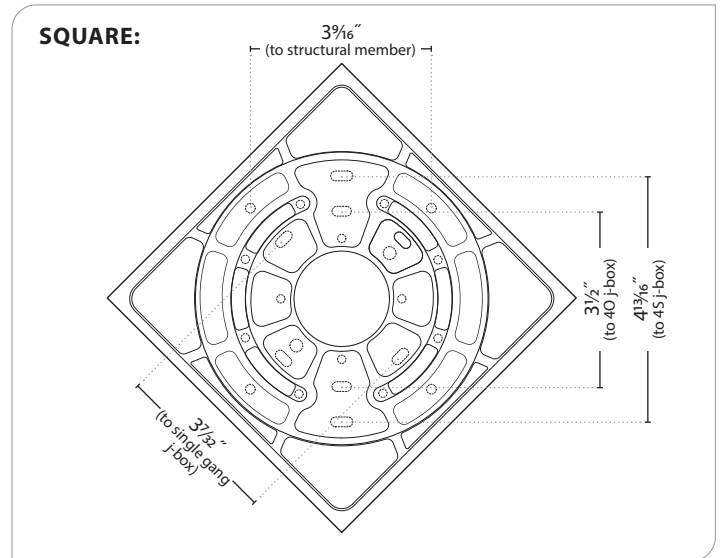
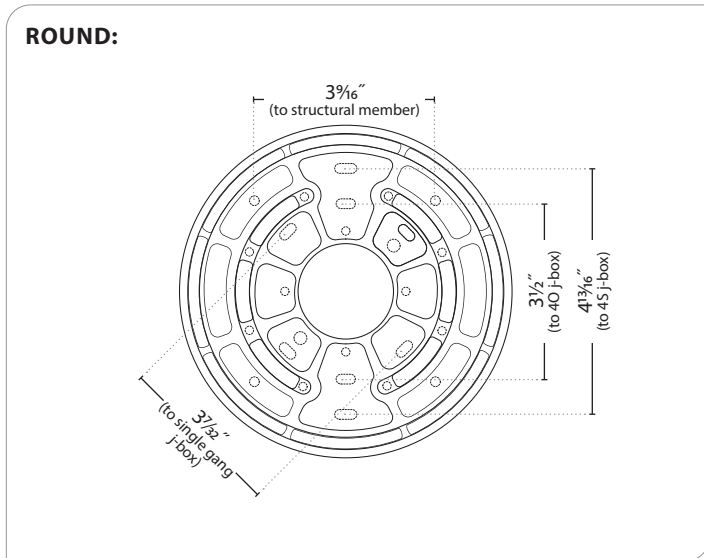
PRUDENTIAL LTG.

PRULITE.COM 213.746.0360

INSTALLATION INSTRUCTIONS



MOUNTING LOCATIONS



WARNING: Ground fixture in accordance with local and national electrical codes. Failure to do so may result in serious personal injury. Fixture Installations should **ONLY** be done by a qualified licensed electrical professional.

Round (RPM)/Square (SPM) Canopies

Bolt Shapes, C, O, Zenith, Olive-30, P3614-22, P3918-30, P4018-30, Quad-22-33 & Quad Frame 22-33

(These fixtures are **UNDER** 50 lbs)

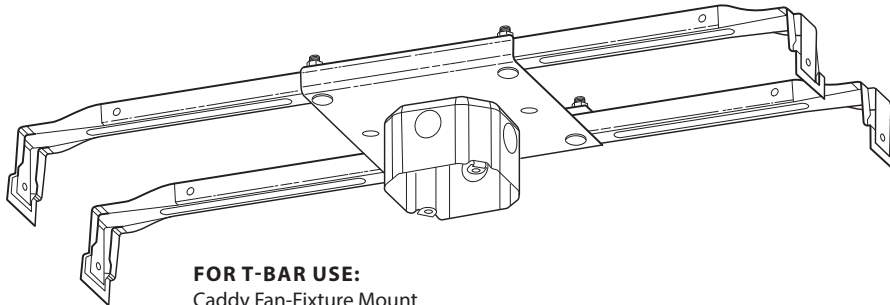


PRUDENTIAL LTG.

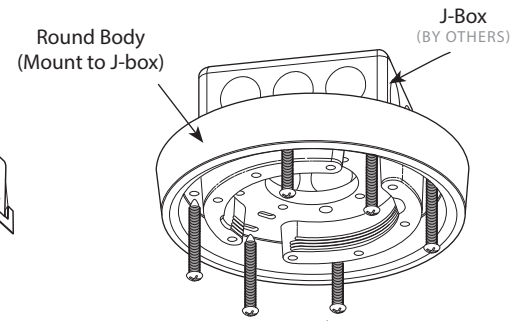
PRULITE.COM 213.746.0360

INSTALLATION INSTRUCTIONS

1) Mount Canopy Body to ceiling.



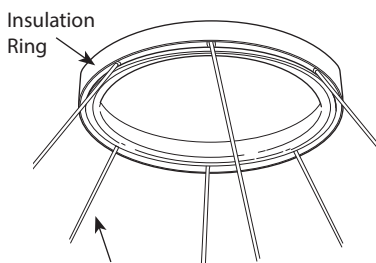
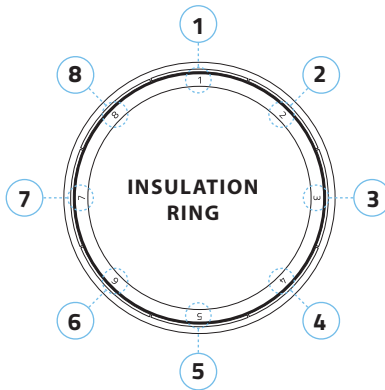
FOR T-BAR USE:
Caddy Fan-Fixture Mount
(BY OTHERS)



8 screws - Min 2"

OPTIONAL: Mount to structural members on fixtures over 50 lbs (BY OTHERS)
For fixtures over 50 lbs see separate manual

2) Pass cables through Insulation Ring. Follow location chart (below).

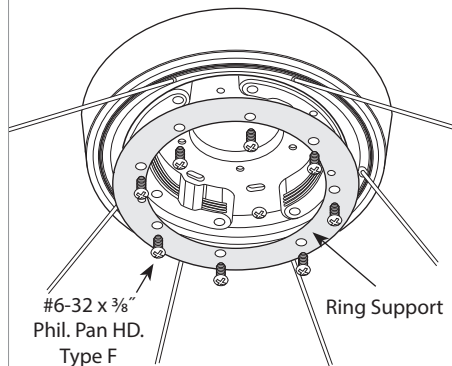


FIXTURE CABLE:
Variable quantity, see table

Cable Quantities & Locations

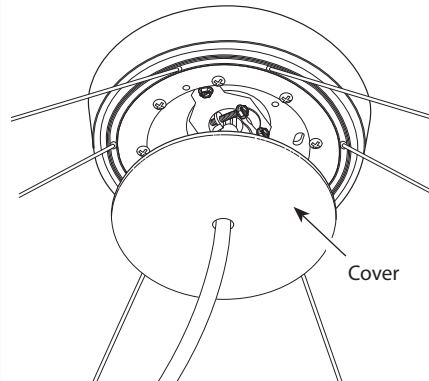
CABLE QTY	CHAMBERS
3	1, 4, 6
4	1, 3, 5, 7
5	1, 3, 4, 6, 7
6	1, 2, 4, 5, 6, 8

3) Fix Insulation Ring. Make sure cables will keep the fixture in the desired orientation / alignment.



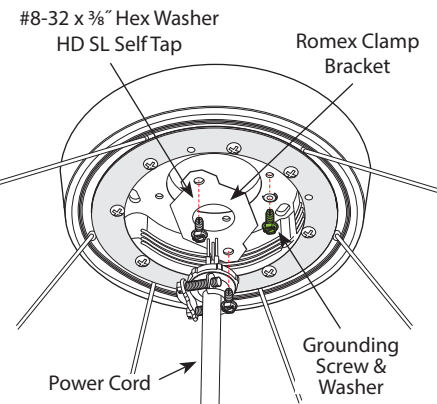
#6-32 x 3/8" Phil. Pan HD. Type F
Ring Support

5) Install cover. Turn cover clockwise, do not overtighten



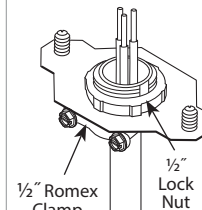
Cover

4) Make all power connections. Fix power cord to canopy with the Romex Clamp



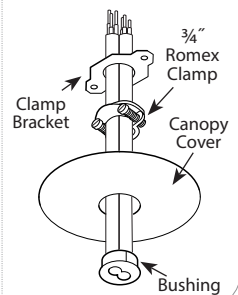
#8-32 x 3/8" Hex Washer
HD SL Self Tap
Romex Clamp Bracket
Power Cord
Grounding Screw & Washer

SINGLE FEED:



1/2" Romex Clamp
1/2" Lock Nut

DUAL FEED:



3/4" Romex Clamp
Clamp Bracket
Canopy Cover
Bushing

6) Hang and connect fixture per fixture instructions.

WARNING: Ground fixture in accordance with local and national electrical codes. Failure to do so may result in serious personal injury. Fixture Installations should **ONLY** be done by a qualified licensed electrical professional.