

Round (RPM)/Square (SPM) Canopies

P3640, P3950 & Quad-44



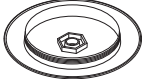

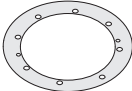










(These fixtures are **OVER** 63 lbs, **UNDER** 110 lbs)

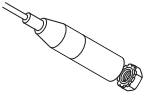





PRUDENTIAL LTG.

PRULITE.COM 213.746.0360

INSTALLATION INSTRUCTIONS

PART	PART NO.	DESCRIPTION
CANOPY BODIES:		
	100-00071-03	Round
	100-00072-03	Square
CANOPY COVERS:		
	105760	Single Feed
	105892	Dual Feed
	105597	Support Ring
	100-00334-14	#6-32 x 3/8" Phillips Pan Head. Type F. Self-Tap Screw (x8)
	100-00183-10	Insulation Ring
	100-00144-09	Romex Clamp — NPT 1/2"
	105717	Romex Clamp Bracket — NPT 1/2"
	100-00047-14	#8-32 x 3/8" HWH SL Self-Tap Screw (x2)
	100-00145-09	Romex Clamp — NPT 3/4" (Dual Feed)
	106029	Romex Clamp Bracket — NPT 3/4" (Dual Feed)
	100-00047-14	#8-32 x 3/8" HWH SL Self-Tap Screw (x2)
DUAL FEED BUSHINGS:		
	100-00338-14	Black
	100-00339-14	White

PART	PART NO.	DESCRIPTION
POWER CORDS:		
	100-00023-09	3-Wire
	100-00024-09	4-Wire
	100-00912-09	5-Wire
	100-01002-09	6-Wire
CABLE KITS:		
	100-00142-08	60"
	100-00143-08	108" 3/32" Galvanized Cable & 1/4" Ball 1/4" Nut & Gripper
	100-00144-08	156"
	100-00449-09	Grounding Wire 7"
	100-00187-14	#8-32 x 3/8" HHWSL GREEN Ground Screw
	100-00119-14	Washer #10 Cup Term-Brass

WARNING: Ground fixture in accordance with local and national electrical codes. Failure to do so may result in serious personal injury. Fixture Installations should **ONLY** be done by a qualified licensed electrical professional.

Round (RPM)/Square (SPM) Canopies

P3640, P3950 & Quad-44

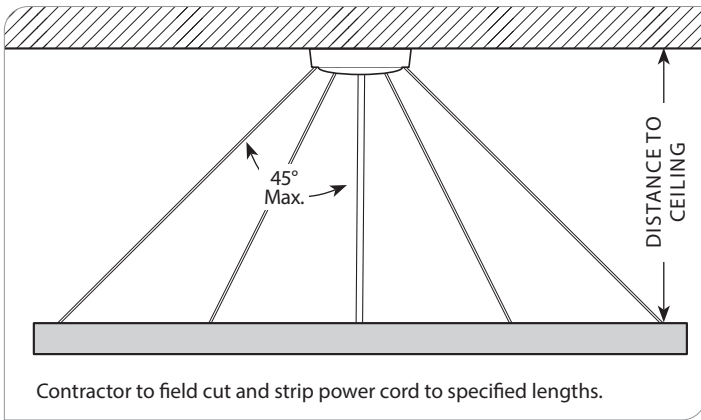
(These fixtures are **OVER** 63 lbs, **UNDER** 110 lbs)



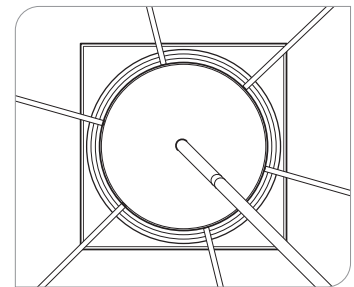
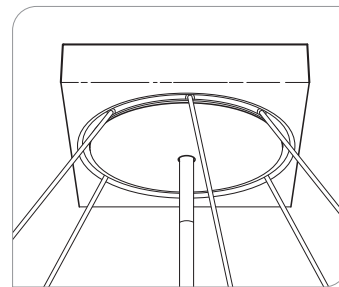
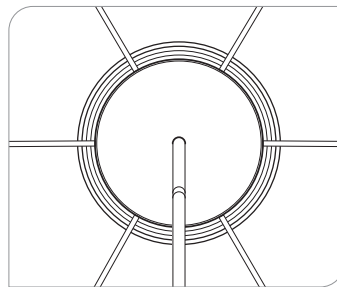
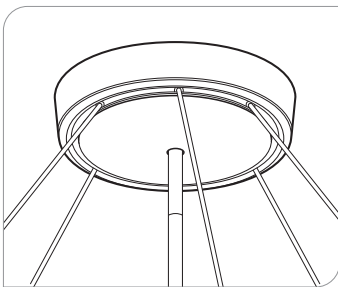
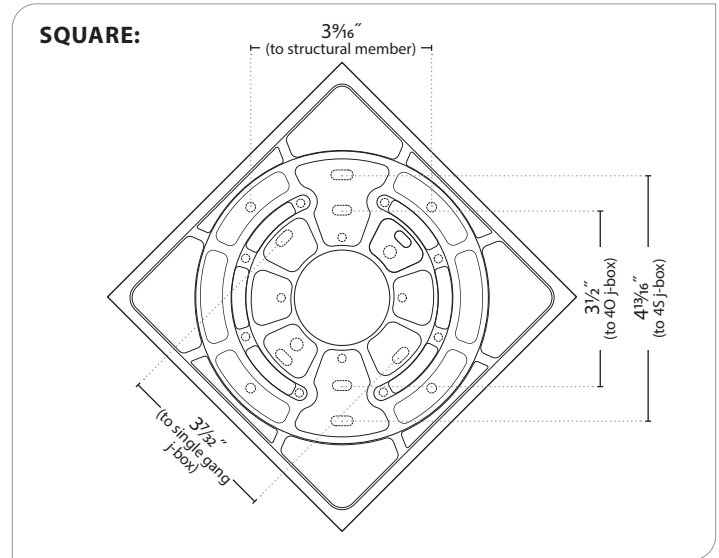
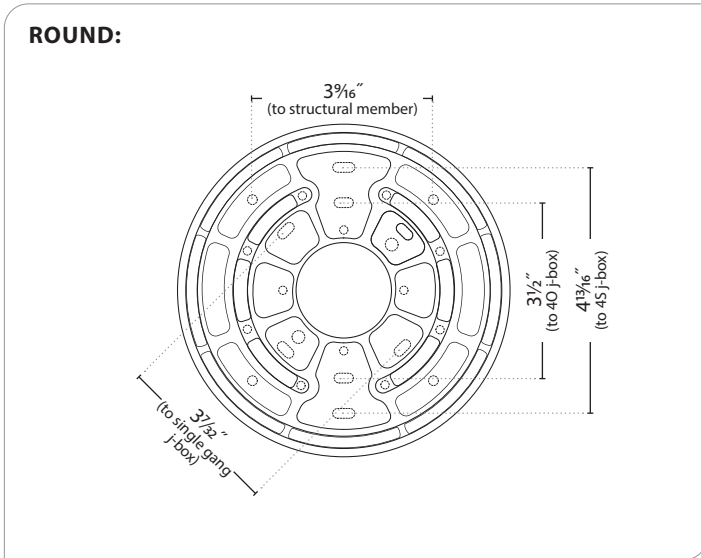
PRUDENTIAL LTG.

PRULITE.COM 213.746.0360

INSTALLATION INSTRUCTIONS



MOUNTING LOCATIONS



WARNING: Ground fixture in accordance with local and national electrical codes. Failure to do so may result in serious personal injury. Fixture Installations should **ONLY** be done by a qualified licensed electrical professional.

Round (RPM)/Square (SPM) Canopies

P3640, P3950 & Quad-44

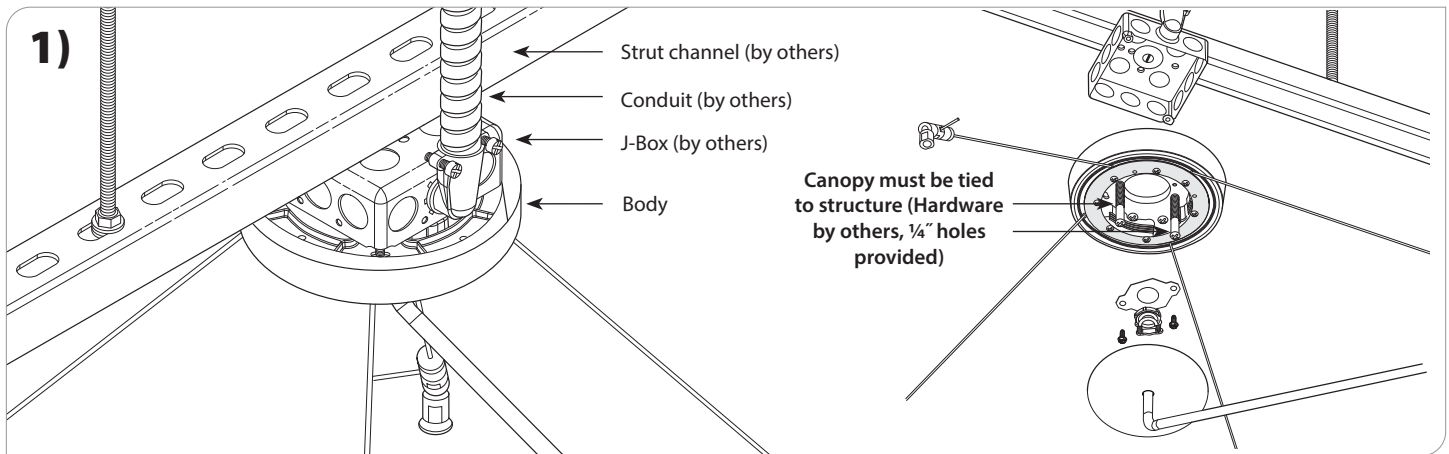
(These fixtures are **OVER** 63 lbs, **UNDER** 110 lbs)



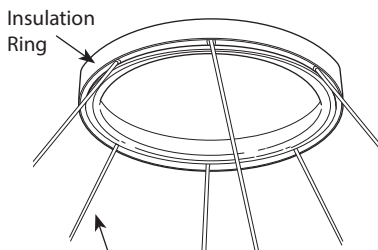
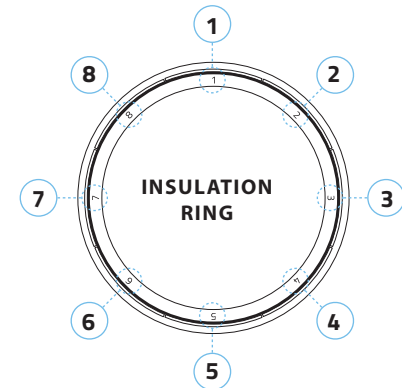
PRUDENTIAL LTG.

PRULITE.COM 213.746.0360

INSTALLATION INSTRUCTIONS



2) Pass cables through Insulation Ring. Follow location chart (below).

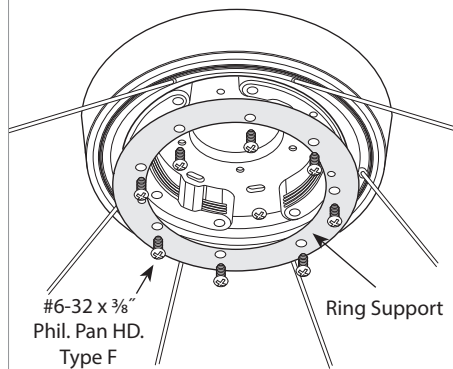


FIXTURE CABLE:
Variable quantity, see table

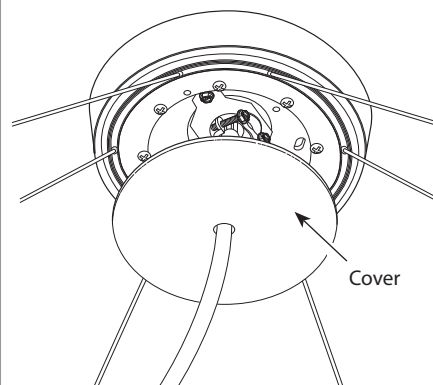
Cable Quantities & Locations

CABLE QTY	CHAMBERS
3	1, 4, 6
4	1, 3, 5, 7
5	1, 3, 4, 6, 7
6	1, 2, 4, 5, 6, 8

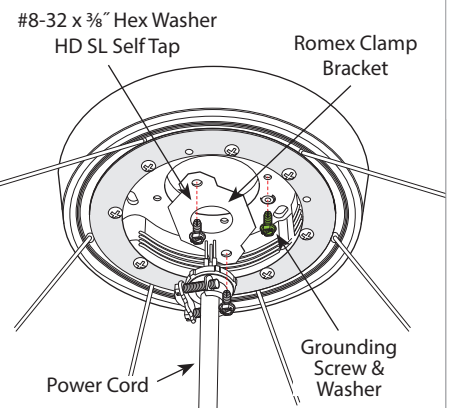
3) Fix Insulation Ring. Make sure cables will keep the fixture in the desired orientation / alignment.



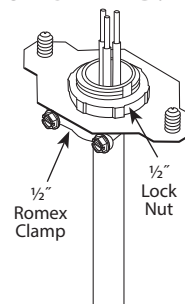
5) Install cover. Turn cover clockwise, do not overtighten



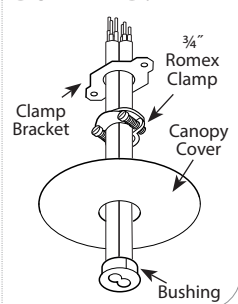
4) Make all power connections. Fix power cord to canopy with the Romex Clamp



SINGLE FEED:



DUAL FEED:



6) Hang and connect fixture per fixture instructions.

WARNING: Ground fixture in accordance with local and national electrical codes. Failure to do so may result in serious personal injury. Fixture Installations should ONLY be done by a qualified licensed electrical professional.

Round (RPM)/Square (SPM) Canopies

P3640, P3950 & Quad-44

(These fixtures are **OVER** 63 lbs, **UNDER** 110 lbs)

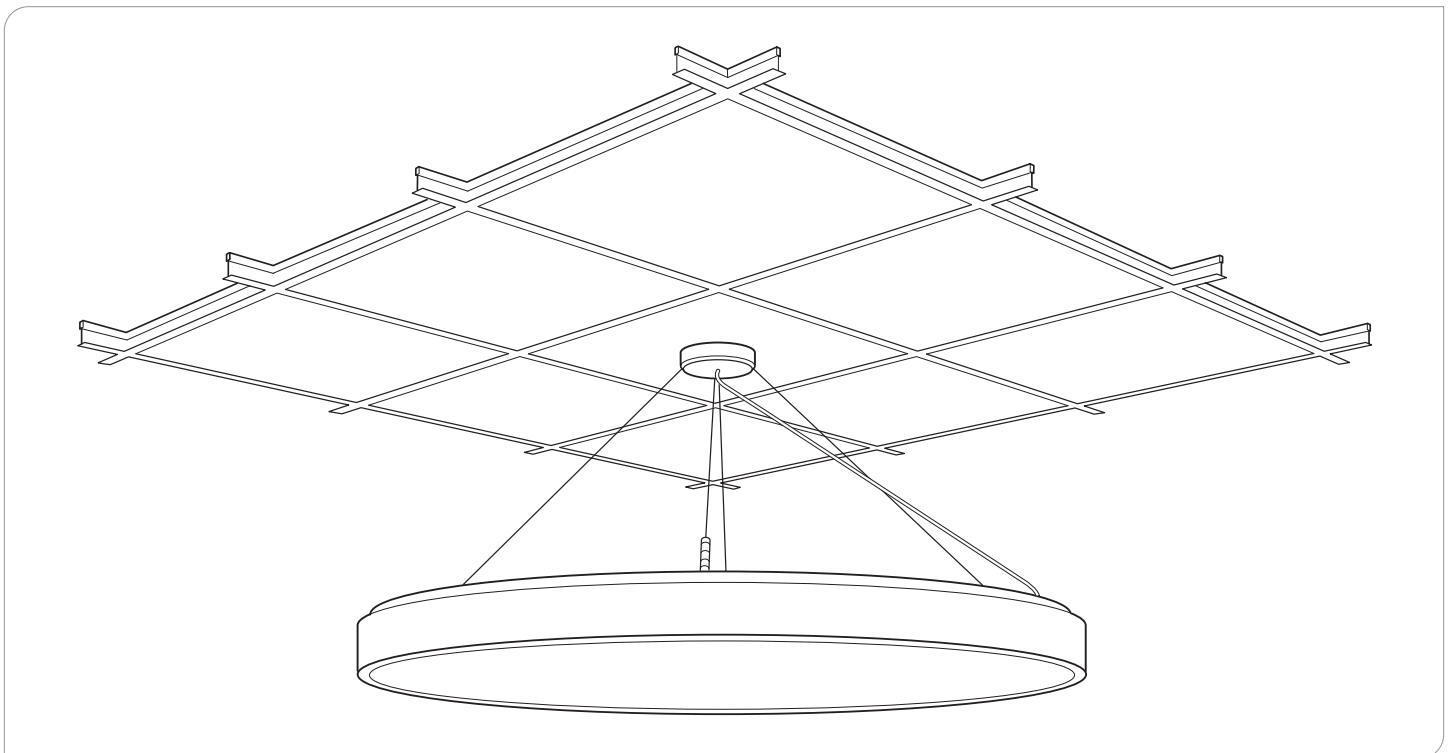
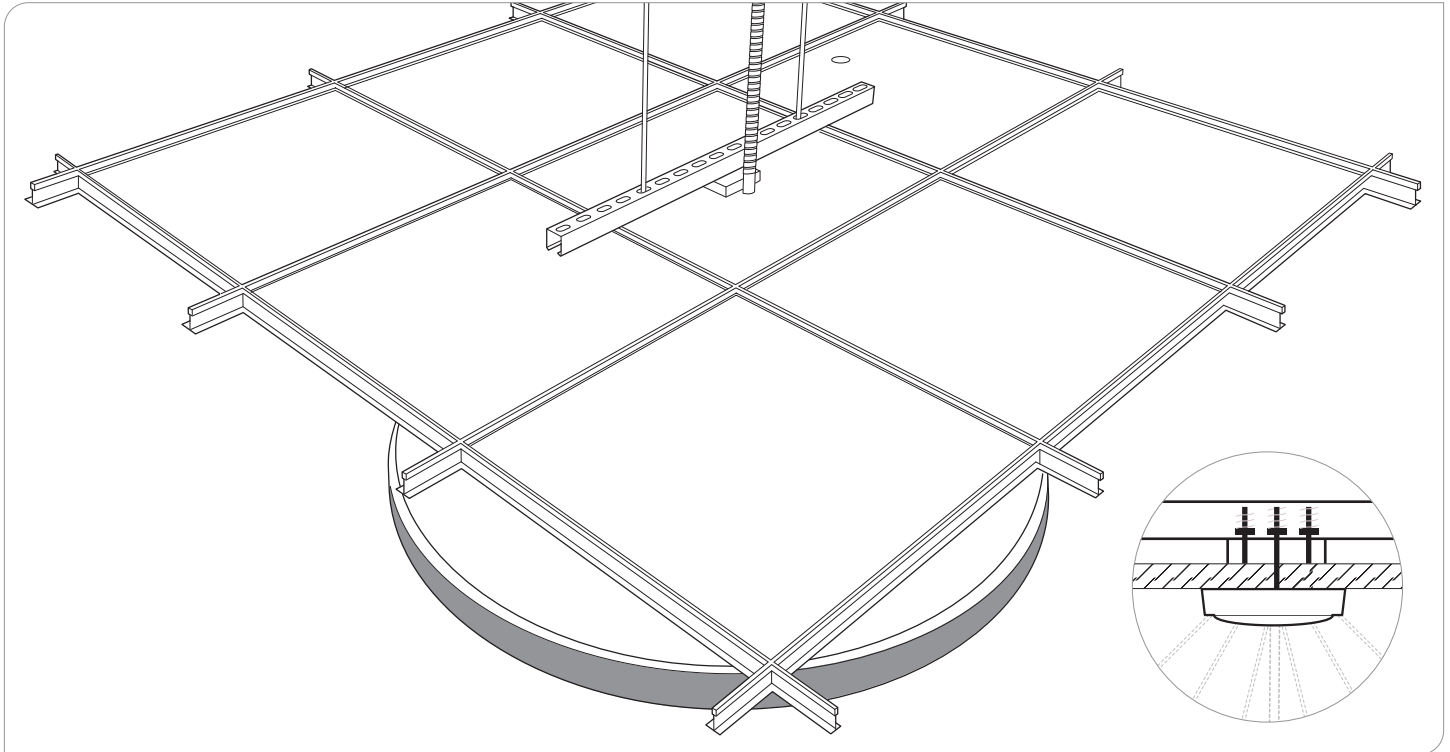


PRUDENTIAL LTG.

PRULITE.COM 213.746.0360

INSTALLATION INSTRUCTIONS

CABLE ASSEMBLY



WARNING: Ground fixture in accordance with local and national electrical codes. Failure to do so may result in serious personal injury. Fixture Installations should **ONLY** be done by a qualified licensed electrical professional.