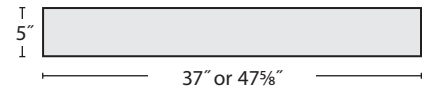


Type:

Job:



"For fans of the asymmetrical"

Sleek and seamless Euro-styled body and lens with 5" height and sharp .5" trim detail. Seamless and evenly lit flat white acrylic lenses and independent upright.

OLV-30-LED35-HO-FWA-D1
 7284 Delivered Lumens
 118 Watts
 62 lm/w

**LUMEN OUTPUT:
Direct (D1)**

	LO	MO	SO	HO
OLV-30: lm/w	2900	3750	5000	7275
	42	58	80	118
OLV-40: lm/w	5000	6750	8850	12500
	70	97	133	200



Lumen output may vary +/- 5%
 3500K used for lm/ft estimates above
 4000K +2% If, 3000K -2%, 2700K -4%

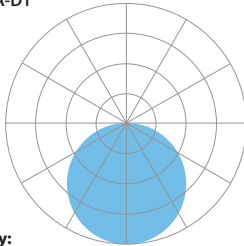
See LED Details PDF for more info

SERIES	LED COLOR	OUTPUT	SHIELDING	COLOR/FINISH	DISTRIBUTION	CIRCUITING	VOLTAGE	MOUNTING	CEILING SYSTEMS	DRIVERS	OPTIONS
OLV-30 3" Dia.	LED3 3000K	LO Low	FWA Flat White Acrylic Lens	TMW Textured Matte White (Standard)	D1 Direct Solid Top	SC Single Circuit	UNV (120-277)	SUR Surface Mount (1" Standoff from ceiling)	X1 T-Bar 1 1/16" or 1/16" Exposed (Standard) Consult factory for 3/16" Tegular	ND Non-Dimming DM10 0-10v, 10% Dimming (Standard) DM01 0-10v, 1% Dimming STEP Step Dimming, 100-50-Off, Osram NOTE: Lumens and watts per foot may differ for STEP drivers, consult factory	EMHE Emergency Battery (500 delivered lumens) — CA compliant — Remote only — Remote (RTK) test kit included
OLV-40 4" Dia.	LED35 3500K LED4 4000K	MO Medium SO Standard HO High PROG Program- mable Light Output (Specify desired lm or w/ fixture)		YGW Gloss White Y_ Premium Color CC Custom Color	NOTE: Only 1 row of LEDs D9 Semi- Direct NOTE: Only 1 row of LEDs, 17% Up, 83% Down. To specify more or less Up- light, see Output.	DC Dual Circuit (Two feeds required, D9 only)	(Emergen- cy battery requires a Step Down trans- former)	MPCA48", 96" or 144" Monopoint Mounting (18" min from fixture to ceiling) NOTE: Fixture may spin with air movement CA48", 96" or 144" Aircraft Cable (Adjustable) SSC_ Top-Swivel Stem Mount (Specify length)	X3 Hard Ceiling X6 Slot Grid or Interlude	LDE5 5-Series EcoSystem LED LDE1 Hi-lume 1% EcoSystem LED (Soft fade on, fade-to-black dimming) LTE Hi-lume 1% 2-Wire LED Driver (120V forward phase only) ECO 1% 0-10v, EldoLED (Logarithmic dimming std) ECDA 1% DALI, EldoLED (Logarithmic dimming std) SOLO 0.1% 0-10v, EldoLED (Dim-to-dark, Logarithmic dimming std) SODA 0.1% DALI, EldoLED (Dim-to-dark, Logarithmic dimming std)	IBC Insulated Braided Cord PRUBIN Meticulous Binning and Labeling every LED Board within a 2-Step MacAdams Ellipse



D1 — DIRECT

High Output:
OLV-30-LED35-HO-FWA-D1
 7284 Delivered Lumens
 118 Watts
 62 lm/w
 Test
 #10299977LAX-002



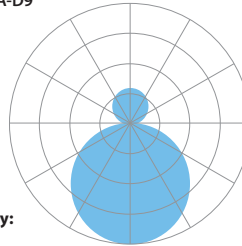
Zonal Lumen Summary:
 0-90 (Down) = 100%

2512

Vertical Angle	0°	25°	45°	65°	90°
0°	2512	2512	2512	2512	2512
5°	2499	2500	2501	2501	2501
15°	2410	2411	2411	2410	2410
25°	2235	2236	2234	2233	2232
35°	1984	1988	1985	1982	1980
45°	1675	1676	1671	1668	1666
55°	1316	1313	1308	1306	1307
65°	924	922	917	915	914
75°	723	723	718	717	716
85°	527	527	522	522	521
90°	0	0	0	0	0

D9 — SEMI-DIRECT

High Output:
OLV-30-LED35-HO-FWA-D9
 8748 Delivered Lumens
 138 Watts
 63 lm/w
 Test
 #10299977LAX-002



Zonal Lumen Summary:
 0-90 (Down) = 80.5%
 90-180 (up) = 19.5%

2472

Vertical Angle	0°	22.5°	45°	67.5°	90°
0°	2472	2472	2472	2472	2472
5°	2450	2455	2455	2459	2423
15°	2347	2346	2351	2359	2359
25°	2163	2161	2167	2174	2183
35°	1911	1905	1911	1919	1932
45°	1596	1594	1594	1603	1617
55°	1247	1236	1235	1243	1255
65°	868	853	853	859	870
75°	489	875	475	479	488
85°	139	131	140	145	145
90°	41	31	34	48	29
95°	63	68	74	74	68
115°	204	208	211	213	211
125°	289	293	294	297	297
135°	374	376	377	380	382
145°	451	453	451	455	459
155°	510	511	511	515	518
165°	554	554	554	558	561
175°	578	575	577	581	585
180°	582	582	582	582	582

LUMEN OUTPUT:
Direct/Semi-Direct (D9)

D1 ON PREVIOUS PAGE

		LO	MO	SO	HO
OLV-30:	lm	3275	4550	6075	8750
	w	48	68	94	138
OLV-40:	lm	5350	6500	9900	13800
	w	80	102	153	218

LUMEN MAINTENANCE

Designed to last with cool running mid-power LEDs projected to maintain 90% (L90) of their initial output for 100,000 hours (at HO), and L70 exceeding 150,000 hours.

LED SYSTEM LED modules and drivers are field replaceable.

PROG (OPTIONAL) Programmable light output. Specify desired lumens or watts, consult factory for min and max on Sky Oculus Series.

BINNING Standard binning (all Prudential LED boards) includes testing at the chip level and board integration to provide consistent color temperature within a 3-step MacAdams ellipse. +/- 100 lumens, +/- 100k CCT and +/- .004 Duv

PRUBIN™ (OPTIONAL) Prudential Ltg's exclusive 'job binning' method that ensures color temperature consistency across all luminaires on a project. Meticulously testing and labeling **EVERY LED BOARD** to +/- 25 lumens, +/- 50k CCT and +/- .004 Duv — while also separating positive from negative — allows us to match color, hue and intensity throughout a project and provides a consistent color temperature within a 2-step MacAdams ellipse.

LABELS

ETL damp labeled and I.B.E.W. manufactured.

ELECTRICAL

Must specify LED dimming controls. LED fixtures have constant current driver(s) with less than 20% THD when loaded to a minimum of 60%. Drivers sink a maximum of 6mA per driver. DM10 LED drivers are 0-10V dimmable and are compatible with most 0-10V wall slide dimmers and direct 0-10V analog signal dimmers.

CONSTRUCTION

Housing Extruded aluminum, rolled and welded, >25% PC recycled, 100% recyclable

Lens Flat acrylic, 100% recyclable.

MOUNTING

Surface or suspended by aircraft cables, top-swivel stems.

WARRANTY

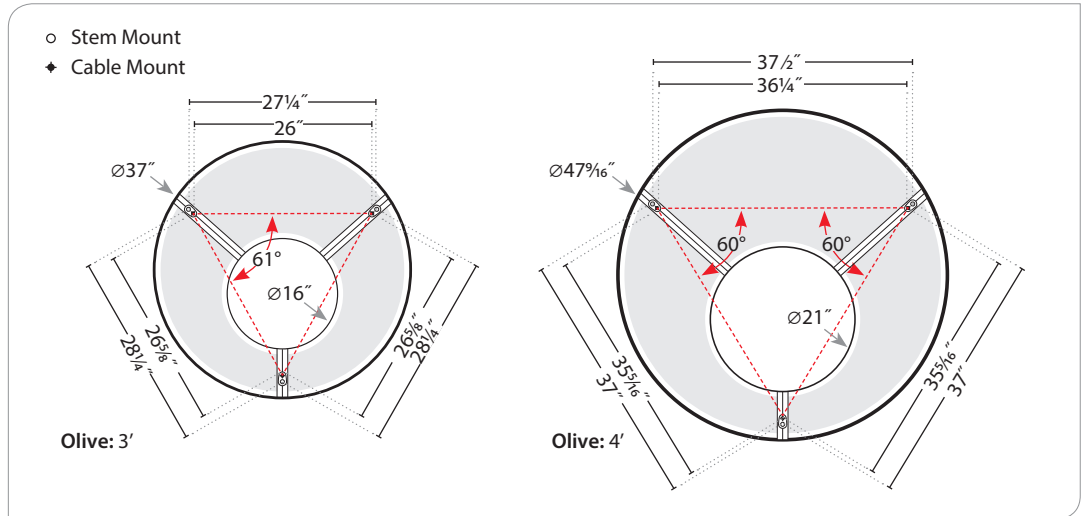
Single-source, 5 year limited warranty covers standard components and construction.



YSW – Seashell White (Matte)	YCH – Champagne (Metallic)
YSL – Silver (Metallic)	YPE – Pewter (Matte)
YRG – Rain Grey (Gloss)	YSTM – Storm Grey (Matte)
YBK – Black (Matte)	YBB – Black (Semi Gloss)
YSKM – Sky (Matte)	YMB – Military Blue (Matte)
YIB – Interstate Blue (Matte)	YSAM – Sapphire (Matte)
YFGM – Forest Green (Matte)	YBR – Bronze (Matte)
YBY – Boysenberry (Matte)	YSRM – Sunset Red (Matte)
YOR – Orange (Matte)	YDAM – Daffodil (Matte)



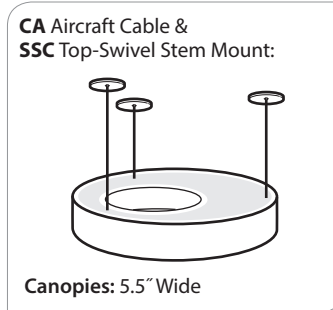
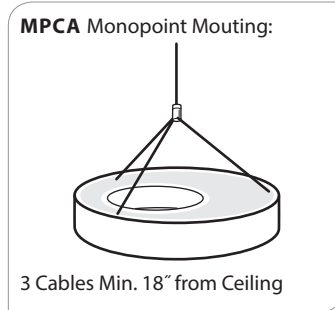
MOUNTING LOCATIONS



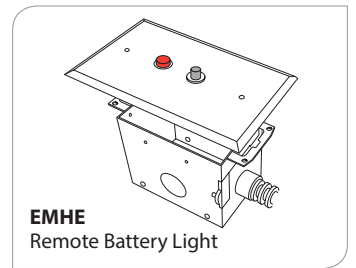
Choose from one of our Premium Colors with no set-up fee.

For paint chip samples, please email: info@prulite.com

MOUNTING OPTIONS



RTK: REMOTE TEST KIT



NOTE: Provided with 3' flex