



P23 | Cove & Perimeter

2" Perimeter

INSTALLATION INSTRUCTIONS



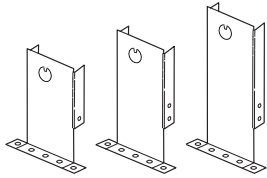
PRUDENTIAL LTG.

PRULITE.COM 213.746.0360

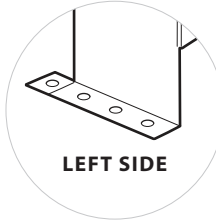
X7 (HARD CEILING CONCEALED FLANGE)

PARTS LIST	PART NO.	DESCRIPTION
------------	----------	-------------

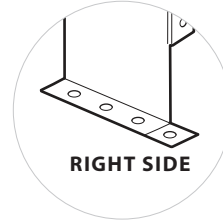
FINISH PLATES:



91456	Flush
91457	Regress 1
91458	Regress 3

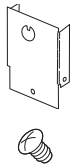


LEFT SIDE



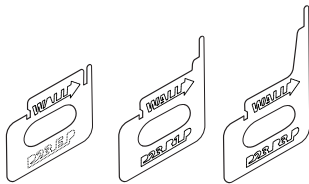
RIGHT SIDE

PRIOR TO INSTALLING FINISH PLATES, BREAK OFF WALL SIDE ON FLANGE AT SCORE LINE



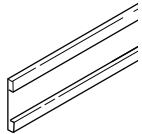
91459	Wall to Wall
100-00018-14	6-32 x 1/4" Phil Pan Head Screw

APERTURE GUIDES:

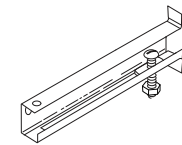


104220	Flush
104218	Regress 1
104219	Regress 3

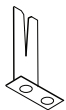
PARTS LIST	PART NO.	DESCRIPTION
------------	----------	-------------



SEE ORDER Wall Rail Extrusion



100638 Mounting Bracket Assembly



101504 Body Joiner



100-00019-14 #8 x 1/4" HWH SMS Phil Screw, Type A

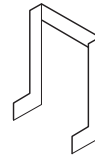


100-00273-14 7/64" x 1" Aligner Pin



100-00086-14 6 x 3/8" Phil Pan Tek Screw

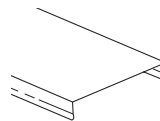
PARTS LIST	PART NO.	DESCRIPTION
------------	----------	-------------



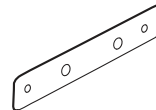
101274 Reflector Removal Tool



82484 Lens Removal Tool



See Order Lens



29513 Aligner Spline



100-00286-14 6-32 x 3/16" Phil Pan Head Screw

WARNING: Ground fixture in accordance with local and national electrical codes. Failure to do so may result in serious personal injury.



Prudential Ltg. reserves the right to change design specifications or materials without notice. Please visit prulite.com for most current data.
© 2015 All rights reserved - All products manufactured at: Prudential Ltg. 1774 E. 21st Street, Los Angeles, CA 90058



P23 | Cove & Perimeter

2" Perimeter

INSTALLATION INSTRUCTIONS



PRUDENTIAL LTG.

PRULITE.COM 213.746.0360

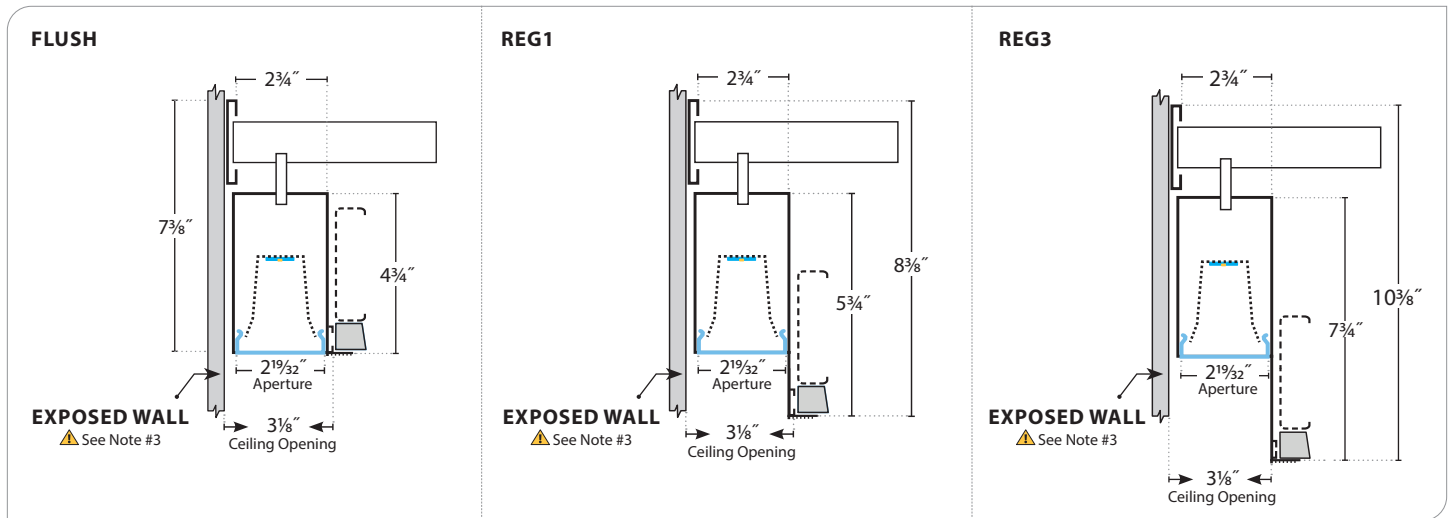
X7 (HARD CEILING CONCEALED FLANGE)

NOTES

- Wall must extend at a minimum up to top of aluminum wall rail edge (see detail B).
- Fixture mounting system must be installed prior to ceiling installation.
- Exposed wall must be finished above finished ceiling prior to fixture installation (see table →).

FINISHED WALL HEIGHT

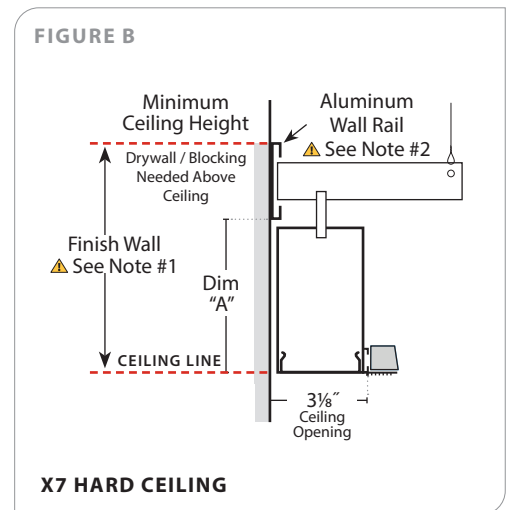
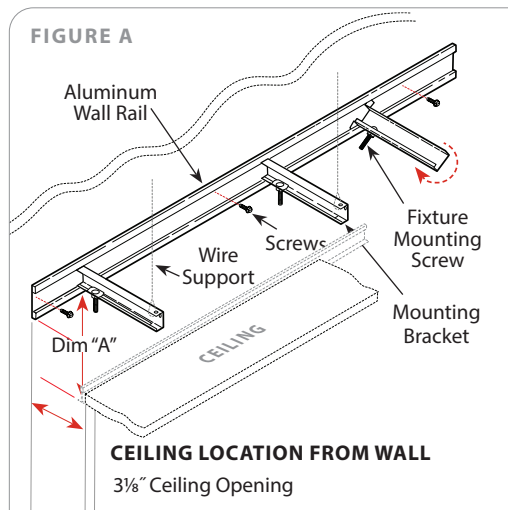
CEILING	EXPOSED WALL
Flush	2"
Reg1	3"
Reg3	5"



MOUNTING RAIL INSTALLATION

See row diagram or Prudential Ltg. plan layout (If provided). Begin all row mounting from left to right facing wall surface (see arrows).

1. Facing wall, Install first aluminum wall rail (See Dim "A") above finish ceiling line to reinforced wall with screws (provided by others). Field trim last rail in row.
2. Turn mounting brackets into place on wall rail at fixture mounting hole locations (see figures A & B).
3. Secure with wire supports (Provided by others) from mounting brackets to overhead support structure.



WALL RAIL MOUNTING HEIGHT	
CEILING	DIM "A"
Flush	5"
Reg1	6"
Reg3	8"

WARNING: Ground fixture in accordance with local and national electrical codes. Failure to do so may result in serious personal injury.



P23 | Cove & Perimeter

2" Perimeter

INSTALLATION INSTRUCTIONS



PRUDENTIAL LTG.

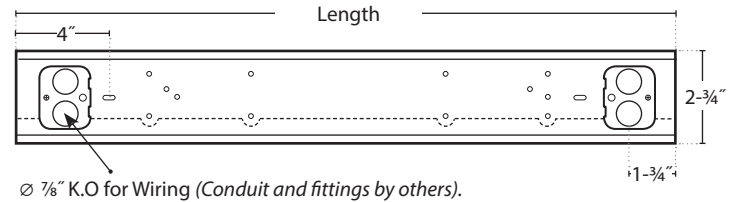
PRULITE.COM 213.746.0360

X7 (HARD CEILING CONCEALED FLANGE)

CEILING PREPARATION

1. Cut ceiling opening to dimensions specified. (See rough-in dimensions).
2. Remove LED reflector and install fixture housing onto mounting bracket (Figure 1).
3. Pull supply wires through K.O. into the fixture.
4. Place aperture guides inside fixture to prevent any deformation of housing (Figure 2) during installation. Screw flange onto ceiling. Drive screws straight up, **DO NOT ANGLE**, will distort aperture opening. Install lens to test for proper fit. If lens fits too tight or too loose, unscrew flanges from ceiling, adjust aperture opening accordingly and re-secure flange to ceiling. Test lens again, and repeat until lens snaps in firmly.
5. Make all wire connections and replace LED reflectors.
6. Apply plaster around flange (Figure 3).
7. Snap lens into housing (Figure 4).

INDIVIDUAL MOUNTING:



ROUGH-IN DIMENSIONS:

FIXTURE LENGTH	LIGHT POCKET CEILING OPENING		WALL TO WALL CEILING OPENING	
	LENGTH	WIDTH	LENGTH	WIDTH
24"	24 5/8"	x 3 1/4"	24 1/2"	x 3 1/4"
36"	36 5/8"		36 1/2"	
48"	48 5/8"		48 1/2"	
72"	72 5/8"		72 1/2"	
84"	84 5/8"		84 1/2"	
96"	96 5/8"		96 1/2"	

REFLECTOR DETAILS

FIGURE 1: REFLECTOR REMOVAL DETAIL

Remove reflector assembly to expose mounting obrounds and driver wire leads, squeeze and pull out at each end of reflector so spring clips disengage from clip support bracket.

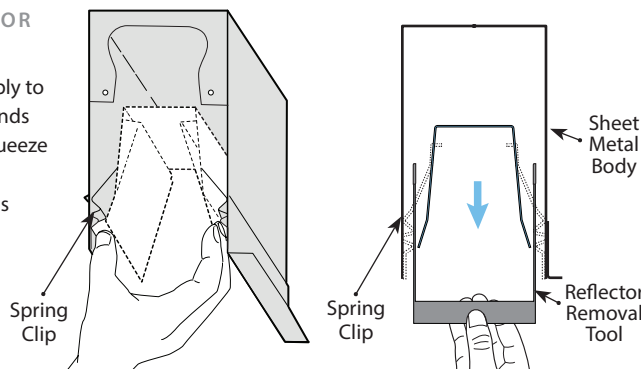


FIGURE 3

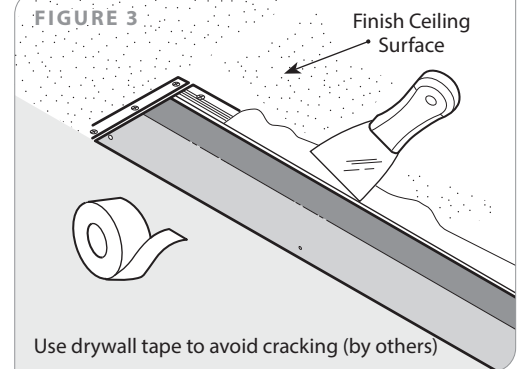


FIGURE 2: INSTALLATION GUIDES

Insert guide near screw holes, hold guide in place while installing screws.

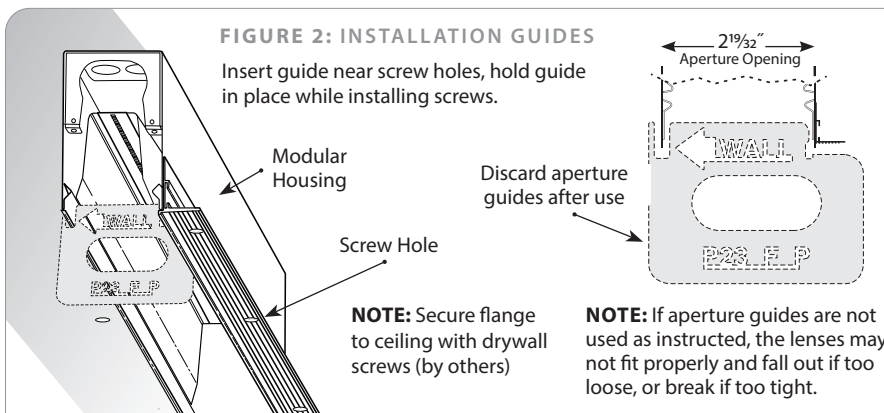
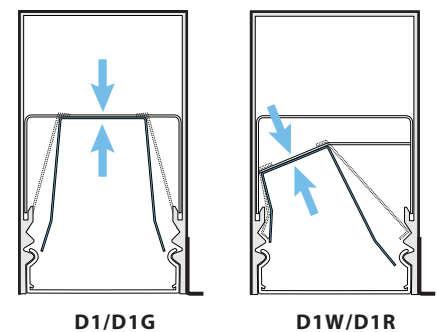


FIGURE 4: REFLECTOR POSITION



WARNING: Ground fixture in accordance with local and national electrical codes. Failure to do so may result in serious personal injury.



Prudential Ltg. reserves the right to change design specifications or materials without notice. Please visit prulite.com for most current data.
© 2015 All rights reserved - All products manufactured at: Prudential Ltg. 1774 E. 21st Street, Los Angeles, CA 90058



P23 | Cove & Perimeter 2" Perimeter

INSTALLATION INSTRUCTIONS

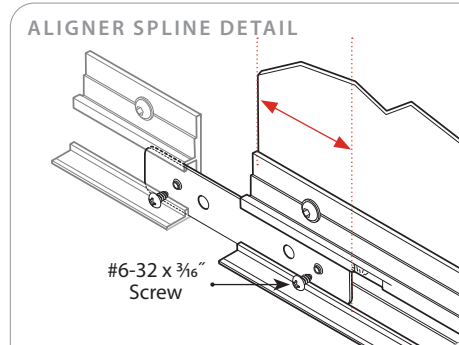
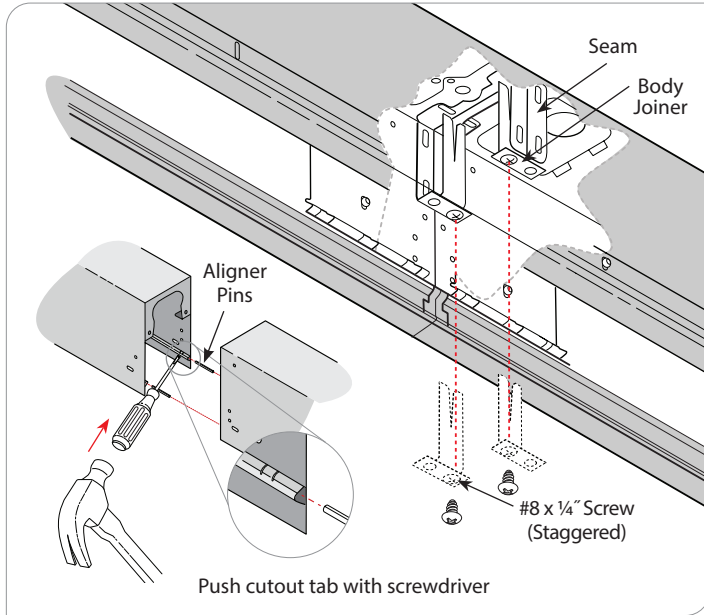
X7 (HARD CEILING CONCEALED FLANGE)



PRUDENTIAL LTG.

PRULITE.COM 213.746.0360

JOINING DETAIL



WARNING: Ground fixture in accordance with local and national electrical codes. Failure to do so may result in serious personal injury.



Prudential Ltg. reserves the right to change design specifications or materials without notice. Please visit prulite.com for most current data.
© 2015 All rights reserved – All products manufactured at: Prudential Ltg. 1774 E. 21st Street, Los Angeles, CA 90058



P23 | Cove & Perimeter

2" Perimeter

INSTALLATION INSTRUCTIONS



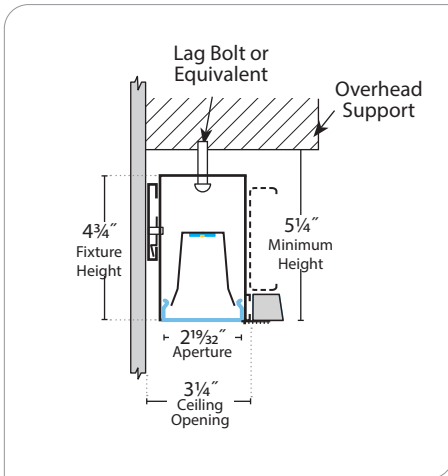
PRUDENTIAL LTG.

PRULITE.COM 213.746.0360

SHALLOW PLENUM

NOTES

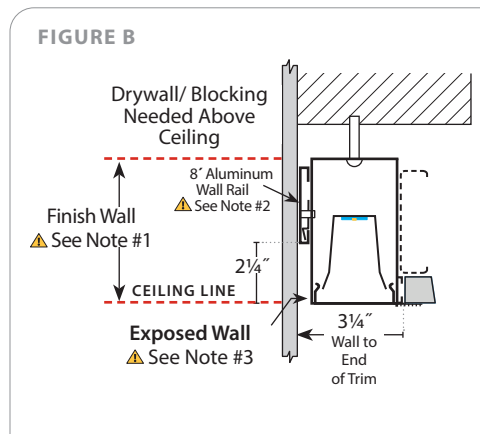
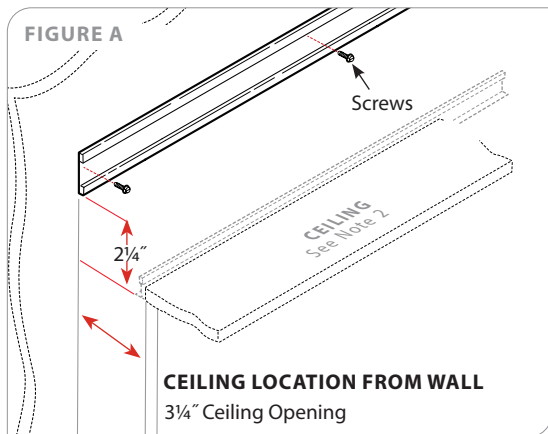
- Finish wall must be completed (minimum) to top of fixture edge (See detail B).
- Fixture mounting system and fixture must be installed prior to ceiling installation.
- Exposed wall must be finished 2" above ceiling prior to fixture flush installation. (See detail B).
- Plenum height must be 5 1/4" minimum from ceiling line. (See detail B).



MOUNTING RAIL INSTALLATION

See row diagram or Prudential Ltg. plan layout (If provided). Begin all row mounting from left to right facing wall surface (see arrows).

Facing wall, Install first aluminum wall rail 2 1/4" above finish ceiling line (See figures A & B) to reinforced wall with screws (provide by others). Field trim last rail in row.



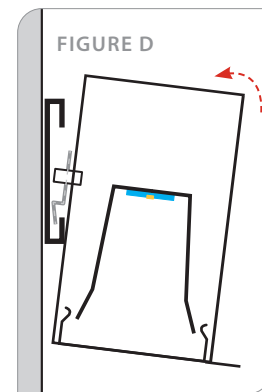
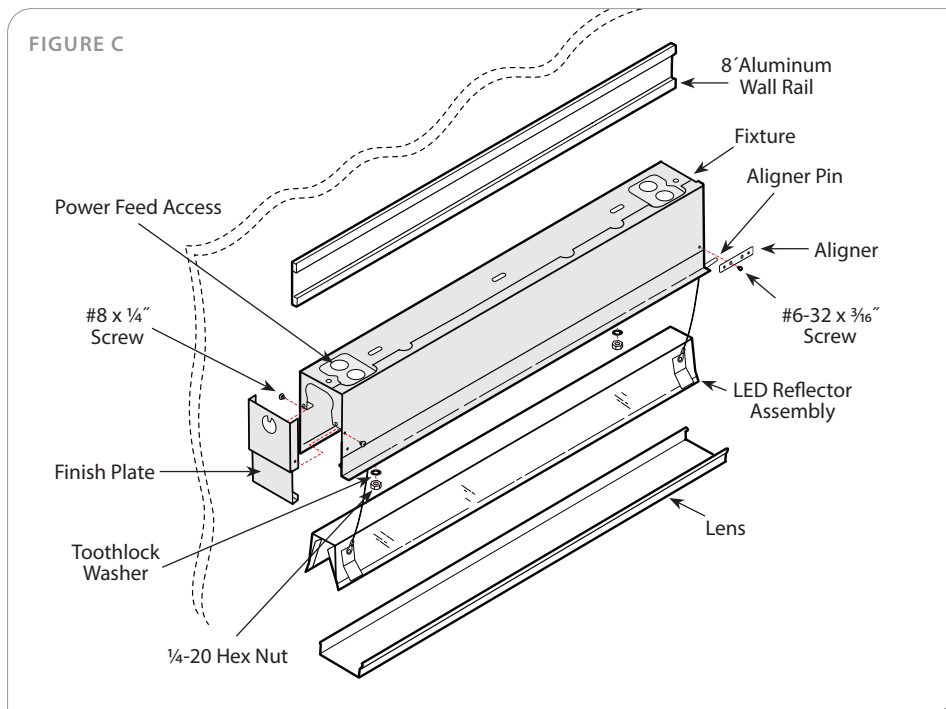
WARNING: Ground fixture in accordance with local and national electrical codes. Failure to do so may result in serious personal injury.



SHALLOW PLENUM

FIXTURE MOUNTING

1. Remove reflector assembly to expose mounting obrounds and driver wire leads by pulling out each end of the reflector using the reflector removal tool, and squeezing reflector sides so spring clips disengage from support bracket (see page 3).
2. Install finish plate with (2) #8 x 1/4" screws (see figure C). For rows, secure aligner spline to trim frame using #6-32 x 3/16" screw and install aligner pins to seam end of fixture (see joining details, page 4).
3. Lift fixture assembly and secure onto mounting rail (See detail D), secure fixture to structure, lag bolt or drywall screws. See cross sections (Figure B, page 5). (Bolt and screws not provided).
4. Repeat #1, 2 and 3 to install remaining fixtures and corners in row. Secure fixtures end to end with (2) body joiners and (2) #8 x 1/4" screws and (2) aligner pins per seam (see joining detail, page 4)



WARNING: Ground fixture in accordance with local and national electrical codes. Failure to do so may result in serious personal injury.





P23 | Cove & Perimeter 2" Perimeter

INSTALLATION INSTRUCTIONS

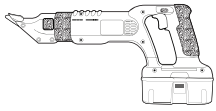


PRUDENTIAL LTG.

PRULITE.COM 213.746.0360

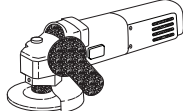
FILLER KIT

TOOLS REQUIRED



Power Shears

or



Grinder



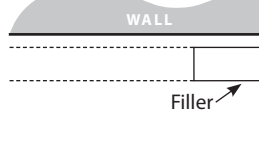
Drill

INSTALLATION

PLEASE READ THE FOLLOWING INSTRUCTIONS CAREFULLY:

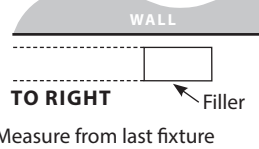
1. Determine **FILLER** location & measure length of filler needed.

WALL TO WALL



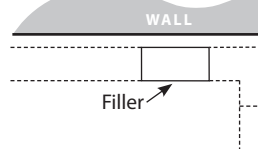
Measure from last fixture to wall (Subtract 1/4")

LIGHT POCKET



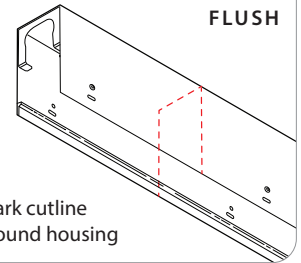
Measure from last fixture to ceiling opening (Subtract 5/16" for X3/X7)

PATTERN



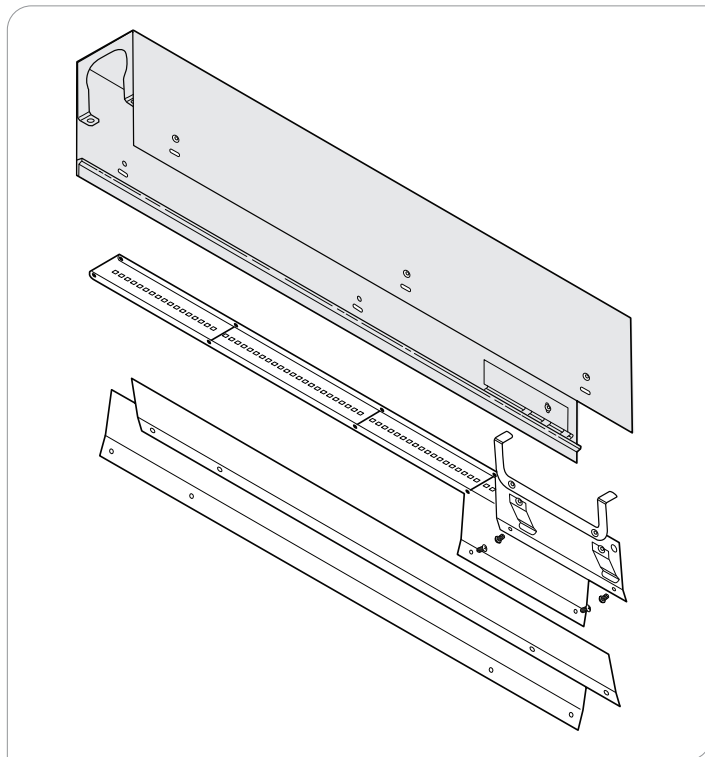
Measure from last fixture to connector

FLUSH



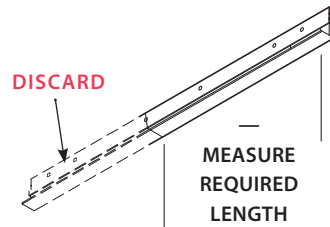
Mark cutline around housing

2. Disassemble **FILLER** Kit.

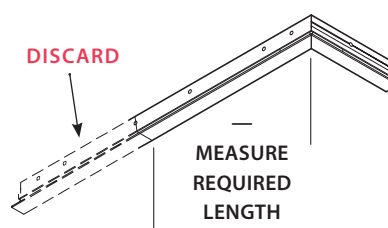


3. Measure Trim and Mark for Cutting

WALL TO WALL & PATTERN



LIGHT POCKET



WARNING: Ground fixture in accordance with local and national electrical codes. Failure to do so may result in serious personal injury.



Prudential Ltg. reserves the right to change design specifications or materials without notice. Please visit prulite.com for most current data.
© 2015 All rights reserved - All products manufactured at: Prudential Ltg. 1774 E. 21st Street, Los Angeles, CA 90058



P23 | Cove & Perimeter 2" Perimeter

INSTALLATION INSTRUCTIONS

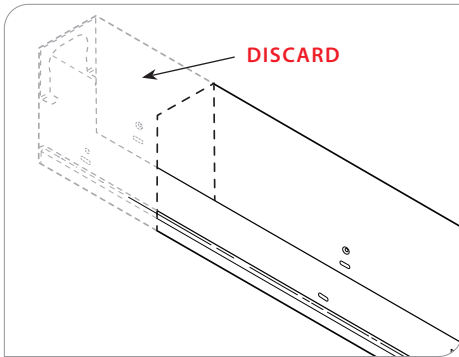


PRUDENTIAL LTG.

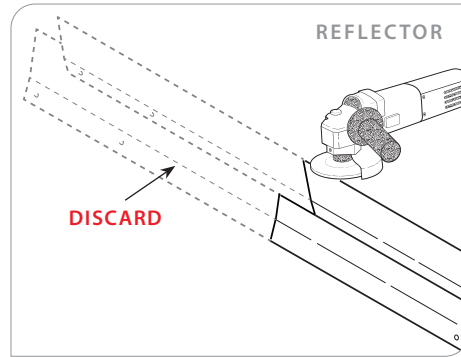
PRULITE.COM 213.746.0360

FILLER KIT

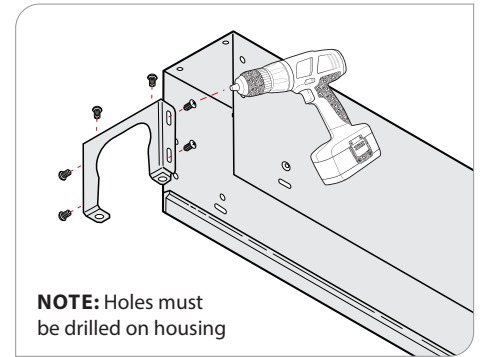
4. Cut and discard Filler Housing.



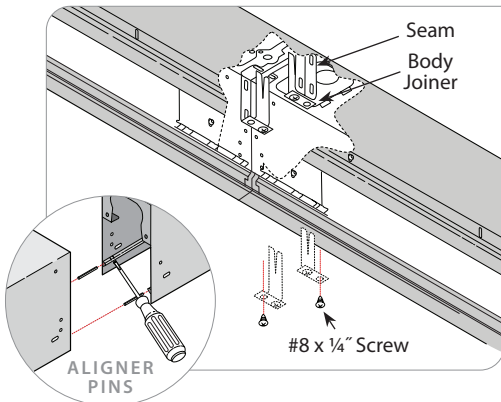
5. Cut and discard reflector.



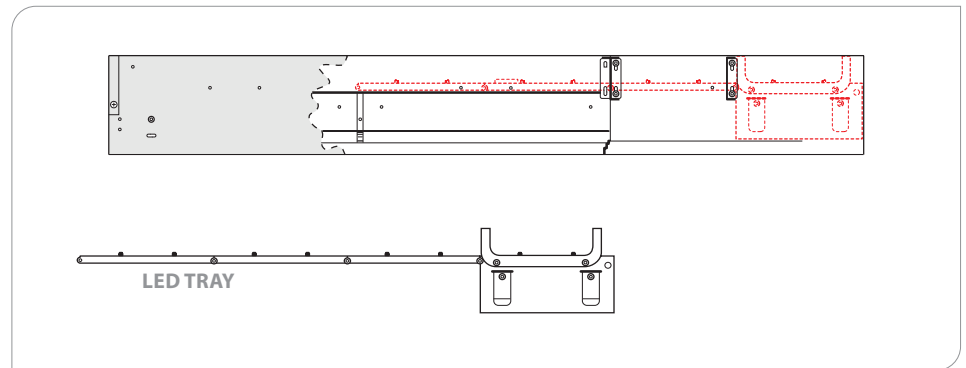
6. Drill and attach end plate.



7. Join housings.

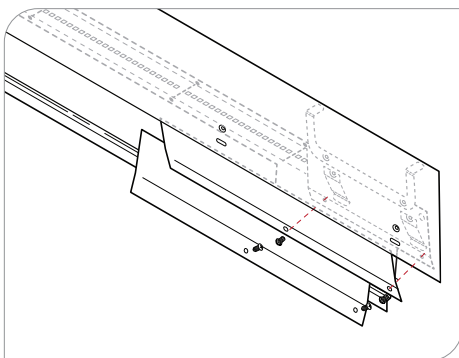


8. Install filler.



NOTE: Do not cut or remove any section of LED tray as it will cause uneven lights levels in the filler kit. All sections of the LED tray should be rolled under the led reflector in the previous fixture housing.

9. Install Reflectors.



WARNING: Ground fixture in accordance with local and national electrical codes. Failure to do so may result in serious personal injury.