

# MicroWash™ | Asymmetric Wall Wash

## Integral & Remote Driver

### INSTALLATION INSTRUCTIONS



PRUDENTIAL LTG.

PRULITE.COM 213.746.0360

### GENERAL INSTALLATION

1. MWR ONLY: See remote driver box installation sheet for how to install remote drivers.
2. See row diagram or prudential lighting plan layout (if provided). Begin all row mounting from left to right (see arrows).
3. Depending upon ceiling or wall construction reinforcement may be required at mounting locations.
4. Continuous row: install one fixture section at a time.
5. After adjusting beam angle, lock fixtures into place with 2x set screws on light engine.

#### ROW DIAGRAM

**WALL / SURFACE** ----->

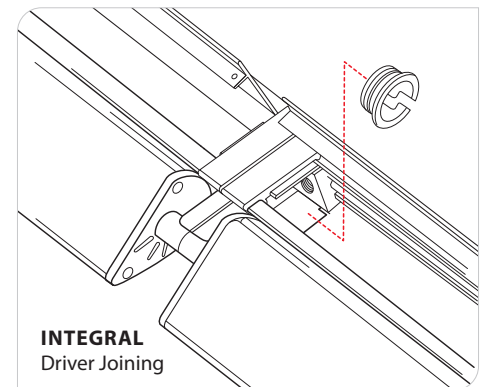
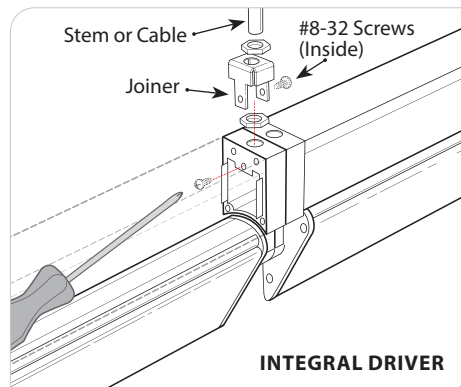
**STEM / CABLE** ----->

	Mounting Holes		Actual Fixture Length
	X	Y	
1'	13¼"	13⅝"	14"
2'	23¾"	24⅞"	24½"
3'	35¼"	35⅝"	36"
4'	47¼"	47⅝"	48"
5'	58¼"	58⅝"	60"
6'	71¼"	71⅝"	72"
7'	83¼"	83⅝"	84"
8'	95¼"	95⅝"	96"

### JOINING DETAIL

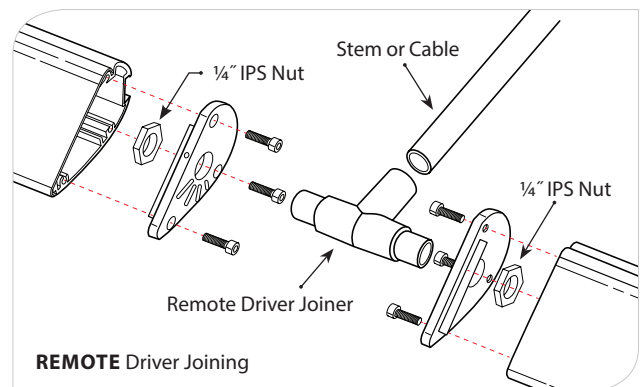
#### INTEGRAL DRIVER:

1. Mount first fixture in row.
2. Pry open covers of fixtures to join.
3. Install ⅞" bushing.
4. Run wires through bushing.
5. Stem and cable mount only: Attach joiner with #8-32 screws and 2 x ¼" IPS nuts.
6. Close fixture covers.



#### REMOTE DRIVER:

1. Refer to remote driver box installation instructions to mount remote driver box.
2. Remove end plates from fixtures with 7/64" hex bit.
3. Install remote driver arms with ¼" IPS nuts.
4. Run low voltage cable at feed locations through arms and stems or from back of fixture to remote driver box.
5. Reinstall end plates on fixtures.
6. Hang fixtures according to stem, cable or wall arm instructions.



**WARNING:** Ground fixture in accordance with local and national electrical codes. Failure to do so may result in serious personal injury. Fixture Installations should ONLY be done by a qualified licensed electrical professional.

# MicroWash™ | Asymmetric Wall Wash

## Integral & Remote Driver

### INSTALLATION INSTRUCTIONS



PRUDENTIAL LTG.

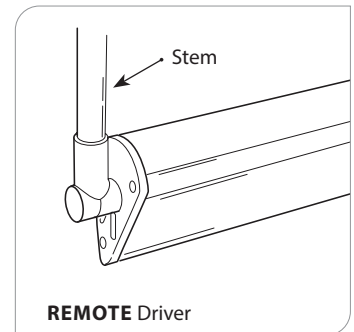
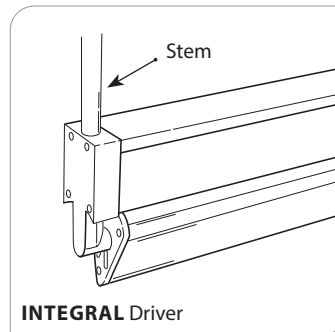
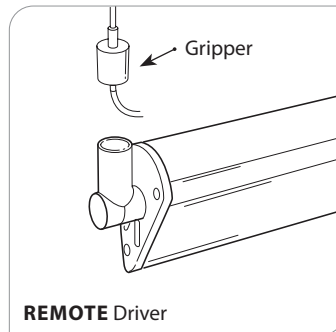
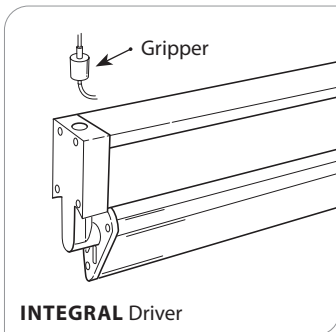
PRULITE.COM 213.746.0360

#### CABLE MOUNTING

1. Follow joining detail instructions where fixtures are joined.
2. Screw gripper into fixture arms, endcaps or stem joiners.
3. Insert end of aircraft cable into gripper at least 1 inch. If needed, bend aircraft cable into a curve before inserting.
4. Follow standard cable mounting directions to attach fixtures to ceiling and level rows.
5. Integral driver: feed cord into fixture and splice wires in driver compartment.

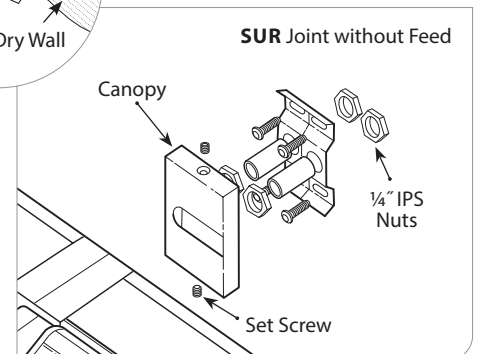
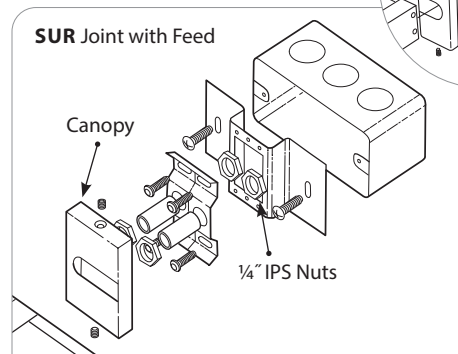
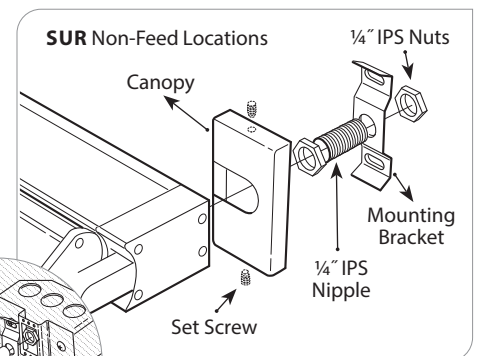
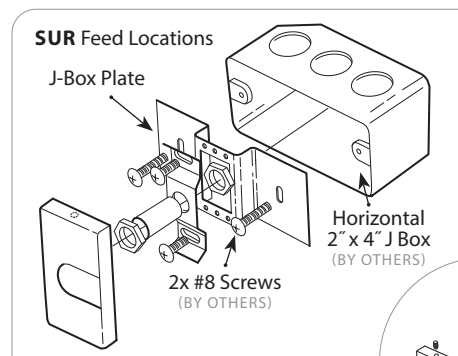
#### STEM MOUNTING

1. Follow joining detail instructions where fixtures are joined.
2. Screw stem into end caps, arms or stem joiners of fixture.
3. Run wires from ceiling/wall/remote driver box through stem into fixture.
4. Integral driver: splice wires in driver compartment and close driver compartment.
5. Follow standard stem mounting directions to attach fixtures to ceiling.



#### SURFACE MOUNTING

1. Attach mounting brackets to end of ¼ IPS nipples with 2 x nuts and tighten with wrenches. 1" nipples provided, contact factory for 2" nipples.
2. Open fixture covers and run wires from wall or ceiling through ¼ IPS nipple at feed locations.
3. Splice wire connections in driver compartment and close fixture.
4. Screw ¼ IPS nipples into fixture end caps at least ½", leaving enough threads loose to fit canopy.
5. Attach J-box plate to J-box and mounting bracket to J-box plate (at feed location) or mounting bracket to structure (at non feed locations) with screws (by others) J-box plate to be installed behind drywall.
6. Slide canopies onto mounting points, secure with set screws and bend down canopy side wall.



**WARNING:** Ground fixture in accordance with local and national electrical codes. Failure to do so may result in serious personal injury. Fixture Installations should ONLY be done by a qualified licensed electrical professional.

# MicroWash™ | Asymmetric Wall Wash

## Integral & Remote Driver

### INSTALLATION INSTRUCTIONS

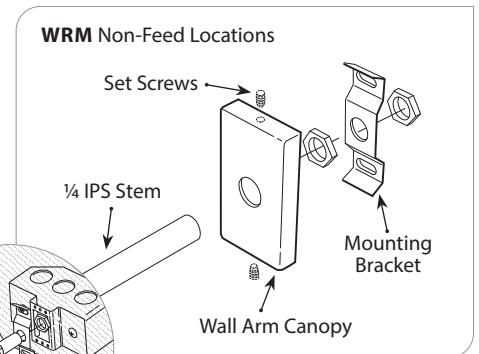
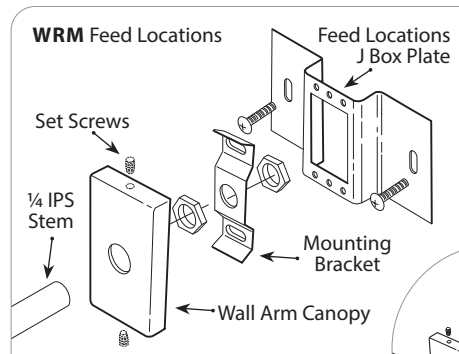
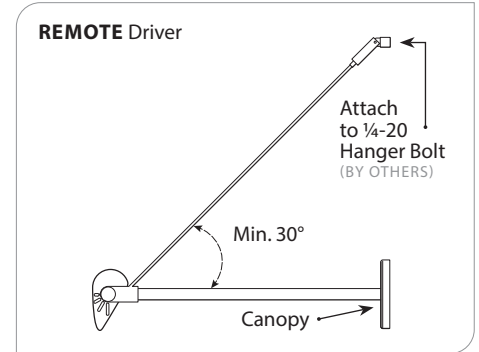
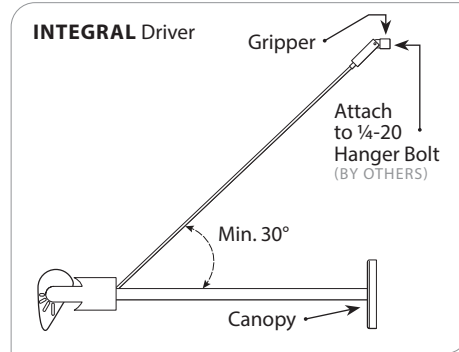


PRUDENTIAL LTG.

PRULITE.COM 213.746.0360

#### WALL ARM MOUNTING

1. Attach mounting brackets to wall side of stems with 2x nuts and tighten with wrenches. Slide canopy onto stem.
2. After detaching cable gripper, insert pier mount aircraft cable through fixture stems with crimped side in the stems.
3. Follow stem mount directions to attach stems and wire fixtures. Attach mounting brackets to wall (non feed locations) or J Box plate (at feed locations) with #8 screws by others and mud over J box plates. Secure canopies with set screws. J Box Plate to be installed behind drywall.
4. Attach cable gripper to wall with hanger bolt or toggle bolt (by others).
5. Pull aircraft cable through gripper and trim excess length.



**WARNING:** Ground fixture in accordance with local and national electrical codes. Failure to do so may result in serious personal injury. Fixture Installations should ONLY be done by a qualified licensed electrical professional.

# MicroWash™ | Asymmetric Wall Wash

## Integral & Remote Driver

### INSTALLATION INSTRUCTIONS



PRUDENTIAL LTG.

PRULITE.COM 213.746.0360

### SURFACE MOUNT WITH T-BAR

A t-grid fan fixture mount is required at each mounting location.

1. Install surface mount plaster plate onto t-grid fan fixture mount (by others). (See figure 1).
2. Install t-grid fan fixture mount onto t-bar (See mounting hole locations on page 1).
3. Install mounting bracket ¼" IPS nipple and ¼" IPS nuts onto each end of the housing (Figures 3 & 4).
4. Open fixture covers and run wires from ceiling through IPS nipples at feed locations. Cut 3" x 1 ½" opening in ceiling tile (Figure 5).

INSTALLATION	QTY. OF FAN FIXTURE MOUNTS
Individual	2
Row	Number of fixtures + 1

**ROW EXAMPLE:** 40' row → 5 x 8' fixtures requires 6 fan fixture mounts

**CENTER-TO-CENTER DIMENSIONS:**

**FIGURE 1:**

Surface mount plaster plate  
10-24 x 3" screws (BY OTHERS)

**FIGURE 2:**

T-grid fan fixture mount (BY OTHERS)

**AT EACH MOUNTING LOCATION**

**Use center holes for:**

- Each end of an individual fixture
- Start of row
- End of row

**Use outside holes for:**

- Intermediate row mounting

**FIGURE 3:**

¼" IP Nut  
Mounting Bracket  
¼" IPS x 1" Nipple

**FIGURE 4:**

1 1/16" ± 1/16"  
1 1/4" ± 1/16"

**WARNING:** Ground fixture in accordance with local and national electrical codes. Failure to do so may result in serious personal injury. Fixture Installations should ONLY be done by a qualified licensed electrical professional.

# MicroWash™ | Asymmetric Wall Wash

Integral & Remote Driver

INSTALLATION INSTRUCTIONS



PRUDENTIAL LTG.

PRULITE.COM 213.746.0360

FIGURE 5:

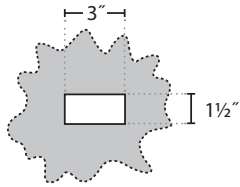


FIGURE 6:

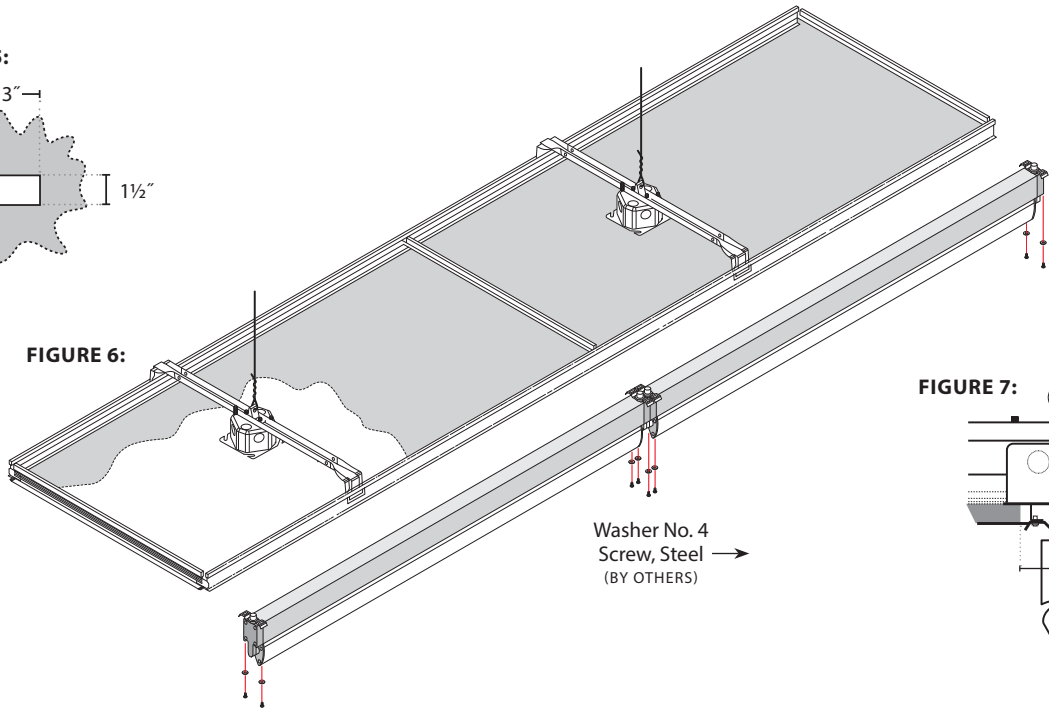


FIGURE 7:

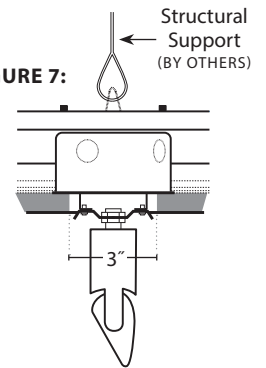


FIGURE 8:

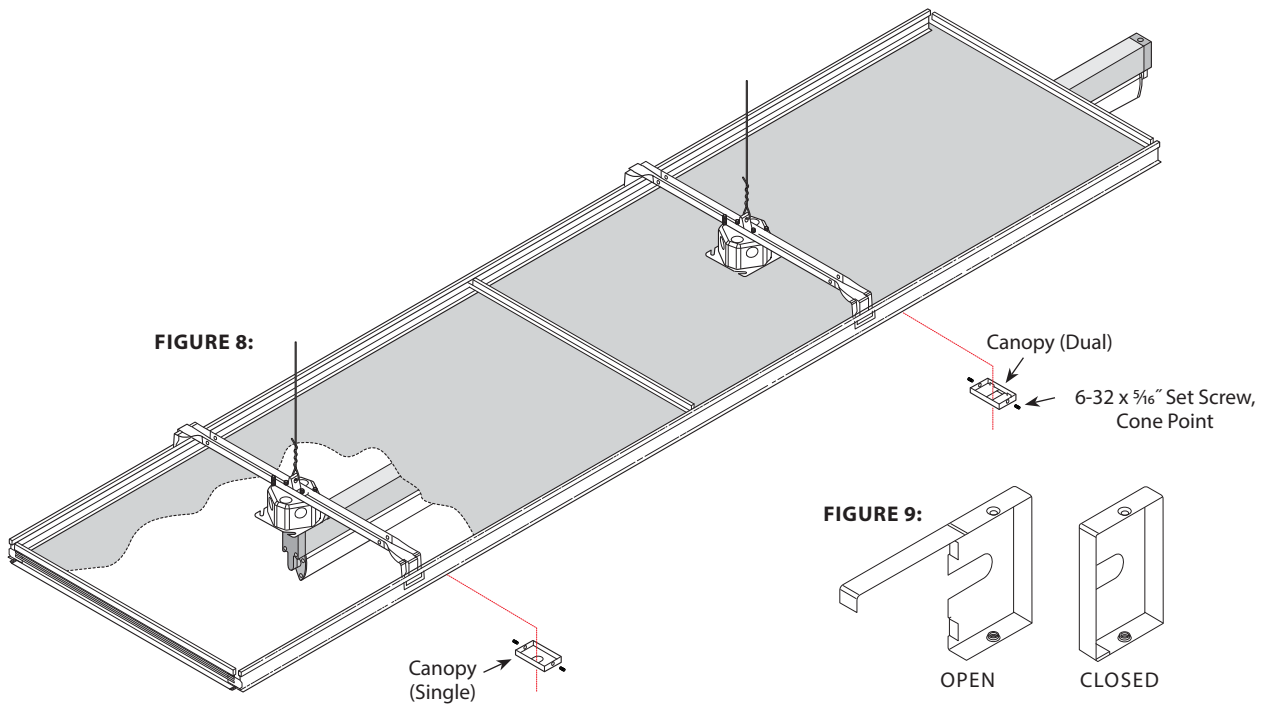
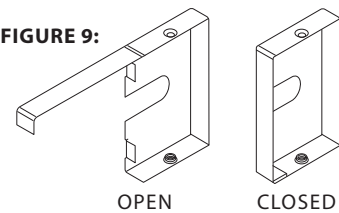


FIGURE 9:



**WARNING:** Ground fixture in accordance with local and national electrical codes. Failure to do so may result in serious personal injury. Fixture Installations should ONLY be done by a qualified licensed electrical professional.