



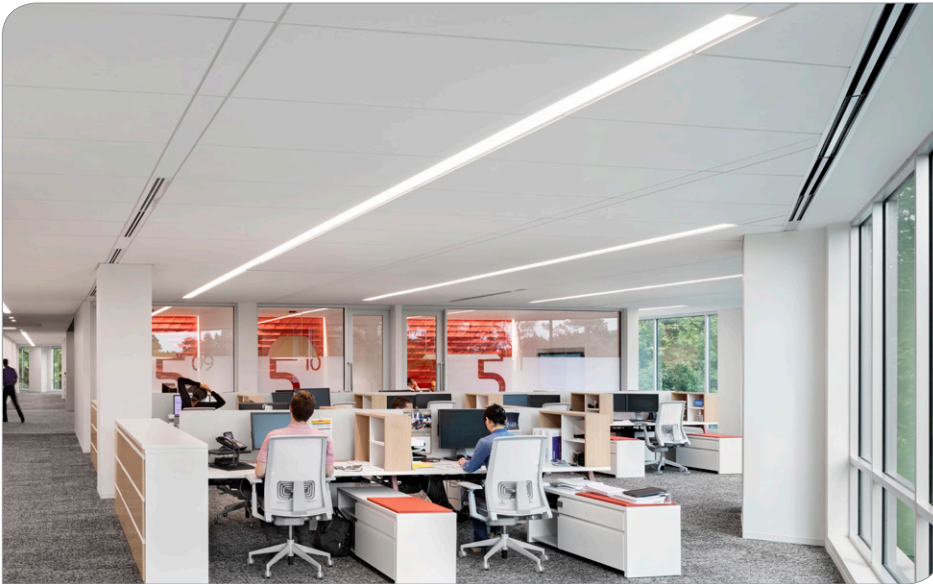
P53 | Recessed Linear

5" Slot, TechZone 6



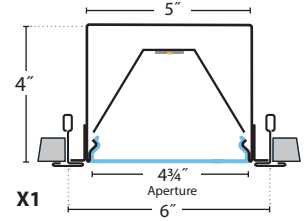
PRUDENTIAL LTG.

PRULITE.COM 213.746.0360

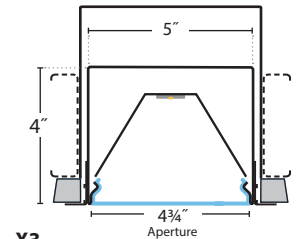


Type:

Job:



X1



X3

Fits the proportions required for large spaces.

Designed to fit the Armstrong™ TechZone 6" grid cleanly and simply. Wider aperture lens than our P43 Series to maximize light output and fill the distance between six inch T's with light, minimizing visible trim. See our P33 for TechZone 4" system.

P53-LED35-SO-SAL-D1
 3482 Delivered Lumens
 39 Watts
 89 lm/w
 3500 CCT

UP TO **93** LM/W

	LO	MO	SO	HO
lm/ft	415	630	875	1000
w/ft	4.5	7	10	12

[CLICK HERE](#)

Lumen output may vary +/- 5%
 3500K used for lm/ft estimates above
 4000K +2% llf, 3000K -2%, 2700K -4%
 -10% LLF for 90 CRI (4K, 3500K and 3K)
See LED Details PDF for more info

TechZone6



SE-RIES	LED COLOR	OUTPUT	NOMINAL LENGTH	TRIM COLOR	SHIELD-ING	DISTRI-BUTION	CIRCUIT-ING	VOLT-AGE	CEILING SYSTEM	DRIVERS	OPTIONS & SENSORS
P53	LED27 2700K (90CRI) LED3 3000K LED35 3500K LED4 4000K LED3-90 90CRI LED35-90 90CRI LED4-90 90CRI	LO Low MO Medium SO Standard HO High PROG Program-mable Light Output (Specify desired lm/ft or w/ft)	2' 3' 4' 5' 6' 8' R____ (Row length) NOTE: Individual not intended for row mounting	TMW Textured Matte White (Standard) YGW Gloss White Y____ Premium Color CC Custom Color	OPL Opal Frost Lens SAL Satin Acrylic Lens	D1 Direct	SC Single Circuit	UNV (120-277) 347 (Emergency battery requires a Step Down transformer)	X1 T-Bar 1 3/16" Exposed X1M T-Bar 1/16" Exposed X2 Dimensional T-Bar Armstrong Interlude® X6 Slot Grid X3B Hard Ceiling Flange Trim (Overhead mounting brackets) X7 Hard Ceiling (Trimless mud-over concealed flange)	ND Non-Dimming DM10 0-10v, 10% Dimming (Standard) DM01 0-10v, 1% Dimming STEP Step Dimming, 100-50-Off, Osram NOTE: Lumens and watts per foot may differ for STEP drivers, consult factory LDE*5 5-Series EcoSystem LED LDE1* Hi-Lume 1% EcoSystem LED (Soft fade on, fade-to-black dimming) LTE* Hi-Lume 1% 2-Wire LED Driver (120V forward phase only) * Lutron NA HO ECO 1% 0-10v, EldoLED (Logarithmic dimming std) ECDA 1% DALI, EldoLED (Logarithmic dimming std) SOLO 0.1% 0-10v, EldoLED (Dim-to-dark, Logarithmic dimming std) SODA 0.1% DALI, EldoLED (Dim-to-dark, Logarithmic dimming std)	EML* Emergency Battery, Low (850 delivered lumens) EMH* Emergency Battery, High (1175 delivered lumens) PRUBIN Meticulous Binning and Labeling every LED Board within a 2-Step Mac-Adams Ellipse *4' or longer SENSORS: 205 WattStop PIR Occupancy 205-STEP: Dim to 50% 205-DM: Dim to 10% / 1% LUX Phillips DLH ENL Enlighted 2-Wire DLH & Environmental



Prudential Ltg. reserves the right to change design specifications or materials without notice. Please visit prulite.com for most current data.
 © 2014 All rights reserved - All products manufactured at: Prudential Ltg. 1774 E. 21st Street, Los Angeles, CA 90058

Recessed Linear

1

07-25-2019



P53 | Recessed Linear

5" Slot, TechZone 6



PRUDENTIAL LTG.

PRULITE.COM 213.746.0360

SAL-D1 GLOW

Standard Output:

P53-LED35-SO-04-SAL-D1

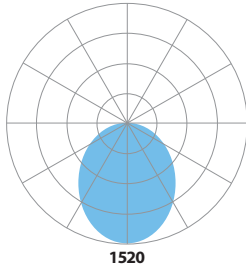
3482 Delivered Lumens

39 Watts

89 lm/w

3500 CCT

Test #102525478LAX-001



Zonal Lumen Summary:

0-90 = 100%

1520

Vertical Angle	0	22.5	45	67.5	90
0	1520	1520	1520	1520	1520
5	1509	1509	1509	1509	1509
10	1473	1473	1473	1473	1473
15	1415	1415	1415	1415	1415
20	1338	1338	1338	1338	1338
25	1243	1243	1243	1243	1243
30	1137	1137	1137	1137	1137
35	1025	1025	1025	1025	1025
40	907	907	907	907	907
45	789	789	789	789	789
50	675	675	675	675	675
55	566	566	566	566	566
60	462	462	462	462	462
65	363	363	363	363	363
70	271	271	271	271	271
75	186	186	186	186	186
80	110	110	110	110	110
85	48	48	48	48	48
90	4	4	4	4	4

LUMEN MAINTENANCE

Designed to last with cool running mid-power LEDs projected to maintain 90% (L90) of their initial output for 100,000 hours (at HO), and L70 exceeding 150,000 hours.

LED SYSTEM

LED modules and drivers are field replaceable.

PROG

(OPTIONAL)

Programmable light output. Specify desired lumens or watts per linear foot. Min: 2.5 w/ft, consult factory for requests above 12 w/ft.

BINNING

Standard binning (all Prudential LED boards) includes testing at the chip level and board integration to provide consistent color temperature within a 3-step MacAdams ellipse, with +/- 5% lumen output range and +/- .004 Duv.

PRUBIN™

(OPTIONAL)

Prudential Ltg's exclusive 'job binning' method that ensures color temperature consistency across all luminaires on a project. Meticulously testing and labeling EVERY LED BOARD to +/- 25 lumens, +/- 50k CCT and +/- .004 Duv — while also separating positive from negative — allows us to match color, hue and intensity throughout a project and provides a consistent color temperature within a 2-step MacAdams ellipse.

LABELS

ETL damp labeled and I.B.E.W. manufactured.

ELECTRICAL

Must specify LED dimming controls. LED fixtures have constant current driver(s) with less than 20% THD when loaded to a minimum of 60%. Drivers sink a maximum of 6mA per driver. DM10 LED drivers are 0-10V dimmable and are compatible with most 0-10V wall slide dimmers and direct 0-10V analog signal dimmers.

CONSTRUCTION

Housing	20-gauge steel, >20% PC recycled, 100% recyclable
Lens	Acrylic, 100% recyclable
X1, X2, X6 Trim	Steel
X3, X7 Trim	Extruded aluminum

MOUNTING

Recessed into drywall or T-bar ceilings

WARRANTY

Single-source, 5 year limited warranty covers standard components and construction.





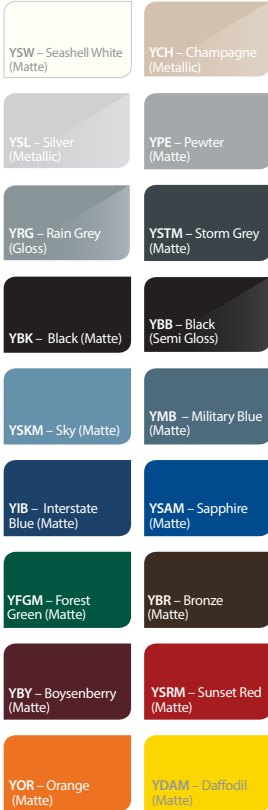
P53 | Recessed Linear

5" Slot, TechZone 6

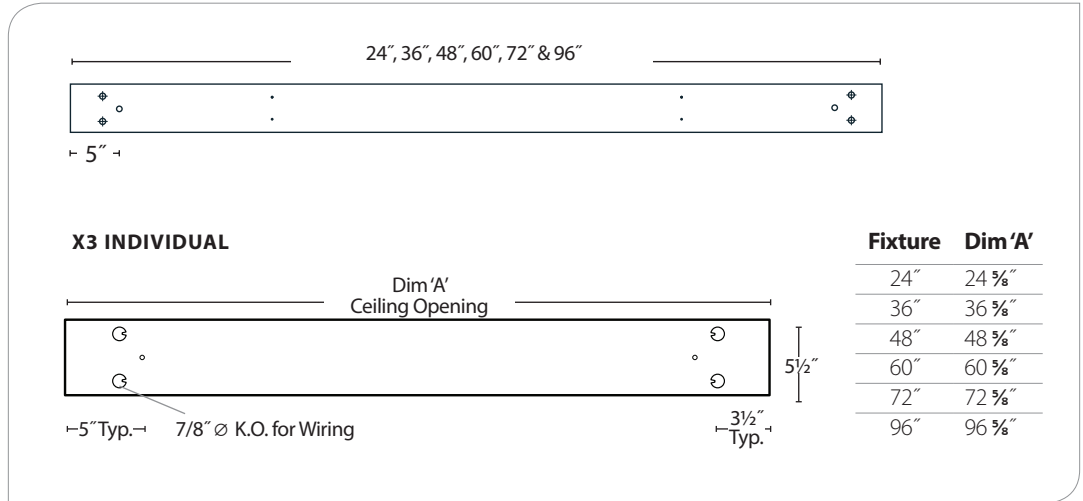


PRUDENTIAL LTG.

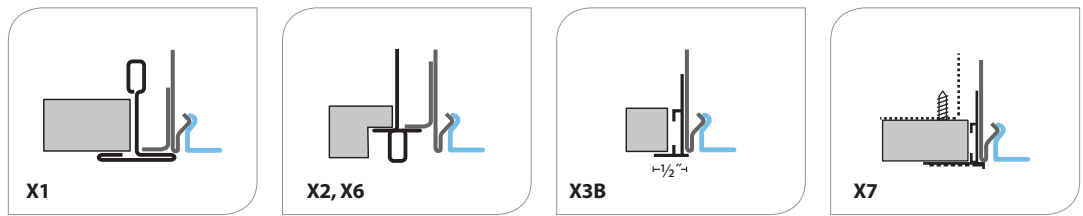
PRULITE.COM 213.746.0360



MOUNTING LOCATIONS



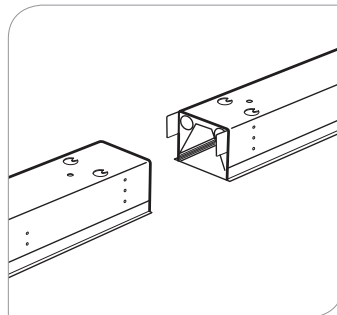
MOUNTING OPTIONS



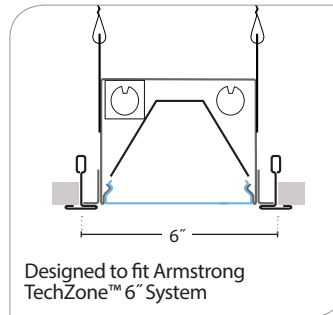
Choose from one of our Premium Colors with no set-up fee.

For paint chip samples, please email: info@prulite.com

ADJOINING DETAILS



ARMSTRONG TECHZONE™ SYSTEM



CONTROL SENSORS

