

P4000 | Pendant & Surface Semi-Recessed

INSTALLATION INSTRUCTIONS

X1 (T-BAR)



PRUDENTIAL LTG.

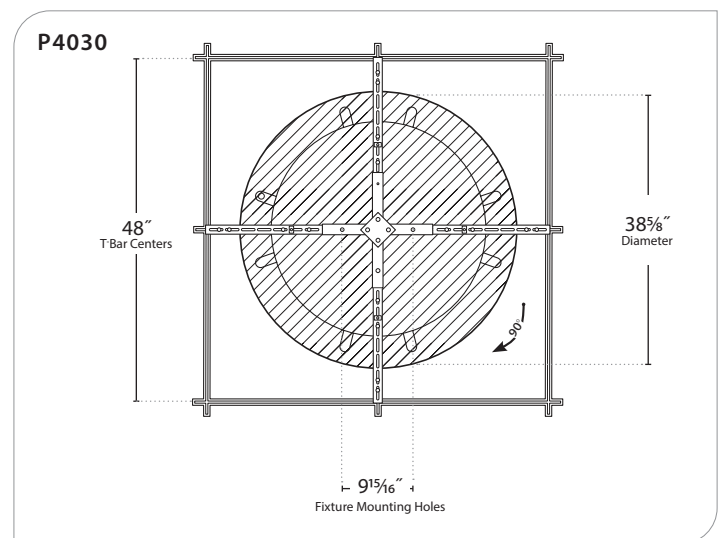
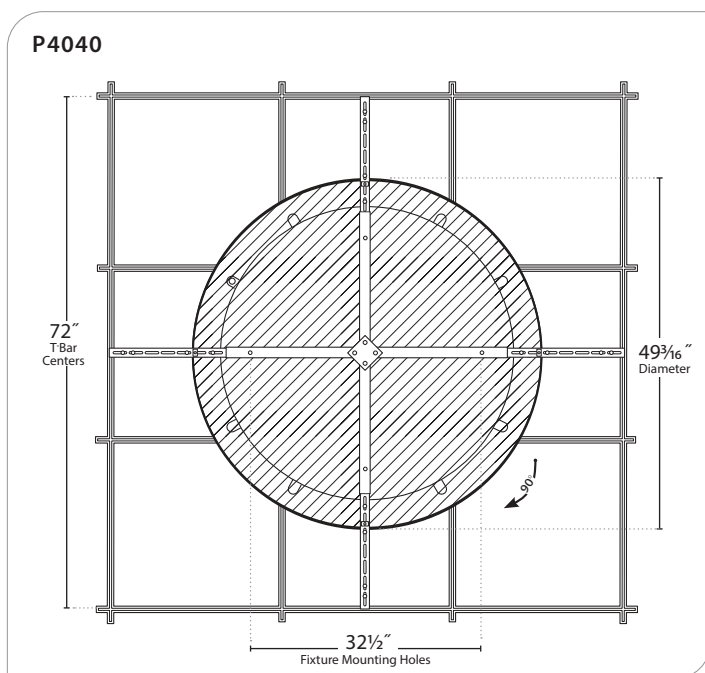
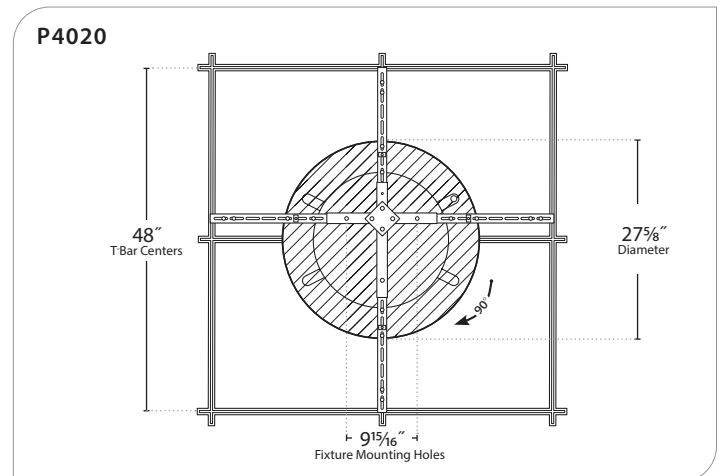
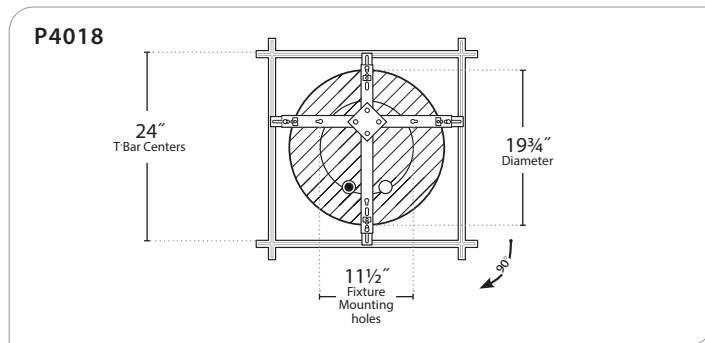
PRULITE.COM 213.746.0360

PARTS LIST

VARIABLE	Top Over Head Support Bracket	1	100-00037-14	#6 x 3/8" Hex HD. Self Drill Tek. Screw	4
872070	P4000-SMR Over Head Joiner Bracket	1	VARIABLE	P4000-SMR Trim Ring Assembly	1
VARIABLE	Bottom Over Head Bracket	1	100-00034-14	1/4-20 x 2 1/2" RD. HD. MS. Screw	4
91562	P4000-SMR Mounting Bracket Extension	4	100-00141-14	#8 x 1/4" HWH SLT-SMS Type B Screw	10
79741	P4000-SMR 4" Angled Leg	4	100-00255-14	1/4-20 Keps Hex Nut	28
100150	P4000-SMR Adjustable Clamp	4	100-00114-14	1/4-20 x 3/4" Truss HD. Machine Screw	28
100149	P4000-SMR T-Bar Outer Clamp	4	104102	P400-SMR Grid Connector	4
100-00230-14	1/4-20 x 3 1/2" RD. HD. MS. Screw (Non-tilt)	4	100-00012-14	1/4-20 Speed Nut	4
100-00283-14	1/4-20 x 5" RD. HD. MS. Screw (Tilt)	4	VARIABLE	P4000-SMR Top Cover Plate	4

Lens Removal Tool

HARD CEILING FRAME



WARNING: Ground fixture in accordance with local and national electrical codes. Failure to do so may result in serious personal injury. Fixture Installations should ONLY be done by a qualified licensed electrical professional.

P4000 | Pendant & Surface Semi-Recessed

INSTALLATION INSTRUCTIONS

X1 (T-BAR)

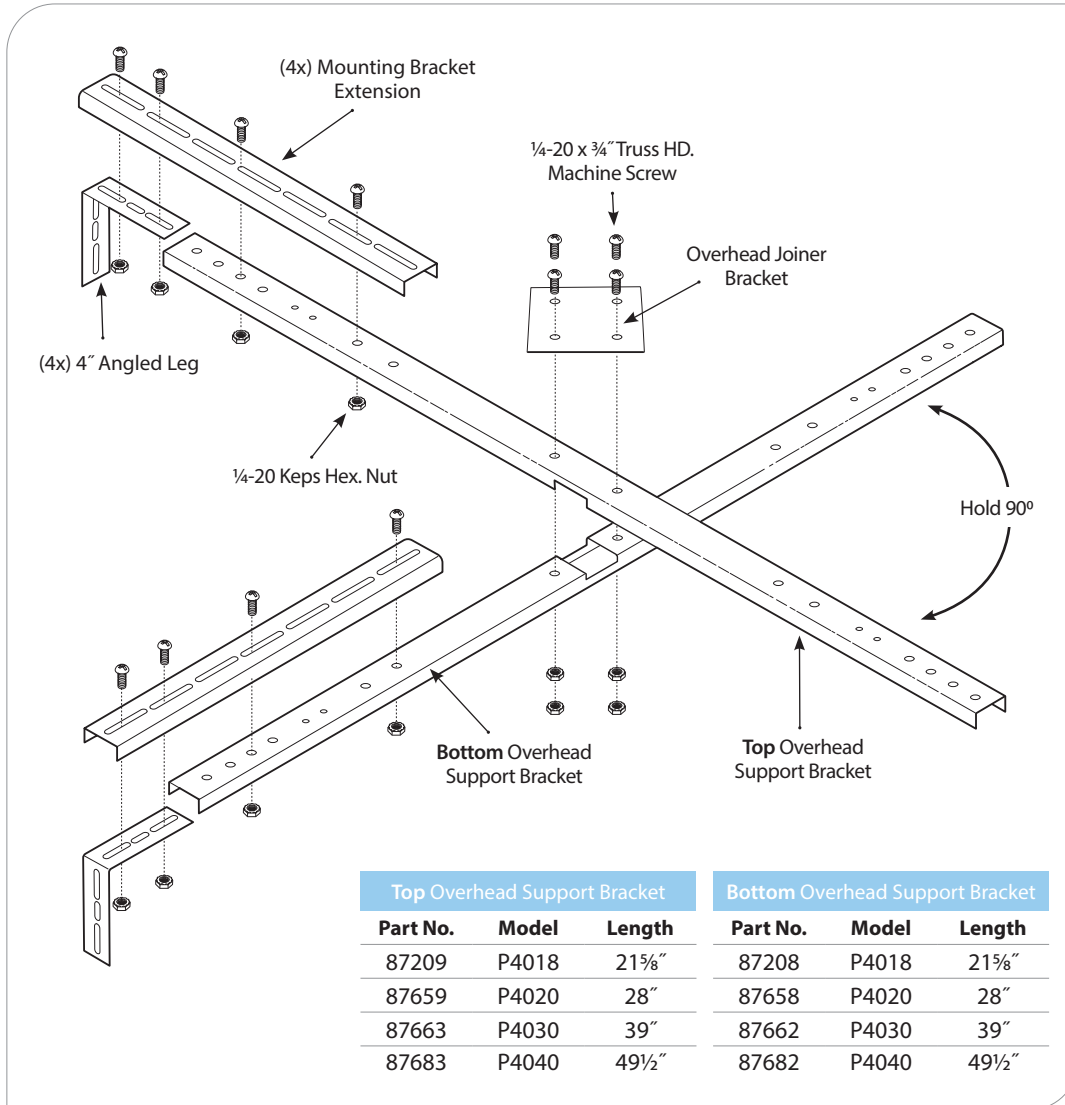


PRUDENTIAL LTG.

PRULITE.COM 213.746.0360

OVERHEAD SUPPORT BRACKETS

1. Assemble top overhead bracket with bottom overhead bracket.
Be sure parts are secured at 90° right angle for proper alignment with trim ring and holes.
2. Connect 4" angled legs to each end of mounting bracket assembly.
Be sure trim ring mounting holes are unobstructed.

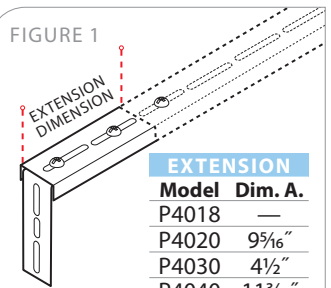


CONNECTING EXTENSION BRACKET & 4" ANGLED LEG

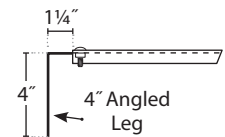
3. To complete pre-assembly of overhead support brackets, see detail dimension required for each diameters configuration with t-bar ceiling sizes shown on page 1.

NOTE: Part number 91562 — Mounting bracket extension not require on P4018 on 2' x 2' grid installation.

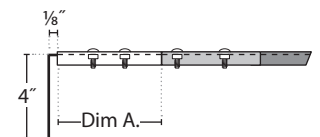
FIGURE 1



BRACKETS



Model	T-Bar Centers
P4018	2'



Model	T-Bar Centers
P4018	2', 4'
P4020	4'
P4030	4'
P4040	6'

WARNING: Ground fixture in accordance with local and national electrical codes. Failure to do so may result in serious personal injury. Fixture Installations should ONLY be done by a qualified licensed electrical professional.



X1 (T-BAR)

OVERHEAD MOUNTING BRACKET ASSEMBLY

1. Fasten overhead mounting bracket to t-bar with adjustable and t-bar outer clamp.
2. Secure clamps to t-bar with #6 x 3/8" self drilling screw (see figure 2).

NOTE: See dimension B for clearance required from bottom of ceiling surface to bottom of SMR overhead mounting bracket assembly.

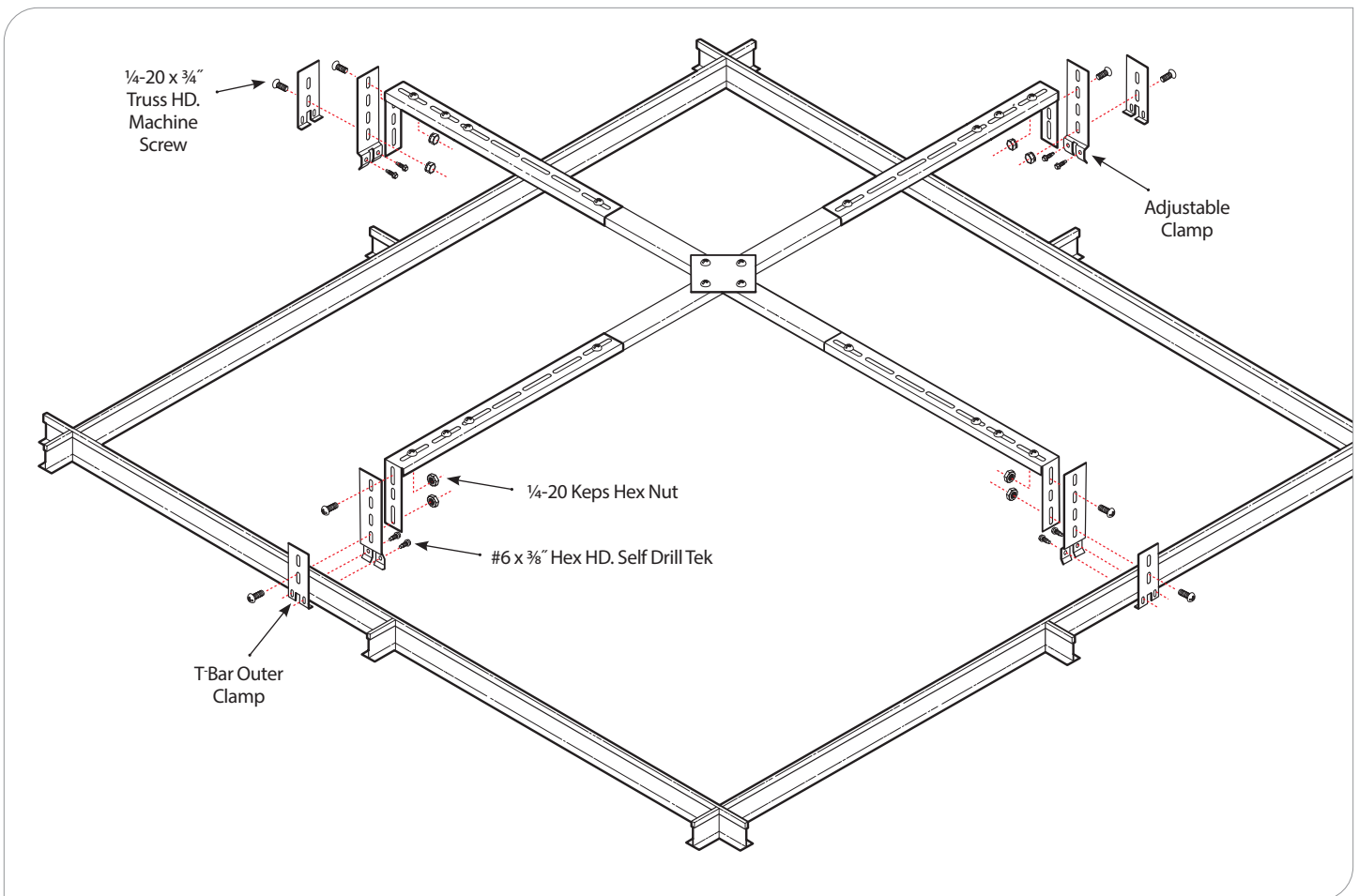
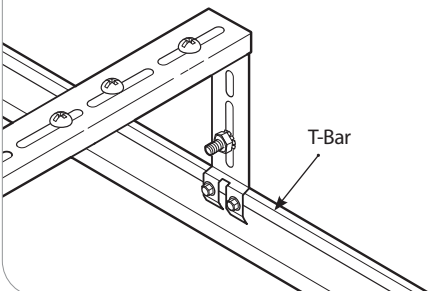
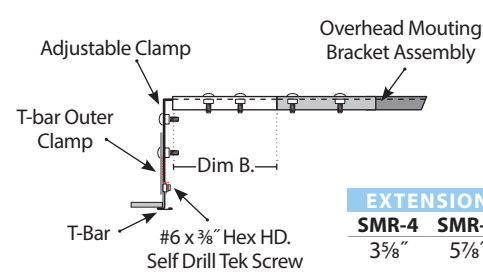


FIGURE 2



TRIM RING ASSEMBLY CLEARANCE



WARNING: Ground fixture in accordance with local and national electrical codes. Failure to do so may result in serious personal injury. Fixture Installations should ONLY be done by a qualified licensed electrical professional.

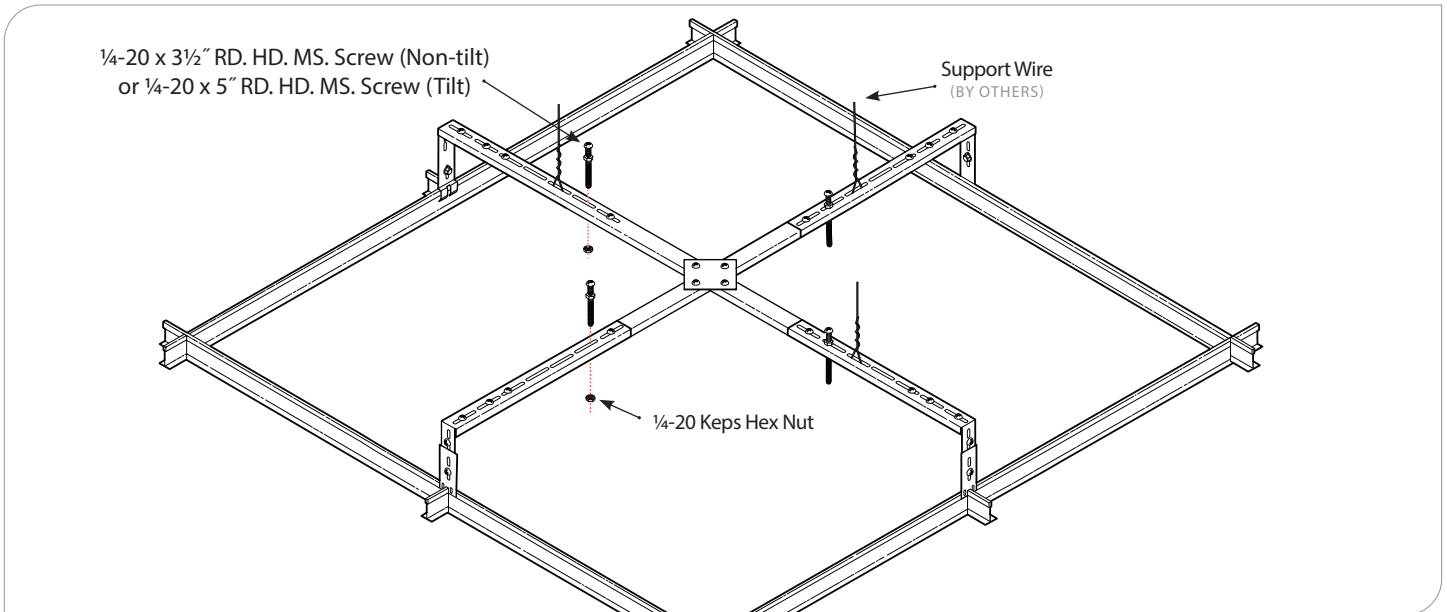
X1 (T-BAR)



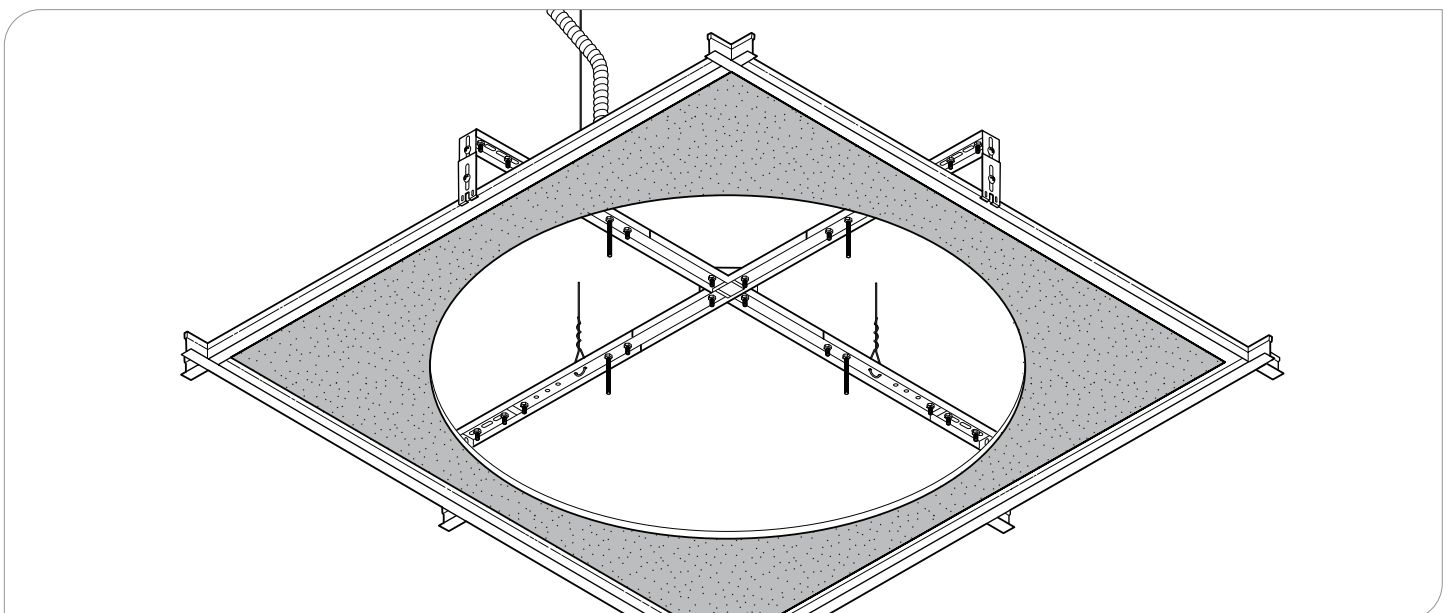
INSTALL FIXTURE MOUNTING SCREWS

NOTE: See page 1 for specific mounting hole dimensions.

1. Locate matching hole pattern on support bracket assembly.
2. Attach 1/4-20 x 3 1/2" RD. HD. MS. Screw (non-tilt) or 1/4-20 x 5" RD. HD. MS. Screw (tilt) and 1/4-20 keps hex to brackets.
BE SURE SCREWS ARE CENTERED ON BRACKET!
3. Secure overhead bracket assembly to structure with support wire.



INSTALL CEILING TILE



WARNING: Ground fixture in accordance with local and national electrical codes. Failure to do so may result in serious personal injury.
Fixture Installations should ONLY be done by a qualified licensed electrical professional.

P4000 | Pendant & Surface Semi-Recessed

INSTALLATION INSTRUCTIONS

X1 (T-BAR)



PRUDENTIAL LTG.

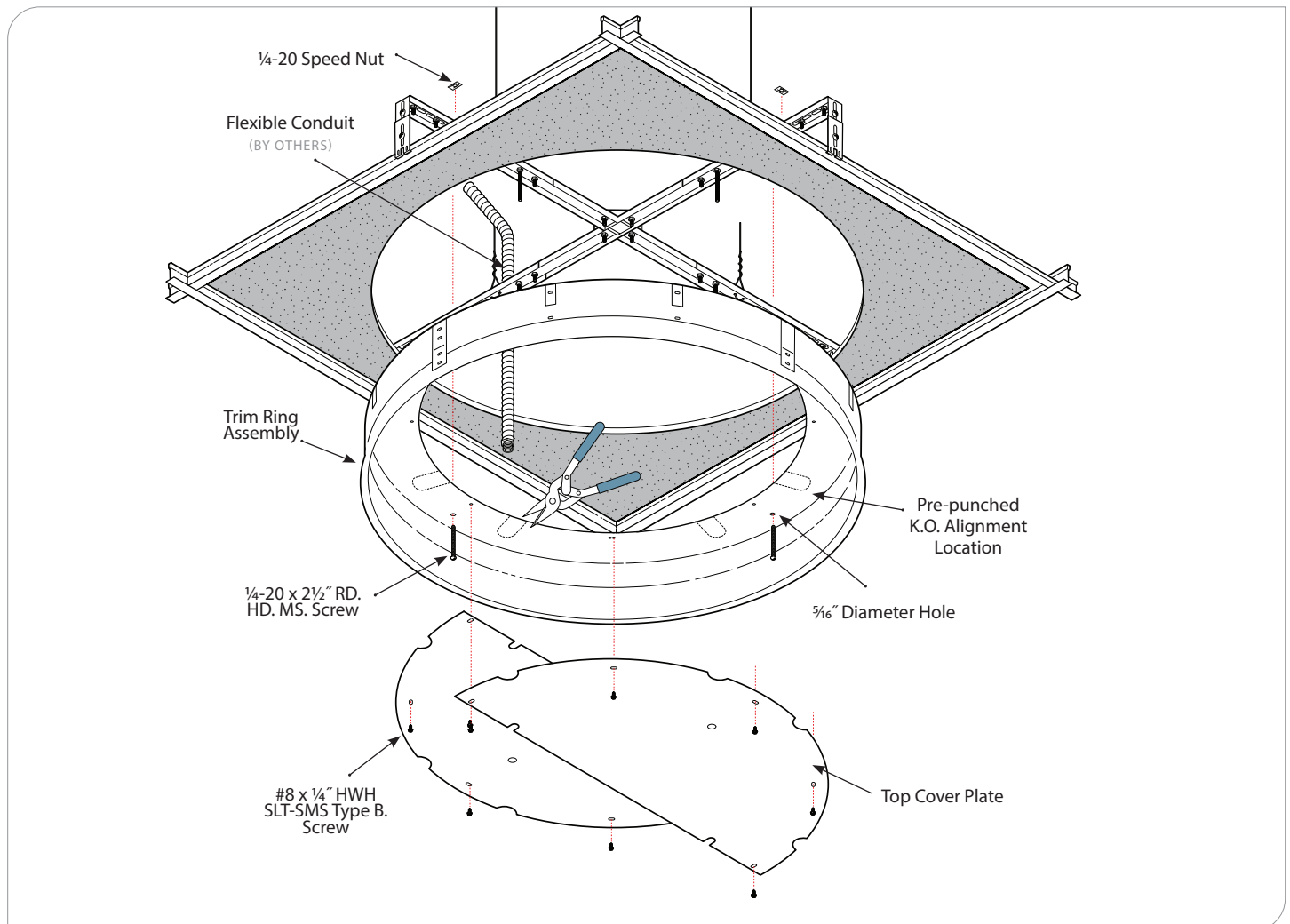
PRULITE.COM 213.746.0360

TRIM RING ASSEMBLY

NOTE:

- P4020, P4030 and P4040 require two piece cover installation.
- P4018 requires single cover install.

1. Align $\frac{5}{16}$ " diameter hole on trim ring assembly, with matching holes on mounting bracket assembly. (See page 6 for mounting dimensions).
2. Fasten in place with $\frac{1}{4}$ -20 x $2\frac{1}{2}$ " screws and $\frac{1}{4}$ -20 speed nut.
3. Check top of P4000 body assembly for power feed K.O. location.
4. Cut away pre-punched top cover area aligned with body assembly K.O. for flex conduit attachment to body assembly.
5. Install top cover plates with #8 x $\frac{1}{4}$ " SM. type B screws.



WARNING: Ground fixture in accordance with local and national electrical codes. Failure to do so may result in serious personal injury. Fixture Installations should ONLY be done by a qualified licensed electrical professional.

P4000 | Pendant & Surface Semi-Recessed

INSTALLATION INSTRUCTIONS

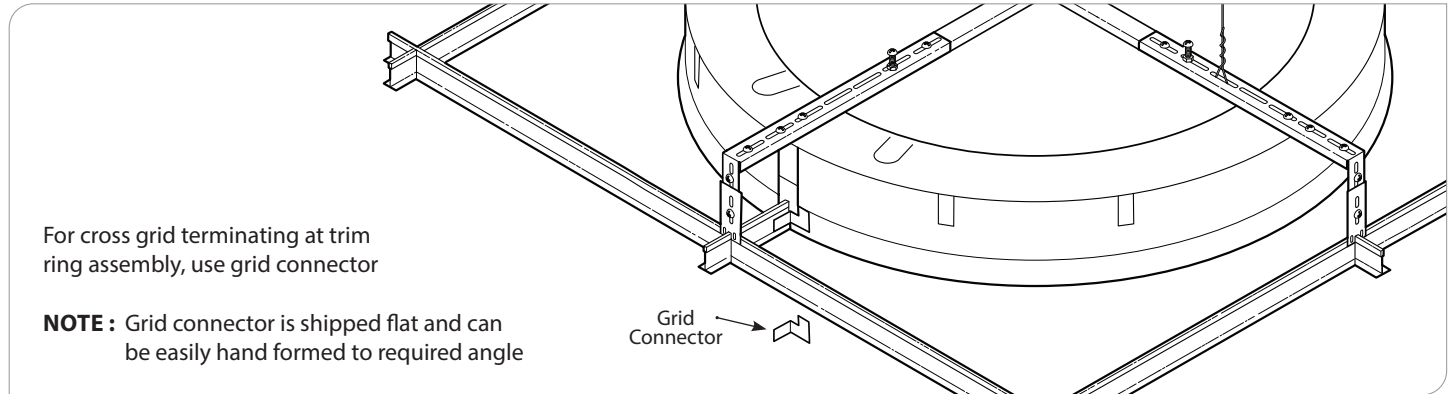
X1 (TRIM RING) BAR



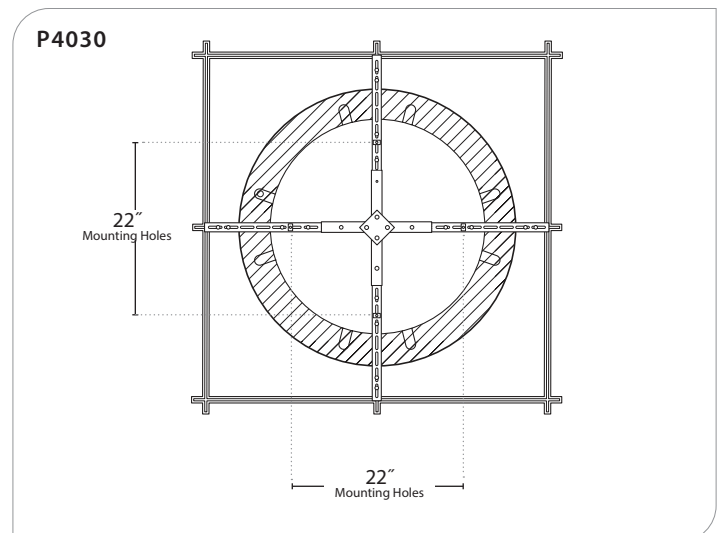
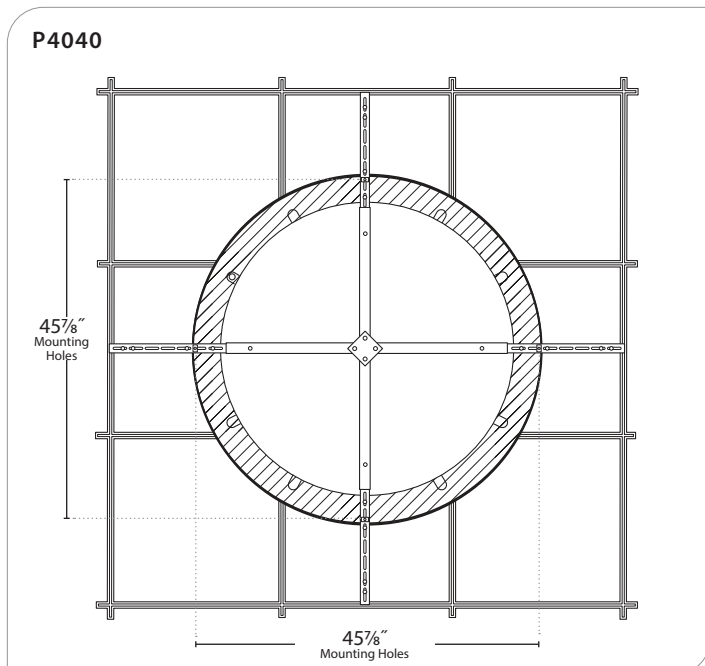
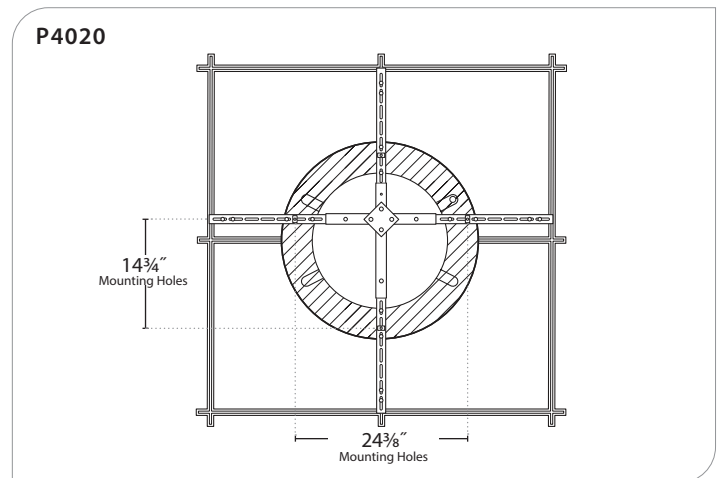
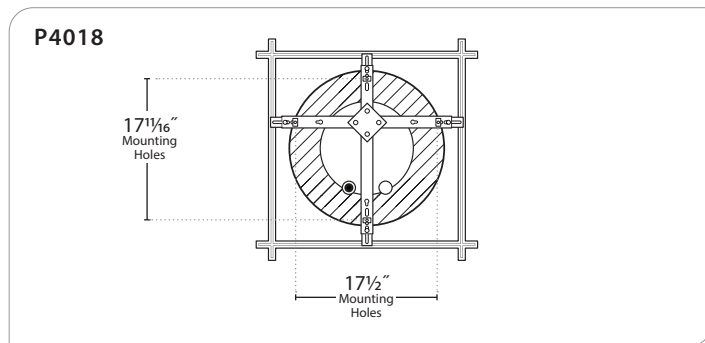
PRUDENTIAL LTG.

PRULITE.COM 213.746.0360

TRIM RING ASSEMBLY TO MOUNTING BRACKET



TRIM RING MOUNTING



WARNING: Ground fixture in accordance with local and national electrical codes. Failure to do so may result in serious personal injury. Fixture installations should ONLY be done by a qualified licensed electrical professional.

P4000 | Pendant & Surface Semi-Recessed

INSTALLATION INSTRUCTIONS

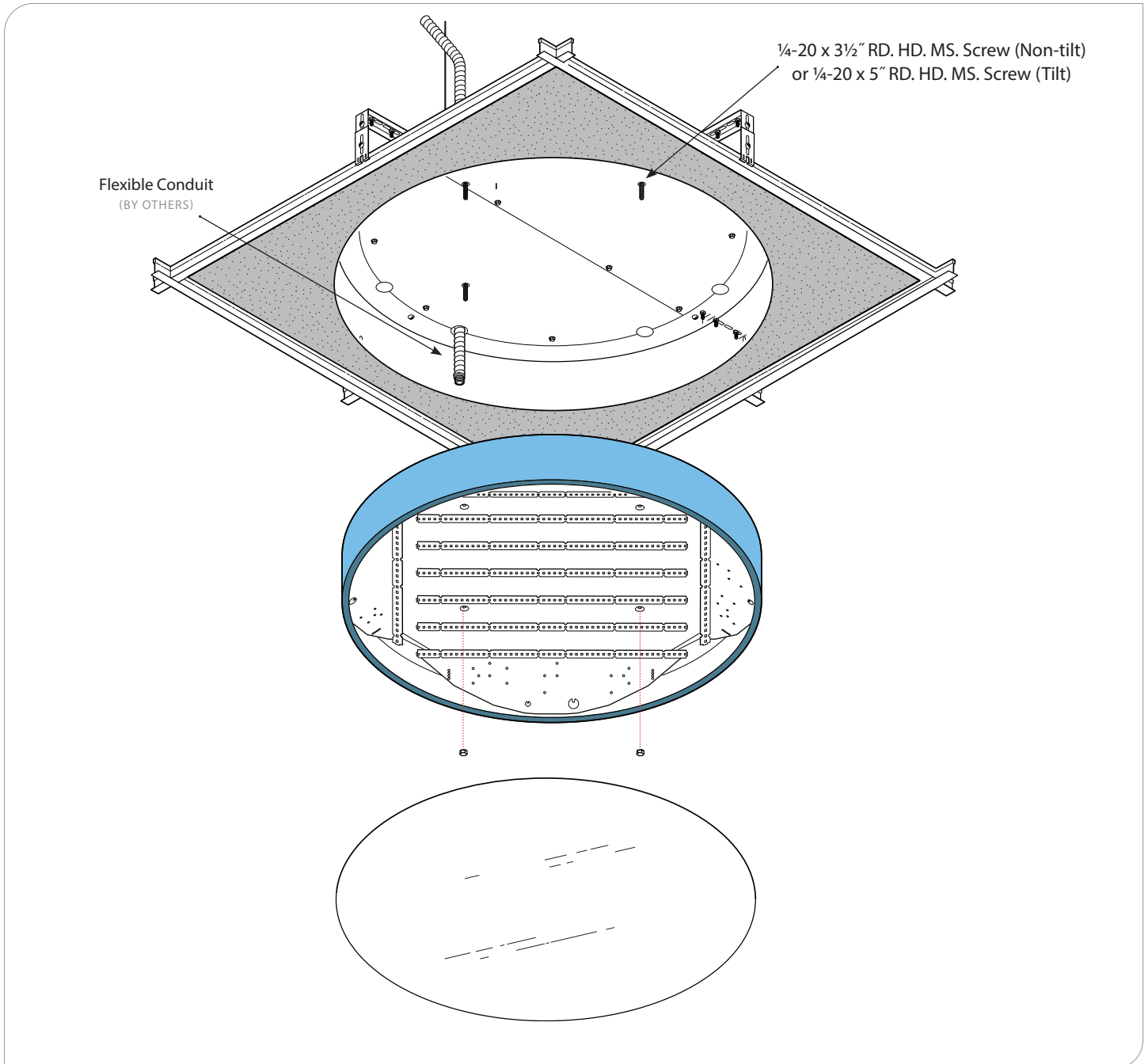
X1 (T-BAR)



PRUDENTIAL LTG.

PRULITE.COM 213.746.0360

MOUNTING BRACKET ASSEMBLY



WARNING: Ground fixture in accordance with local and national electrical codes. Failure to do so may result in serious personal injury. Fixture Installations should ONLY be done by a qualified licensed electrical professional.