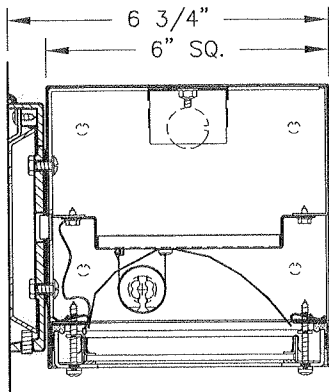


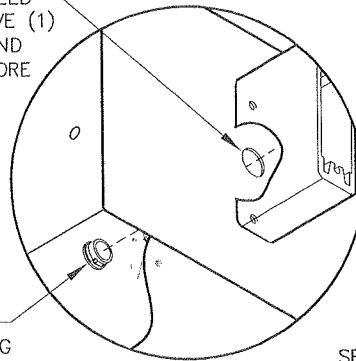
P61 WET LOCATION WS & WB INSTALLATION INSTRUCTIONS

WARNING:
GROUND FIXTURE IN ACCORDANCE WITH LOCAL AND NATIONAL ELECTRICAL
CODES. FAILURE TO DO SO MAY RESULT IN SERIOUS PERSONAL INJURY.



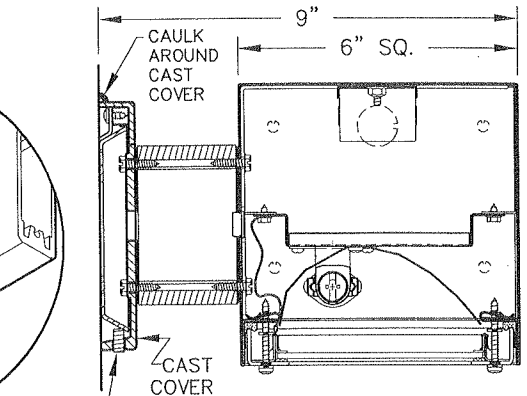
CROSS SECTION (WS)

DEPENDING ON FEED
LOCATION, REMOVE (1)
1/2" DIA. K.O. AND
INSERT (1) 1/2" CORE
WHITE BUSHING
PROVIDED



1/2" WHITE
CORE BUSHING

DETAIL A



CROSS SECTION (WB)

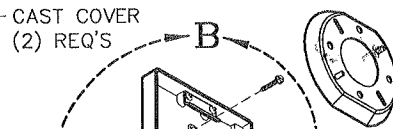
SET
SCREW

#8 X 1" SLT HEX HD. S.S
SCREW (4) REQ'D

GASKET
(2) REQ'D



WALL PLATE
(2) REQ'D



CAST COVER
(2) REQ'S

REMOVING REFLECTOR

REMOVE (2) #8 X 1/4" SCREWS AND WORK
REFLECTOR OUT OF HOUSING.

WALL BRACKET (WB) INSTALLATION

FROM KIT PROVIDED, LOOSEN SET SCREW WITH 1/8"
HEX ALLEN AND REMOVE WALL PLATE. ALIGN GASKET,
CAST COVER TO ARM HOLES AND SECURE WITH
(2) #8 X 1" SCREWS (SEE DETAIL B) REPEAT FOR
OTHER CAST COVER. FOR FEED LOCATION
(SEE DETAIL A) AND FOR WALL PLATE INSTALLATION
SEE SHEET 2, SKETCH 1.

WALL SPACER (WS) INSTALLATION

LOOSEN SET SCREW AND REMOVE WALL PLATE
REPEAT FOR OTHERS CAST COVER. FOR
FEED LOCATION (SEE DETAIL A) AND FOR WALL
PLATE INSTALLATION SEE SHEET 2, SKETCH 1.

DOOR FRAME ASSEMBLY

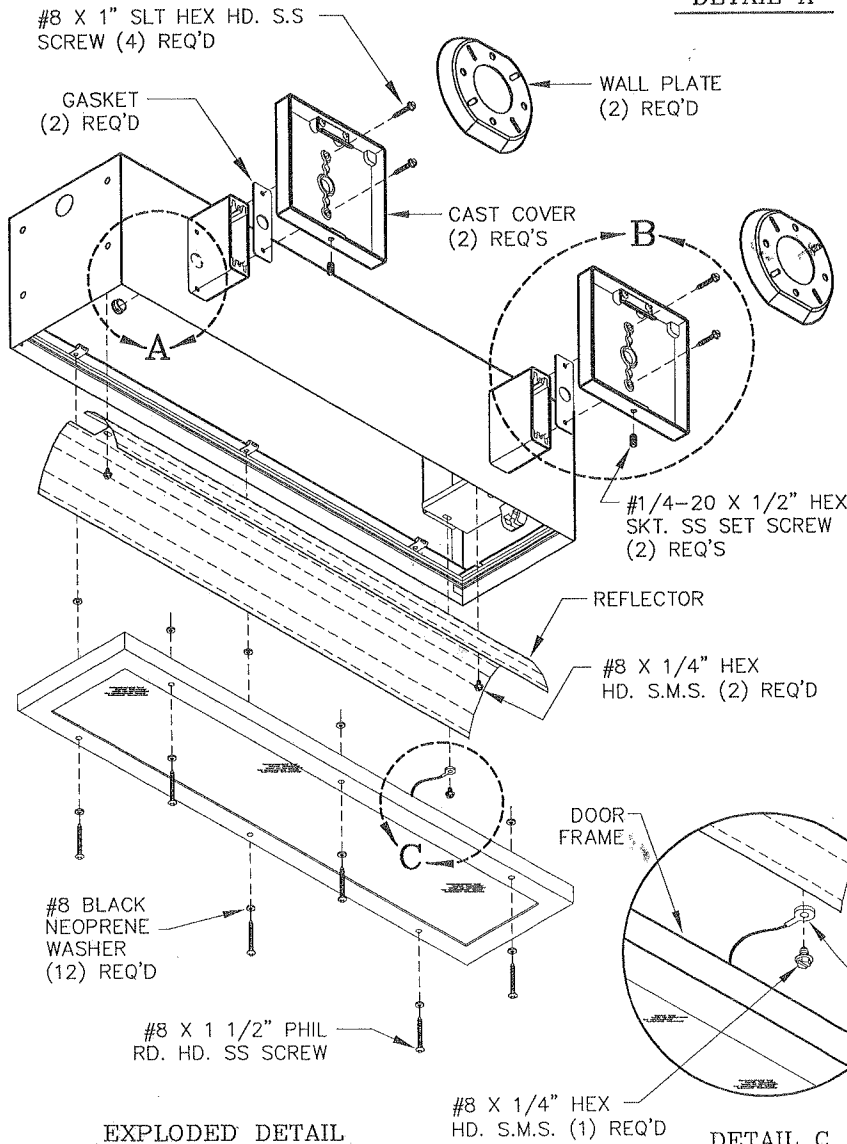
FROM KIT PROVIDED, GET (1) #8 X 1 1/2"
SCREW AND (2) #8 BLACK NEOPRENE WASHERS.
INSTALL SCREWS THROUGH (1) NEOPRENE WASHER,
DOOR FRAME HOLE AND THROUGH THE OTHER
NEOPRENE WASHER, REPEAT FOR ALL (6) HOLES
IN DOOR FRAME, (SEE EXPLODED DETAIL)

DOOR FRAME SAFETY CABLE

AFTER REMOVING REFLECTOR, REMOVE (2)
#8 X 1/4" SCREWS ON EACH END OF
FIXTURE'S SOCKET PLATE BRACKETS AND
REINSTALL SCREWS THROUGH EYELET ON
SAFETY CABLE AND BACK ONTO SOCKET
PLATE BRACKETS, (2) PER DOOR (SEE DETAIL C).

REASSEMBLING FIXTURE

AFTER ALL NECESSARY PARTS HAVE BEEN
INSTALLED, REINSTALL REFLECTOR SECURE
WITH (2) #8 X 1/4" SCREWS. ALIGN DOOR
FRAME AND SCREWS TO U-NUTS IN HOUSING.
SCREWS SHOULD BE FIRMLY TIGHTEN.



EXPLODED DETAIL

REFLECTOR

#8 X 1/4" HEX
HD. S.M.S. (2) REQ'D

DOOR
FRAME

#8 BLACK
NEOPRENE
WASHER
(12) REQ'D

#8 X 1 1/2" PHIL
RD. HD. SS SCREW

#8 X 1/4" HEX
HD. S.M.S. (1) REQ'D

DETAIL C

SAFETY CABLE
(2) PER DOOR



PRUDENTIAL LTG.

1774 EAST 21ST STREET L.A. CA 90058
TEL. (213)746-0360 FAX (213)746-8838

WWW.PRULITE.COM

DRAWN BY:
R. CORTEZ

DATE
9.8.10

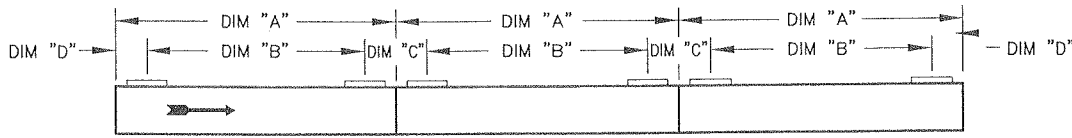
DWG. No.

45042

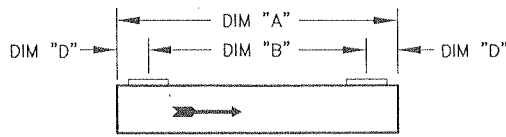
DISK No.
ZE-3-1

REV.

A

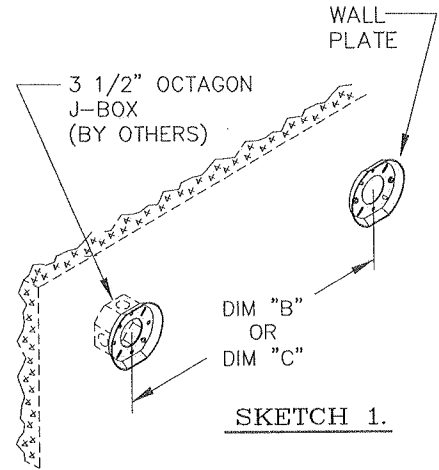


CONTINUOUS ROW MOUNTING PLAN

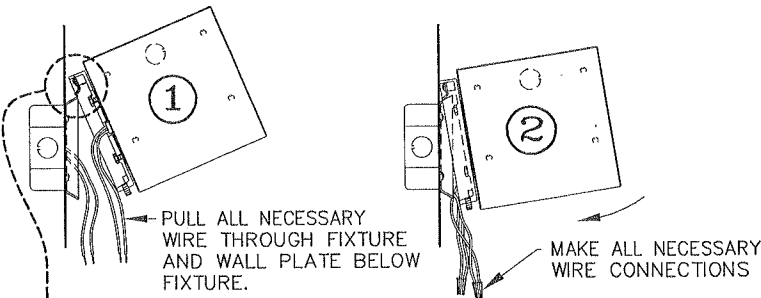


INDIVIDUAL MOUNTING

MOUNTING DIMENSIONS			
OVERALL FIXTURE DIMENSION "A"	INDIVIDUAL DIM. "B"	CONTINUOUS DIM. "C"	START/END DIM. "D"
2'-0"	16"	8"	4"
3'-0"	28"	8"	4"
4'-0"	40"	8"	4"

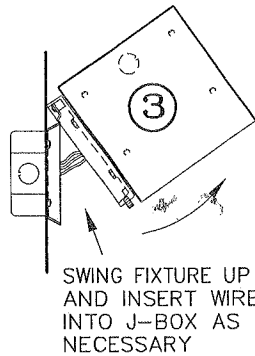
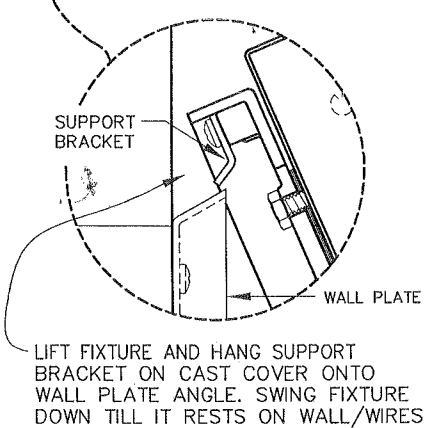


FIXTURE INSTALLATION STEPS 1-4

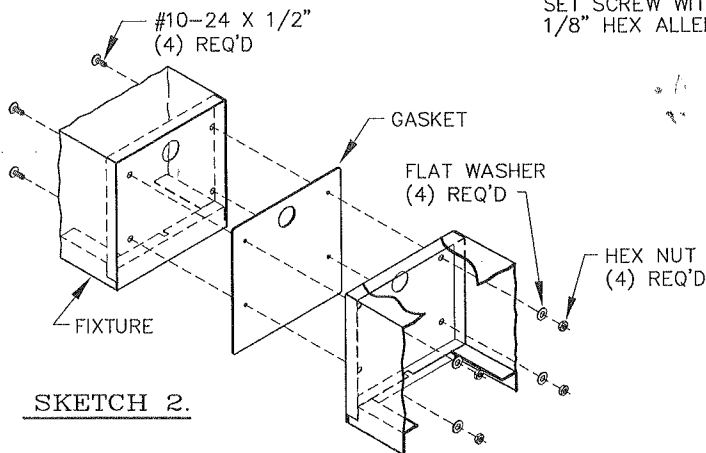
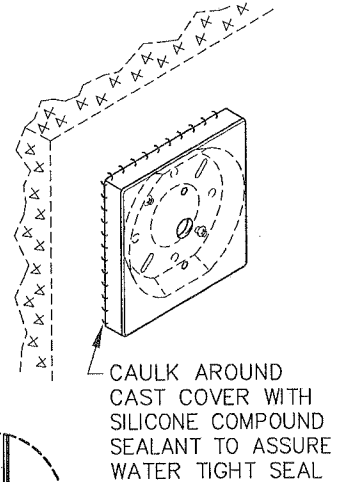


WALL PLATE INSTALLATION

- 1- SEE ROW DIAGRAM OR PRUDENTIAL LIGHTING PLAN LAYOUT (IF PROVIDED.) BEGIN ALL ROW MOUNTING FROM LEFT TO RIGHT FACING WALL SURFACE (SEE ARROWS).
- 2- MOUNT WALL PLATE TO J-BOX (BY OTHERS) OR TO STRUCTURE SURFACE (SEE SKETCH 1.) (DEPENDING UPON WALL CONSTRUCTION REINFORCEMENT MAY BE REQUIRED AT WALL PLATE MOUNTING LOCATIONS).



SWING FIXTURE DOWN SECURE SET SCREW WITH 1/8" HEX ALLEN



SKETCH 2.

CONTINUOUS ROW

REFER TO CONTINUOUS MOUNTING PLAN ABOVE FOR WALL PLATE LOCATIONS. **NOTE:** INSTALL ONE FIXTURE SECTION AT A TIME, ATTEMPTING TO INSTALL FULLY ASSEMBLED ROW MAY DAMAGE THE WEATHER TIGHT SEAL.

REMOVE ALL K.O'S FROM FIXTURE COUPLED ENDS. PEEL BACKING FROM GASKET AND APPLY ADHESIVE SIDE TO END OF MOUNTED FIXTURE. BE SURE ALL END HOLES ALIGN WITH GASKET. LIFT FIXTURE AND HANG CAST COVER ONTO WALL PLATE. SECURE FIXTURE ENDS TOGETHER WITH (4) #10-24 X 1/2" SCREWS AND HEX NUTS PROVIDED.

(SEE SKETCH 2.)