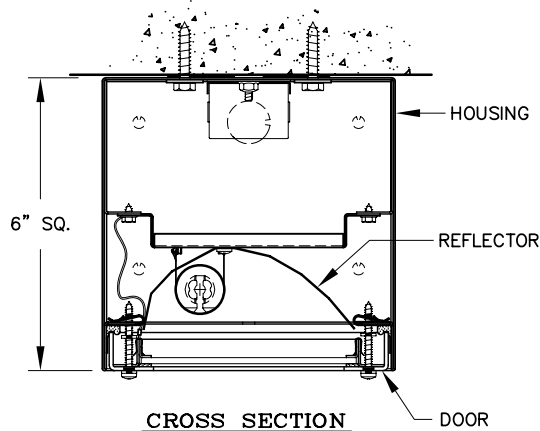
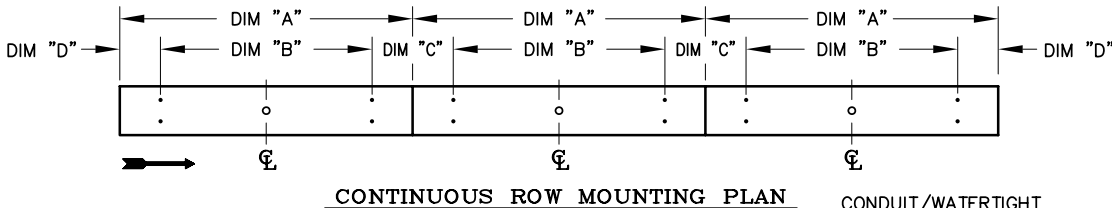
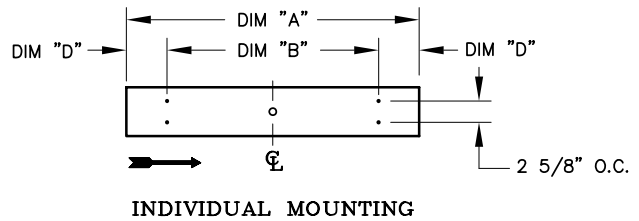


P61 WET LOCATION SURFACE MOUNTED INSTALLATION INSTRUCTIONS

WARNING: GROUND FIXTURE IN ACCORDANCE WITH LOCAL AND NATIONAL ELECTRICAL CODES. FAILURE TO DO SO MAY RESULT IN SERIOUS PERSONAL INJURY.



MOUNTING DIMENSIONS			
OVERALL FIXTURE DIMENSION	INDIVIDUAL DIM. "B"	CONTINUOUS DIM. "C"	START/END DIM. "D"
2'-0"	14"	10"	5"
3'-0"	26"	10"	5"
4'-0"	38"	10"	5"



MOUNTING INSTALLATION

- 1-SEE ROW DIAGRAM OR PRUDENTIAL LIGHTING PLAN LAYOUT (IF PROVIDED.) BEGIN ALL ROW MOUNTING FROM LEFT TO RIGHT, (SEE ARROWS).
- 2-REMOVE DOOR BY LOOSING (6) #8 SCREWS. REMOVE REFLECTOR TO EXPOSE MOUNTING HOLES AND BALLAST LEAD WIRES BY REMOVING (2) #8 SCREWS.
- 3-DEPENDING UPON CEILING CONSTRUCTION REINFORCEMENT MAY BE REQUIRED AT MOUNTING LOCATIONS. INSERT MOUNTING SCREWS (BY OTHERS) THROUGH HOLES ON TOP OF HOUSING AND GASKET (INCLUDED) AND SECURE TO STRUCTURE. REMOVE 7/8" K.O. AT OPTIONAL ACCESS FEED LOCATION NEEDED. ATTACH A WATERTIGHT CONNECTOR HUB OR EQUIVALENT TO CONDUIT (BY OTHERS). MAKE ALL WIRE CONNECTIONS AND REPLACE REFLECTOR. INSTALL LAMP AND REPLACE DOOR.

CONTINUOUS ROW

- 1-REFER TO CONTINUOUS MOUNTING PLAN ABOVE FOR MOUNTING LOCATIONS. **NOTE:** INSTALL ONE FIXTURE SECTION AT A TIME, ATTEMPTING TO INSTALL FULLY ASSEMBLED ROW MAY DAMAGE THE WEATHER TIGHT SEAL.
- 2-REMOVE ALL K.O'S FROM FIXTURE COUPLED ENDS. PEEL BACKING FROM GASKET AND APPLY ADHESIVE SIDE TO END OF MOUNTED FIXTURE. BE SURE ALL END HOLES ALIGN WITH GASKET. LIFT FIXTURE AND SECURE TO STRUCTURE (SEE NOTE #3 IN MOUNTING). SECURE FIXTURE ENDS TOGETHER WITH (4) #10-24 X 1/2" SCREWS AND HEX NUTS PROVIDED, (SEE SKETCH 2.)

