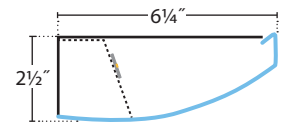


P: Perforated



SD: Solid



A complement to the cable-mounted Wave and Wave2.

Available with either a perforated or solid fascia, and unique extruded end detailing.

WALWV-LED35-SO-SD
 4274 Delivered Lumens
 39 Watts
 111 lm/w
 3500 CCT

UPTO 111 LM/W

	LO	MO	SO	HO
lm/ft	490	770	1065	1250
w/ft	4.5	7	10	12

[CLICK HERE](#)



Lumen output may vary +/- 5%
 4000K used for lm/ft estimates above
 3500K -2% llf, 3000K -4%, 2700K -6%
 -10% LLF for 90 CRI (4K, 3500K and 3K)

See LED Details PDF for more info

SERIES	LED COLOR	OUTPUT	NOMINAL LENGTH	SHIELDING	COLOR/FINISH	CIRCUITING	VOLTAGE	MOUNTING	DRIVERS	OPTIONS
WALWV	LED27 2700K (90CRI) LED3 3000K LED35 3500K LED4 4000K LED3-90 90CRI LED35-90 90CRI LED4-90 90CRI	LO Low MO Medium SO Standard HO High PROG Programmable light output (Specify desired lm/ft or w/ft)	4' 8' R____ (Row length in 4' increments, consult factory for 1' increments)	P Perforated (Standard) SD Solid	TMW Textured Matte White YGW Gloss White (Standard) Y____ Premium Color CC Custom Color	SC Single Circuit	UNV (120-277) 347 (Emergency battery requires a Step Down transformer)	WM Direct to Wall	ND Non-Dimming DM10 0-10v, 10% Dimming (Standard) DM01 0-10v, 1% Dimming STEP Step Dimming, 100-50-Off, Osram NOTE: Lumens and watts per foot may differ for STEP drivers, consult factory LDE5 5-Series EcoSystem LED LDE1 Hi-lume 1% EcoSystem LED (Soft fade on, fade-to-black dimming) LTE Hi-lume 1% 2-Wire LED Driver (120V forward phase only) ECO 1% 0-10v, EldoLED ECDA 1% DALI, EldoLED SOLO 0.1% 0-10v, EldoLED (Dim to Dark) SODA 0.1% DALI, EldoLED (Dim to Dark)	EML Emergency Battery, Low (1100 delivered lumens) 3' or longer fixtures or remote mount w/in 30' EMH Emergency Battery, High (1500 delivered lumens) 4' or longer fixtures or remote mount w/in 30' ADC Acrylic Dust Cover PRUBIN Meticulous Binning and Labeling every LED Board within a 2-Step MacAdams Ellipse

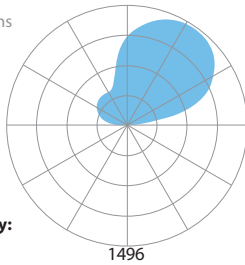


PHOTOMETRICS

Medium Output:

WALWV-LED35-SO-SD
 4274 Delivered Lumens
 39 Watts
 111 lm/w
 3500 CCT

INTERTEK:
 #103596064LAX-003



Zonal Lumen Summary:

0-90 = 0%
 90-180 = 100%

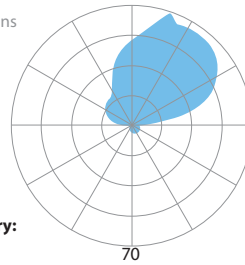
Vertical Angle	0	22.5	45	67.5	90
95	16	18	19	131	23
105	1156	1080	835	488	166
115	1546	1450	1172	800	372
125	1702	1611	1373	1029	575
135	1761	1683	1478	1177	751
145	1745	1685	1515	1252	892
155	1659	1612	1473	1265	1000
165	1496	1458	1368	1235	1070
170	1382	1354	1291	1206	1094
175	1253	1231	1199	1162	1106
180	1106	1106	1106	1106	1106

PHOTOMETRICS

Medium Output:

WALWV-LED35-SO-P
 4376 Delivered Lumens
 39 Watts
 113 lm/w
 3500 CCT

INTERTEK:
 #L021508903



Zonal Lumen Summary:

0-90 = 6%
 90-180 = 94%

Vertical Angle	0	22.5	45	67.5	90
0	70	70	70	70	70
5	72	75	72	70	68
15	83	86	78	71	64
25	106	104	84	70	61
35	133	126	91	68	55
45	133	137	91	62	43
55	125	133	84	50	30
65	101	108	76	33	16
75	59	59	55	29	8
85	25	24	22	16	3
90	21	20	15	10	3
95	25	24	23	140	25
105	1139	1062	814	482	180
115	1503	1413	1151	779	425
125	1662	25	1350	1011	630
135	1731	1652	1451	1273	785
145	1710	1651	1560	1234	911
155	1758	1763	1487	1236	1006
165	1476	1428	1334	1224	1072
170	1349	1325	1272	1195	1094

LUMEN MAINTENANCE

Designed to last with cool running mid-power LEDs projected to maintain 90% (L90) of their initial output for 100,000 hours (at HO), and L70 exceeding 150,000 hours.

LED SYSTEM LED modules and drivers are field replaceable.

PROG (OPTIONAL) Programmable light output. Specify desired lumens or watts per linear foot. Min: 2.5 w/ft, consult factory for requests above 12 w/ft.

BINNING Standard binning (all Prudential LED boards) includes testing at the chip level and board integration to provide consistent color temperature within a 3-step MacAdam ellipse, with +/- 5% lumen output range and +/- .004 Duv.

PRUBIN™ (OPTIONAL) Prudential Ltg's exclusive 'job binning' method that ensures color temperature consistency across all luminaires on a project. Meticulously testing and labeling **EVERY LED BOARD** to +/- 25 lumens, +/- 50k CCT and +/- .004 Duv — while also separating positive from negative — allows us to match color, hue and intensity throughout a project and provides a consistent color temperature within a 2-step MacAdam ellipse.

LABELS

ETL damp labeled and I.B.E.W. manufactured.

ELECTRICAL

Must specify LED dimming controls. LED fixtures have constant current driver(s) with less than 20% THD when loaded to a minimum of 60%. Drivers sink a maximum of 6mA per driver. DM10 LED drivers are 0-10V dimmable and are compatible with most 0-10V wall slide dimmers and direct 0-10V analog signal dimmers. Max driver size 1.65" w x 1.25" h.

CONSTRUCTION

- Housing 20-gauge steel, >20% PC recycled, 100% recyclable.
- End Plates 20-gauge cast iron, >20% PC recycled, 100% recyclable.

MOUNTING

Mounted directly to a wall.

WEIGHT

2 lbs/ft.

WARRANTY

Single-source, 5 year limited warranty covers standard components and construction.

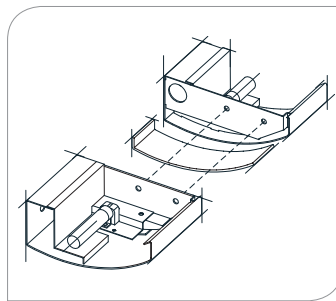




YSW – Seashell White (Matte)	YCH – Champagne (Metallic)
YSL – Silver (Metallic)	YPE – Pewter (Matte)
YRG – Rain Grey (Gloss)	YSTM – Storm Grey (Matte)
YBK – Black (Matte)	YBB – Black (Semi Gloss)
YSKM – Sky (Matte)	YMB – Military Blue (Matte)
YIB – Interstate Blue (Matte)	YSAM – Sapphire (Matte)
YFGM – Forest Green (Matte)	YBR – Bronze (Matte)
YBY – Boysenberry (Matte)	YSRM – Sunset Red (Matte)
YOR – Orange (Matte)	YDAM – Daffodil (Matte)



ADJOINING DETAIL



Choose from one of our Premium Colors with no set-up fee.

For paint chip samples, please email: info@prulite.com

MOUNTING DETAIL

