

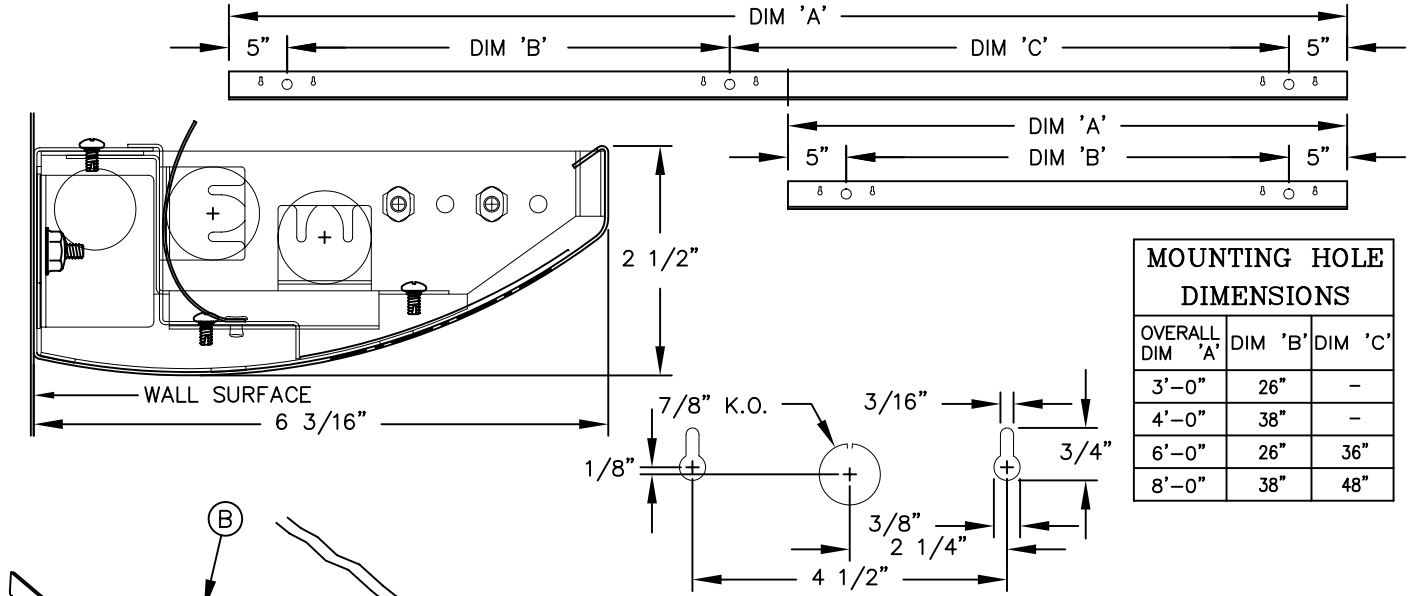
WAL-WAVE INSTALLATION INSTRUCTIONS

WARNING:

GROUND FIXTURE IN ACCORDANCE WITH LOCAL AND NATIONAL ELECTRICAL CODES. FAILURE TO DO SO MAY RESULT IN SERIOUS PERSONAL INJURY.

GENERAL NOTES

- 1- START ALL FIXTURE ROW MOUNTING FROM LEFT TO RIGHT FACING WALL .
- 2- FOR CONTINUOUS ROW MOUNTING, SEE LAYOUT OF ROWS FOR DIMENSIONS.
- 3- DEPENDING UPON CONSTRUCTION, REINFORCEMENT MAY BE REQUIRED BEHIND WALLS AT MOUNTING LOCATIONS.
- 4- FOR POWER FEED LOCATION, USE HORIZONTAL HANDY BOX, OR FLEX CONDUIT DIRECT INTO FIXTURE.



MOUNTING HOLE DIMENSIONS		
OVERALL DIM 'A'	DIM 'B'	DIM 'C'
3'-0"	26"	-
4'-0"	38"	-
6'-0"	26"	36"
8'-0"	38"	48"

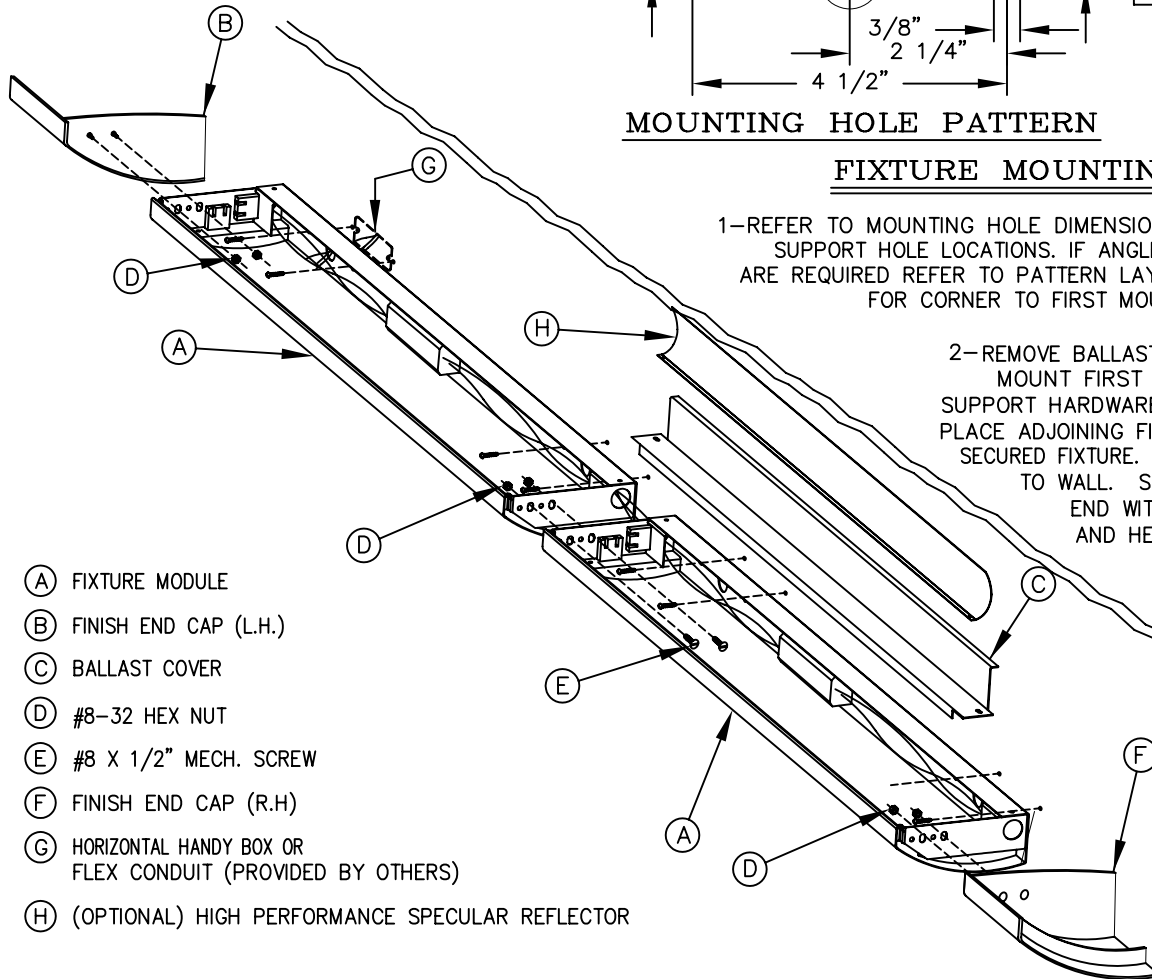
MOUNTING HOLE PATTERN

FIXTURE MOUNTING :

1-REFER TO MOUNTING HOLE DIMENSIONS FOR FEED K.O. AND SUPPORT HOLE LOCATIONS. IF ANGLED CORNER CONNECTORS ARE REQUIRED REFER TO PATTERN LAYOUT DRAWING PROVIDED FOR CORNER TO FIRST MOUNTING HOLE DIMENSION.

2-REMOVE BALLAST COVER FROM FIXTURES. MOUNT FIRST FIXTURE TO WALL WITH SUPPORT HARDWARE PROVIDED BY OTHERS. PLACE ADJOINING FIXTURE AGAINST END OF SECURED FIXTURE. LOOSELY MOUNT FIXTURE TO WALL. SECURE FIXTURES END TO END WITH #8-32 X 1/2" SCREW AND HEX NUTS PROVIDED. USE 1/2" CHASE NIPPLE FOR THROUGH WIRING. (NIPPLE PROVIDED BY OTHERS) SECURELY MOUNT FIXTURE TO WALL.

3-ATTACH LEFT AND RIGHT HAND FINISH END CAP WITH #8-32 HEX NUTS PROVIDED. MAKE ALL WIRE CONNECTIONS AND REPLACE BALLAST COVERS.



- (A) FIXTURE MODULE
- (B) FINISH END CAP (L.H.)
- (C) BALLAST COVER
- (D) #8-32 HEX NUT
- (E) #8 X 1/2" MECH. SCREW
- (F) FINISH END CAP (R.H.)
- (G) HORIZONTAL HANDY BOX OR FLEX CONDUIT (PROVIDED BY OTHERS)
- (H) (OPTIONAL) HIGH PERFORMANCE SPECULAR REFLECTOR



1774 EAST 21ST STREET L.A. CA 90058
TEL. (213)746-0360 FAX (213)746-8838

PRUDENTIAL LTG . WWW.PRULITE.COM

DRAWN BY: S.P.H. DATE: 7/9/08

CHK. DATE:

DWG. No.

42130

DISK No. ZD3

REV.

A