

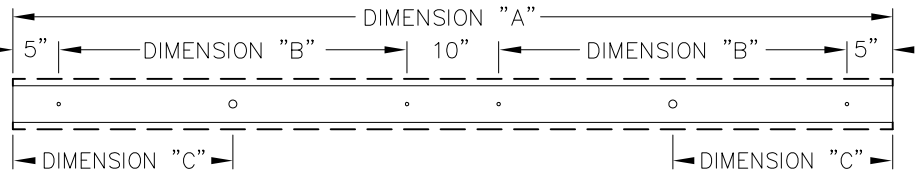
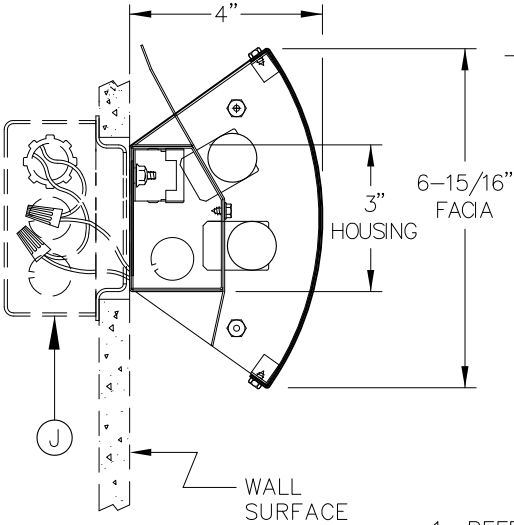
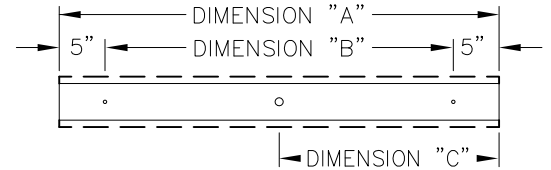
WAL-14 INSTALLATION INSTRUCTIONS

WARNING:

GROUND FIXTURE IN ACCORDANCE WITH LOCAL AND NATIONAL ELECTRICAL CODES. FAILURE TO DO SO MAY RESULT IN SERIOUS PERSONAL INJURY.

GENERAL NOTES

- 1- START ALL FIXTURE ROW MOUNTING FROM LEFT TO RIGHT FACING WALL .
- 2- FOR CONTINUOUS ROW MOUNTING SEE LAYOUT OF ROWS FOR DIMENSIONS.
- 3- DEPENDING UPON CONSTRUCTION, REINFORCEMENT MAY BE REQUIRED BEHIND WALLS AT MOUNTING LOCATIONS.



| MOUNTING HOLE DIMENSIONS | | |
|-------------------------------|----------|----------|
| OVERALL FIXTURE DIMENSION "A" | DIM. "B" | DIM. "C" |
| 3'-0" | 26" | 18" |
| 4'-0" | 38" | 24" |
| 6'-0" | 26" | 18" |
| 8'-0" | 38" | 24" |

HOLE LEGEND

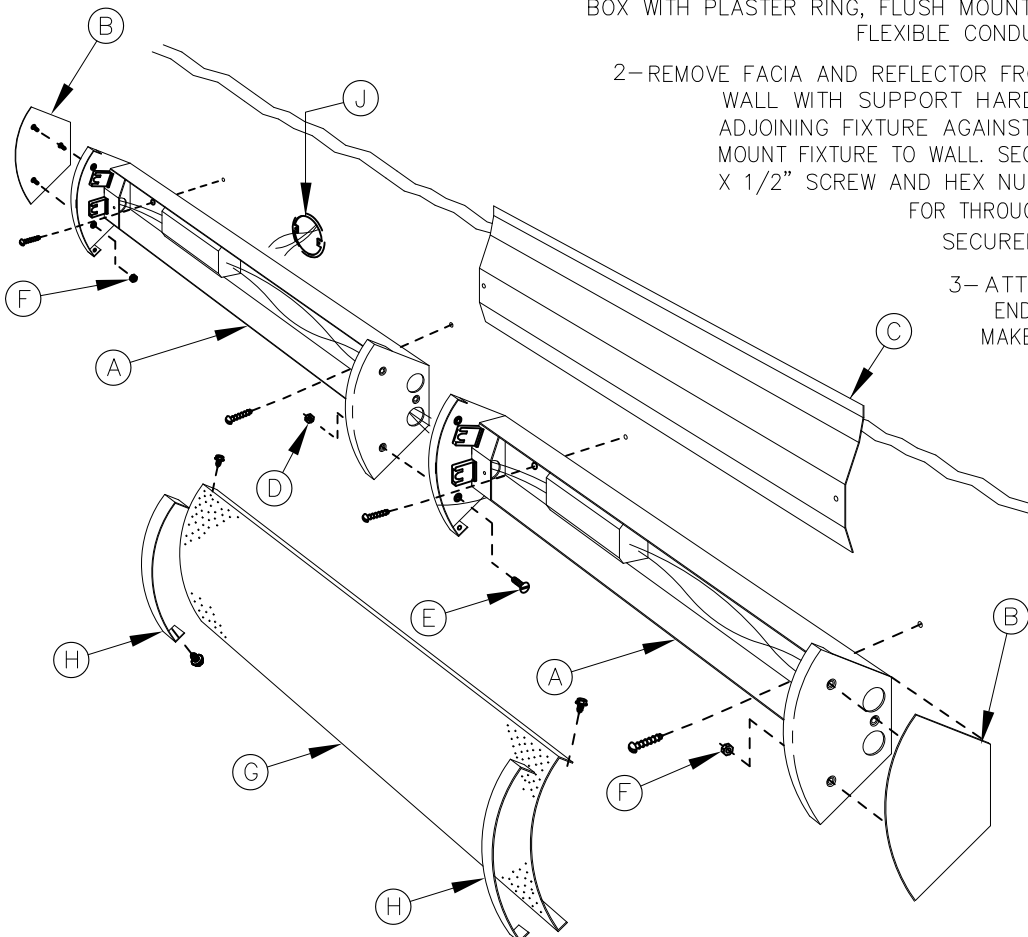
- = 7/8" K.O.
- = 5/16" DIA. HOLE

FIXTURE MOUNTING :

1- REFER TO MOUNTING HOLE DIMENSIONS ABOVE FOR FEED K.O. AND SUPPORT HOLE LOCATIONS. 3" WIDE HOUSING MUST BE INSTALLED OVER FLUSH MOUNTED 4" SQUARE BOX WITH PLASTER RING, FLUSH MOUNTED SINGLE GANG ELECTRICAL BOX OR, FLEXIBLE CONDUIT DIRECTLY FASTENED TO 7/8" K.O.

2- REMOVE FACIA AND REFLECTOR FROM FIXTURES. MOUNT FIRST FIXTURE TO WALL WITH SUPPORT HARDWARE PROVIDED BY OTHERS. PLACE ADJOINING FIXTURE AGAINST END OF SECURED FIXTURE. LOOSELY MOUNT FIXTURE TO WALL. SECURE FIXTURES END TO END WITH #8-32 X 1/2" SCREW AND HEX NUTS PROVIDED. USE 1/2" CHASE NIPPLE FOR THROUGH WIRING. (NIPPLE PROVIDED BY OTHERS). SECURELY MOUNT FIXTURE TO WALL SURFACE.

3- ATTACH LEFT AND RIGHT HAND FINISH END PLATE WITH #8-32 PAL NUTS PROVIDED. MAKE ALL WIRE CONNECTIONS IN ACCORDANCE WITH ALL LOCAL AND NATIONAL ELECTRICAL CODES. REPLACE REFLECTORS AND FACIAS.



- (A) FIXTURE MODULE
- (B) FINISH END PLATE.
- (C) REFLECTOR
- (D) #8-32 HEX NUT
- (E) #8 X 1/2" MECH. SCREW
- (F) #8-32 PAL NUT
- (G) PERFORATED FACIA OR, SATIN ACRYLIC FACIA.
- (H) ACRYLIC RETAINER BAND.
- (J) 4" (S) BOX W/ PLASTER RING, SINGLE GANG BOX OR, FLEXIBLE CONDUIT. (PROVIDED BY OTHERS)



1774 EAST 21ST STREET L.A. CA 90058
TEL. (213)746-0360 FAX (213)746-8838

PRUDENTIAL LTG. WWW.PRULITE.COM

DRAWN BY: S.P.H.
DATE: 7/7/2011

CHK. DATE

DWG. No.

76356

DISK No. VAULT

REV. A