

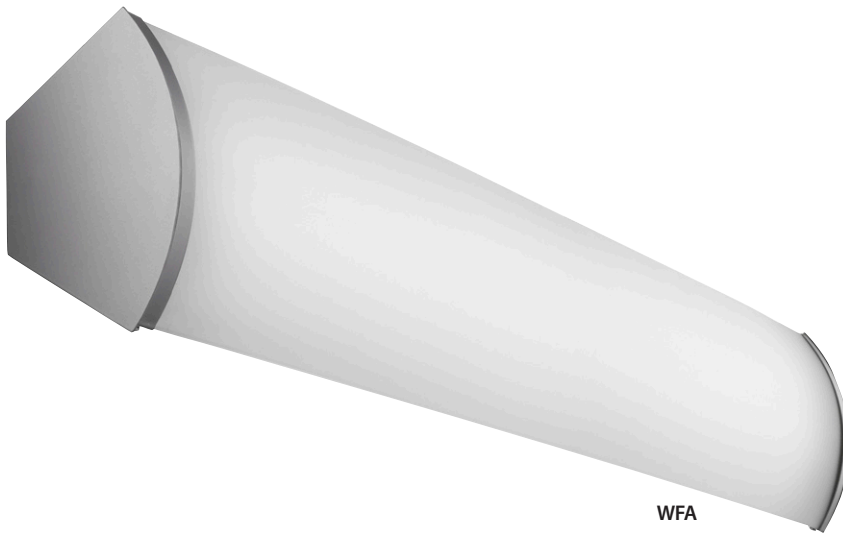


# Wal14 | Wall



PRUDENTIAL LTG.

PRULITE.COM 213.746.0360



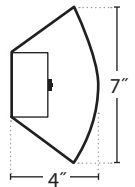
WFA

Type:

Job:



Perforated with 505



## Perfect for hallways and stairwells.

An architectural wall fixture, open to wash light above and below. Frost acrylic fascias offer a warm, modern feel and integrated occupancy sensors help meet stringent energy codes.

**Low Output:**  
WAL14-LED4-LO-WFA

2203	Delivered Lumens
18.5	Watts
116	lm/w

UPTO **116** LM/W

	LO	MO	SO	HO
lm/ft	550	770	1050	1250
w/ft	5	7	10	12

[CLICK HERE](#)



Lumen output may vary +/- 5% 4000K used for lm/ft estimates above 3500K -2% llf, 3000K -4%, 2700K -6% -10% LLF for 90 CRI (4K, 3500K and 3K)

See LED Details PDF for more info

SERIES	LED COLOR	OUTPUT	NOMINAL LENGTH	SHIELDING	COLOR/FINISH	CIRCUITING	VOLTAGE	CEILING SYSTEMS	DRIVERS	OPTIONS & SENSORS
WAL14										
	LED27 2700K (90CRI)	LO Low	2'	WFA White Frost Acrylic (Standard)	TMW Textured Matte White	SC Single Circuit	UNV (120-277)	WM Direct to Wall (Standard)	ND Non-Dimming	EML Emergency Battery, Low (1100 delivered lumens) 3' or longer fixtures or remote mount w/in 30'
	LED3 3000K	MO Medium	3'	P Perforated	YGW Gloss White (Standard)		347 (Emergency battery requires a Step Down transformer)	SUR Surface Mount	DM10 0-10v, 10% Dimming (Standard)	EMH Emergency Battery, High (1500 delivered lumens) 4' or longer fixtures or remote mount w/in 30'
	LED35 3500K	SO Standard	4'		Y Premium Color			VWM Vertical Wall Mount	DM01 0-10v, 1% Dimming	PRUBIN Meticulous Binning and Labeling every LED Board within a 2-Step MacAdams Ellipse
	LED4 4000K	HO High	6'		CC Custom Color				STEP Step Dimming, 100-50-Off, Osram	
	LED3-90 90CRI	PROG Programmable light output (Specify lm/ft or w/ft)	8'						NOTE: Lumens and watts per foot may differ for STEP drivers, consult factory	
	LED35-90 90CRI		R (Row length in 1" increments)						LDE5 5-Series EcoSystem LED	
	LED4-90 90CRI								LDE1 Hi-lume 1% EcoSystem LED (Soft fade on, fade-to-black dimming)	
									LTE Hi-lume 1% 2-Wire LED Driver (120V forward phase only)	
									ECO 1% 0-10v, EldoLED	
									ECDA 1% DALI, EldoLED	
									SOLO 0.1% 0-10v, EldoLED (Dim to Dark)	
									SODA 0.1% DALI, EldoLED (Dim to Dark)	
										<b>SENSORS:</b> 505 WattStopper Ultrasonic Occupancy Sensor (WM only, 3' or longer fixtures) 505-STEP: Dim to 50% 505-DM: Dim to 1%



Prudential Ltg. reserves the right to change design specifications or materials without notice. Please visit prulite.com for most current data. © 2014 All rights reserved - All products manufactured at: Prudential Ltg. 1774 E. 21st Street, Los Angeles, CA 90058

Wall Mount

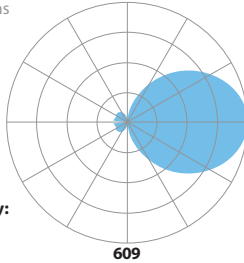
1

02-27-2019



**PHOTOMETRICS**

**Low Output:**  
**WAL14-LED4-LO-WFA**  
 2203 Delivered Lumens  
 18.5 Watts  
 116 lm/w  
 4000 CCT  
 Test #L091407201



**Zonal Lumen Summary:**  
 0-90 = 50%  
 90-180 = 50%

Vertical Angle	0	25	45	65	90
0	609	609	609	609	609
5	604	604	604	605	605
15	574	576	579	581	583
25	521	525	531	538	541
35	449	456	465	476	481
45	365	375	386	401	408
55	276	286	300	360	327
65	184	194	203	233	245
75	92	108	136	162	178
85	19	66	96	118	127
90	1	26	48	67	74
95	9	27	38	50	55
105	33	47	55	55	53
115	50	59	71	77	78
125	61	66	79	90	94
135	68	76	82	93	99
145	71	82	86	90	95
155	64	78	87	91	93
165	69	66	78	87	91
175	73	72	63	55	59
180	0	0	0	0	0

**LUMEN MAINTENANCE**

Designed to last with cool running mid-power LEDs projected to maintain 90% (L90) of their initial output for 100,000 hours (at HO), and L70 exceeding 150,000 hours.

**LED SYSTEM** LED modules and drivers are field replaceable.

**PROG** (OPTIONAL) Programmable light output. Specify desired lumens or watts per linear foot. Min: 2.5 w/ft, consult factory for requests above 12 w/ft.

**BINNING** Standard binning (all Prudential LED boards) includes testing at the chip level and board integration to provide consistent color temperature within a 3-step MacAdam ellipse, with +/- 5% lumen output range and +/- .004 Duv.

**PRUBIN™** (OPTIONAL) Prudential Ltg's exclusive 'job binning' method that ensures color temperature consistency across all luminaires on a project. Meticulously testing and labeling **EVERY LED BOARD** to +/- 25 lumens, +/- 50k CCT and +/- .004 Duv — while also separating positive from negative — allows us to match color, hue and intensity throughout a project and provides a consistent color temperature within a 2-step MacAdam ellipse.

**LABELS** ETL damp labeled and I.B.E.W. manufactured.

**ELECTRICAL** Must specify LED dimming controls. LED fixtures have constant current driver(s) with less than 20% THD when loaded to a minimum of 60%. Drivers sink a maximum of 6mA per driver. DM10 LED drivers are 0-10V dimmable and are compatible with most 0-10V wall slide dimmers and direct 0-10V analog signal dimmers. Max driver size 1.65" w x 1.25" h.

**CONSTRUCTION**

- Housing 20-gauge steel, >20% PC recycled, 100% recyclable
- End Plates 20-gauge steel, >20% PC recycled, 100% recyclable
- Lens Frosted acrylic, 100% recyclable

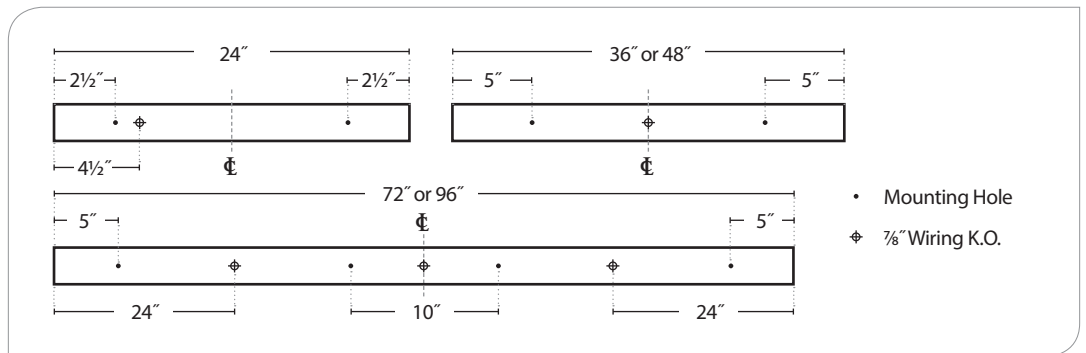
**MOUNTING** Mounted directly to a wall or surface mounted on ceilings

**WEIGHT** 2 lbs/ft

**WARRANTY** Single-source, 5 year limited warranty covers standard components and construction.



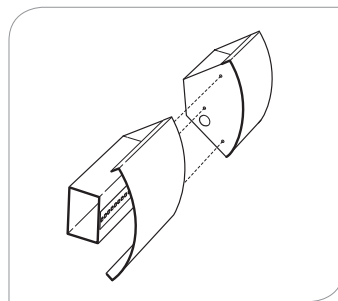
**MOUNTING DETAIL**



Choose from one of our Premium Colors with no set-up fee.

For paint chip samples, please email: [info@prulite.com](mailto:info@prulite.com)

**ADJOINING DETAIL**



**CONTROLS**

