



Stream™ Square | Linear Integral Driver

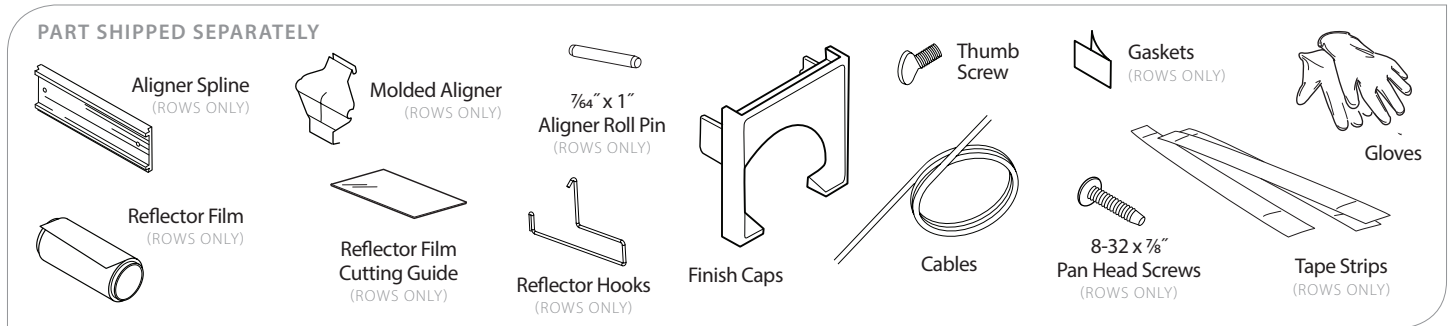
INSTALLATION INSTRUCTIONS



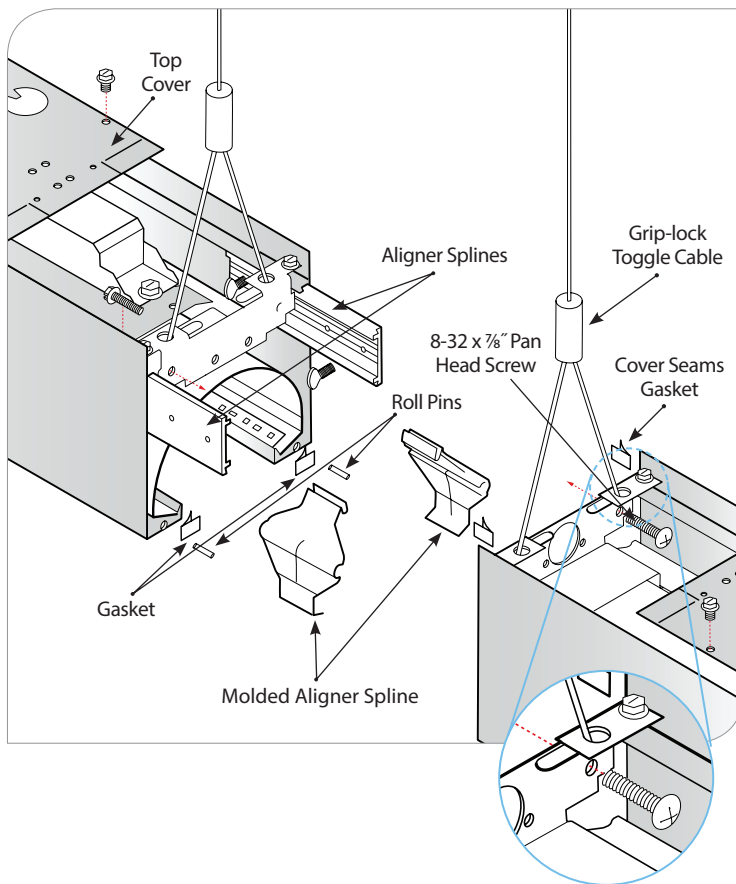
PRUDENTIAL LTG.

PRULITE.COM 213.746.0360

GENERAL INSTALLATION



ROW INSTALL



WHILE FIXTURE IS ON THE GROUND!

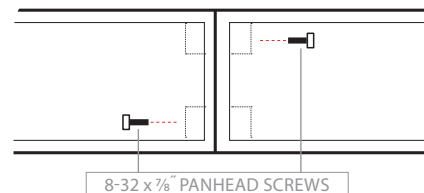
1. Continuous row: Install one fixture section at a time. **DO NOT** assemble fixture row on ground, then hoist up to ceiling. Gaps at the fixture seams can result from this installation method.
2. Remove top cover screws. Top covers will need to be shifted from place in order to connect fixtures in row. Shift each top cover toward the center of fixture to make row connections.
3. Attach to one end of each adjoining fixture (2) aligner spline connector (use 8-32 thumbscrews), (2) molded aligner spline, and (2) 7/64\"

Suspend fixture.

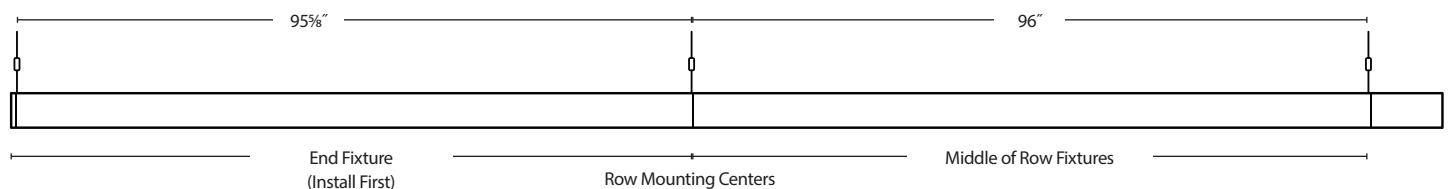
4. Suspend first fixture in row from both ends by capturing suspension cable toggle washers in endplate holes, ensuring that the washers are firmly trapped inside of bracket (detail below).
5. After first fixture in row is suspended, slide next fixture in row into aligner spline connectors and molded aligner splines from previous fixture. Secure aligner splines with thumbscrews. Connect fixture at top with (2) 8-32 x 7/8\"
6. Attach gasket at the upper seams where fixtures join.

NOTE: Refer to toggle cable instructions to hang fixtures.

DETAIL



MOUNTING:



WARNING: Ground fixture in accordance with local and national electrical codes. Failure to do so may result in serious personal injury.

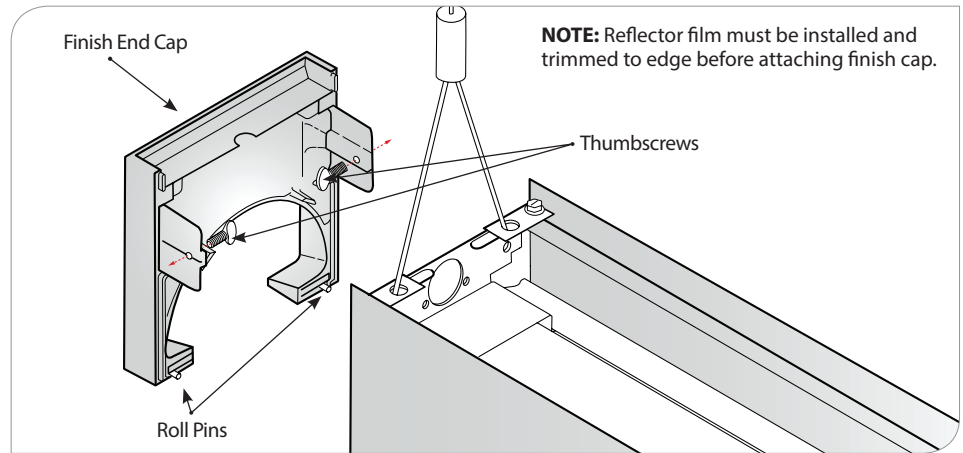


Prudential Ltg. reserves the right to change design specifications or materials without notice. Please visit prulite.com for most current data.
© 2015 All rights reserved – All products manufactured at: Prudential Ltg. 1774 E. 21st Street, Los Angeles, CA 90058



FINISH CAP INSTALL

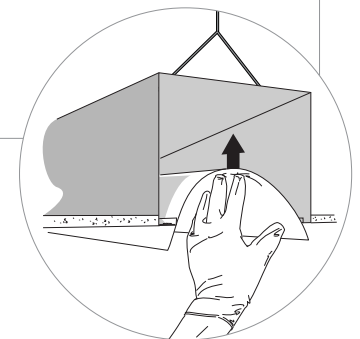
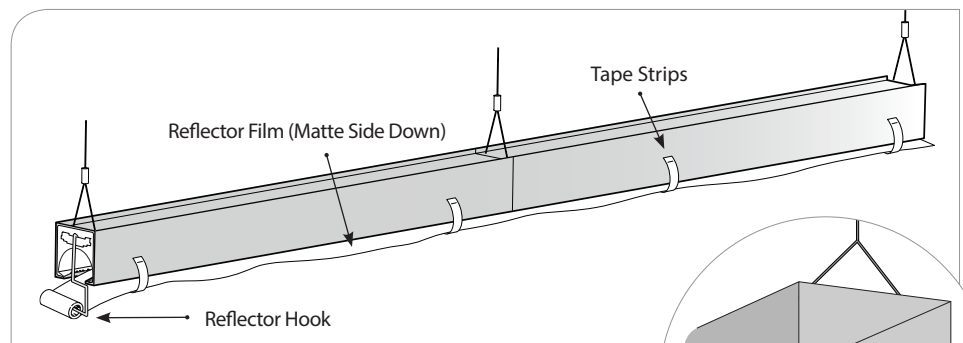
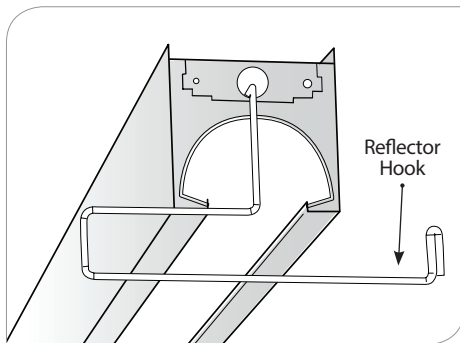
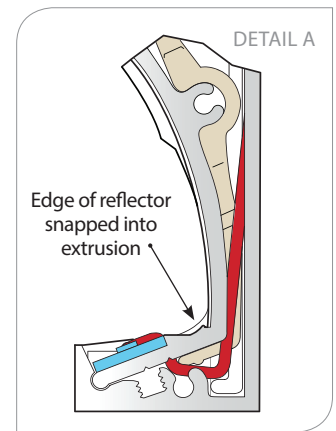
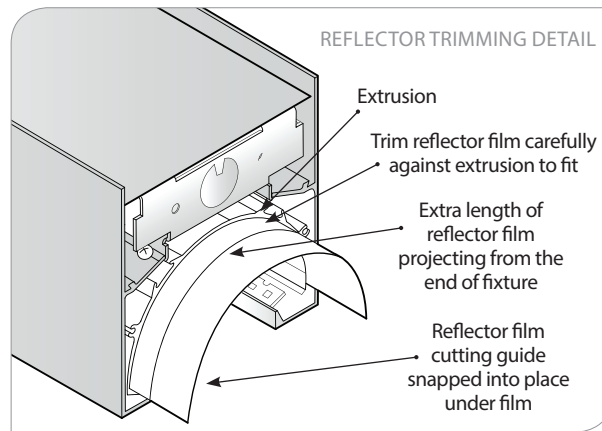
1. Remove top cover screws. Top covers will need to be shifted from place in order to connect finish cap. Shift each top cover toward the center of the fixture to make end connections.
2. After reflector film has been installed and trimmed, slide finish cap into slots in body and tighten with (2) 8-32 thumbscrews. Roll pins at the bottom of the end cap will align with holes in extrusion.
3. Re-attach and secure top covers.



REFLECTOR INSTALL

NOTE: This installation requires 2 people to install.

1. Hang reflector roll from end using hook (provided)
2. Apply tape straps spaced approx. 5' apart.
3. With fixture installed without finish caps, start at one end of the fixture (leaving 1" projecting from edge) and snap reflector (matte side down) into underside of reflector extrusion until length of film is in place.
4. Go back along length of row and snap edge of film into extrusion detail. (See Detail A).
5. Snap film cutting guide into end of row and carefully trim against guide using extrusion as cutting edge. Repeat on opposite end.
6. Refer to Finish Cap installation to install finish caps.



CLEANING INSTRUCTIONS:

Reflector film may be cleaned as needed. To avoid contaminating LED emitters, use only water and/or isopropyl alcohol solution on a clean wash cloth. Other cleaning chemicals could damage LED emitters

Push reflector into housing to proper position. Make sure no LED emitters are covered. Wire leads may need to be tucked away from emitters and reflector.

WARNING: Ground fixture in accordance with local and national electrical codes. Failure to do so may result in serious personal injury.





Stream™ Square | Linear Integral Driver

INSTALLATION INSTRUCTIONS

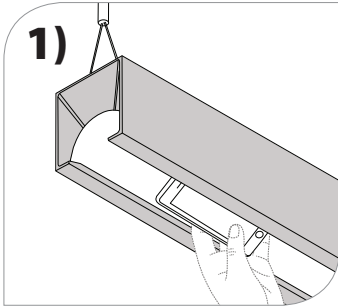
LED BOARD REPLACEMENT



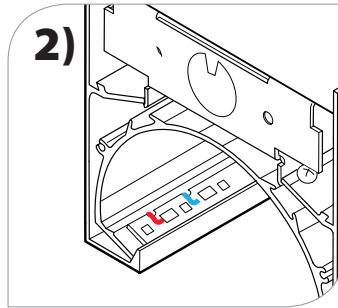
PRUDENTIAL LTG.

PRULITE.COM 213.746.0360

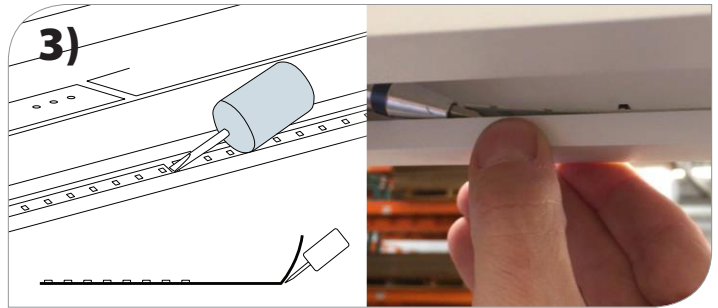
These instructions are for boards with connectors.
If the boards in your fixture have soldered wires, please consult factory.



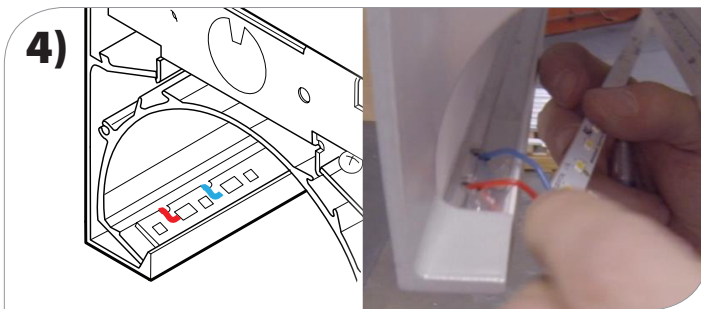
1) Use phone camera to locate end of board.



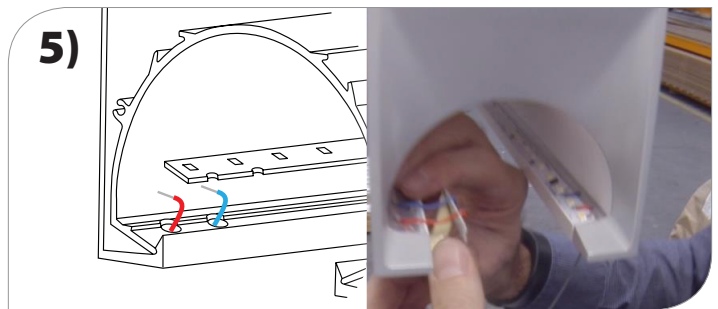
2) Locate wires in connectors at ends of boards.



3) Starting at end without connected wires, use stubby flat head crew driver or small tool to lift end of board and slowly scrape board off aluminum extrusion.



4) Using small pliers, pull wires out of connectors at ends of board.



5) Lift old board from extrusion. Replace with new board, reconnect wires to connectors, making sure to insert red wire in the (+) connector and blue in the (-) connector.

WARNING: Ground fixture in accordance with local and national electrical codes. Failure to do so may result in serious personal injury.



Prudential Ltg. reserves the right to change design specifications or materials without notice. Please visit prulite.com for most current data.
© 2015 All rights reserved – All products manufactured at: Prudential Ltg. 1774 E. 21st Street, Los Angeles, CA 90058