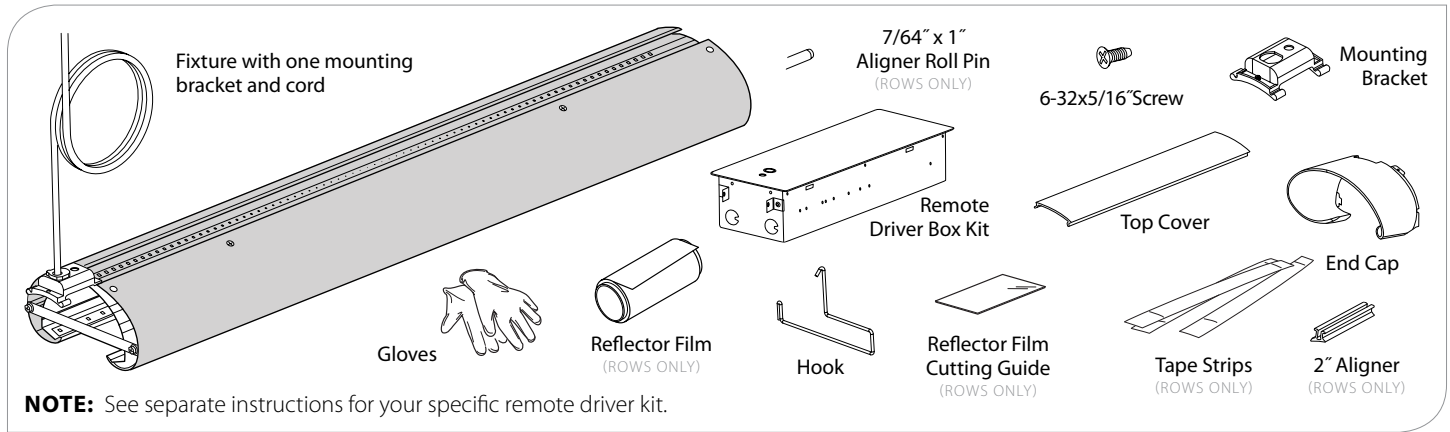




PLEASE READ THE FOLLOWING INSTRUCTIONS CAREFULLY:



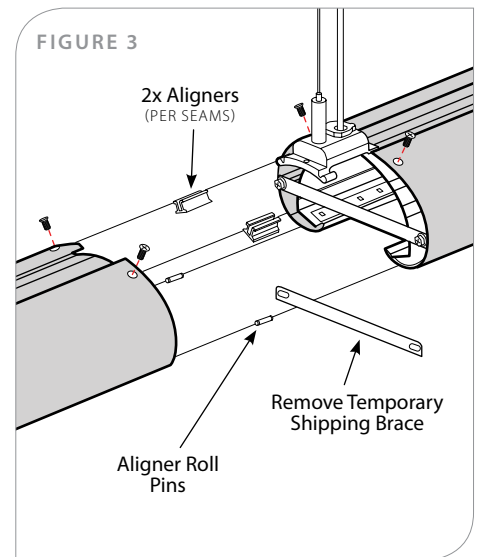
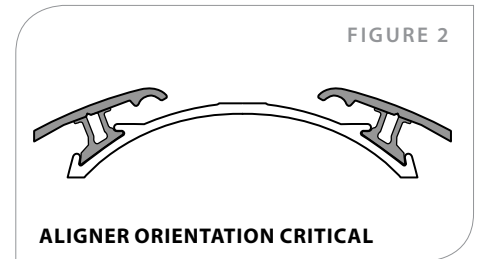
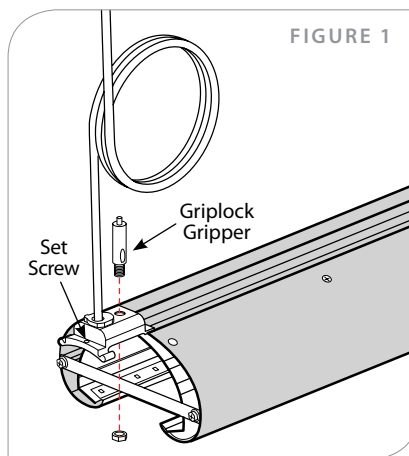
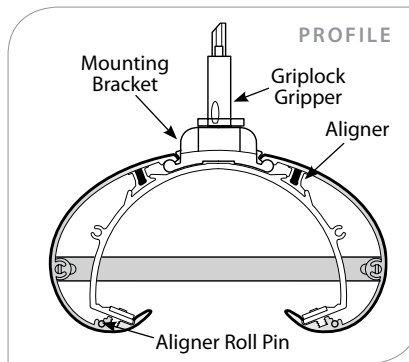
NOTE: See separate instructions for your specific remote driver kit.

ASSEMBLING MULTIPLE FIXTURES

FOR INDIVIDUAL FIXTURES PERFORM STEPS 1, 13 & 14

NOTE: This installation requires 2 people to install.

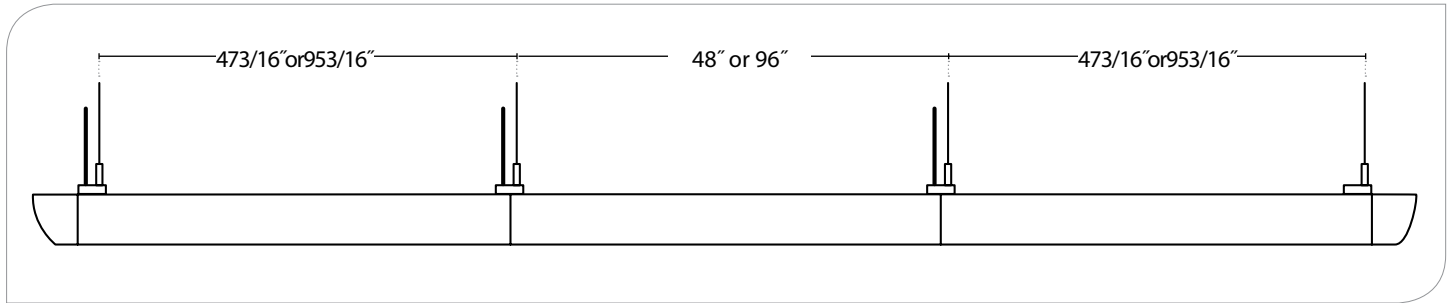
- 1. CONTINUOUS ROW:** Install one fixture section at a time. **DO NOT** assemble fixture row on ground, then hoist up to ceiling. Gaps at the fixture seams can result from this installation method.
- On all fixtures, loosen the set screws in the mounting brackets and slide bracket out creating clearance to install griplock mounting hardware. Install griplock gripper and slide bracket into place. **DO NOT** tighten screws yet (Figure 1).
- On the opposite end of the first fixture, install two aligners and fasten with 6-32 x 5/16" screws. Aligners shall be protruding from fixture by 1/2" to align with next fixture. Ensure aligner splines are in the correct orientation (Figure 2).
- Install two (2) 7/64" aligner roll pin for alignment at bottom of fixture (Figure 2).
- Mount first fixture to ceiling using a griplock mounting kit (see separate instructions if needed). One end will need to be manually supported until second fixture is mounted. Remove temporary shipping braces and discard.
- Align and join second fixture. Fasten aligners to second fixture with 6-32 x 5/16" screws (Figure 3). Center mounting bracket over seam of the two fixtures and tighten set screws. Mount to ceiling using griplock kit.
- Continue the rest of the row in the same fashion.



WARNING: Ground fixture in accordance with local and national electrical codes. Failure to do so may result in serious personal injury.



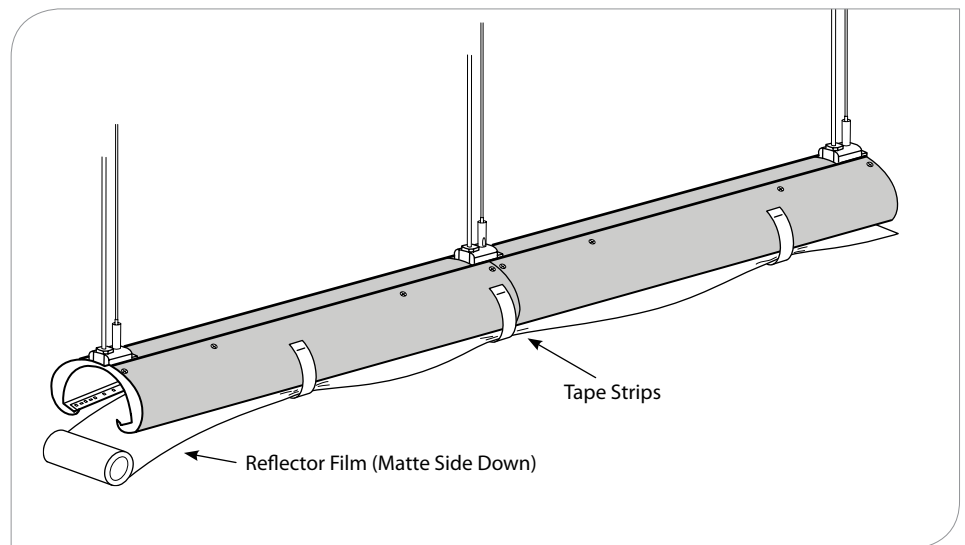
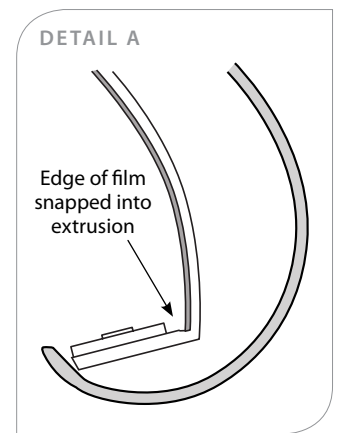
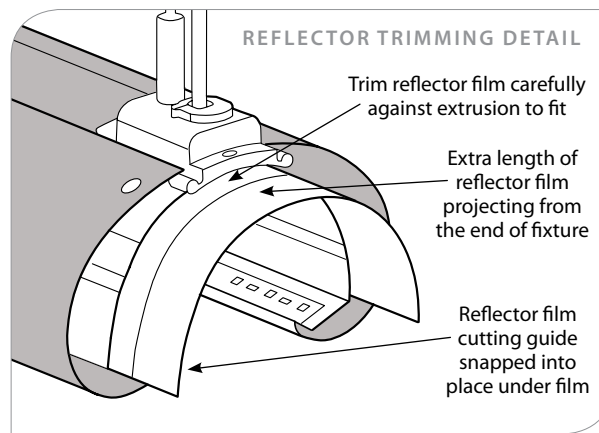
MOUNTING:



REFLECTOR INSTALL (ROWS ONLY)

NOTE: This installation requires 2 people to install.

1. Before end cap installation, apply tape strips along fixtures approx. 5 feet apart.
USE GLOVES PROVIDED!
2. Pull reflector film along the length of the row, resting on tape strips.
3. Starting at one end of the row (leaving 1" projection from edge), snap film (matte side down) into underside of fixture reflector extrusion. Cut film leaving at least 1" overhang at end.
4. Go back along length of row and snap edge of film into extrusion detail (See Detail A).
5. Place film cutting guide into end of row and carefully trim against guide using reflector extrusion as cutting edge. Repeat on opposite end.
6. Proceed to end cap installation.

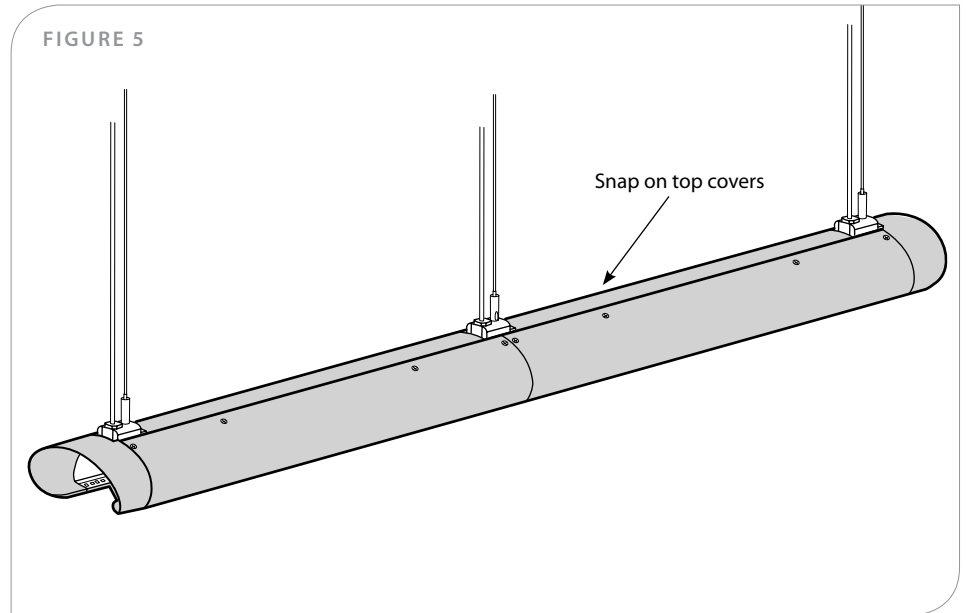
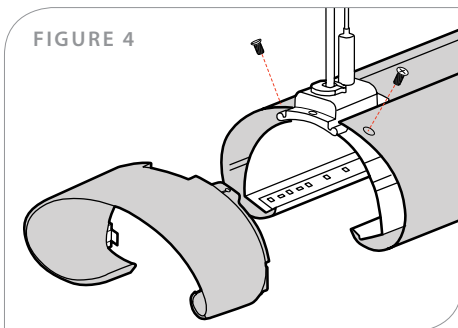


WARNING: Ground fixture in accordance with local and national electrical codes. Failure to do so may result in serious personal injury.



ASSEMBLING MULTIPLE FIXTURES CONTINUED

7. For end cap assembly, line end cap up with body assembly and press into place. Compression clips will hold end cap in place. Fasten with 6-32 x 5/16" screws (Figure 4). Slide mounting bracket over end cap and tighten set screws. **(DO NOT OVERTIGHTEN).**
8. Snap on top covers (Figure 5).



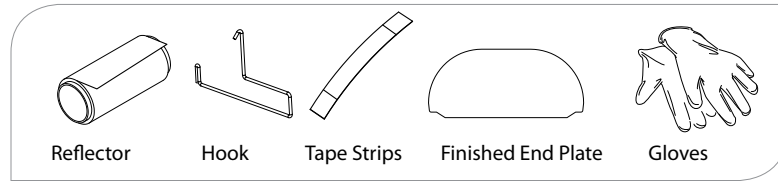
WARNING: Ground fixture in accordance with local and national electrical codes. Failure to do so may result in serious personal injury.



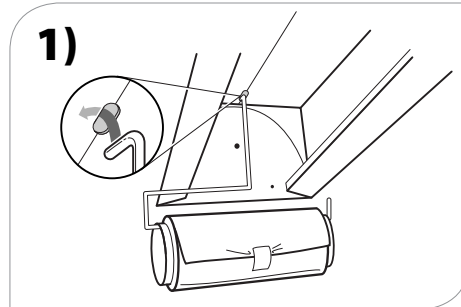


PLEASE READ THE FOLLOWING INSTRUCTIONS CAREFULLY:

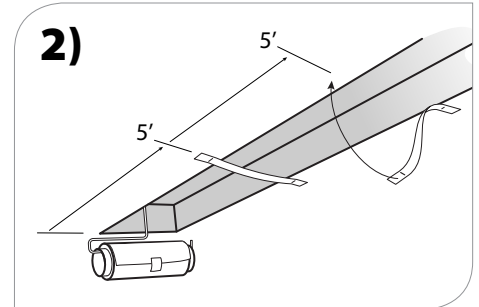
Test LEDs and confirm they are all lit before beginning Reflector install.



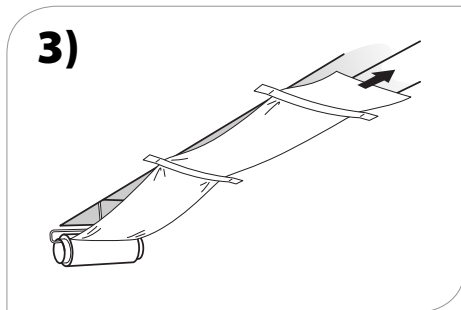
REFLECTOR
INSTALLATION
VIDEO



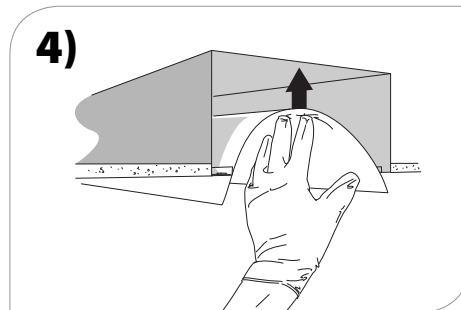
1) Hang reflector roll from same end using hook. **MATTE SIDE OF FILM WILL FACE DOWN** towards room when installed. (Skip this step on rows of 8' or less)



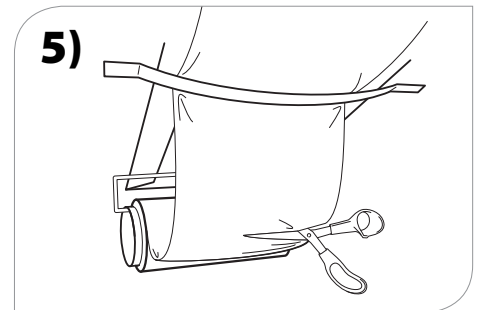
2) Apply tape strips provided about 5' apart along housing.



3) **USE GLOVES PROVIDED.** Pull reflector over entirety of housing row. Tighten roll to remove excess slack. Clamp roll to keep from unrolling.



4) Push reflector into housing to proper position. Make sure no LED emitters are covered. Wire leads may need to be tucked away from emitters and reflector.



5) Cut reflector to fit — from side with excess reflector (hook & roll side). **DO NOT UNDER-CUT.** Make small cuts until reflector fits into housing, covering curved end plate.

CLEANING INSTRUCTIONS:

Reflector film may be cleaned as needed. To avoid contaminating LED emitters, use only water and/or isopropyl alcohol solution on a clean wash cloth. Other cleaning chemicals could damage LED emitters.

WARNING: Ground fixture in accordance with local and national electrical codes. Failure to do so may result in serious personal injury.