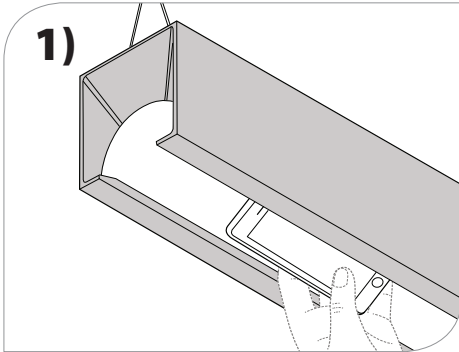
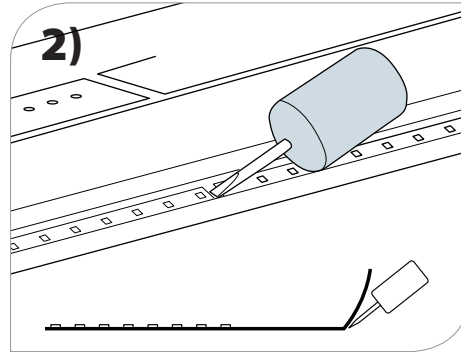




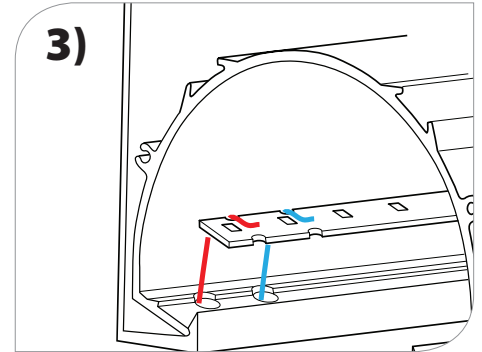
### FOR BOARDS WITH SOLDERED LEADS



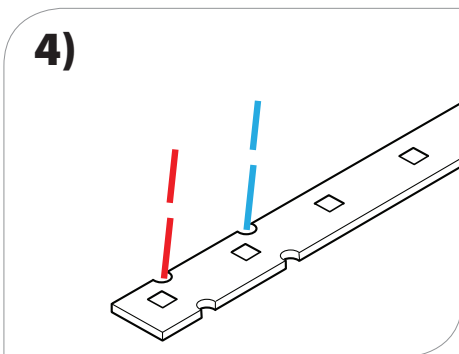
1) Use phone camera to locate end of board.



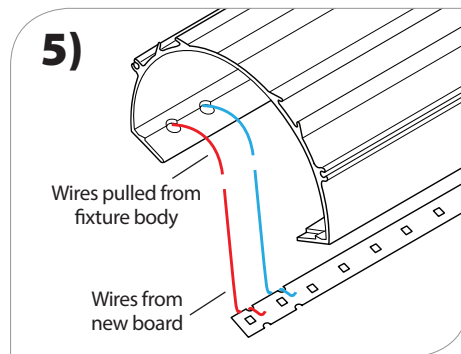
2) Starting at end without connected wires, use stubby flat head screwdriver to lift end of board and slowly scrape board off of aluminum extrusion.



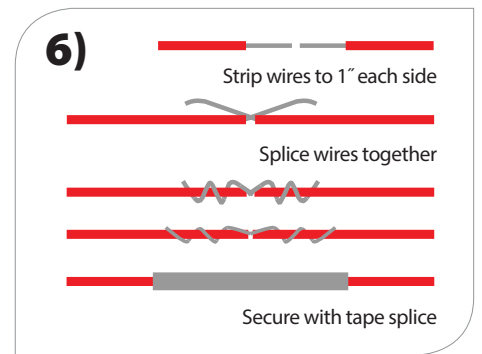
3) Lift board and pull wires



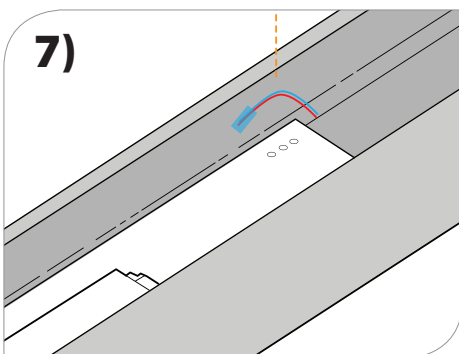
4) Trim wires close to board. Discard board.



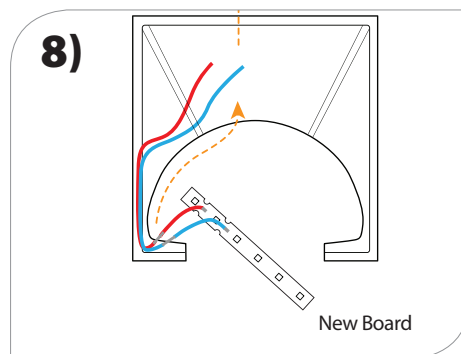
5) Wires pulled from fixture body  
Wires from new board



6) Strip wires to 1" each side  
Splice wires together  
Secure with tape splice



7) Remove top cover above boards.  
Pull corresponding wires from above.



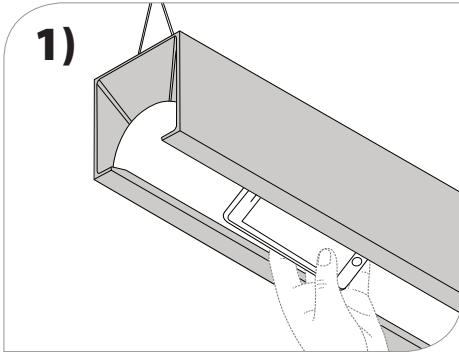
8) Pull splices through wire holes and up into driver compartment. Re-splice new board wires to driver. Attach new board to extrusion. Replace top cover.

**WARNING:** Ground fixture in according with local and national electrical codes. Failure to do so may result in serious personal injury.

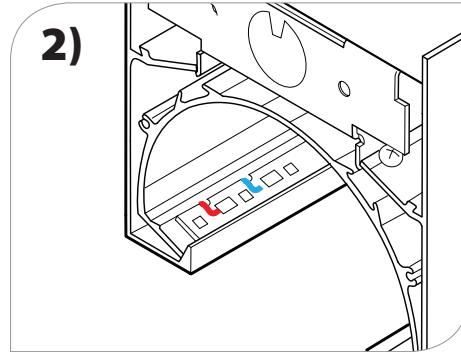




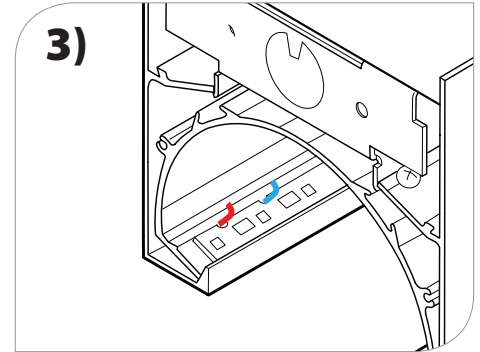
### FOR NEW BOARDS WITH CONNECTORS



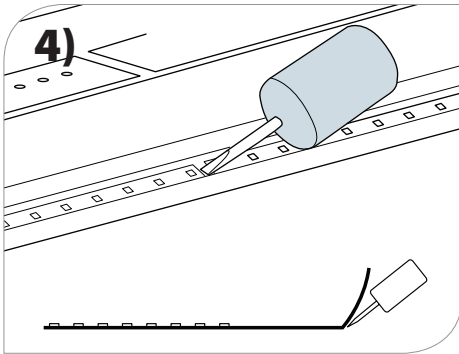
**1)** Use phone camera to locate end of board that needs to be replaced.



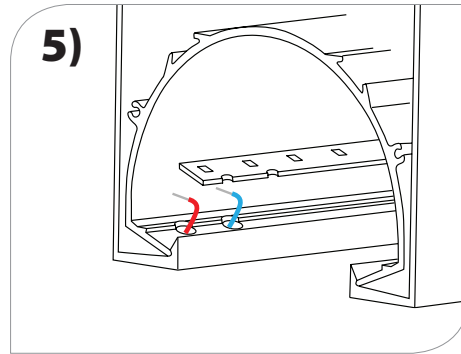
**2)** Locate wires in connectors at ends of boards.



**3)** Using small pliers, pull wires out of connectors at ends of board.



**4)** Starting at end without connected wires, use stubby flat head crew driver or small tool to lift end of board and slowly scrape board off aluminum extrusion.



**5)** Lift old board from extrusion. Replace with new board, reconnect wires to connectors.

**WARNING:** Ground fixture in according with local and national electrical codes. Failure to do so may result in serious personal injury.

