

Remote Box



INSTALLATION INSTRUCTIONS

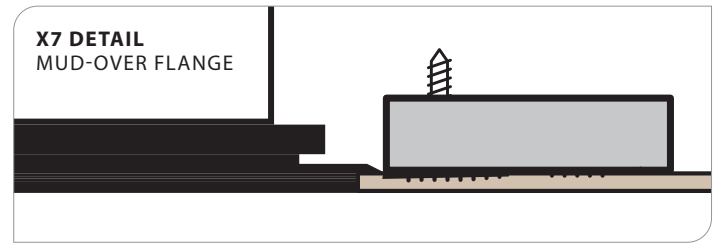
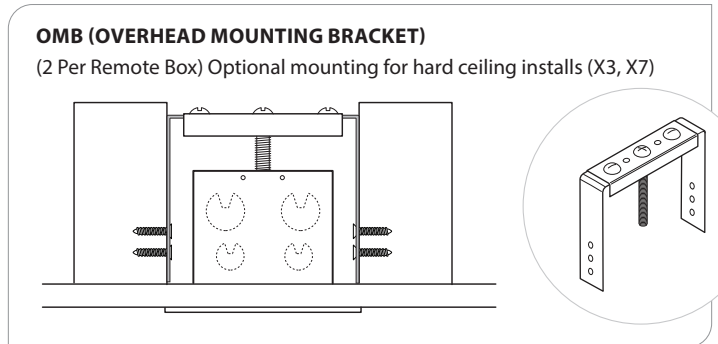
X3 + X7 HARD CEILING

PART	PART NO.	DESCRIPTION
	165145	Overhead Mounting Bracket (OMB) (OPTIONAL)

REMOTE BOX TOP KIT:

X3:	SIZE	PART NO.
	— 2'	135721
	— 4'	165096

X7:	SIZE	PART NO.
	— 2'	166297
	— 4'	166298



(RRB) RECESSED REMOTE BOX COVER:

	SIZE	POWER FEED	INDICATOR LIGHT*	FIXTURE MOUNT	PART NUMBER
	— 2'	0	NO	NO	165053
		1	NO	NO	165055
		0	YES	NO	166214
		0	NO	YES	166215
		1	YES	NO	166216
		0	YES	YES	166217
		1	NO	YES	165057
	— 4'	2	NO	NO	166218
		2	YES	NO	166219
		1	YES	YES	165059
		2	NO	YES	165061
		2	YES	YES	165063
		0	NO	NO	165054
		1	NO	NO	165056
0	YES	NO	166220		
0	NO	YES	166221		
1	YES	NO	166222		
0	YES	YES	166223		
1	NO	YES	165058		
2	NO	NO	166224		
2	YES	NO	166225		
1	YES	YES	165060		
2	NO	YES	165062		
2	YES	YES	165064		

*Indicator Light is used for EMHE & ETS

WARNING: Ground fixture in accordance with local and national electrical codes. Failure to do so may result in serious personal injury. Fixture Installations should ONLY be done by a qualified licensed electrical professional.

Remote Box



PRUDENTIAL LTG.

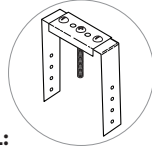
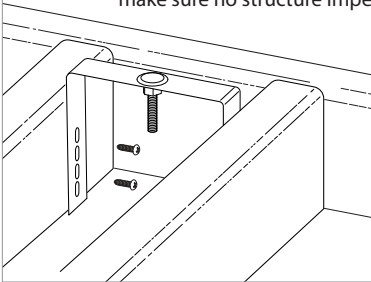
PRULITE.COM 213.746.0360

INSTALLATION INSTRUCTIONS

X3 + X7 HARD CEILING

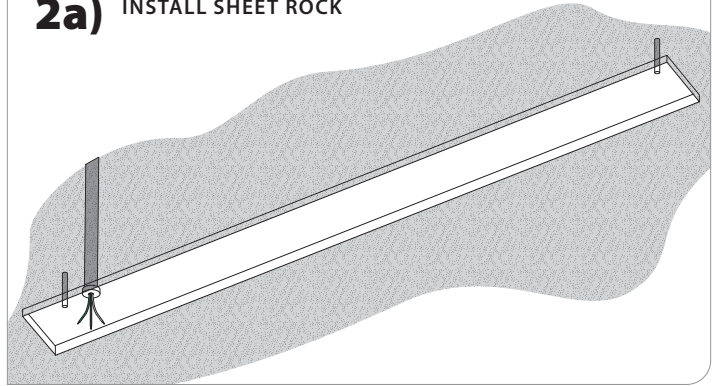
1) ROUGH ELECTRICAL

- Run/position flex close to each box potential location.
- If fixtures are in a row, you can jump from box to box, make sure no structure impedes wire routing.

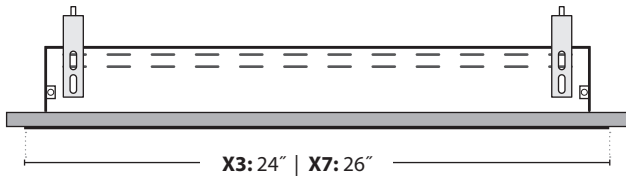
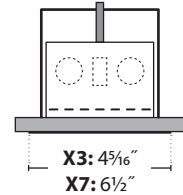
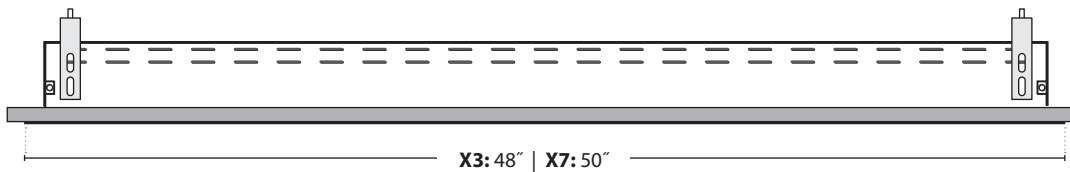


OPTIONAL:
Screw Overhead Mounting bracket to joist (screws by others). Install rough-electrical.

2a) INSTALL SHEET ROCK



2b) Make sure cut dimensions according to chart.

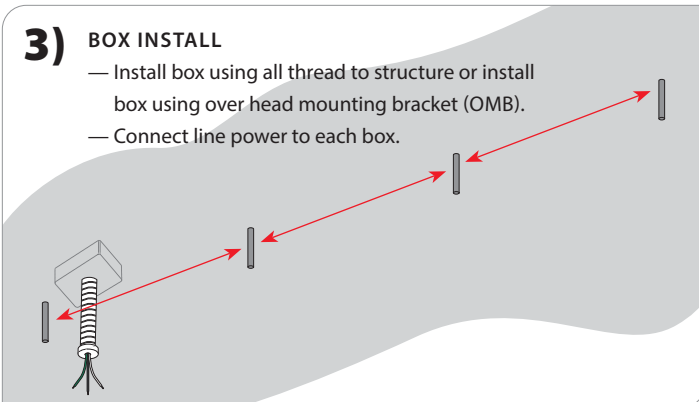


DRYWALL CUT:

	WIDTH	LENGTH
X3+X7 2'	4"	23 ³ / ₄ "
	4"	47 ³ / ₄ "

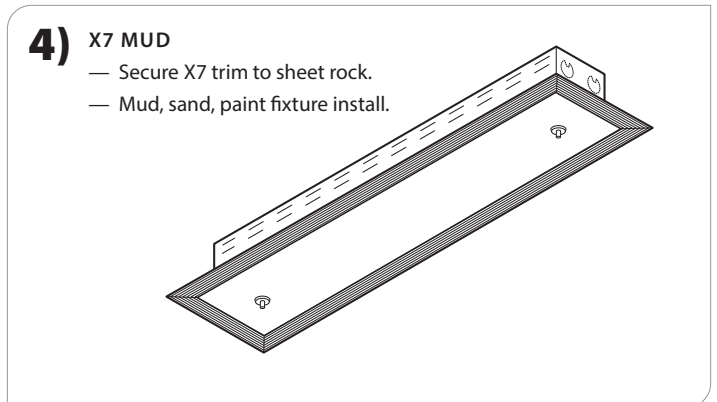
3) BOX INSTALL

- Install box using all thread to structure or install box using over head mounting bracket (OMB).
- Connect line power to each box.



4) X7 MUD

- Secure X7 trim to sheet rock.
- Mud, sand, paint fixture install.



WARNING: Ground fixture in accordance with local and national electrical codes. Failure to do so may result in serious personal injury. Fixture Installations should ONLY be done by a qualified licensed electrical professional.

Power Feed

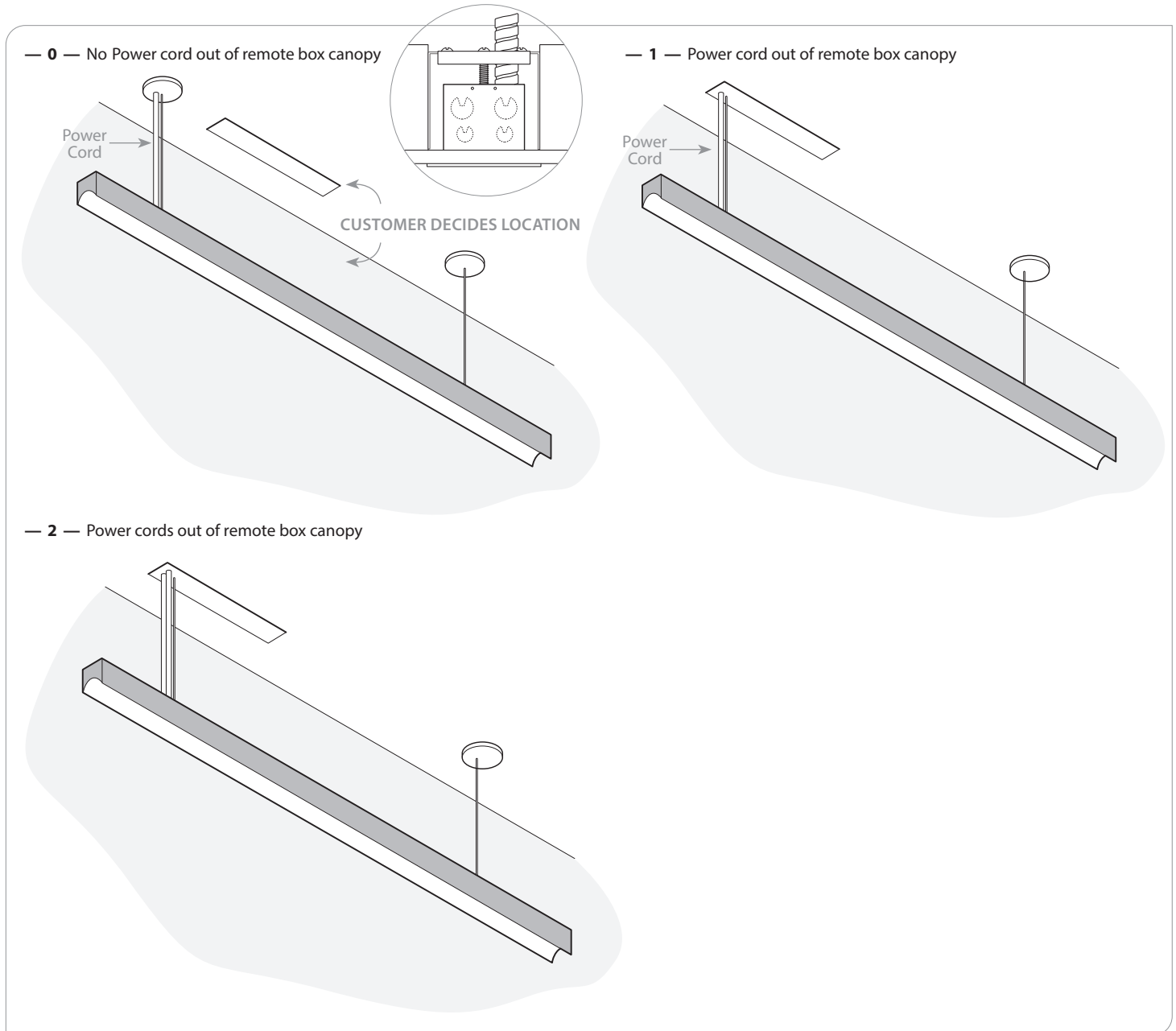


PRUDENTIAL LTG.

PRULITE.COM 213.746.0360

INSTALLATION INSTRUCTIONS

X3 + X7 HARD CEILING



WARNING: Ground fixture in accordance with local and national electrical codes. Failure to do so may result in serious personal injury.