

# Remote Box

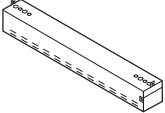

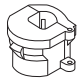


PRUDENTIAL LTG.

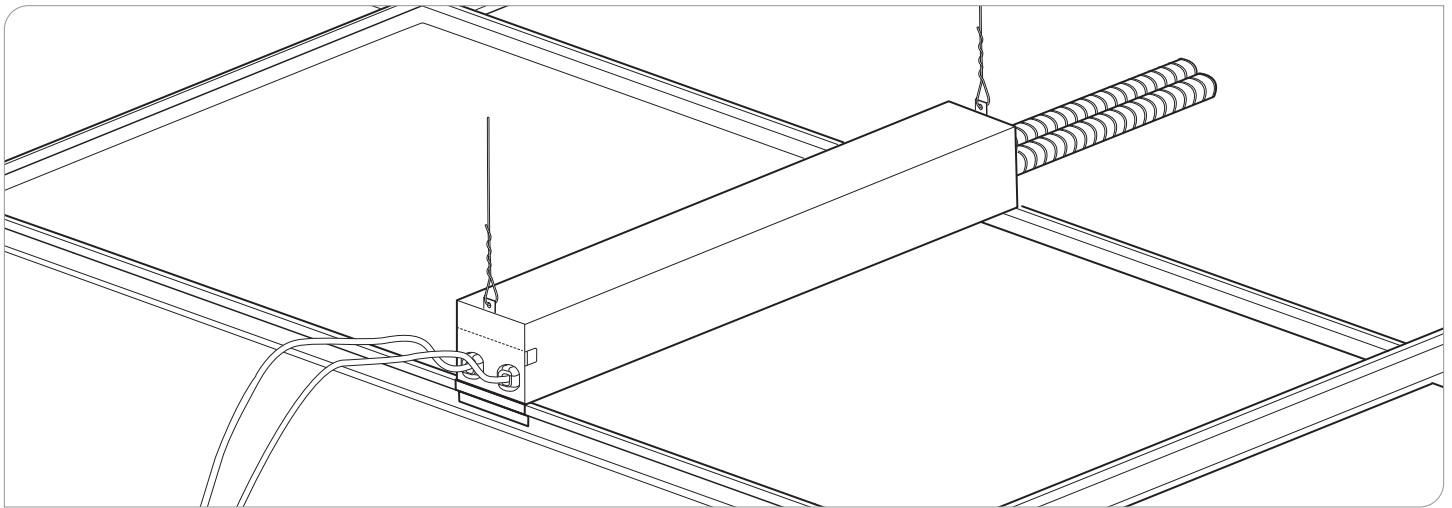
PRULITE.COM 213.746.0360

## INSTALLATION INSTRUCTIONS

### X1 T-BAR GRID

PART	SIZE	PART NO.	DESCRIPTION
<b>REMOTE BOX TOP KIT:</b>			
	2'	135721	Recessed Remote Box (with Lid)
	4'	165096	
		100-00326-14	White Heyco Strain Relief

### EXPLODED VIEW



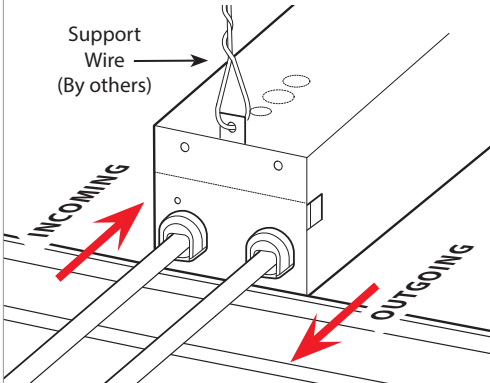
**WARNING:** Ground fixture in accordance with local and national electrical codes. Failure to do so may result in serious personal injury. Fixture Installations should ONLY be done by a qualified licensed electrical professional.



## X1 T-BAR GRID

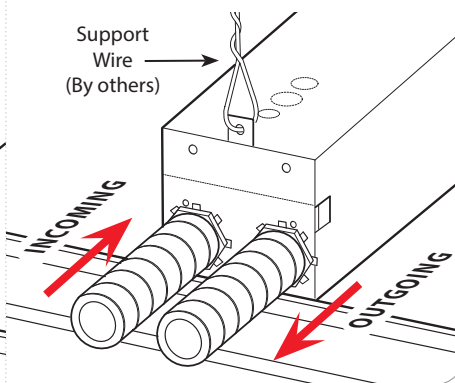
### 1) LINE VOLTAGE PLENUM

Connect incoming line voltage with plenum rated cord (by others) to box. —  
Not for use in HVAC areas  
**FOR MULTIPLE BOXES:** Connect outgoing line voltage with plenum rated cord.



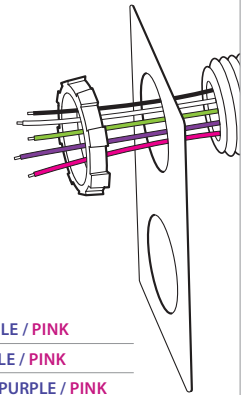
### PLENUM

Connect incoming line voltage with flex (by others) to box.  
**FOR MULTIPLE BOXES:** Connect outgoing line voltage with flex (by others).



### 2)

Bring flex into box via KO, and connect correct wires as directed below.

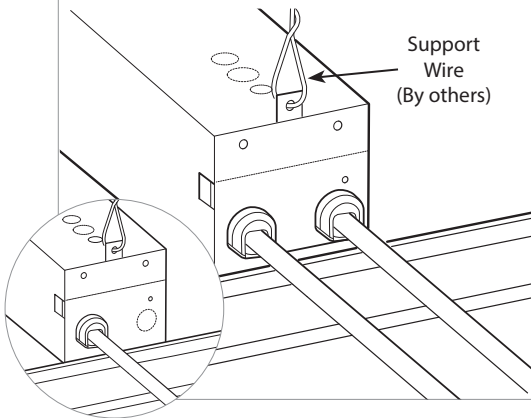


#### WIRING:

- 0-10v (+/-) : PURPLE / PINK
- DALI (+/-) : PURPLE / PINK
- EcoSystem DALI (+/-) : PURPLE / PINK
- HOT : BLACK
- NEUTRAL : WHITE
- GROUND : GREEN
- CONSTANT HOT (EM) / DIMMING : RED
- EXTRA HOT / DIMMING : BLUE
- EXTRA HOT / DIMMING : ORANGE

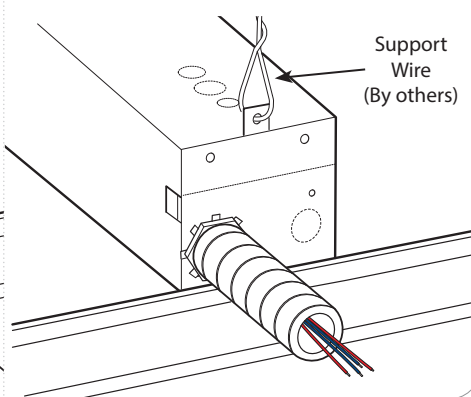
### 3) LOW VOLTAGE PLENUM

Use 8' cable provided to connect box to fixture mount bar.



### PLENUM

For plenum use flex or plenum rated cord to connect box to fixture mount bar.



**WARNING:** Ground fixture in accordance with local and national electrical codes. Failure to do so may result in serious personal injury. Fixture Installations should ONLY be done by a qualified licensed electrical professional.