

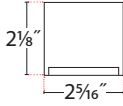
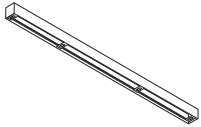
# Remote Box



## INSTALLATION INSTRUCTIONS

### SURFACE WITH DECO REMOTE BOX (DBS/DBD)

#### SINGLE — DBS



SIZE	LEFT KO	RIGHT KO	PART NUMBER	SIZE	LEFT KO	RIGHT KO	PART NUMBER
— 2'	NO	NO	166257	— 4'	NO	NO	166261
	YES	NO	166258		YES	NO	166262
	NO	YES	166259		NO	YES	166263
	YES	YES	166260		YES	YES	166264

#### SINGLE — DBS REMOTE BOX COVER:

SIZE	POWER FEED	INDICATOR LIGHT	FIXTURE MOUNT	PART NUMBER	
— 2'	0	NO	NO	165103	
	1	NO	NO	165105	
	0	YES	NO	166271	
	0	NO	YES	166272	
	1	YES	NO	166273	
	0	YES	YES	166274	
	1	NO	YES	165107	
	2	NO	NO	166275	
	2	YES	NO	166276	
	1	YES	YES	166109	
	2	NO	YES	165111	
	2	YES	YES	165113	
	— 4'	0	NO	NO	166277
		1	NO	NO	166278
0		YES	NO	166279	
0		NO	YES	166280	
1		YES	NO	165104	
0		YES	YES	166281	
1		NO	YES	165106	
2		NO	NO	166282	
2		YES	NO	165108	
1		YES	YES	165110	
2		NO	YES	165112	
2		YES	YES	165114	

**WARNING:** Ground fixture in accordance with local and national electrical codes. Failure to do so may result in serious personal injury. Fixture Installations should ONLY be done by a qualified licensed electrical professional.

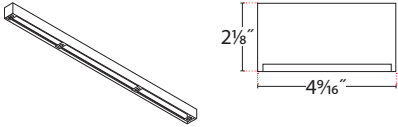
# Remote Box



## INSTALLATION INSTRUCTIONS

### SURFACE WITH DECO REMOTE BOX (DBS/DBD)

#### DOUBLE — DBD



SIZE	LEFT KO 1	LEFT KO 2	RIGHT KO 1	RIGHT KO 2	PART NUMBER	SIZE	LEFT KO 1	LEFT KO 2	RIGHT KO 1	RIGHT KO 2	PART NUMBER
— 2'	NO	NO	NO	NO	166239	— 4'	NO	NO	NO	NO	166248
	YES	NO	NO	NO	166240		YES	NO	NO	NO	166249
	YES	YES	NO	NO	166241		YES	YES	NO	NO	166250
	NO	NO	YES	NO	166242		NO	NO	YES	NO	166251
	NO	NO	YES	YES	166243		NO	NO	YES	YES	166252
	YES	NO	YES	NO	166244		YES	NO	YES	NO	166253
	YES	NO	YES	YES	166245		YES	NO	YES	YES	166254
	YES	YES	YES	NO	166246		YES	YES	YES	NO	166255
	YES	YES	YES	YES	166247		YES	YES	YES	YES	166256

#### DOUBLE — DBD REMOTE BOX COVER:

SIZE	POWER FEED	INDICATOR LIGHT	FIXTURE MOUNT	PART NUMBER	
— 2'	0	NO	NO	165053	
	1	NO	NO	165055	
	0	YES	NO	166214	
	0	NO	YES	166215	
	1	YES	NO	166216	
	0	YES	YES	166217	
	1	NO	YES	165057	
	2	NO	NO	166218	
	2	YES	NO	166219	
	1	YES	YES	165059	
	2	NO	YES	165061	
	2	YES	YES	165063	
	— 4'	0	NO	NO	166277
		1	NO	NO	166278
0		YES	NO	166279	
0		NO	YES	166280	
1		YES	NO	165104	
0		YES	YES	166281	
1		NO	YES	165106	
2		NO	NO	166282	
2		YES	NO	165108	
1		YES	YES	165110	
2		NO	YES	165112	
2		YES	YES	165114	

**WARNING:** Ground fixture in accordance with local and national electrical codes. Failure to do so may result in serious personal injury. Fixture Installations should ONLY be done by a qualified licensed electrical professional.

# Remote Box



PRUDENTIAL LTG.

PRULITE.COM 213.746.0360

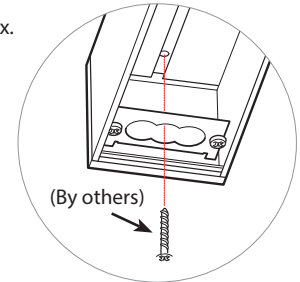
## INSTALLATION INSTRUCTIONS

### SURFACE WITH DECO REMOTE BOX (DBS/DBD)

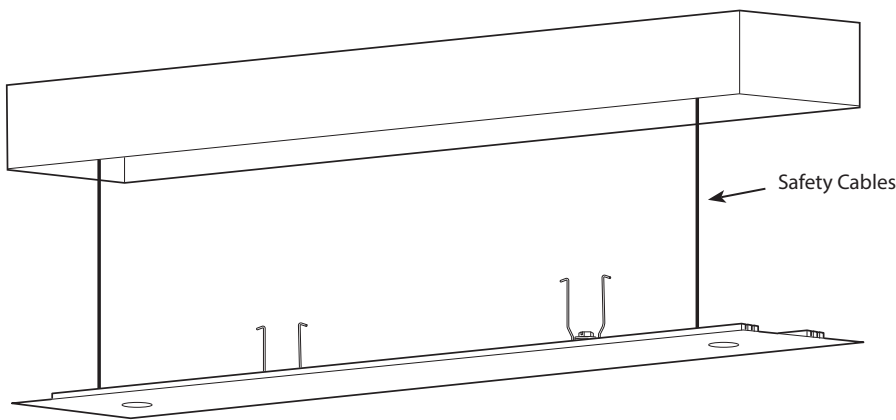
**REQUIRES TWO PEOPLE TO INSTALL**

- 1) Secure remote box using screws and anchors to structure (by others), in drilled out holes on the base of remote box. If the fixture is in a row refer back to layout and dimension charts above.

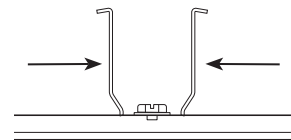
#### SIDE VIEW WITH CEILING



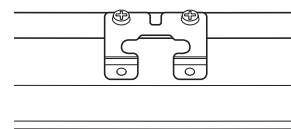
## 2)



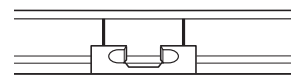
Squeeze spring clip.



Insert spring into bracket.



Position cover and press in.



**WARNING:** Ground fixture in accordance with local and national electrical codes. Failure to do so may result in serious personal injury. Fixture Installations should ONLY be done by a qualified licensed electrical professional.

# Line Voltage Location for Surface Mount

DBS/DBD Only

## INSTALLATION INSTRUCTIONS

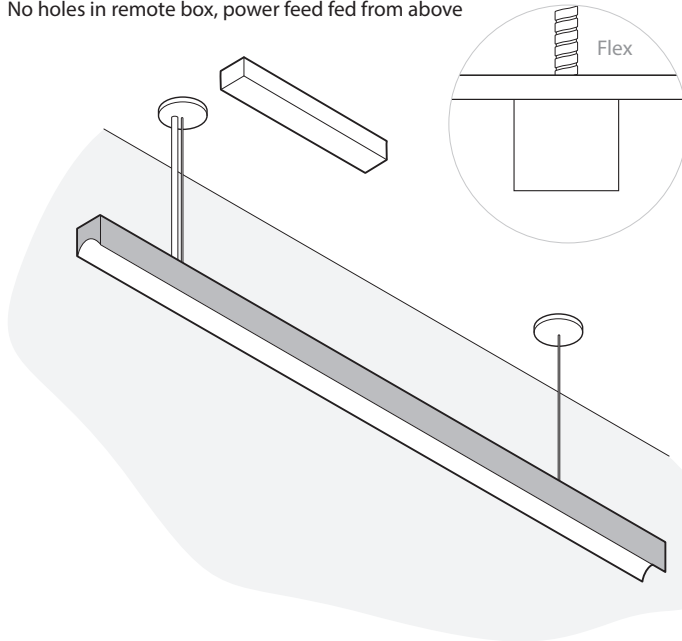


PRUDENTIAL LTG.

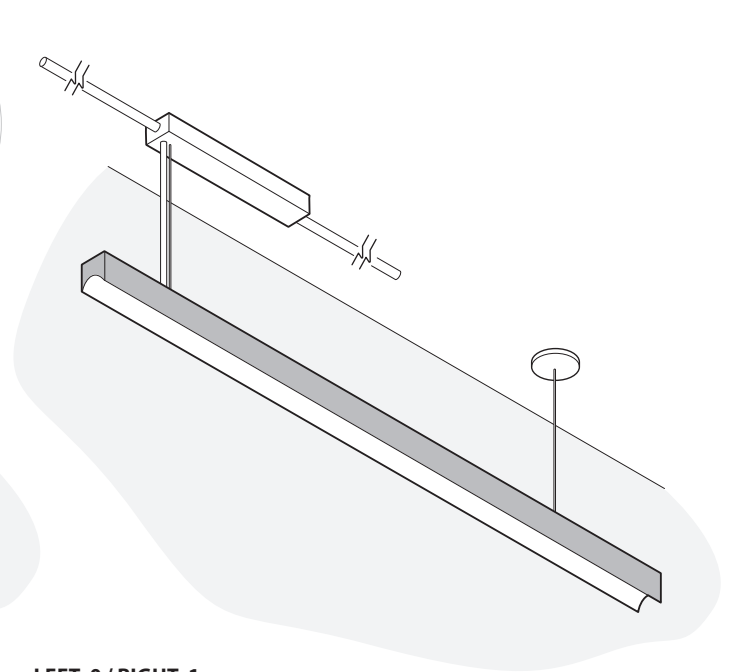
PRULITE.COM 213.746.0360

### LEFT: 0 / RIGHT: 0

No holes in remote box, power feed fed from above

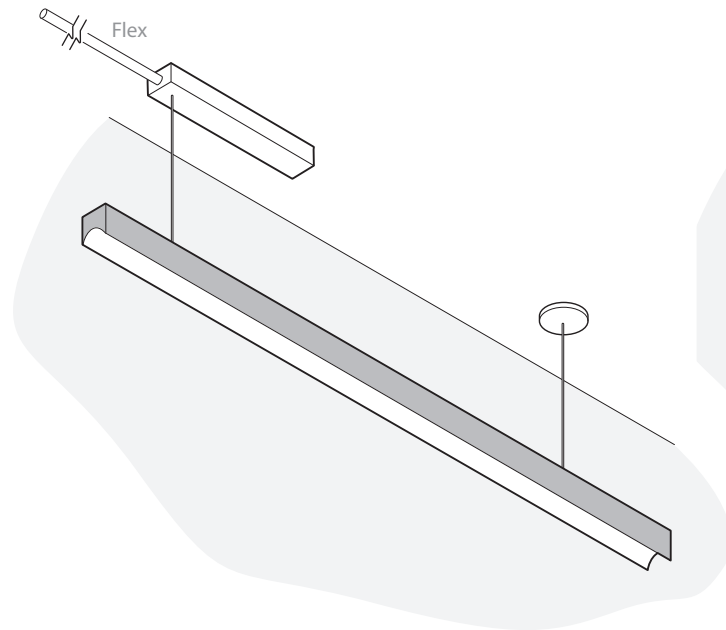


### LEFT: 1 / RIGHT: 1



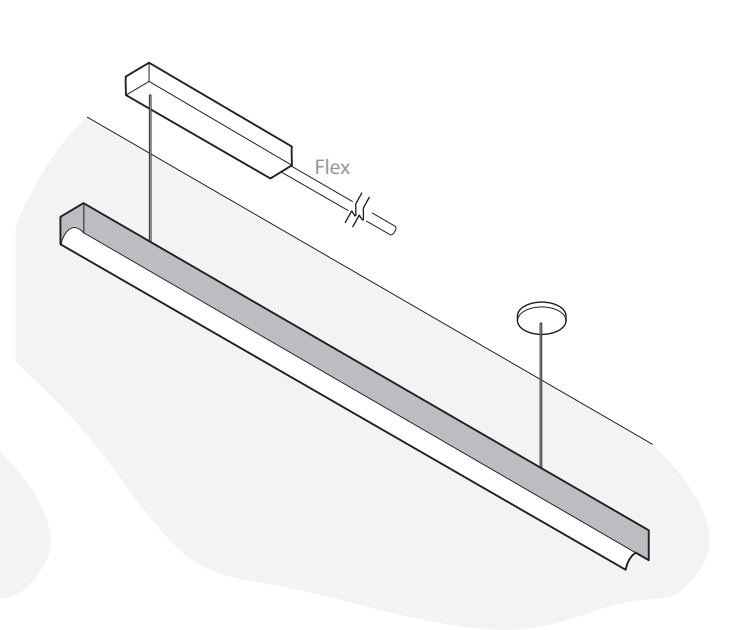
### LEFT: 1 / RIGHT: 0

Fixture cable hung from remote box, flex to LEFT  
(typically for concrete ceilings)



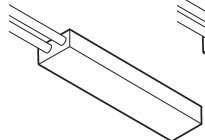
### LEFT: 0 / RIGHT: 1

Fixture cable hung, flex to RIGHT of cable

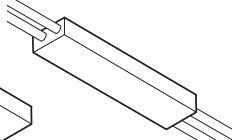


**NOTE:** DBD will be needed for most driver + Emergency, two power feeds possible L2 (left) or R2 (right) side.

### LEFT: 2 / RIGHT: 0



### LEFT: 2 / RIGHT: 2



**WARNING:** Ground fixture in accordance with local and national electrical codes. Failure to do so may result in serious personal injury. Fixture Installations should ONLY be done by a qualified licensed electrical professional.