



MicroWash™ | Asymmetric Wall Wash

Integral Driver



PRUDENTIAL LTG.

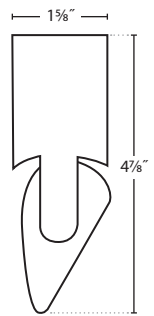
PRULITE.COM 213.746.0360



MW
Integral Driver

Type:

Job:



Small, but mighty effective.

Go, gradient, go. Superior optical performance translates to a smooth, clean gradient of light to wash walls evenly, creating just the right amount of highlight at eye level to subtly pique visual interest. Wall mounted with 250° of tilt, the Wash illuminates vaulted ceilings as well.

Also available with remote driver for a minimal look.

MW-LED35-SO

3499 Delivered Lumens

36 Watts

96 lm/w

3500 CCT

UPTO 102 LMW

	LO	MO	SO	HO
lm/ft	469	698	947	1136
w/ft	4.6	7	10	12

CLICK HERE



Lumen output may vary +/- 5%
3500K used for lm/ft estimates above
4000K +2% llf, 3000K -2%, 2700K -4%
[See LED Details PDF for more info](#)

SERIES	LED COLOR	OUTPUT	NOMINAL LENGTH	COLOR/ FINISH	CIRCUITING	VOLTAGE	MOUNTING	CEILING SYSTEMS	DRIVERS	OPTIONS
MW										
Integral Driver	LED27 2700K (90CRI) LED3 3000K LED35 3500K LED4 4000K LED3-90 90CRI LED35-90 90CRI LED4-90 90CRI	LO Low MO Medium SO Standard HO High PROG Programmable Light Output (Specify desired lm/ft or w/ft)	1' (Consult factory, 1' not available in individual with LO) 2' 3' 4' 6' 7' 8' R (Row length, 1' increments)	TMW Textured Matte White (Standard) YGW Gloss White Y Premium Color CC Custom Color NOTE: All canopies are painted the same color as the fixture. Consult factory to specify	SC Single Circuit	UNV (120-277) 347 (Emergency battery requires a Step Down transformer)	SUR Surface Mount (For X1 & X6 2x fan/fixture mounts will be required, by others) CA48", 96" or 144" Aircraft Cable (Adjustable) SSC Swivel Stem Mount (Specify length) WRM Wall Arm (Max 24" from wall)	X1* T-Bar 1 1/16" or 1/16" Exposed (Standard) Consult factory for 1/16" Tegular X3 Hard Ceiling X6* Slot Grid or Interlude *For SUR 2x fan/fixture mounts will be required, by others	ND Non-Dimming DM10 0-10v, 10% Dimming (Standard) DM01 0-10v, 1% Dimming STEP Step Dimming, 100-50-Off, Osram NOTE: Lumens and watts per foot may differ for STEP drivers, consult factory LDE5 5-Series EcoSystem LED LDE1 Hi-lume 1% EcoSystem LED (Soft fade on, fade-to-black dimming) LTE Hi-lume 1% 2-Wire LED Driver (120V forward phase only) ECO 1% 0-10v, EldoLED (Logarithmic dimming std) ECDA 1% DALI, EldoLED (Logarithmic dimming std) SOLO 0.1% 0-10v, EldoLED (Dim-to-dark, Logarithmic dimming std) SODA 0.1% DALI, EldoLED (Dim-to-dark, Logarithmic dimming std)	EML* Emergency Battery, Low (900 delivered lumens) EMH* Emergency Battery, High (1250 delivered lumens) *MW Integral <4' - Remote Only PRUBIN Meticulous Binning and Labeling every LED Board within a 2-Step MacAdams Ellipse



Prudential Ltg. reserves the right to change design specifications or materials without notice. Please visit prulite.com for most current data.
© 2014 All rights reserved - All products manufactured at: Prudential Ltg. 1774 E. 21st Street, Los Angeles, CA 90058

Asymmetric

1

10-10-2019



MicroWash™ | Asymmetric Wall Wash

Integral Driver



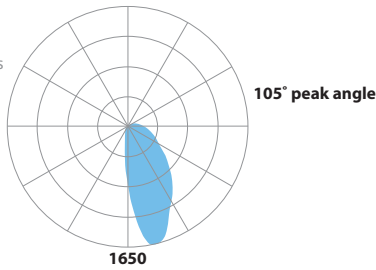
PRUDENTIAL LTG.

PRULITE.COM 213.746.0360

PHOTOMETRICS

Standard Output:

MW-LED35-50
 4269 Delivered Lumens
 47 Watts
 91 lm/w
 3500 CCT
 Test #L041502001R02



Zonal Lumen Summary:

0-90 = 88.50%
 90-180 = 10.50%

Vertical Angle	110°	125°	145°	165°	180°
0°	1190	1190	1190	1190	1190
5°	1303	1588	1801	1931	1862
15°	1477	2478	2796	2830	2837
25°	1617	2644	2476	2285	2249
35°	1650	2061	1795	1775	1776
45°	1479	1413	1389	1442	1457
55°	954	985	1119	1221	1244
65°	471	705	871	973	999
75°	232	495	664	773	796
85°	106	360	527	634	669
90°	65	314	477	584	610
95°	40	272	427	530	552
100°	21	234	383	477	495
115°	5	129	250	320	336
125°	6	60	161	220	233
135°	7	10	74	123	134
145°	9	9	11	33	39
155°	11	10	10	10	10
165°	12	12	10	11	11
175°	9	13	13	13	13
180°	7	7	7	7	7

LUMEN MAINTENANCE

Designed to last with cool running mid-power LEDs projected to maintain 90% (L90) of their initial output for 100,000 hours (at HO), and L70 exceeding 150,000 hours.

LED SYSTEM

LED modules and drivers are field replaceable.

PROG (OPTIONAL)

Programmable light output. Specify desired lumens or watts per linear foot. Min: 2½ w/ft, consult factory for requests above 12 w/ft.

BINNING

Standard binning (all Prudential LED boards) includes testing at the chip level and board integration to provide consistent color temperature within a 3-step MacAdams ellipse. +/- 100 lumens, +/- 100k CCT and +/- .004 Duv.

PRUBIN™ (OPTIONAL)

Prudential Ltg's exclusive 'job binning' method that ensures color temperature consistency across all luminaires on a project. Meticulously testing and labeling **EVERY LED BOARD** to +/- 25 lumens, +/- 50k CCT and +/- .004 Duv — while also separating positive from negative — allows us to match color, hue and intensity throughout a project and provides a consistent color temperature within a 2-step MacAdams ellipse.

LABELS

ETL damp labeled and I.B.E.W. manufactured.

ELECTRICAL

Must specify LED dimming controls. LED fixtures have constant current driver(s) with less than 20% THD when loaded to a minimum of 60%. Drivers sink a maximum of 6mA per driver. DM10 LED drivers are 0-10V dimmable and are compatible with most 0-10V wall slide dimmers and direct 0-10V analog signal dimmers. Max driver size 1¼" w x 1" h.

CONSTRUCTION

Housing Extruded aluminum >25% PC recycled, 100% recyclable.

End Caps Die-formed heavy gauge aluminum, >25% PC recycled, 100% recyclable.

Lens Extruded acrylic with PruOptics™ prisms, 100% recyclable.

MOUNTING

Surface, cable or stem mounted to walls or ceilings.

WEIGHT

2.2 lbs/ft (Integral).

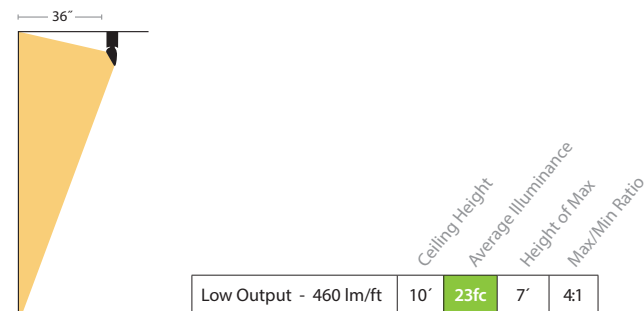
WARRANTY

Single-source, 5 year limited warranty covers standard components and construction.

MicroWash Room Application.

VERTICAL UNIFORMITY

Through PruOptics™ we are able to achieve excellent light distribution down a wall to highlight artwork or the wall itself. 30" - 36" distance from wall surface recommended for best results.



10'	18	18	18
9'	33	33	33
8'	45	45	45
7'	46	46	46
6'	37	37	37
5'	29	29	29
4'	22	22	22
3'	18	18	18
2'	15	15	15
1'	12	12	12

CALCULATION NOTES:

- MW-LED35-LO
- 3500K at 4.5 w/ft
- 96 lm/w
- .8 LLF (Light Loss Factor)
- 36" set back

FOOTCANDLES ON WALL



Prudential Ltg. reserves the right to change design specifications or materials without notice. Please visit prulite.com for most current data.
 © 2014 All rights reserved - All products manufactured at: Prudential Ltg. 1774 E. 21st Street, Los Angeles, CA 90058

Asymmetric

2

10-10-2019



MicroWash™ | Asymmetric Wall Wash

Integral Driver



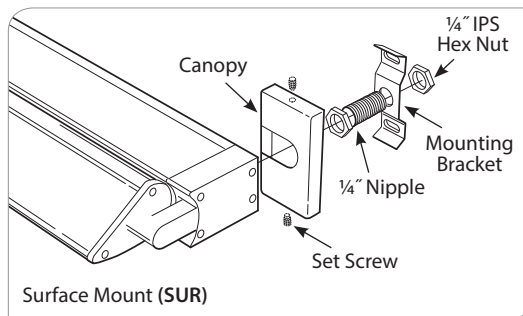
PRUDENTIAL LTG.

PRULITE.COM 213.746.0360

YSW – Seashell White (Matte)	YCH – Champagne (Metallic)
YSL – Silver (Metallic)	YPE – Pewter (Matte)
YRG – Rain Grey (Gloss)	YSTM – Storm Grey (Matte)
YBK – Black (Matte)	YBB – Black (Semi Gloss)
YSKM – Sky (Matte)	YMB – Military Blue (Matte)
YIB – Interstate Blue (Matte)	YSAM – Sapphire (Matte)
YFGM – Forest Green (Matte)	YBR – Bronze (Matte)
YBY – Boysenberry (Matte)	YSRM – Sunset Red (Matte)
YOR – Orange (Matte)	YDAM – Daffodil (Matte)

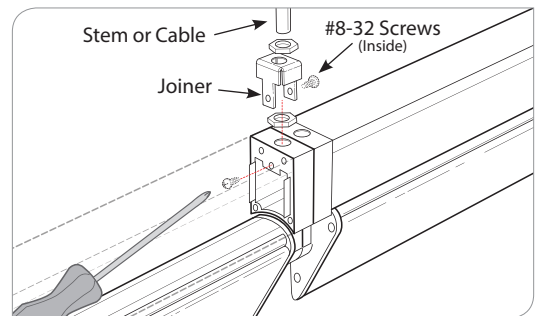


MOUNTING OPTIONS



Surface Mount (SUR)

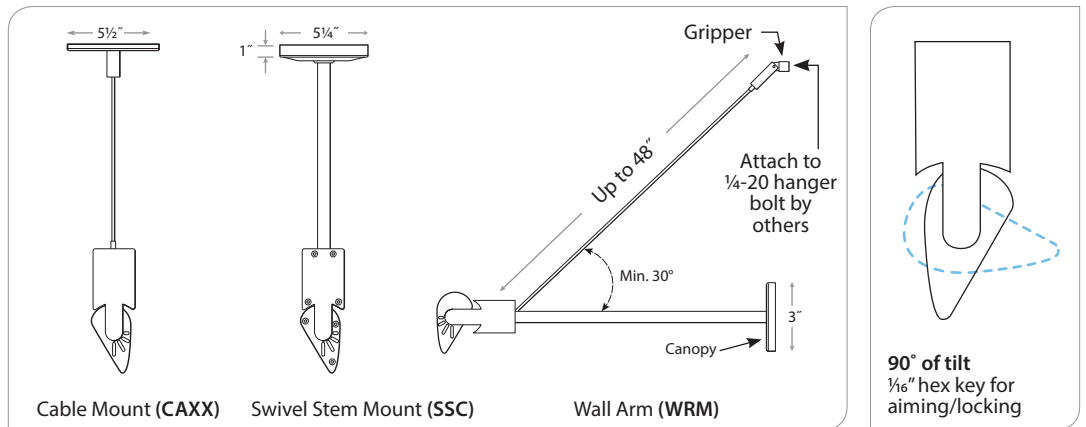
ADJOINING DETAIL



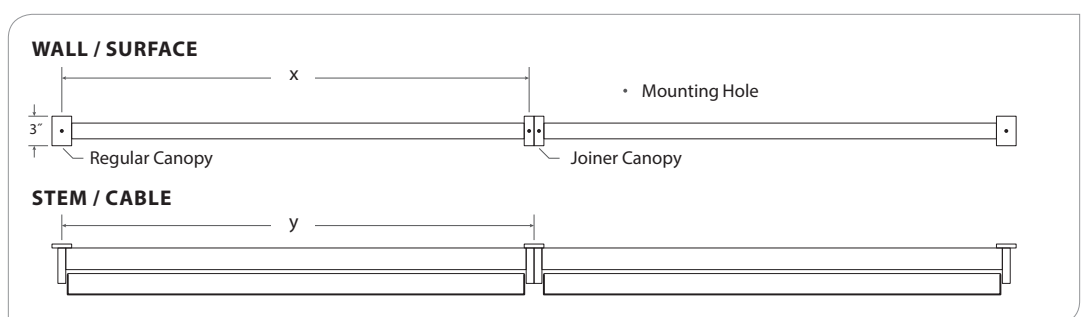
NOTE: For MicroWash surface mounting to T-Bar, the Erico Caddy (by others) can be used for off-grid mounting.
www.erico.com/part.asp?part=512HDFM70&applications=acoustical#cata

Choose from one of our Premium Colors with no set-up fee.

For paint chip samples, please email: info@prulite.com



MOUNTING LOCATIONS



	Mounting Holes		Actual Fixture Length
	X	Y	
1' =	13 1/4"	13 3/8"	14"
2' =	23 3/4"	24 1/8"	24 1/2"
3' =	35 1/4"	35 5/8"	36"
4' =	47 1/4"	47 5/8"	48"
6' =	71 1/4"	71 5/8"	72"
8' =	95 1/4"	95 5/8"	96"



Prudential Ltg. reserves the right to change design specifications or materials without notice. Please visit prulite.com for most current data.
 © 2014 All rights reserved – All products manufactured at: Prudential Ltg. 1774 E. 21st Street, Los Angeles, CA 90058

Asymmetric

3

10-10-2019