

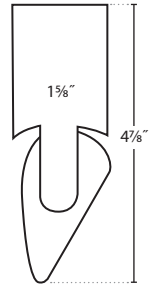
MicroWashPro™ | Asymmetric Wall Wash

Integral Driver



PRUDENTIAL LTG.

PRULITE.COM 213.746.0360



Small, but mighty effective.

Go, gradient, go. Superior optical performance translates to a smooth, clean gradient of light to wash walls evenly, creating just the right amount of highlight at eye level to subtly pique visual interest. Wall mounted with 250° of tilt, the Wash illuminates vaulted ceilings as well.

Also available with remote driver for a minimal look.

Low Output:
MW-PRO-LED35-LO
 1777 Delivered Lumens
 15 Watts
 122 lm/w
 3500 CCT

UPTO **122** LPW

SMART SPECS

	LO	MO	SO	HO
lm/ft	445	765	1065	1350
w/ft	3.75	6.5	9.4	12.5
PRUHUES: BLU, TU, TU2, AMB + CHR				
lm/ft	300	400	515	650
w/ft	3.6	5	6.4	8.3

TUNABLE WHITE AVAILABLE:

Lumen output may vary +/- 5%
Light Loss Factor (LLF) for CCTs other than 3500K:
 4000K +2%, 3000K -5%, 2700K -20%
 90 CRI -15% (3K, 3500K, 4K & 5K)

SE-RIES	LED COLOR	OUT-PUT	NOMINAL LENGTH	COLOR/ FINISH	CIRCU-ITING	VOLTAGE	MOUNTING	CEILING SYSTEMS	DRIVERS	OPTIONS
MW-PRO					SC					
Micro-Wash Pro Integral Driver	LED27 2700K (90CRI) LED3 3000K LED35 3500K LED4 4000K LED3-90 3000K (90CRI) LED35-90 3500K (90CRI) LED4-90 4000K (90CRI) LED5-90 5000K (90CRI) PRUHUES: STATIC: BLU3S, BLU35S, BLU4S DYNAMIC: BLU3D*, BLU35D*, BLU4D* * Dynamic BIOS, SkyBlue spike can be dimmed, CCT warms slightly TU TuHue 2700-6500K TunableWhite TU2 TuHue 2200-5000K TunableWhite AMB AmberHue Warm Dim 2200K-5000K CHR ChromaHue RGBW (DIMX at HO only)	LO Low MO Medium SO Standard HO High PROG Programmable Light Output (Specify desired lm/ft or w/ft)	1' (Consult factory, 1' not available in individual with LO) 2' 3' 4' 5' 6' 7' 8' R (Row length, 1' increments) NOTES: Long rows are typically made up of 8' fixtures (ending with a shorter fixture as needed), if symmetrical fixture lengths in a row are desired please consult factory Individual fixtures are not intended for row mounting	TMW Textured Matte White (Standard) YGW Gloss White Y Premium Color CC Custom Color LUXE METALLICS: YBZ Bronze YCP Copper Penny YGN Gold Nugget Nugget NOTE: For LUXE finishes, Stem and Canopy are White (TMW) unless specified otherwise.	SC Single Circuit	UNV (120-277) 347 (Emergency battery requires a Step Down transformer)	SUR Surface Mount (For X1 & X6 [1] fan fixture mount [by others] per mounting location [required]. See installation instructions) CA48", 96" or 144" Aircraft Cable (Adjustable) SSC Swivel Stem Mount (Specify length) WRM Wall Arm (Max 24" from wall)	X1* T-Bar 1 5/16" or 3/16" Exposed (Standard) Consult factory for 3/8" Tegular X3 Hard Ceiling X6* Slot Grid or Interlude * For SUR [1] fan fixture mount [by others] per mounting location [required]. See installation instructions	ND Non-Dimming DM01 0-10v, 1% Dimming (Standard) LDE1 Hi-Lume 1% EcoSystem LED (Soft fade on, fade-to-black dimming) X3 Hard Ceiling ECO 1% 0-10v, EldoLED (Logarithmic dimming std) ECDA 1% DALI, EldoLED (Logarithmic dimming std) SOLO 0.1% 0-10v, EldoLED (Dim-to-dark, Logarithmic dimming std) SODA 0.1% DALI, EldoLED (Dim-to-dark, Logarithmic dimming std) PRUHUES: E10V 2 Channel Color Control EDALI 2 Channel Color Control EDMX ChromaHue or Static White	EMHE CA T20 Emergency Battery (1200 Delivered lumens, CA Title 20 compliant) ETS-DR Iota ETS-DR Emergency Transfer Switch PruTune Wall Device (EDALI driver only, one PruTune device for each zone)

MicroWashPro™ | Asymmetric Wall Wash

Integral Driver



PRUDENTIAL LTG.

PRULITE.COM 213.746.0360

PHOTOMETRICS

Low Output:

MW-PRO-LED35-LO

1777 Delivered Lumens

15 Watts

122 lm/w

3500 CCT

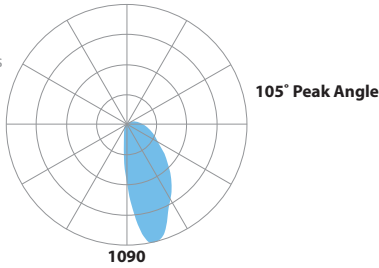
Test

#104283100LAX-001

Zonal Lumen Summary:

0-90 = 90.5%

90-180 = 9.5%



Vertical Angle	110°	125°	145°	165°	180°
0°	436	436	436	436	436
5°	656	648	584	511	436
15°	1090	1067	938	674	416
25°	1056	1062	1053	816	380
35°	846	865	936	857	330
45°	653	652	702	755	269
55°	547	527	502	536	195
65°	444	422	370	322	113
75°	340	324	268	181	45
85°	260	241	192	106	7
90°	228	209	160	82	0
95°	202	183	134	63	0
100°	180	160	114	48	0
115°	119	104	68	13	0
125°	86	72	33	0	0
135°	53	36	10	0	0
145°	20	9	0	0	0
155°	0	0	0	0	0
165°	0	0	0	0	0
175°	0	0	0	0	0
180°	0	0	0	0	0

LUMEN MAINTENANCE

L70 — 200,000+ Hours

L90 — 100,000+ Hours (LO, MO & SO)

L90 — 60,000+ Hours (HO)

LED SYSTEM

LED modules and drivers are field replaceable.

PROG (OPTIONAL)

Programmable light output. Specify desired lumens or watts per linear foot. Min: 2½ w/ft, consult factory for requests above 12 w/ft.

BINNING

Standard binning (all Prudential LED boards) includes testing at the chip level and board integration to provide consistent color temperature within a 3-step MacAdams ellipse. +/- 100 lumens, +/- 100k CCT and +/- .004 Duv.

LABELS

CSA and ETL damp labeled and I.B.E.W. manufactured.

ELECTRICAL

Must specify LED dimming controls. LED fixtures have constant current driver(s) with less than 20% THD when loaded to a minimum of 60%. Drivers sink a maximum of 6mA per driver. DM01 LED drivers are 0-10V dimmable and are compatible with most 0-10V wall slide dimmers and direct 0-10V analog signal dimmers. Max driver size 1¼" w x 1" h.

CONSTRUCTION

Housing

Extruded aluminum >25% PC recycled, 100% recyclable.

End Caps

Die-formed heavy gauge aluminum, >25% PC recycled, 100% recyclable.

Lens

Extruded acrylic with PruOptics™ prisms, 100% recyclable.

Weight

2.2 lbs/ft (Integral).

MOUNTING

Surface, cable or stem mounted to walls or ceilings.

WARRANTY

Single-source, 5 year limited warranty covers standard components and construction.

MicroWash Room Application

VERTICAL UNIFORMITY

Through PruOptics™ we are able to achieve excellent light distribution down a wall to highlight artwork or the wall itself. 30" - 36" distance from wall surface recommended for best results.



10'	18	18	18
9'	33	33	33
8'	45	45	45
7'	46	46	46
6'	37	37	37
5'	29	29	29
4'	22	22	22
3'	18	18	18
2'	15	15	15
1'	12	12	12

CALCULATION NOTES:

- MW-PRO-LED35-LO
- 3500K at 4.5 w/ft
- 96 lm/w
- .8 LLF (Light Loss Factor)
- 36" set back

FOOTCANDLES ON WALL

MicroWashPro™ | Asymmetric Wall Wash

Integral Driver



PRUDENTIAL LTG.

PRULITE.COM 213.746.0360

FINISH COLORS

STANDARD:

TMW — Textured Matte White	YGW — Gloss White
----------------------------	-------------------

PREMIUM:

YSW — Seashell White (Matte)	YRG — Rain Grey (Gloss)
YPE — Pewter (Matte)	YSTM — Storm Grey (Matte)
YBK — Black (Matte)	YBB — Black (Semi Gloss)
YSKM — Sky (Matte)	YMB — Military Blue (Matte)
YSAM — Sapphire (Matte)	YIB — Interstate Blue (Matte)
YBR — Bronze (Matte)	YSRM — Sunset Red (Matte)
YOR — Orange (Matte)	YDAM — Daffodil (Matte)
YFGM — Forest Green (Matte)	YSL — Silver (Metallic)

LUXE METALLICS:

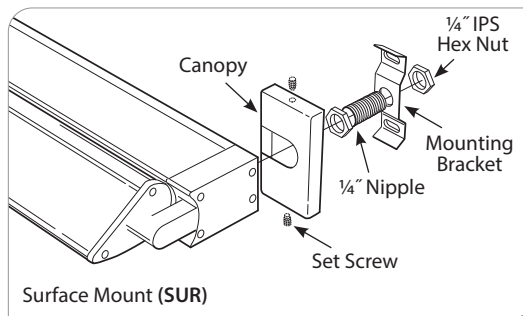
YCP — Copper Penny (Metallic)	YGN — Gold Nugget (Metallic)
YBZ — Bronze (Metallic)	

Choose from one of our Premium Colors with no set-up fee.

For paint chip samples, please email: info@prulite.com

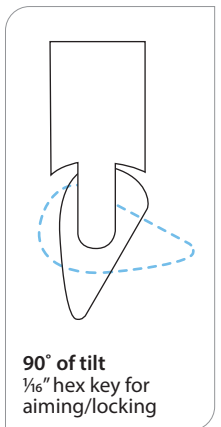
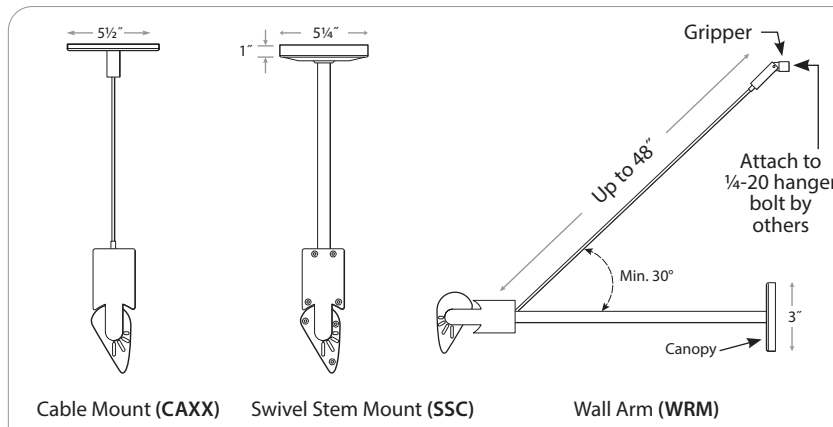
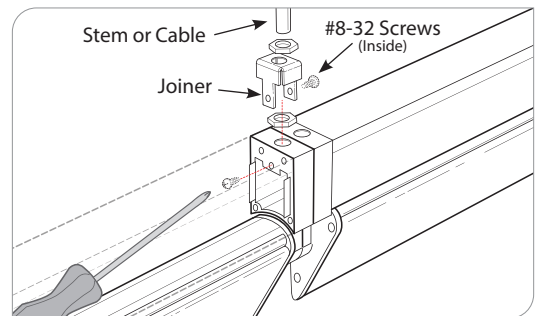


MOUNTING OPTIONS



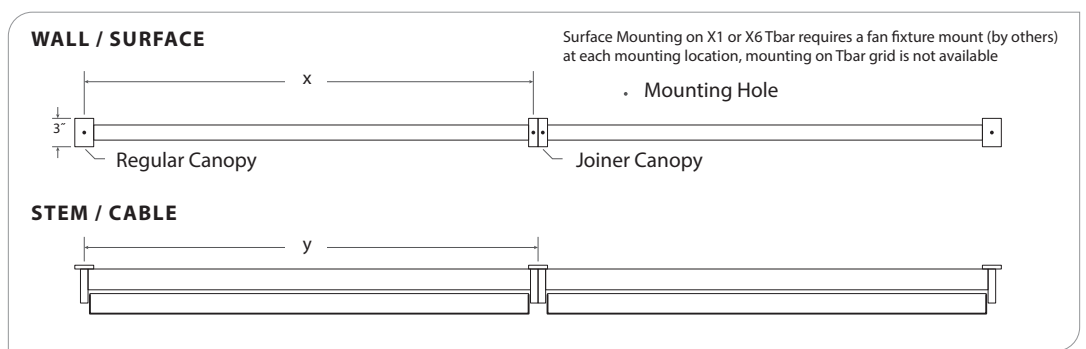
NOTE: For MicroWash surface mounting to T-Bar, the Erico Caddy (by others) can be used for off-grid mounting. www.erico.com/part.asp?part=512HDFM70&applications=acoustical#cata

ADJOINING DETAIL



90° of tilt
1/16" hex key for aiming/locking

	Mounting Holes		Actual Fixture Length
	X	Y	
1' =	13 1/4"	13 5/8"	14"
2' =	23 3/4"	24 1/8"	24 1/2"
3' =	35 1/4"	35 5/8"	36"
4' =	47 1/4"	47 5/8"	48"
5' =	59 1/4"	59 5/8"	60"
6' =	71 1/4"	71 5/8"	72"
8' =	95 1/4"	95 5/8"	96"

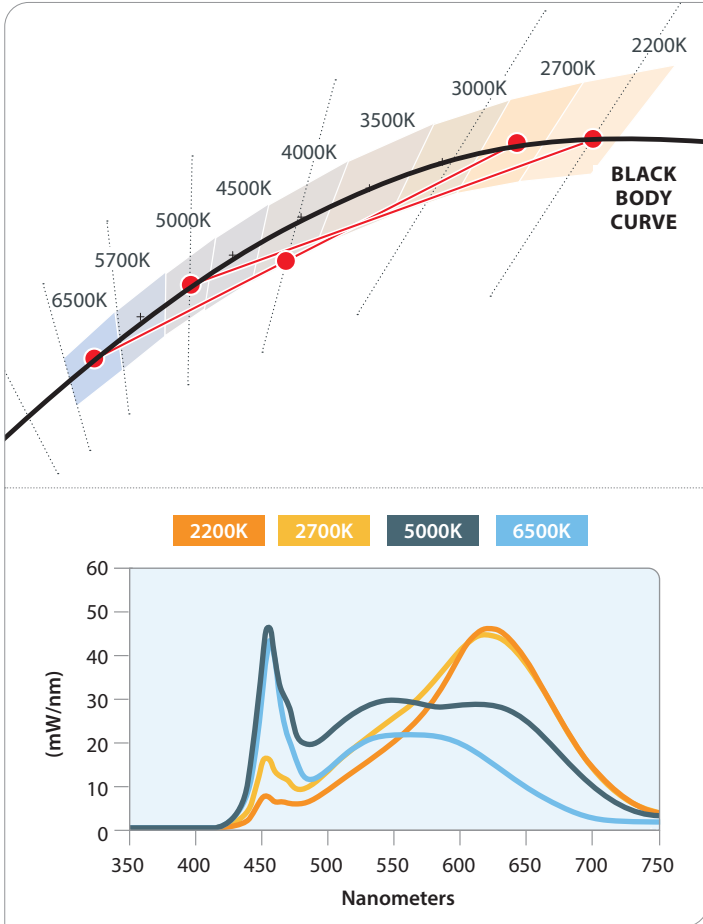


MicroWashPro™ | Asymmetric Wall Wash Integral Driver



Prudential Lighting's **TuHue** Tunable White provides warm to cool white light simulating sunlight. Controlling the light source color temperature offers differing design aesthetics with potential benefits via circadian rhythm support. Blue light for alertness while warm light conveys tranquility.

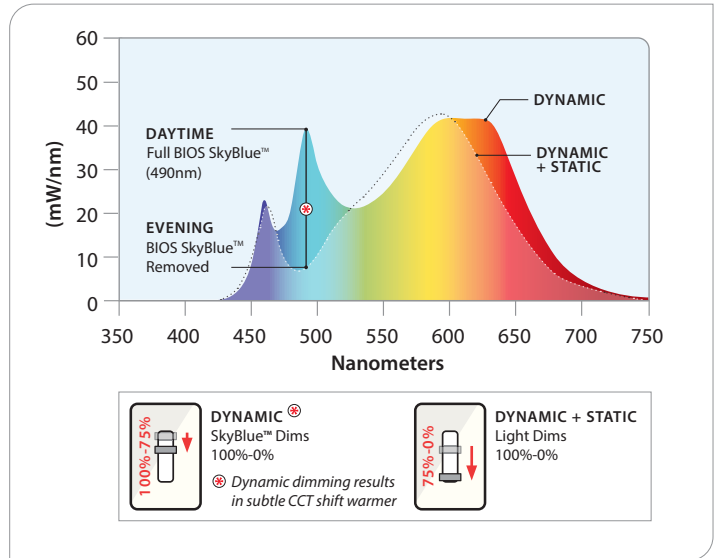
- 2700K-6500K or 2200K-5000K.
- Adjust the color temperature and brightness separately.
- Simulates warm to cool to warm transition of sunlight.



BluHue BIOS SkyBlue™ circadian LED lighting brings the benefits of blue skies inside. Newly discovered blue-sky receptors in our eyes drive improved daytime alertness, mood, brain function, and strengthens circadian rhythms leading to overall better health and well-being.

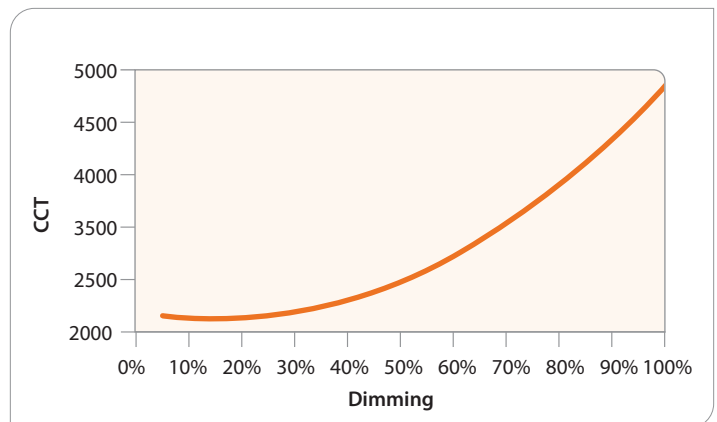


- Circadian rhythms play an integral role in physical and mental health.
- BluHue BIOS SkyBlue pinpoints peak 490nm sensitivity to provide the most benefit from an electric light source.
- At night, simply dim the lights to remove SkyBlue™ wavelengths (specify "Blu_D" to dim Cyan SkyBlue spike separately [night mode]).



AmberHue is Prudential Lighting's Warm Dim offering. It transitions bright white light to warm amber light as brightness is dimmed, reflecting sunlight's transitioning from intense blue midday light to a dimmed golden hue near sunset, also reminiscent of soft glowing candlelight.

- Warm Dim 2200K-5000K.
- Color temperature warms as the luminaire is dimmed.
- Calm, relaxing mood communicated – hospitality, residential feel.



WIRING DIAGRAMS
SPEC

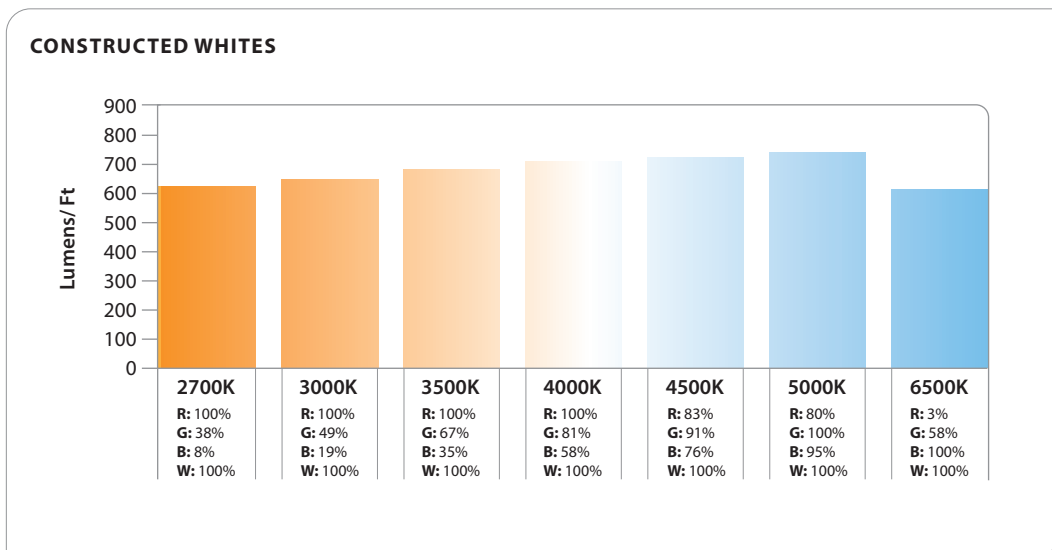
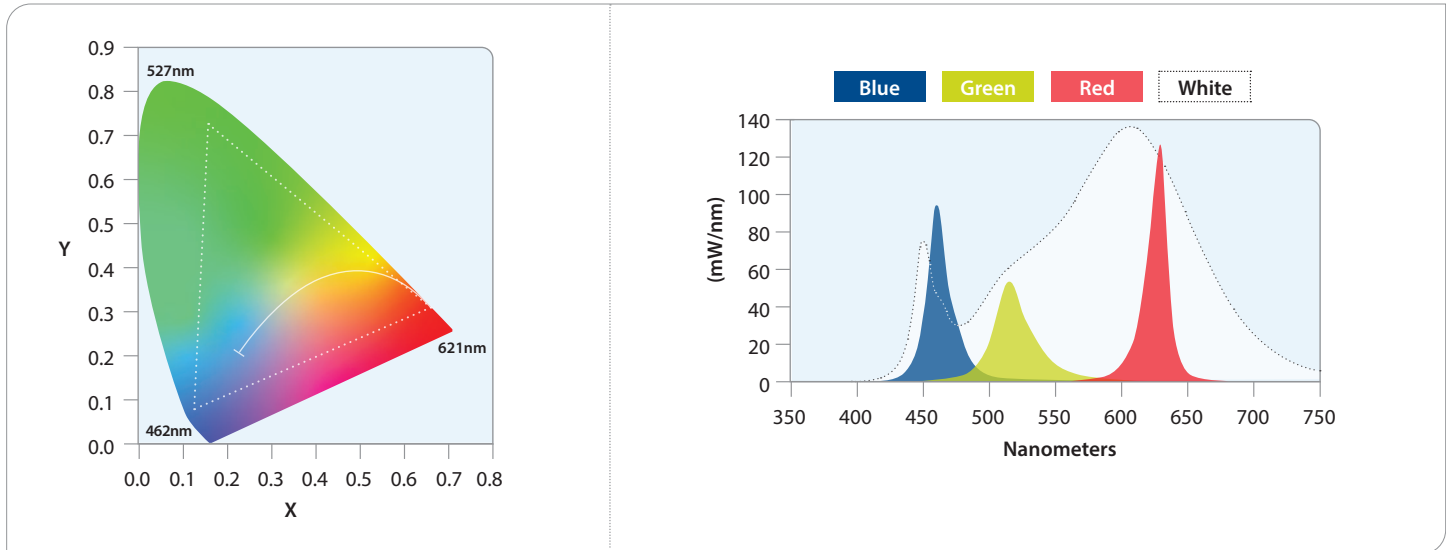


ChromaHue offers a vibrant full gamut of colors for seemingly endless architectural interior applications. Rich color-changing light offers tremendous design flexibility while white light can be achieved with the White chip, or mixing of Red, Green and Blue light. No longer just for the entertainment industry, ChromaHue can be intermixed on MicroCove luminaires for mood-creating indirect illumination combined with static white direct light.



WIRING DIAGRAMS
SPEC

- RGBW LED array (Red, Green, Blue, White) with full spectrum color and white light on the black body curve.
- Four-channel control, DMX drivers.
- Any color point within the triangle can be reached by setting the proper output levels for each individual red, green, blue and white channels.
- Standard DMX is one zone with one XLR drop at start, one XLR return at the end.



MicroWashPro™ | Asymmetric Wall Wash

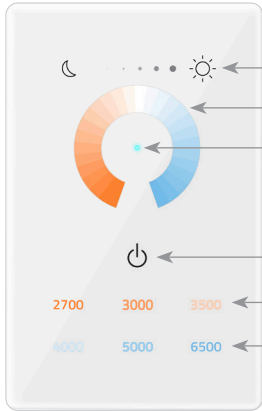
Integral Driver



PRUDENTIAL L T G .

PRULITE.COM 213.746.0360

PRUTUNE WALL DEVICE



BRIGHTNESS: 0.1%-100%

COLOR WHEEL

POWER INDICATOR
RED : OFF
BLUE : ON

ON / OFF

PRESET COLOR TEMPERATURES

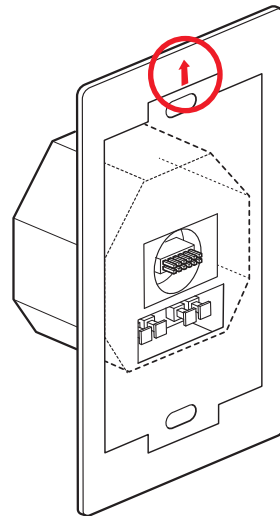
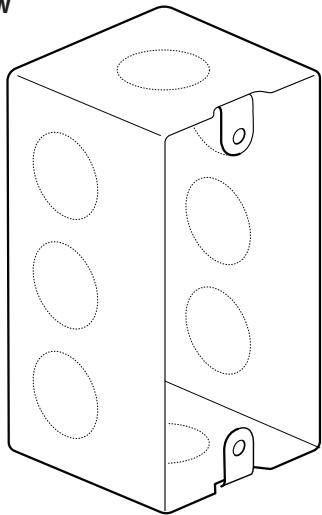
PRUTune DALI device includes:

- Easy-to-understand user control with intuitive design
- Out-of-the-box set-up, no commissioning needed
- Color wheel for color change from 2700K to 6500K
- Dimming to 0.1% (255 Steps)
- Six preset colors (2700K, 3000K, 3500K, 4000K, 5000K, 6500K)
- Must use DALI driver, consult factory to control non-Prudential Ltg Tunable White fixtures
- Control one (1) zone - up to 30 drivers
(Consult factory for fixture quantity dependant upon fixture type, size & output)

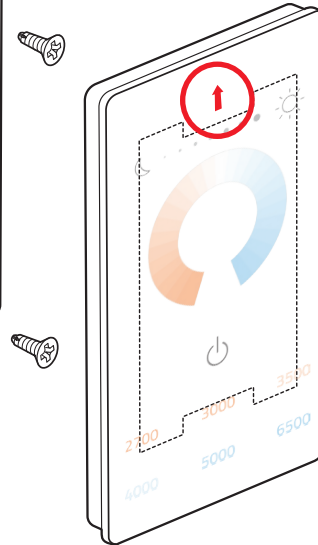
PRUTune + EMHE: — Prutune does not have memory

- Once normal power is restored, the controller sends a signal of 100% intensity and 6500K CCT

EXPLODED VIEW



Ensure arrows are aligned when assembling 'Pru wall device'



MicroWashPro™ | Asymmetric Wall Wash

Integral Driver



PRUDENTIAL LTG.

PRULITE.COM 213.746.0360

LM79 & TM30 DATA:

	MEASURED CCT	MEASURED LUMENS	CRI	R9	DuV	SPD	TM30 — COLOR VECTOR	TM30 — COLOR DISTORTION
LED27	2680	80%	93	58	0.001		 89 Rf	 97 Rg
LED3	3042	95%	82	6	0.001		 81 Rf	 92 Rg
LED3-90	3016	85%	93	61	0.000		 88 Rf	 96 Rg
LED35	3482	100%	82	3	0.002		 81 Rf	 92 Rg
LED35-90	3417	85%	93	67	0.000		 88 Rf	 96 Rg
LED4	3952	102%	82	4	0.003		 81 Rf	 92 Rg
LED4-90	3882	85%	92	67	0.003		 87 Rf	 96 Rg
LED5-90	4889	85%	94	84	0.002		 86 Rf	 95 Rg

MicroWashPro™ | Asymmetric Wall Wash

Integral Driver



PRUDENTIAL LTG.

PRULITE.COM 213.746.0360

LM79 & TM30 DATA:

		MEASURED CCT	MEASURED LUMENS	CRI	R9	LED27	SPD	TM30 — COLOR VECTOR
BH3S&D	bios 3000K	2779	2758	87	81	0.003		
	BH3D SKY BLUE DIMMED	2715	2425	82	3	0.002		
BH35S&D	bios 3500K	3245	2919	85	87	0.003		
	BH35D SKY BLUE DIMMED	3061	2502	83	7	0.001		
BH4&D	bios 4000K	3624	2993	85	86	0.004		
	BH4D SKY BLUE DIMMED	3388	2585	83	5	0.002		
TH	LED27	2684	2456	92	57	0.0001		
	LED65	6061	3292	82	-1	0.006		
TH2	LED22	2209	2112	92	52	0.0005		
	LED50	4796	2789	93	77	0.004		
CH	2700K	2632	2469	82	50	0.003		
	3500K	3388	2585	83	5	0.002		
	4000K	3977	2682	83	29	0.003		
	5000K	5233	2823	84	21	0.003		