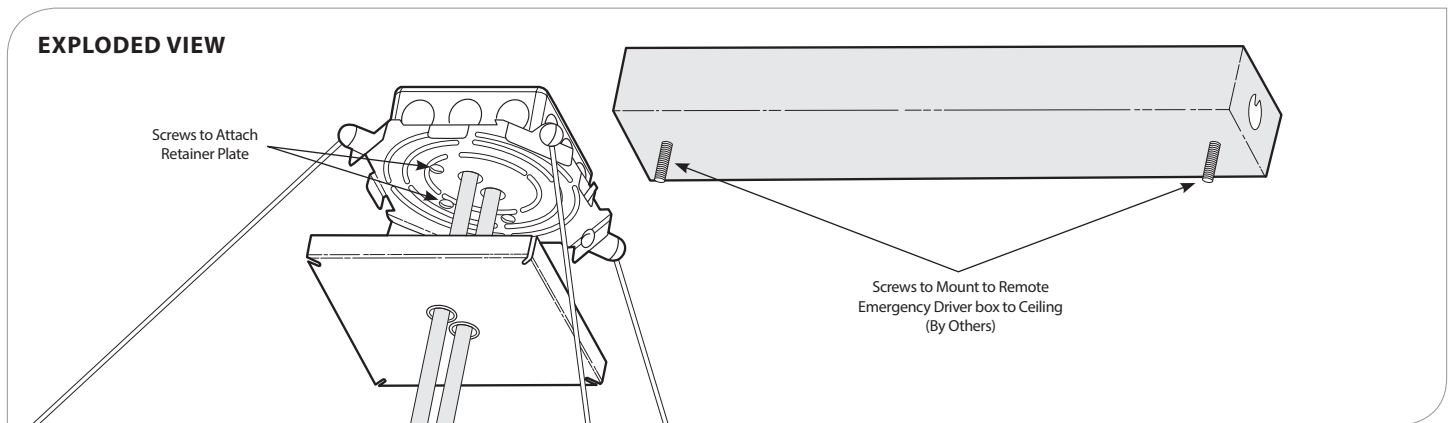
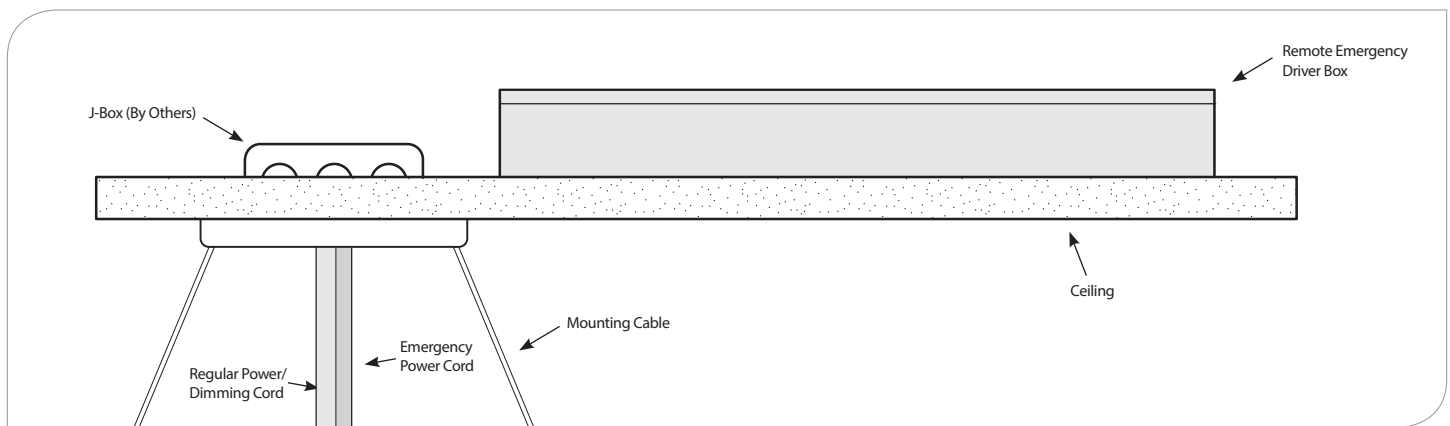




GENERAL INSTALLATION

1. Mount fixture to junction box and ceiling as normal
2. Mount remote emergency driver to ceiling with 2x screws
3. Connect wires from emergency power cord to remote emergency driver box with plenum rated conduit according to emergency driver directions

NOTE: Max distance from emergency driver to LED boards is 25'



WARNING: Ground fixture in according with local and national electrical codes. Failure to do so may result in serious personal injury.

