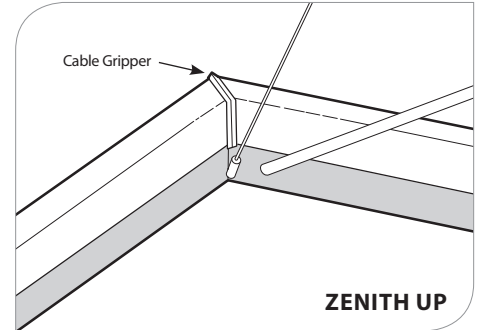
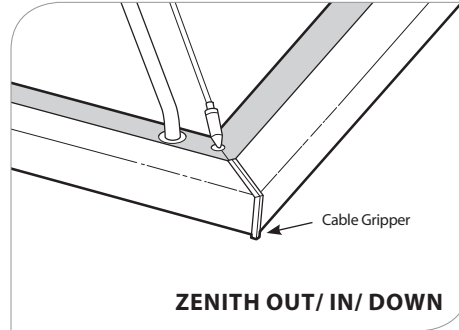




### MOUNTING

1. Screw cable grippers into corner holes until they bottom out.
2. Follow separate cable mounting instruction for ceiling.



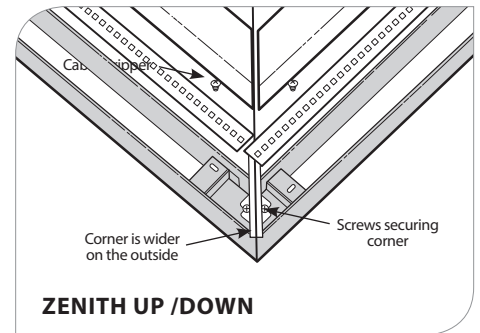
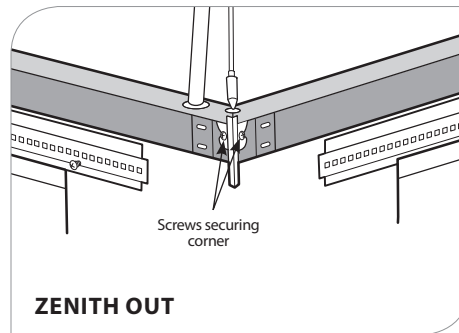
### REMOVING CORNERS

#### ZENITH OUT/ UP/ DOWN

1. Remove lense and covers from both adjacent sides.
2. Unscrew 2x screws holding in corner

#### ZENITH IN

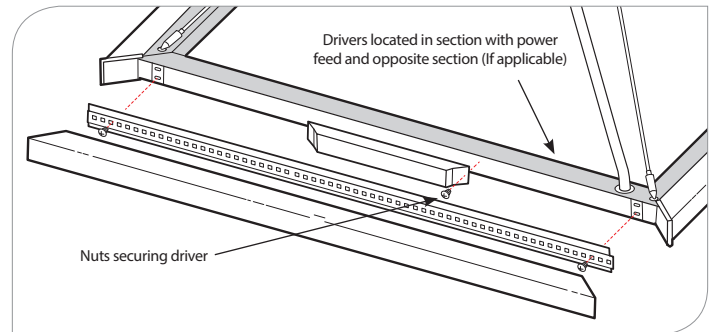
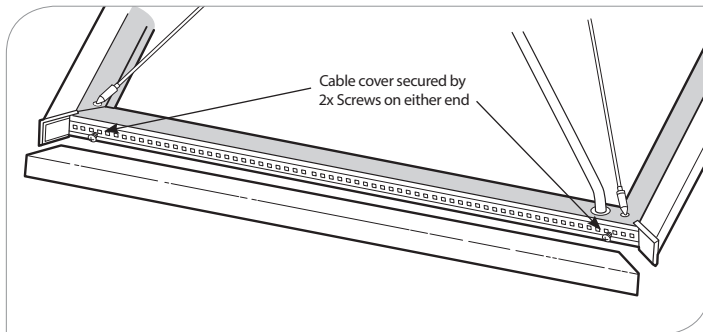
3. Remove lense and covers from both adjacent sides.
4. Unscrew 2x screws holding in corner



### REMOVING COVERS

To remove covers to service LED boards or drivers.

1. Unsnap lens section.
2. Unscrew 2x screws holding cover down.



**WARNING:** Ground fixture in according with local and national electrical codes. Failure to do so may result in serious personal injury.

